

OWNER'S MANUAL

DIAMONDSHINE Concrete Honing & Polishing 24" & 30"



MADE IN USA



Green Cleaning
Meets U.S. Green Building
Council LEED IEQ Credit
3.4 Requirements

IMPORTANT SAFETY INSTRUCTIONS

READ and UNDERSTAND all instructions and warnings before operating this machine!



WARNING

Do not store or use gasoline or other flammable vapors and liquids in the vicinity of this machine. Always store equipment away from heater rooms, boilers, gas-fired water heaters or any other source of open flame. Propane is highly flammable. Always store LPG tanks (full or empty) outside in a secure, well ventilated area.

NO SMOKING, NO SPARKS, NO FLAMES NEAR UNIT OR LPG TANK.

Operate only in well ventilated areas. Buildings must be provided with:

- A. *A continuous mechanical ventilation that removes the products of combustion to the outdoors of not less than 300 CFM for each 10,000 BTUH or fraction thereof; or*
- B. *Natural ventilation of not less than 300 CFM for each 10,000 BTUH input or fraction thereof, based on a maximum of one-quarter air exchange per hour for the net building volume.*

If you smell LPG gas, stop the unit and check for leaks. Also open windows, don't touch electrical switches, and extinguish any open flames. Call your gas supplier if no leaks are found.

Do not adjust the fuel system without the proper analysis equipment.



WARNING

Never tilt the equipment on its side for pad, belt or brush replacement. It is designed to tilt back on its rear wheel and handle for maintenance and repair. A second person should aid in lifting and securing equipment for repair.

Never tilt & transport while engine is running.

Keep hands and feet clear of all moving parts.

Never try to replace parts or repair equipment with machine running.

Turn the gas off at the tank to kill the engine.

Remove the LPG tank and store it in an approved area when not in use. A "NO SMOKING" sign should be permanently displayed at the storage area.

Always vent an over-full bottle using the tank's

bleed valve, out of doors away from all closed places and away from any fire or flame producing device.

This machine is designed for wet use only. Dry use will void warranty.

Keep all objects clear of the exhaust system during and after operation.

Do not leave this machine unattended while the engine is running.

Do not operate equipment in one location for more than a few seconds. Damage to floor surface can occur.

Always store equipment away from possible damage by falling objects in warehouse-type areas. Always store LPG tanks outside in a secure, well-ventilated area.

When the LPG tank is attached to the machine and not running, the operator should not leave the machine unattended except for short periods of time such as rest stops, washroom or meal stops.

The operator must completely understand all instructions, warnings and operating procedures before using this machine.

This machine must be maintained in accordance with this manual's recommended maintenance instructions and the engine manufacturer's recommended maintenance procedures. Failure to do so may cause damage to the machine, equipment, furniture, buildings or personal injury.

A maintenance record should be kept indicating date of service, hours on engine, and work done.

TRANSPORT & PREPARATION



WARNING

Follow the instructions given in this booklet, the Engine's Owners Manual and the training given by your supervisor for the safe operation of this machine. Failure to do so can result in personal injury and/or damage to the machine or property.

DO NOT OPERATE THIS MACHINE IN AN EXPLOSIVE ENVIRONMENT!

THIS PROPANE MACHINE IS INTENDED FOR COMMERCIAL USE.

TRANSPORTING THE MACHINE

NEVER TRANSPORT WHILE ENGINE IS RUNNING.

To transport the machine it is necessary to tilt the machine back on the rear wheels so the brushes

(or pads) are not in contact with the floor. In this “balanced” position the equipment can be readily moved from site to site.

A. Tilting the Machine

This is a heavy piece of equipment. Caution should be used in tilting the machine. This can be accomplished safely and easily as follows:

1. One man method:

- Standing behind the machine, place one foot on the brace at the base of the propane tank.
- Place one hand on the handle and the other on the “T” frame handle support.
- While pulling and leaning back, lift the other foot off the floor and extend it directly behind. This will shift the balance and naturally tilt the equipment to transport or full “tilt back” position without undue strain.

2. Two man method:

Two people side by side perform the above procedure simultaneously. This is a safer, more comfortable technique to use until more experience is gained with the equipment.



WARNING

Do not use “T” handle when attempting to tilt back machine for service or cleaning. The “T” handle is designed for control during operation only.

Do not use excessive vertical pressure.

B. Position for Maintenance & Cleaning

To perform certain maintenance & cleaning tasks or to change brushes the machine should be placed in the full “tilt back” position.

PREPARATION

Pillow block bearing must be lubricated before every use.

A. Check that the suggested maintenance schedule has been observed.

All machines are equipped with a multi-function maintenance meter. The functions include the following: hour meter, service alert and tachometer. (See Engine Maintenance Meter instructions pg. 4).

B. Check the engine oil before every operation.

Make sure the machine is level when checking the oil. Always take 2 readings of the dipstick before adding oil. If the oil level is below the full mark, add just enough oil to the engine to bring the oil level up to the full mark. **Never over fill.** Follow the guidelines in your Engine Owners Manual. Check for foreign material on the dipstick.

C. Properly fill and check your LPG tank and all LPG fuel lines for leaks.

- Every tank has been pressure and leak tested. However, every time a tank is filled and/or connected to the machine it should be soap tested. All LPG lines must be pressurized and every inch of line and connections must be sprayed. If you find a leak, make the proper repairs before operating the machine. NOTE: The connection and disconnection of the LPG tank must be done in a well ventilated area with NO source of ignition within 10 feet (3 meters) from the point of connection.
- Never over fill the LPG tank!** The LPG tank is designed to hold just 20 pounds of propane. Make sure to weigh the tank as it is being filled. The gross weight of a full tank should not exceed 48 pounds. If while operating the machine, you notice frost forming on the LPG lines or the regulator, your tank has been over filled. If you continue to operate the machine in this condition, damage will occur. The excess propane in the tank must be removed before normal operations resume. The bleeding of a propane tank should be done in a safe location outside the building. In some cases the regulator must defrost before restarting the engine.

D. Connecting the high pressure hose to the LPG Tank:

Make sure the couplers are in line and screwed together hand tight. If this is not done properly, fuel will not pass through to the regulator. Never complete the connection of the tanks to the machine by using a wrench. Always do it by hand. Listen for the rush of fuel to the lock-out device when you open the tank valve. If you hear this, it indicates a good connection has been made at the tank.



WARNING

NEVER CHANGE OR ALTER THE PROPANE CONTROL EQUIPMENT.

SAFETY

Provide and use ear protection during operation.

Never let an untrained person operate or perform repairs on the machine. They may hurt themselves, damage the floor or the equipment.

Engine speed not to exceed 3400 RPM.

This machine is not suitable for picking up hazardous dust.



WARNING

Do not use on surfaces with a gradient exceeding 2%.

STARTING THE ENGINE

A. Kawasaki with centrifugal clutch:

1. Open propane (LPG) tank valve (counter clockwise).
2. Turn the key to start position and move throttle towards fast position.
3. If engine does not start, release the key, then try again.
4. Equipment is supplied with a centrifugal clutch. When engine RPM is lower than 1800 RPM clutch will disengage; brushes/pads will stop.

B. Never tilt back machine while engine is running.

STOPPING THE ENGINE

Turn the propane tank valve clockwise to a closed position and turn the key OFF.

NOTE: The exhaust system will be very hot and takes several minutes to cool, so keep yourself and all materials clear.

OPERATING PROCEDURES

A. Transporting the machine

1. The tank should be securely fastened.
2. The tank valve must be closed.

B. Cleaning the equipment

1. Place machine in "tilt back" position.
2. Rinse unit between top of brushes and brush plate. Do not spray water into brush drive (above plate).
3. Rinse around splash skirt and body.

4. Return machine to operating position, then start engine and run machine briefly to expel any excess water.

C. Storing the machine and tank

1. The engine should be stopped properly and the tank valve closed.
2. Remove the LPG tank from the machine and store the tank in a well ventilated approved area.
3. Store your machine in a safe area: away from enclosed high heat, away from sparks or flames, and away from traffic lanes of heavy equipment.

MAINTENANCE

A. Pillow Block Bearing

The Pillow Block Bearing must be lubricated with grease before every use or every 4 hours of run time, whichever comes first, or warranty of Pillow Block Bearing will be voided.

B. Machine & engine maintenance

1. Refer to engine manufacturer's Owners Manual and comply completely with the instructions. Change the oil and filter according to the engine Owners Manual.
2. Keep a good service log on each machine with the date, hour meter reading, type(s) of service performed and the name of the person who performed them.
3. Clean the entire unit after each use. When cleaning the unit, check for possible loose nuts and bolts.

C. Engine Maintenance Meter

This multi-function meter acts as a preventive maintenance tool, which benefits you with increased fuel economy less down-time and longer engine life.

The meter's displays are:

Hour Meter: Displays total run hours when machine is off.

Tachometer: Indicates engine RPM during operation.

Service Alert: The display flashes to alert you to lube and change the oil at 25 hour intervals. The service alert only flashes during operation and it warns you to change the oil for only two hours. After the two hours is reached, the alert will automatically reset to the next 25 hour interval. Therefore, it is recommended that a separate maintenance log be kept to track oil changes.

**WARNING**

Remember that being safe is a full-time, every day job. Follow all information posted on the machine and the LPG tank.

Never allow anyone to operate this machine who has not read or cannot understand the given instructions.

D. Troubleshooting the electrical system

1. Check all wire connections for obvious problems. Remove LPG tank, then remove battery box cover. Check all connections visibly and physically. If any "loose", damaged or unconnected wires are noticed, replace or repair as needed.
2. Check the battery posts and wires. **Always wear a face shield, safety glasses and protective clothing when working around a battery.** The gases can be explosive and the acid is highly corrosive to metals, cloth and ALL HUMAN TISSUE (skin, eyes, etc.) If the battery post(s) are corroded, remove the wires and clean posts and wires. Applying some axle grease on the posts of the battery after they are cleaned will slow down the battery corrosion process.

If nothing obvious is noted, a more detailed investigation is warranted. Before any such troubleshooting begins, the following things should be done:

- a. Replace propane LPG tank with one from a machine that runs.
- b. Charge the battery or provide an absolute source of 12 volt DC power capable of 50 amperes total output. (A pair of good jumper cables from your car or truck battery will suffice.) Equip yourself with an inexpensive 12 volt test light.
- c. If the trouble seems to be in the electrical control equipment, you may disconnect the starter from the system so as to check the system without spinning the engine.
- d. Battery rundown. A common problem is letting the battery run down. What usually happens is that it takes the crew a few jobs to get used to the whole system, so the machine is stopped and started quite often. Key left in On position, when engine is turned off, will result in battery running down—dying.

E. Troubleshooting Main Drive Belts

If the engine runs, but the drive unit will not engage,

this is usually related to the main drive belts or belt tension spring. Without removing the drive unit you can check and fix the following:

1. Remove the four (4) 3/8" bolts holding the belt cover to the body. Remove the one (1) 3/8" bolt holding the muffler bracket to the belt cover. Check if belt tension spring is attached to the tension spring mount bolt on the body.
2. Check to see if belts have come off of input pulley or centrifugal clutch. If so, install belts back on the pulley. Note: If belts come off again they are probably worn or stretched and need replacement.
3. **To replace engine drive belts:**
 - a. **Loosen** the three (3) 1/2" bolts on the right hand side of the upper deck approximately 5 turns. **Be sure at least half of the bolt threads remain engaged.**
 - b. Lift front of machine so that it sits in tiltback position.
 - c. Detach tension spring from tension spring mount bolt and remove old belts.
 - d. Slide both new belts between input boom pulley and body.
 - e. Install first belt in pulley groove closest to the floor on the centrifugal clutch. Install second belt in the remaining groove.
 - f. Work belt that is closest to the floor around the tension pulley and input boom pulley. Repeat procedure with second belt.
 - g. Reattach tension spring to mount bolt and tighten three (3) 1/2" bolts.
 - h. Slide belt cover into place and hand tighten four (4) 3/8" bolts. Start one 3/8" bolt into muffler bracket and belt cover.
 - j. Then tighten all five (5) 3/8" bolts and lower machine into operating position.
4. **To change the brush drive belt:** Remove three (3) bolts on the right hand side of upper deck (use a 3/4" wrench). Slowly raise front of machine off the floor. Remove input boom pulley and boom arm from brush drive by using the two 3/4" wrenches—sliding them into the slots in the boom pulley shaft to unscrew the pulley from the shaft. Remove three (3) bolts from bottom side of brush drive and split brush drive top pan and brush drive plate. Remove worn belt and replace. It is a good idea at this time to check the tension spring, bearings and idler for damage and replace them if necessary.

KAWASAKI ENGINES

Tune-up Specifications

ITEM	SPECIFICATIONS
Ignition Timing	Unadjustable
Spark Plugs: Gap	Champion – RCJ8Y 0.75 mm (0.30 in)
Low Idle Speed	1500 RPM
High Idle Speed	3000 RPM
Valve Clearance	IN: 0.10-0.15 mm (0.004-0.006 in) EX: 0.10-0.15 mm (0.004-0.006 in)

NOTE: High and low idle speeds may vary depending on the equipment on which the engine is used. Refer to the equipment specifications.

Engine Oil

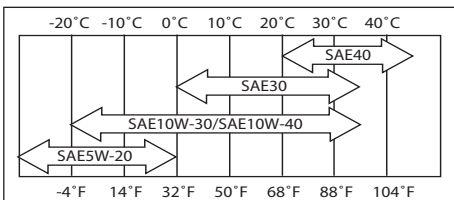
Check the engine oil daily before starting the engine otherwise shortage of the engine oil may cause serious damage to the engine such as seizure.

- Place the engine on a level surface. Clean the area around the oil gauge before removing it.
- Remove the oil gauge and wipe it with a clean cloth.
- Pour the oil slowly to “FULL” mark on the oil gauge.
- Insert the oil gauge into the tube WITHOUT SCREWING IT IN.
- Remove the oil gauge to check the oil level. The oil level should be between “ADD” and “FULL” marks. Do not overfill.
- Install and tighten the oil gauge.

Recommended Oils

The following engine oils are recommended. API Service Classification: SF, SG, SH, or SJ.

Oil Viscosity



Choose the viscosity according to the temperature as follows:

NOTE: Using multi grade oils (5W-20, 10W-30, and 10W-40) will increase oil consumption. Check oil level more frequently when using them.

Engine Oil Capacity

FH541V 1.7 L (1.8 US qt.) when oil filter is removed

Oil Change

Change oil after **first 8 hours of operation**. Thereafter change oil **every 50 hours**.

- Run the engine to warm oil.
- Be sure the engine (equipment) is level.
- Stop the engine.
- Open the oil drain valve and drain the oil into suitable container while engine is warm.

⚠ WARNING!

Hot engine oil can cause severe burns. Allow engine temperature to drop from hot to warm level before draining and handling oil.

Oil Drain Plug

- Close the oil drain valve.
- Remove oil gauge and refill with fresh oil (See “Recommended Oils”).
- Check the oil level (see “Preparation” on page 3 for oil level check).

Oil Filter Change

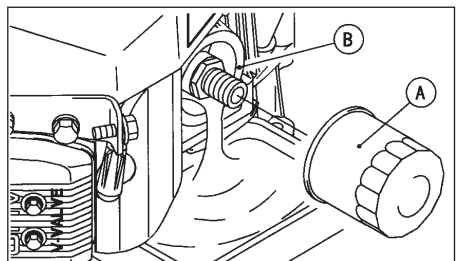
- Change the oil filter **every 100 hours** of operation.

⚠ WARNING!

Hot engine oil can cause severe burns. Allow engine temperature to drop from hot to warm level before attempting to remove oil filter.

CAUTION! Before removing the oil filter, place a suitable pan under filter connection.

- Drain engine oil into a suitable container.
- Rotate the oil filter (A) counterclockwise to remove it.
- Coat a film of clean engine oil on seal of new filter.
- Install new filter rotating it clockwise until seal contacts mounting surface (B). Then rotate filter 3/4 turn more by hand.



ENGINE TROUBLESHOOTING

COMMON PROBLEMS & PROBABLE CAUSES

SOLUTIONS

Engine cranks but will not start

- Fuel cylinder is empty
- Shutoff valve is closed
- Clogged, obstructed, kinked or cut fuel or vacuum line
- Spark plug lead disconnected
- Faulty choke or throttle settings
- Faulty ignition coil
- Faulty kill switch
- Faulty regulator

- Refill cylinder*
- Open valve*
- Remove obstruction or replace line*
- Connect lead to spark plug*
- Set controls to correct positions*
- Replace coil*
- Replace switch*
- Replace regulator*

Engine starts hard

- Faulty choke or throttle settings
- Clogged, obstructed, kinked or cut fuel or vacuum line
- Faulty regulator
- Low compression

- Set controls to correct position*
- Remove obstruction or replace line*
- Replace regulator*
- Have engine serviced by a trained technician*

Engine will not crank

- Battery is discharged
- Loose or faulty connections or wires
- Faulty ignition key switch or starter control switch

- Charge or replace battery*
- Tighten, repair or replace wires*
- Repair or replace switch(es)*

Engine overheats

- Incorrect fuel settings
- Air intake filter screen or cooling fins clogged
- Low oil level

- Have engine serviced*
- Clean and clear debris or replace filter*
- Check and add oil*

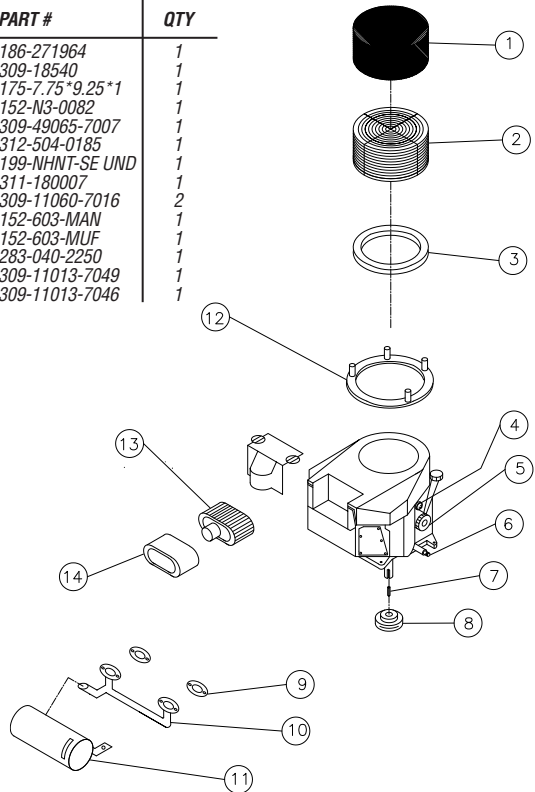
Exhaust emissions or propane odor

- Carburetor or regulator setting incorrect
- Dirty or clogged air filter
- Choke engaged
- Loose fittings, clamps or hoses cracked, hoses cut or leaking

- Have engine serviced by a trained technician*
- Replace air filter*
- Adjust to correct settings*
- Tighten or seal; check with soap and water solution, if bubbles appear, part is still leaking; replace*

KAWASAKI 603cc ENGINE PARTS for 24" & 30"

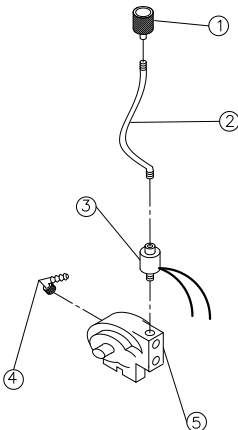
PART #	DESCRIPTION	PART #	QTY
1	FOAM HAT FILTER	186-271964	1
2	DEBRIS SCREEN	309-18540	1
3	FOAM HAT SEAL	175-7.75*9.25*1	1
4	OIL PRESSURE SWITCH	152-N3-0082	1
5	OIL FILTER	309-49065-7007	1
6	OIL DRAIN VALVE	312-504-0185	1
7	1/4 X 1 1/4 KEY	199-NHINT-SE UND	1
8	CENTRIFUGAL CLUTCH	311-180007	1
9	EXHAUST MANIFOLD GASKET	309-11060-7016	2
10	EXHAUST MANIFOLD	152-603-MAN	1
11	CATALYTIC MUFFLER	152-603-MUF	1
12	DEBRIS SCREEN ADAPTER	283-040-2250	1
13	AIR FILTER ELEMENT	309-11013-7049	1
14	FOAM PRE FILTER	309-11013-7046	1



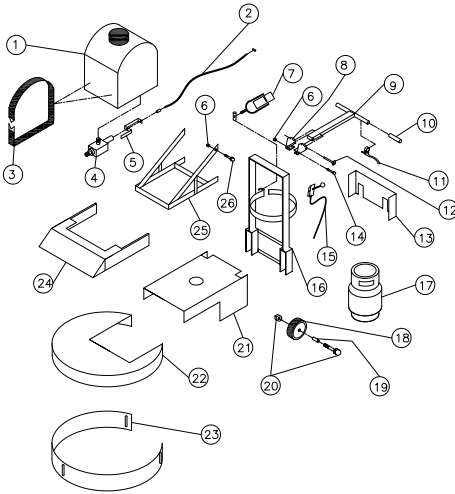
KAWASAKI 12 VOLT START FUEL SYSTEM

PARTS LIST FOR BUFFER FUEL SYSTEM

PART #	DESCRIPTION	PART #	QTY
1	QUICK COUPLER	152-700	1
2	20" LPG HOSE	267-P5561-0410	1
3	FUEL LOK-OUT (12 VOLT)	152-N3-0173-1	1
4	90° FITTING	177-116B04	1
5	FUEL REGULATOR (T60-E)	152-500	1

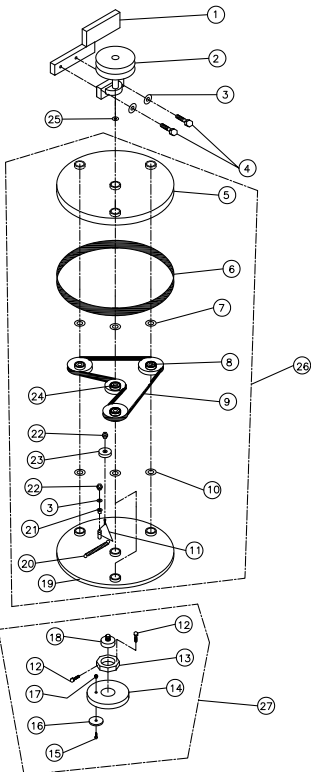


FRAME PARTS FOR 24"



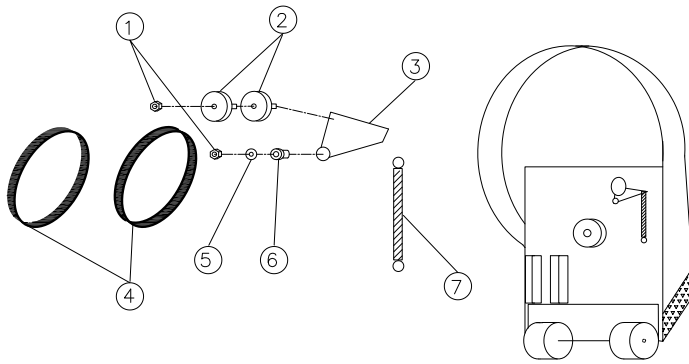
PART #	DESCRIPTION	PART #	QTY
1	SOLUTION TANK	010-971MGT	1
2	VALVE CABLE	012-962C	1
3	SOLUTION TANK STRAP	010-MG-STRAP	2
4	SOLUTION TANK VALVE	012-52-5270	1
5	VALVE BRACKET	283-76-9701	1
6	3/8-16 LOK-NUT	164-22834	5
7	TOGGLE & NUT	284-TB2-60	1
8	LEFT BRACKET	283-025-400	1
9	RIGHT BRACKET	283-025-500	1
10	T-HANDLE	283-025-600	1
11	HANDLE GRIP	224-1	2
12	SOLUTION TANK LEVER	314-J208PA-L7/8	1
13	LOK-PIN	625-98404A385	1
14	KICK PLATE	283-010-04	1
15	3/8-16*3 BOLT	164-10131	1
16	THROTTLE CABLE	196-60314	1
17	HANDLE ASSEMBLY	010-971CCH	1
18	20 # LP CYLINDER	293-20#STLMF	1
19	6" WHEEL	156-XA-06251-12	2
20	SPANNER BUSHING	156-ZF-0812-39	2
21	AXEL & NUT	156-ALBZJ085408	2
22	BODY	288-01024S-01	1
23	BRUSHDRIVE COVER	283-01024-02	1
24	SPLASH SKIRT	010-971SPF	1
25	BELT COVER	283-01024-03	1
26	SOLUTION TANK BRKT.	010-971TB	1
27	3/8-16*3/4 BOLT	164-10111	4

DRIVE ASSEMBLY FOR 24"



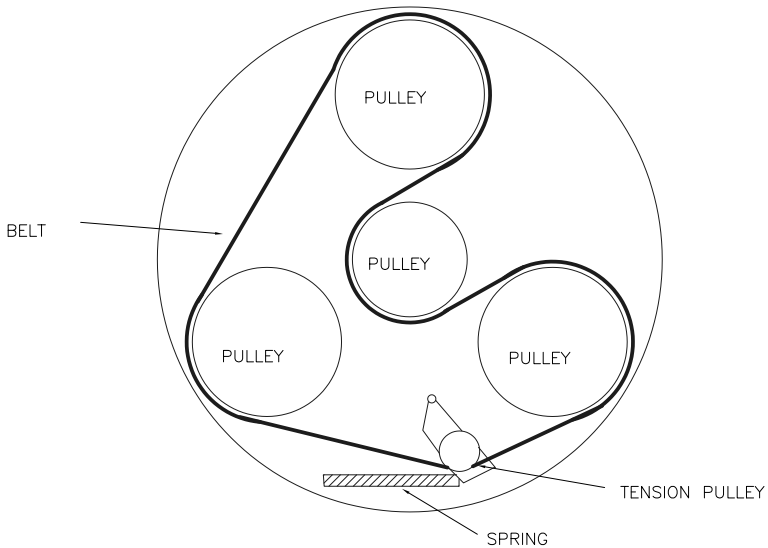
PART #	DESCRIPTION	PART #	QTY
1	HEAD SUPPORT BOOM	01024-962B	1
2	INPUT BOOM PULLEY	0105-962S1	1
3	5/16 FLAT WASHER	164-20156	3
4	3/8-16*2 BOLT	164-10123	2
5	24" TOP PAN	01024-962MS	1
6	NEOPRENE SEAL	175-.25*1.75CCN	7
7	BELLEVILLE WASHER	164-20250	5
8	OUTER PAN PULLEY	010-962S3-SC	3
9	BELT	113-BB68	1
10	NILOS RING SEAL	113-6205ZJV	3
11	BELT TENSIONER	01024-962II	1
12	3/8-16*1.25 CAP SCREW	164-23307	18
13	FLEX ADAPTER	025-LJFLEX	3
14	10" STEEL PLATE	283-010-STN	3
15	5/16-18*1.25 CAP SCREW	164-132DA23020P	12
16	DISC HOLDER	010-DIA-CUP	12
17	5/16-18 HEX NUT	164-22002	12
18	SHAFT	107-STN	3
19	24" STEEL PLATE	01024-962MP	1
20	TENSION SPRING	173-7501-DWG	1
21	NYLON BUSHING	196-71200	1
22	3/8-16 HEX NUT	164-22004	2
23	TENSION PULLEY	188-V42B	1
24	CENTER PAN PULLEY	010-962S2-SC	1
25	BOOM PULLEY WASHER	164-58114F	1
26	BRUSH DRIVE UNIT	01024-953B-SC	1
27	DRIVE BLOCK ASSEM.	010-962STN	3

BELT TENSIONER PARTS FOR 24"

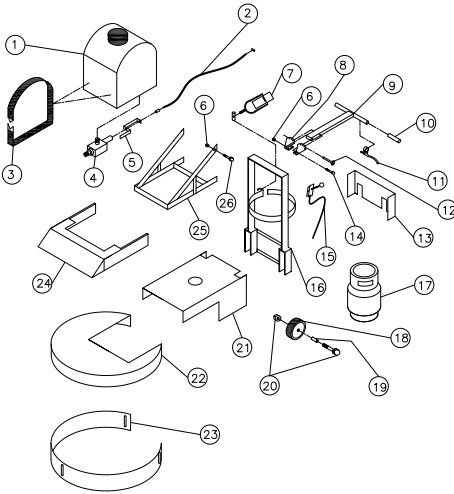


PART #	DESCRIPTION	PART #	QTY
1	3/8-16 HEX NUT	164-22004	2
2	TENSION PULLEY	188-V42B	2
3	BELT TENSIONER	010-962IS	1
4	BELT	113-L538	2
5	5/16 FLAT WASHER	164-20156	1
6	NYLON BUSHING	196-71200	2
7	TENSION SPRING	173-7599-DWG	1

DRIVE BELT DIAGRAM FOR 24"

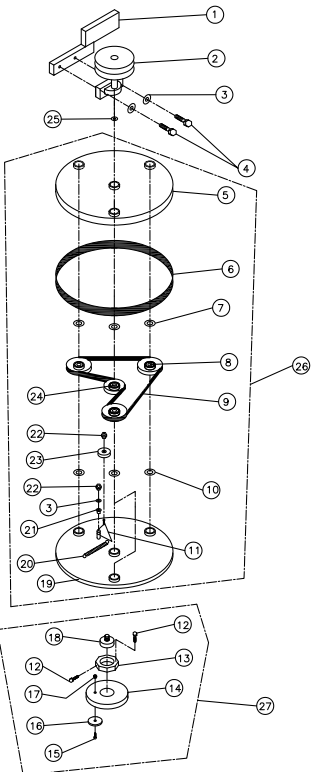


FRAME PARTS FOR 30"



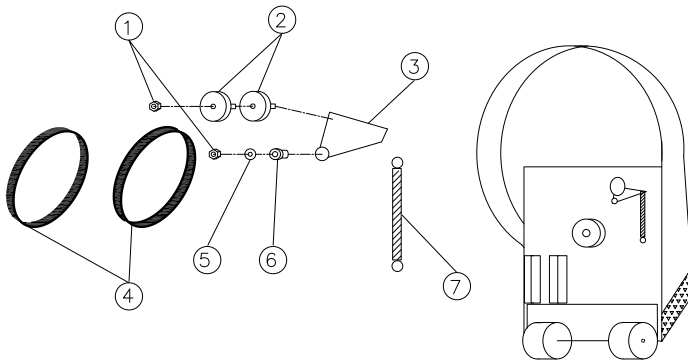
PART #	DESCRIPTION	PART #	QTY
1	SOLUTION TANK	010-971MGT	1
2	VALVE CABLE	010-MG-C	1
3	SOLUTION TANK STRAP	010-MG-STRAP	2
4	SOLUTION TANK VALVE	012-52-5270	1
5	VALVE BRACKET	283-76-9701	1
6	3/8-16 LOK-NUT	164-22834	5
7	TOGGLE & NUT	284-TB2-60	1
8	LEFT BRACKET	283-025-400	1
9	RIGHT BRACKET	283-025-500	1
10	ADJUSTMENT HANDLE	283-025-600-STN	1
11	HANDLE GRIP	224-1	2
12	SOLUTION TANK LEVER	314-J208PA-L7/8	1
13	LOK-PIN	625-9840A4385	1
14	KICK PLATE	283-010-04	1
15	3/8-16*3 BOLT	164-10131	1
16	THROTTLE CABLE	196-60314	1
17	HANDLE ASSEMBLY	010-971CCH	1
18	20 # LP CYLINDER	293-20#STLMF	1
19	6" WHEEL	156-XA-06251-12	2
20	SPANNER BUSHING	156-ZF-0812-39	2
21	AXEL & NUT	156-ALBZJ085408	2
22	BODY	288-010-01	1
23	BRUSHDRIVE COVER	283-010-02	1
24	SPLASH SKIRT	010-971SPF	1
25	BELT COVER	283-010-03	1
26	SOLUTION TANK BRKT.	010-971TB	1
27	3/8-16*3/4 BOLT	164-10111	4

DRIVE ASSEMBLY FOR 30"



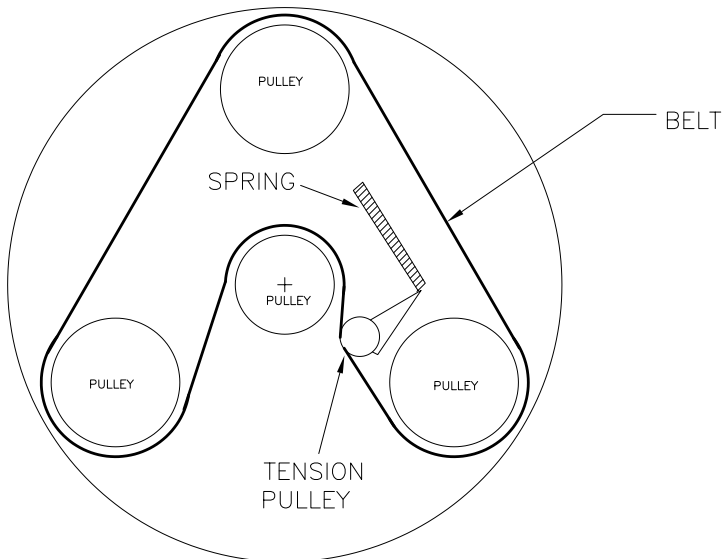
PART #	DESCRIPTION	PART #	QTY
1	HEAD SUPPORT BOOM	010-962BPF	1
2	INPUT BOOM PULLEY	010-962S1-STN	1
3	5/16 FLAT WASHER	164-20156	3
4	3/8-16*2 BOLT	164-10123	2
5	30" TOP PAN	010-962MS	1
6	NEOPRENE SEAL	175-.25*1.75CCN	10
7	BELLEVILLE WASHER	164-20250	5
8	OUTER PAN PULLEY	010-962S3-SC	3
9	BELT	113-BB81	1
10	NILOS RING SEAL	113-6205ZJV	3
11	BELT TENSIONER	010-962II	1
12	3/8-16*1.25 CAP SCREW	164-23307	18
13	FLEX ADAPTER	025-LJFLEX	3
14	10" STEEL PLATE	283-010-STN	3
15	5/16-18*1.25 CAP SCREW	164-132DA23020P	12
16	DISC HOLDER	010-DIA-CUP	12
17	5/16-18 HEX NUT	164-22002	12
18	SHAFT	107-STN	3
19	30" STEEL PLATE	010-962MP	1
20	TENSION SPRING	173-7599-DWG	1
21	NYLON BUSHING	196-71200	1
22	3/8-16 HEX NUT	164-22004	2
23	TENSION PULLEY	188-V42B	1
24	CENTER PAN PULLEY	010-962S2-SC	1
25	BOOM PULLEY WASHER	164-58114F	1
26	BRUSH DRIVE UNIT	010-953B-SC	1
27	DRIVE BLOCK ASSEM.	010-962STN	3

BELT TENSIONER PARTS FOR 30"



PART #	DESCRIPTION	PART #	QTY
1	3/8-16 HEX NUT	164-22004	2
2	TENSION PULLEY	188-V42B	2
3	BELT TENSIONER	010-962IS	1
4	BELT	113-L538	2
5	5/16 FLAT WASHER	164-20156	1
6	NYLON BUSHING	196-71200	2
7	TENSION SPRING	173-7599-DWG	1

DRIVE BELT DIAGRAM FOR 30"



NOTES

NOTES

DIAMONDSHINE WARRANTY

This quality product is warranted to be free from defects in workmanship and materials. The warranty is limited as follows:

Component	Term of Warranty
Engine	2 yrs from engine manufacturer
Fuel System	1 yr
LP Tank	1 yr on valve, 3 yrs on cylinder from date of mfg.
Body Parts	1 yr
Battery	1 yr from battery mfg.
Centrifugal Clutch	1 yr
Bearings	6 months
Drive Blocks	6 months

The warranty does not apply to certain consumable or wear parts such as:

*Brushes
Belts
Engine tune up parts*

All engines are warranted by the manufacturer (Kawasaki) for a period of two years when engine maintenance schedules are followed.

Aztec Products, Inc. agrees, at its discretion, to repair or replace at its own expense any product or part(s) which examination proves to be defective in workmanship or materials provided that the purchaser notifies Aztec Products, Inc. directly within the warranty period and follows the Return Goods Policy. Engine repairs may be performed at engine manufacturer's service centers. For your closest center you may call the following number:

Kawasaki 616-949-6500

The warranty does not apply to damage or failure caused by abuse, misuse, neglect, disassembly, alteration, unauthorized modification, lack of proper maintenance, theft, or damage by freight carriers. The warranty applies to parts, labor and ground freight only. It does not cover incidental or consequential damages.

In order to obtain parts warranty, the following procedures must be followed:

- 1. Customer must call Aztec Products, Inc. for an RGA (Return Goods Authorization) Number.*
- 2. We maintain the serial number, date of shipment or sale, and customer name on each piece of equipment sold. If you were the purchaser, please reference that information on your request for replacement or repair. If you purchased the equipment through a distributor, please contact them first. If you are not satisfied, contact Aztec and give us the distributor name, purchase date, and the serial number of the product.*
- 3. The defective part must be returned via ground freight prepaid to Aztec Products, Inc. with an RGA number accompanied by a copy of the original purchase invoice. Aztec is not responsible for the cost of packaging inbound freight, nor inbound freight damage. Pack machine carefully.*
- 4. Only Aztec Products, Inc. or its authorized dealers may make warranty repairs on Aztec Products, Inc. products. Others do so at their own risk and expense.*
- 5. We also offer to do warranty related repairs free of charge at our facility. Arrangements must be made in advance as outlined above. We will not accept freight collect returns or returns that do not indicate the RGA number on the packing list.*

The need for proper maintenance and care for this product cannot be overstated. Poor maintenance, neglect or abuse can prove to be very expensive.

You have purchased a quality product. Each of its components has been tested and approved for use by Aztec Products, Inc. It is unlikely that you will ever have a warranty claim if you properly maintain our machine.

This warranty is non-transferable.

AZTEC PRODUCTS, INC.

201 Commerce Drive • Montgomeryville, PA 18936 • 800-331-1423 • Fax 215-393-4800