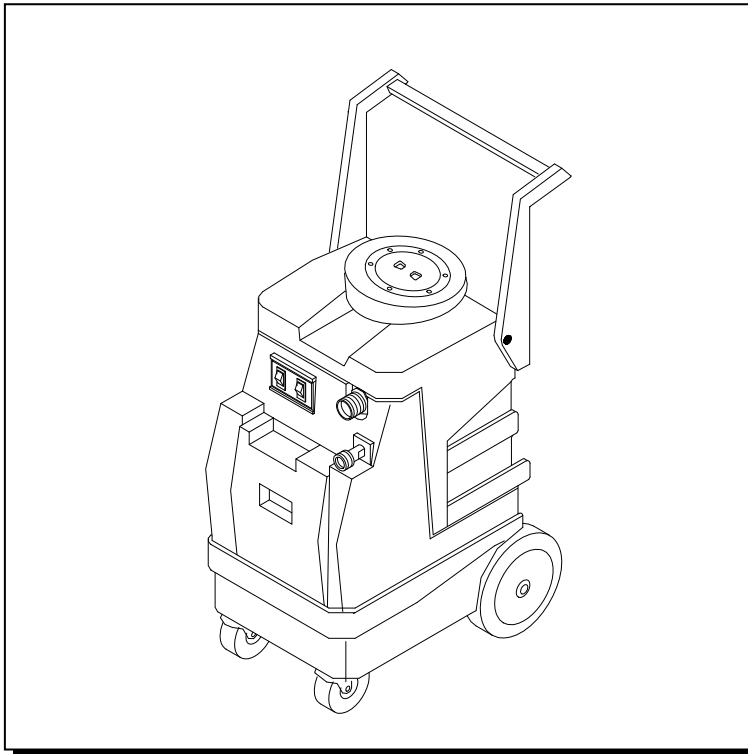


**CENTURY
400™**

PORTABLE EXTRACTOR



Operating Instructions

**MODELS: 406-135HMO
10070250**

**406-131HMO
10070230**

Read these instructions before using the machine



86036850 05/16/11

PRV NO. 980020

MACHINE DATA LOG/OVERVIEW

Model: _____

Date of Purchase: _____

Serial Number: _____

Sales Representative: _____

Address: _____

Phone Number: _____

OVERVIEW

The Sensei is an electric powered carpet extractor intended for commercial use. This appliance applies a cleaning solution to the carpet and then vacuums the soiled water back into the recovery tank.

Warranty Registration

Thank you for purchasing a C400 product. Warranty registration is quick and easy.
Your registration will allow us to serve you better over the lifetime of the product.

To register your product go to:

www.century400.com/support/warranty/register.php

For customer assistance:

1-800-776-2436

**CENTURY
400**

TABLE OF CONTENTS

<i>Machine Data Log/Overview</i>	2
<i>Table of Contents</i>	3

HOW TO USE THIS MANUAL

<i>How to use this Manual</i>	1-1
-------------------------------------	-----

SAFETY

<i>Important Safety Instructions</i>	2-1
<i>Hazard Intensity Level</i>	2-2
<i>Safety Label Location</i>	2-3
<i>Grounding Instructions</i>	2-4

OPERATIONS

<i>Technical Specifications</i>	3-1
<i>Controls</i>	3-2
<i>Machine Operation</i>	3-3
<i>Pre-Run Machine Inspection</i>	3-3
<i>Equipment Set-up</i>	3-3
<i>Emptying & Cleaning Tanks</i>	3-3

MAINTENANCE

<i>Daily Maintenance</i>	4-1
<i>Periodic Maintenance</i>	4-1
<i>Monthly Maintenance</i>	4-1
<i>Semi-annually</i>	4-1
<i>Lubrication</i>	4-1
<i>Storage</i>	4-1
<i>Vacuum Motor Replacement</i>	4-2
<i>Solution Pump Replacement</i>	4-2
<i>Pump Replacement Kit</i>	4-3
<i>Machine Troubleshooting</i>	4-4

GROUP PARTS LIST

<i>Pump and Heater Group (50 psi)</i>	5-1
<i>Pump and Heater Group (100 psi)</i>	5-3
<i>Recovery Tank Group w/ Heat</i>	5-5
<i>Solution Tank Group (50 & 100)</i>	5-7
<i>Vacuum Motor Group</i>	5-9
<i>Wiring Group</i>	5-11
<i>Suggested Spare Parts</i>	5-12
<i>Warranty</i>	5-13

HOW TO USE THIS MANUAL

This manual contains the following sections:

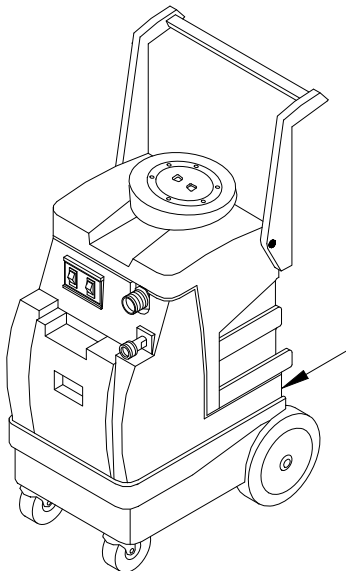
- HOW TO USE THIS MANUAL
- SAFETY
- OPERATIONS
- MAINTENANCE
- PARTS LIST

The HOW TO USE THIS MANUAL section will tell you how to find important information for ordering correct repair parts.

Parts may be ordered from authorized dealers. When placing an order for parts, the machine model and machine serial number are important. Refer to the MACHINE DATA box which is filled out during the installation of your machine. The MACHINE DATA box is located on the inside of the front cover of this manual.

Model: _____
Date of Purchase: _____
Serial Number: _____
Sales Representative: _____
Address: _____
Phone Number: _____

The model and serial number of your machine is on the front of the Access Panel.



The SAFETY section contains important information regarding hazard or unsafe practices of the machine. Levels of hazards are identified that could result in product or personal injury, or severe injury resulting in death.

The OPERATIONS section is to familiarize the operator with the operation and function of the machine.

The MAINTENANCE section contains preventive maintenance to keep the machine and its components in good working condition. They are listed in this general order:

- Maintenance
- Lubrication
- Vacuum Motor Replacement
- Solution Pump Replacement
- Troubleshooting

The PARTS LIST section contains assembled parts illustrations and corresponding parts list. The parts lists include a number of columns of information:

- **REF** – column refers to the reference number on the parts illustration.
- **PART NO.** – column lists the part number for the part.
- **PRV NO.** - reference number.
- **QTY** – column lists the quantity of the part used in that area of the machine.
- **DESCRIPTION** – column is a brief description of the part.
- **SERIAL NO. FROM** – column indicates the first machine the part number is applicable to. When the machine design has changed, this column will indicate serial number of applicable machine. The main illustration shows the most current design of the machine. The boxed illustrations show older designs.
- **NOTES** – column for information not noted by the other columns.

NOTE: If a service or option kit is installed on your machine, be sure to keep the KIT INSTRUCTIONS which came with the kit. It contains replacement parts numbers needed for ordering future parts.

IMPORTANT SAFETY INSTRUCTIONS

When using an electrical appliance, basic precaution must always be followed, including the following:

READ ALL INSTRUCTIONS BEFORE USING THIS MACHINE.

This machine is for commercial use.



WARNING:

To reduce the risk of fire, electric shock, or injury:

Connect to a **properly grounded outlet**. See Grounding Instructions.

Do not leave the machine unattended. Unplug machine from outlet when not in use and before maintenance or service.

Use only indoors. Do not use outdoors or expose to rain.

Do not allow machine to be used as a toy. **Close attention** is necessary when used by or near children.

Use only as described in this manual. Use only manufacturer's recommended components and attachments.

Do not use damaged electrical cord or plug. Follow all instructions in this manual concerning grounding the machine. If the machine is **not working properly**, has been dropped, damaged, left outdoors, or dropped into water, return it to an authorized service center.

Do not pull or carry machine by electrical cord, use as a handle, close a door on cord, or pull cord around sharp edges or corners.

Do not run machine over cord. **Keep** cord away from heated surfaces.

Do not unplug machine by pulling on cord. To unplug, grasp the electrical plug, not the electrical cord.

Do not handle the electrical plug or machine with wet hands.

Do not operate the machine with any openings blocked. Keep openings free of debris that may reduce airflow.

This machine is intended for cleaning carpet only.

Do not vacuum anything that is burning or smoking, such as cigarettes, matches, or hot ashes.

This machine is not suitable for picking up health endangering dust.

Turn off all controls before unplugging.

Machine can cause a fire when operating near flammable vapors or materials. Do not operate this machine near flammable fluids, dust or vapors.

This machine is suitable for commercial use, for example in hotels, schools, hospitals, factories, shops and offices for more than normal housekeeping purposes.

Maintenance and repairs must be done by qualified personnel.

If foam or liquid comes out of machine, switch off immediately.

SAVE THESE INSTRUCTIONS

HAZARD INTENSITY LEVEL

The following symbols are used throughout this guide as indicated in their descriptions:

HAZARD INTENSITY LEVEL

There are three levels of hazard intensity identified by signal words -**WARNING** and **CAUTION** and **FOR SAFETY**. The level of hazard intensity is determined by the following definitions:

⚠ WARNING

WARNING - Hazards or unsafe practices which COULD result in severe personal injury or death.

⚠ CAUTION

CAUTION - Hazards or unsafe practices which could result in minor personal injury or product or property damage.

FOR SAFETY: To identify actions which must be followed for safe operation of equipment.

Report machine damage or faulty operation immediately. Do not use the machine if it is not in proper operating condition. Following is information that signals some potentially dangerous conditions to the operator or the equipment. Read this information carefully. Know when these conditions can exist. Locate all safety devices on the machine. Please take the necessary steps to train the machine operating personnel.

FOR SAFETY:

DO NOT OPERATE MACHINE:

Unless Trained and Authorized.

Unless Operation Guide is Read and understood.

In Flammable or Explosive areas.

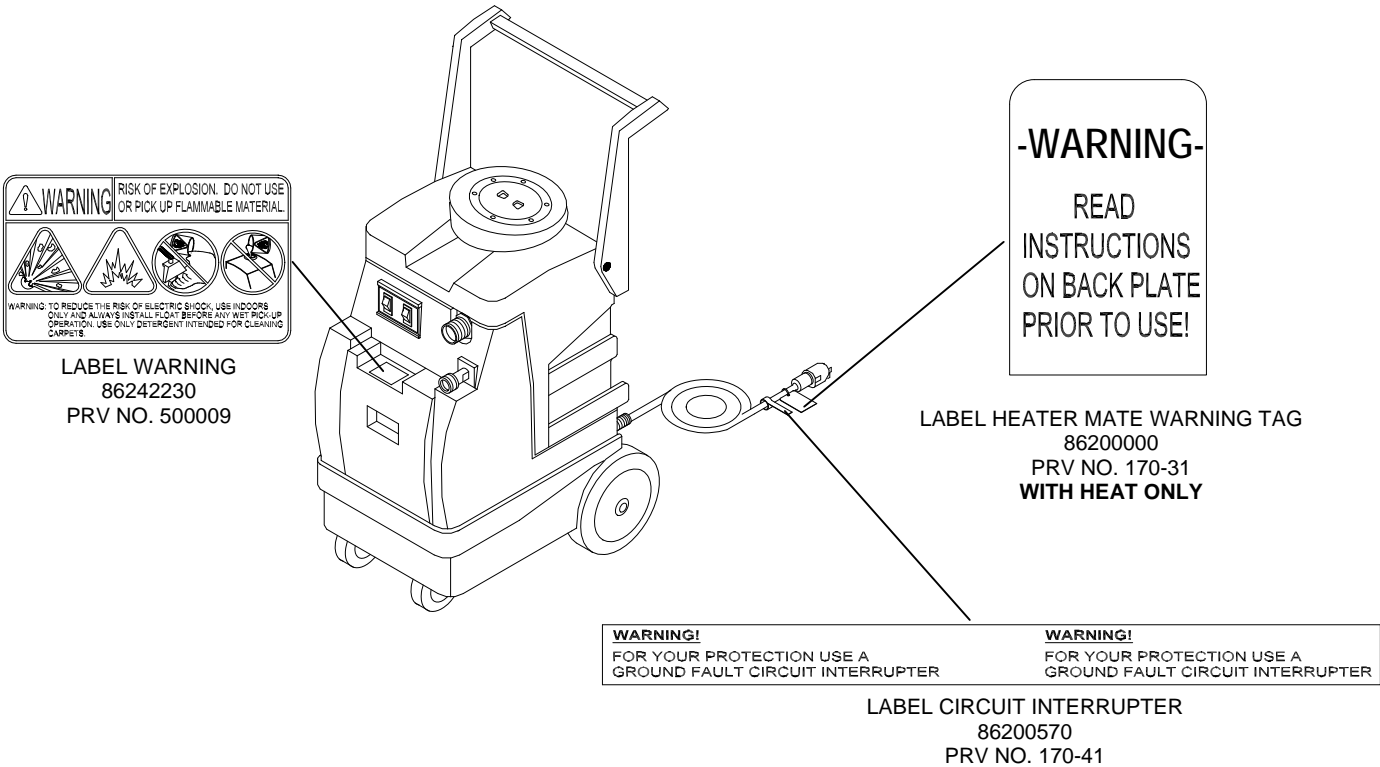
In areas with possible falling objects.

WHEN SERVICING MACHINE:

Avoid moving parts. Do not wear loose clothing; jackets, shirts, or sleeves when working on the machine.

SAFETY LABEL LOCATION

NOTE: These drawings indicate the location of safety labels on the machine. If at any time the labels become illegible, promptly replace them.



GROUNDING INSTRUCTIONS

THIS PRODUCT IS FOR COMMERCIAL USE ONLY.

ELECTRICAL:

In the USA this machine operates on a standard 15 amp 115V, 60 hz, A.C. power circuit. The amp, hertz, and voltage are listed on the data label found on each machine. Using voltages above or below those indicated on the data label will cause serious damage to the motors.

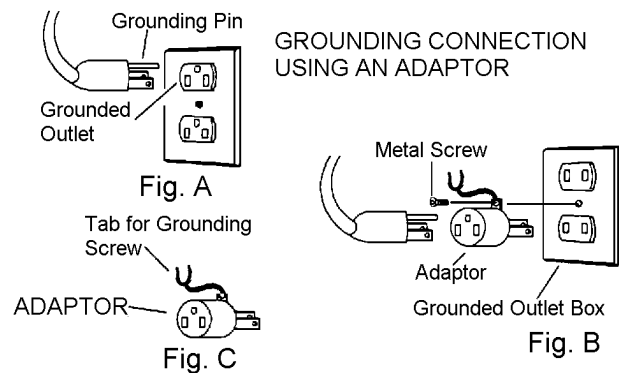
EXTENSION CORDS:

If an extension cord is used, the wire size must be at least one size larger than the power cord on the machine, and must be limited to 50 feet (15.5m) in length.

GROUNDING INSTRUCTIONS:

This appliance must be grounded. If it should malfunction or break down, grounding provides a path of least resistance for electric current to reduce the risk of electric shock. This appliance is equipped with a cord having an equipment-grounding conductor and grounding plug. The plug must be inserted into an appropriate outlet that is properly installed and grounded in accordance with all local codes and ordinances.

This appliance is for use on a nominal 120-volt circuit, and has a grounded plug that looks like the plug in "Fig. A". A temporary adaptor that looks like the adaptor in "Fig. C" may be used to connect this plug to a 2-pole receptacle as shown in "Fig. B", if a properly grounded outlet is not available. The temporary adaptor should be used only until a properly grounded outlet (Fig. A) can be installed by a qualified electrician. The green colored rigid ear, lug, or wire extending from the adaptor must be connected to a permanent ground such as a properly grounded outlet box cover. Whenever the adaptor is used, it must be held in place by a metal screw.

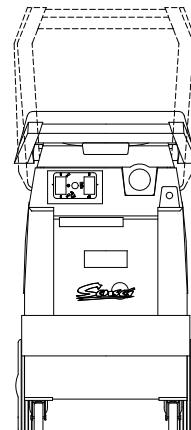
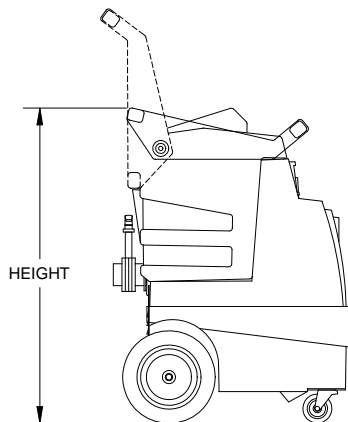
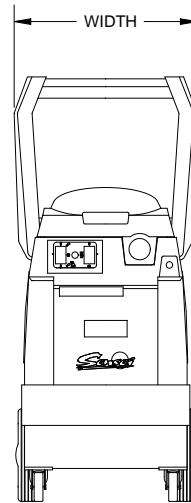
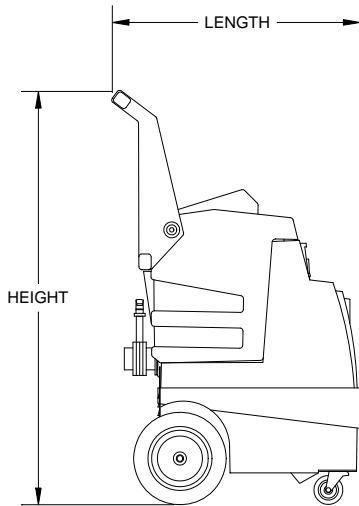


Note: Adaptors are not allowed in Canada.

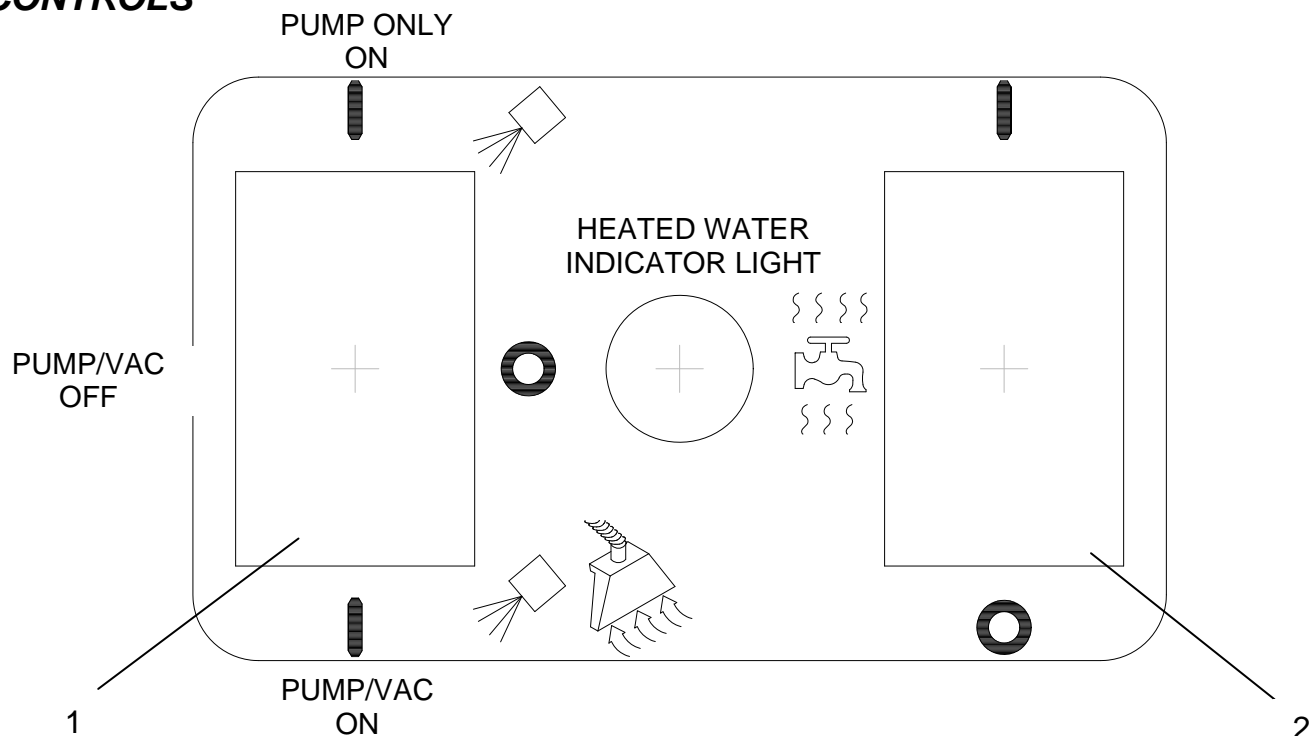
Improper connection of the equipment-grounding conductor can result in a risk of electric shock. Check with a qualified electrician or service person if you are in doubt as to whether the outlet is properly grounded. Do not modify the plug provided with the appliance - if it will not fit the outlet, have a proper outlet installed by a qualified electrician.

TECHNICAL SPECIFICATIONS

ITEM	MEASURE
Electrical	115 Volt, 60hz
Vacuum Motor	Single 3 stage
Solution Pump	50 psi
	100 psi
Solution Capacity	7 gal (26 L)
Recovery Capacity	6 gal (22 L)
Weight - Empty	50 lbs (110 kg)
Weight -Full Solution	105 lbs (230 kg)
Height	35 inches (88.90 cm)
Height – (Handle Folded Down)	28.5 inches (72.39 cm)
Length	25 inches (63.50 cm)
Width	15.5 inches (39.37 cm)
Power Cord	22 feet (6.71 m)
Heater	1850 watts



CONTROLS



1. Pump/Vac Switch
2. Heater Switch

MACHINE OPERATION

GENERAL INFORMATION

As the carpet is being cleaned, check to see if there is foam building up in the recovery bucket.

Add a little defoaming compound to the recovery tank but never to the solution tank.

For infrequent use or long periods of storage, flush the system with a neutralizing solution of 1 quart white vinegar mixed with 2 gallons hot water. Flush the system with clean hot water after neutralizing.

For hose fitting lubrication, use a light silicone lubricant which will not damage o-rings.

PROTECT THIS MACHINE FROM FREEZING

PRE-RUN INSPECTION

1. Check all fittings and connectors for proper assembly.
2. Check all hoses for leaks. Repair or replace any damaged hoses.
3. Check power cord(s) for any damage. If damaged, replace.

EQUIPMENT SET-UP

1. Plug power cord from machine into properly grounded wall outlet.
2. Turn vacuum motor switch on and off to make sure there is electrical power at machine.
3. Connect vac hose to machine. Slide the swivel cuff over the outlet on the tank.
4. Connect the hose to your machine and wand. Pull back the knurled collar on the quick disconnect coupler (located on the solution tank) and push into the connection.

To avoid leaks, check to be sure that a positive connection was made.

5. Using a clean container, fill the solution tank with clean hot water. Mix in a non-foaming cleaning concentrate for use in hot water extraction machines, following the manufacturer's instructions printed on container.

NOTE: When using a powder cleaner, pre-mix with hot water in a clean container before adding to the solution tank.

MACHINE OPERATION

6. Turn pump and vacuum switch(s) to the on position.
7. Start cleaning.

WARNING:

To prevent possible disease hazard, before attempting to clean bodily fluids spills, you must kill any viruses, germs or bacteria present in the bodily fluid.

SUITABLE CHEMICALS

Alkalis
Clorox II Bleach*
Defoaming Agents
Detergents
Hydroxides
Oxygen Bleaches
Soaps
Sta-Puf Fabric
Softener*
Vinegar

INCOMPATIBLE CHEMICALS

Aldehydes
Aromatic Hydrocarbons
Butyls
Carbon Tetrachloride
Clorox*
Chlorinated Bleaches
Chlorinated Hydrocarbons
D-Limonene
Lysol*
Methyls (MEK)
Perchloroethylene (perc)
Phenols
Trichloroethylene

*Registered Trademark

HEATER OPERATION

WARNING:

The disconnect fittings on the heater will become extremely hot during operation. Allow sufficient time to cool, or run solution through the machine with the heater turned off before disconnecting the or performing any maintenance on the heater.

Before disconnecting the heater, open wand valve to relieve the system of all pressure by depressing the valve trigger.

DO NOT spray water directly on to the heater. To clean, unplug the unit and wipe with a damp cloth.

WARNING:

Make certain that the solution tank is filled adequately before plugging in the machine and heater.

1. Plug the machine and heater into separate grounded circuits. The heater draws 15 amps of current.
2. Turn the solution pump **ON**. Turn the heater switch **ON**. The solution pump must be turned on **BEFORE** the heater is turned on.

On initial start-up the 1850 watt heater will take a few minutes to reach operating temperature.

3. When turning the machine and heater **OFF**, make certain that you turn the heater off **FIRST**.

EMPTYING AND CLEANING

WARNING:

Always use defoamer if foaming occurs. Foam will suspend large particles that may damage vacuum(s) as well as allow liquid into the vacuum motor(s) without activating the float shutoff.

1. Before proceeding, make certain that the nozzle is functioning properly.
 - a. To check, hold the wand about one foot above the surface to be cleaned and open the wand valve. A full spray should be observed from the nozzle.
 - b. If the nozzle is not showing a full spray pattern, adjust nozzle for proper pattern, clean, or replace nozzle.
2. Normally, chemical is applied on the push stroke of the wand when cleaning. Vacuuming is done on the pull stroke. For heavily soiled carpets the wand may be used in a scrubbing manner, applying chemical in both the push and pull stroke.
3. When cleaning, keep the working opening (wand mouth) flat on the surface being cleaned. Keep the wand moving when the valve is open.
4. The shutoff float inside the vacuum tank will impede the vacuum flow when the vacuum tank is full. When this occurs, empty the vacuum tank by opening the dump valve and dispose of the waste in a proper manner.
5. Once the vacuum tank has been emptied, you may once again proceed with cleaning

MAINTENANCE

DAILY MAINTENANCE



WARNING:

Unplug power cord(s) before servicing or making any repairs.

1. Flush the entire system, including floor tool, hand tool, etc., with 1 to 3 gallons of clean, hot water.
2. Vacuum out the solution tank.
3. Rinse tank with fresh water. Periodically inspect the recovery tank and decontaminate if necessary, using a Hospital Grade Virucide or a 1-10 bleach to water solution. Wastewater should be disposed of properly.
4. Occasionally check filter screen at the bottom of the solution tank and rinse clean with hot water if necessary.
5. Inspect hoses for wear. Frayed or cracked hoses should be replaced to avoid vacuum or solution pressure loss.
6. Inspect power cord for wear or damage. This cable will lie on wet carpet. To prevent electrical shock replace cords that are frayed or have cracked insulation immediately.
7. Clean all dirt and obstructions from drain valve and gaskets to prevent possible leakage and premature wear.
8. Run clean water through solution pump when work is complete.
9. Empty both tanks and rinse, run vacuum (s) for at least one minute to dry motor(s).
10. Store with access covers removed to allow tanks to dry.



WARNING:

DO NOT attempt to repair hose! Repairing high-

pressure hoses may result in severe burns and serious injury.

PERIODIC MAINTENANCE

1. Twice a month, flush a white vinegar solution (One quart vinegar to two gallons of water) or anti-browning solution (mixed as directed) through the extractor, turning pump switch on/off several times, flush with clean water. This will prevent build-up of alkaline residue in the system.
2. Check hoses for wear, blockages, or damage. Frayed or cracked hoses should be repaired or replaced to eliminate vacuum or solution pressure.
3. Check all handles, switches, knobs, electrical cables and connections on your machine for damage. If the cable insulation is broken or frayed, repair or replace it immediately. Don't take chances with electrical fire or shock.
4. Clean out solution tank. Remove and clean solution screen.
5. Clean outside of all tanks and check for damage.

MONTHLY MAINTENANCE

1. Check all bearings for noise and wear.
2. Check all gaskets for wear and leakage.
3. Check pump pressure; observe spray pattern and check gauge if necessary.
4. Check overall performance of machine.

SEMI-ANNUALLY

1. Check vacuum motor brushes.

LUBRICATION

For hose fitting lubrication, use a light silicone lubricant which will not damage o-rings.

STORAGE

Thoroughly clean machine if it is to be stored. Protect this machine from freezing while in storage.

HEAT MODELS ONLY: Be sure to thoroughly drain water out of heater lines prior to storage in colder climates. This heater will freeze and possibly crack voiding your warranty.

⚠ WARNING: Only qualified maintenance personnel are to perform the following repairs.

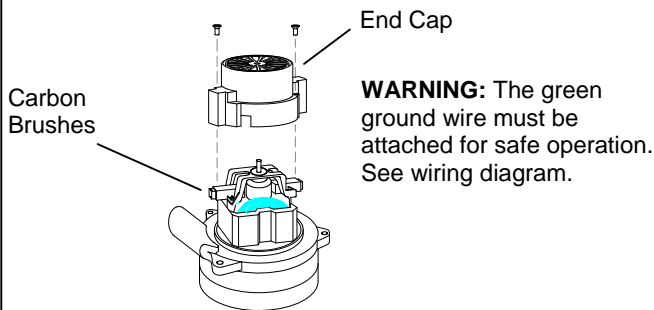
VACUUM MOTOR REPLACEMENT

1. Turn off all switches and unplug machine.
2. Remove recovery tank.
3. Locate the vacuum motor wires and disconnect at the connector.
4. Remove the vacuum motor.
5. Reverse process to install vacuum motor.

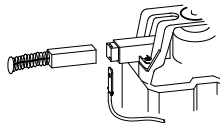
SOLUTION PUMP REPLACEMENT

1. Turn off all switches and unplug the machine.
2. Remove recovery tank.
3. Remove solution hoses from fittings in pump.
4. Remove the screws that fasten the pump to the frame.
5. Reverse process to install pump.

Vacuum Motor Carbon Brushes Replacement (Windsor)

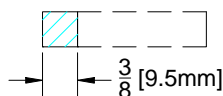


If armature commutator is grooved, extremely pitted or not concentric, the motor will need to be replaced or sent to a qualified service center.



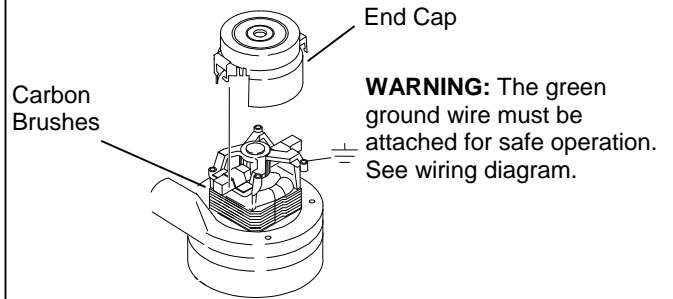
Important:

These brushes wear quicker as the length shortens due to increased heat. Spring inside brush housing will damage motor if brushes are allowed to wear away completely.

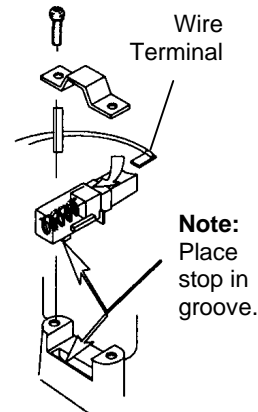


Periodically check the length of the carbon brushes. Replace both carbon brushes when either is less than 3/8" (9.5mm) long.

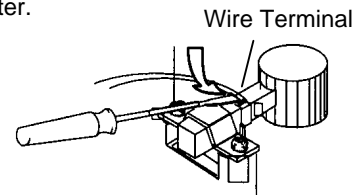
Vacuum Motor Carbon Brushes Replacement (Ametek)



Note: When replacing carbon brushes loosen wire terminal **BEFORE** removing screws on bracket.

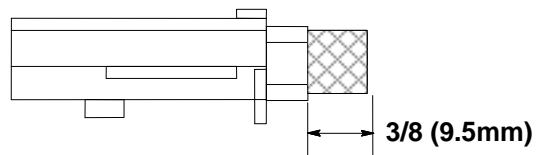


If armature commutator is grooved, extremely pitted or not concentric, the motor will need to be replaced or sent to a qualified service center.



Important:

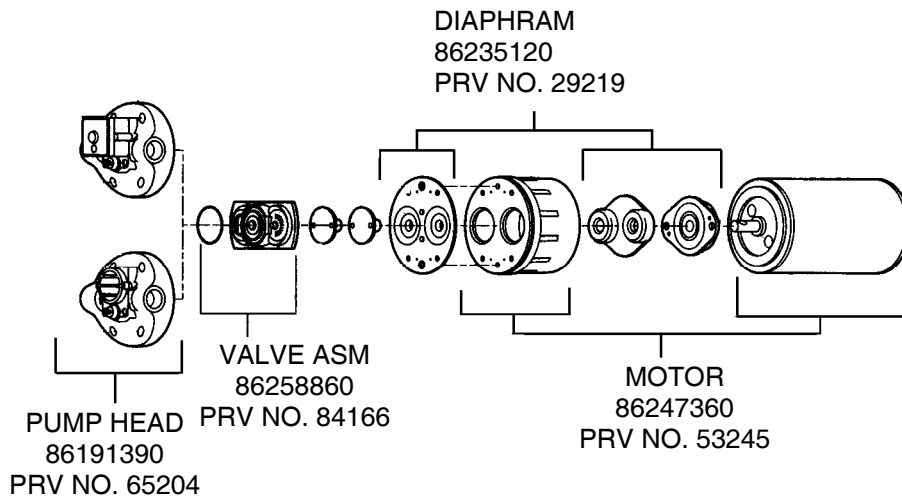
These brushes wear quicker as the length shortens due to increased heat. Spring inside brush housing will damage motor if brushes are allowed to wear away completely.



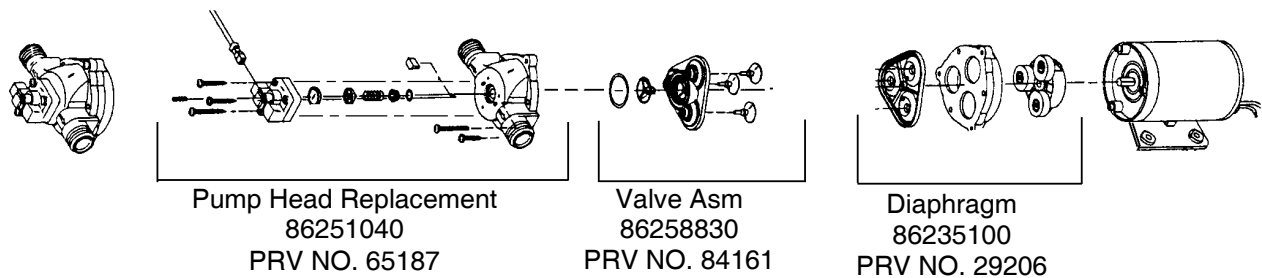
Periodically check the length of the carbon brushes. Replace both carbon brushes when either is less than 3/8" (9.5mm) long.

MAINTENANCE

PUMP REPLACEMENT PARTS FOR FLOJET 100 PSI (86251110 – PRV NO. 65219)



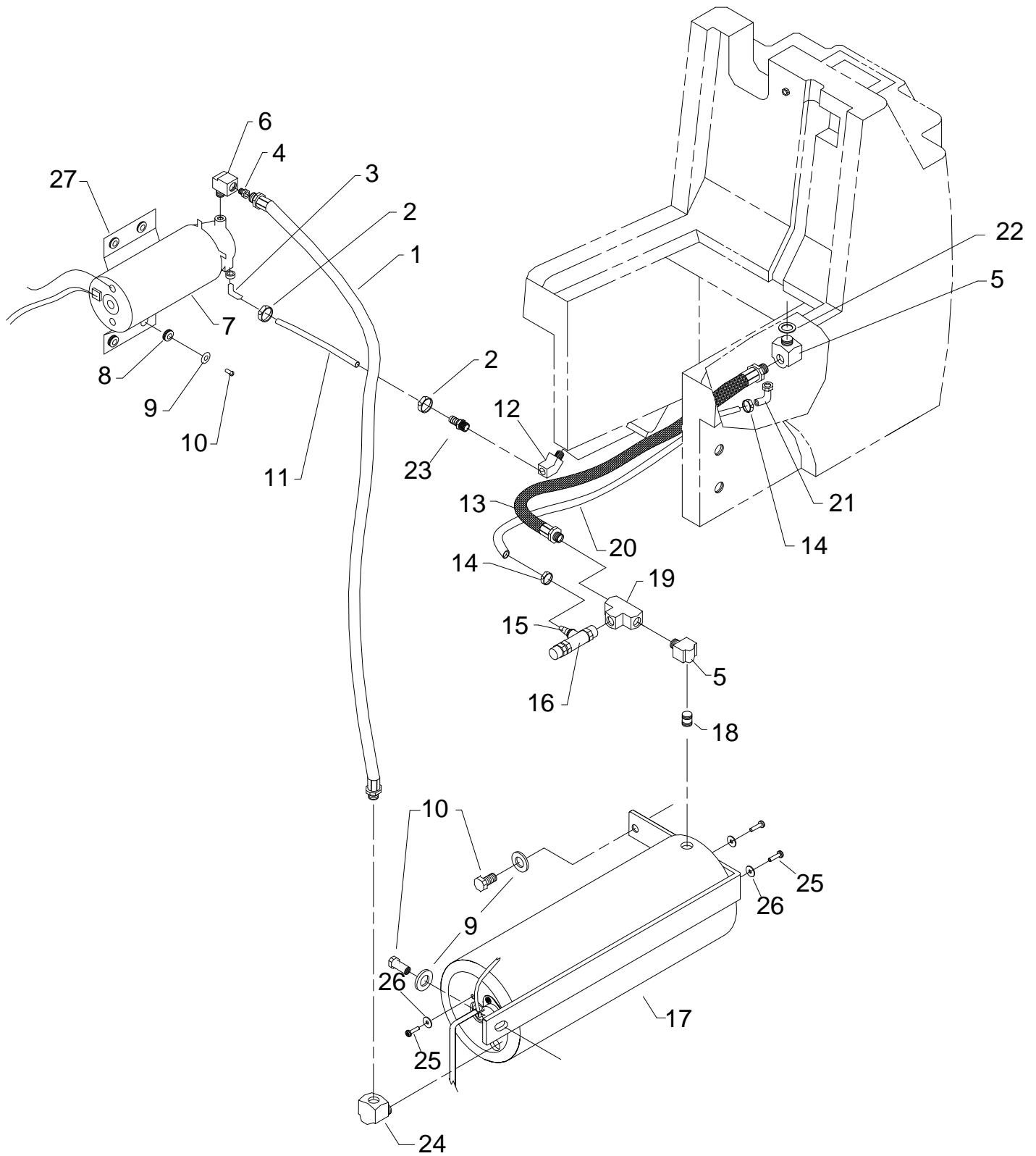
PUMP REPLACEMENT PARTS FOR SHURFLO 100 PSI (86201430 – PRV NO. 250-64A)



TROUBLESHOOTING

PROBLEM	CAUSE	SOLUTION
Loss of Power	Dead electrical circuit	Check building circuit breaker or fuse box.
	Faulty power cord	Replace
Electrical shock	Equipment not grounding	Follow grounding instructions exactly
	Receptacle not grounded	Contact an electrician to check building's wiring
	Internal wiring problem	Have a trained service technician check machine's wiring
Vac motor speed varies or doesn't run	Worn motor brushes	Replace
	Motor worn out	Replace
	Faulty switch	Replace
Loss of vacuum	Loose vacuum dome	Center and seal dome over tank
	Crack in dome of poor joint	Replace or repair using acrylic plastic cement only
	Lint or dirt clogging vacuum screen	With power off clean screen
	Loose cuffs on vacuum hose	Tighten cuffs turning counterclockwise
	Vac motor seals leaking	Replace
	Floor tool vac chamber clogged	Wash out with hose. Pick lint out with a wire
	Vac motor, hose, or dome gasket	Replace
Pump runs no solution	Pump inlet screen plugged	Clean inlet screen
	Pump air locked	Press trigger to open valve on cleaning wand to relieve air
	Internal or external solution line damaged and leaking	Replace
Pump runs, loss of pressure	Internal pump components wearing out	Replace, see pump kit components (pg 4-3)
	Check valves in pump head for particles or cuts in seals	Take piston from BPR and lubricate with Superlube. If problem still exists change BPR kit
Pump will not run	Unit not plugged in	Connect unit to 3 prong grounded outlet
	Loose wiring	See dealer
Solution hose fitting hard to connect	Corrosion on fittings.	Clean with steel wool. Soak in acetic acid (white vinegar). Lubricate lightly with silicone base lubricant.
Carpet not getting clean	Severe soil conditions	Make several passes at right angles to each other. Use a pre-spray.
Carpet too wet	Over saturation	Adjust solution pressure to lower settings. Make several passes without spray
Carpet browning	Leaving carpet too wet	Check for loss of vac pressure
	Too much chemical	Check label for correct solution concentration
	Light carpet with no brown prevention	Go over carpet with browning prevent only
Solution not flowing properly	Solution hose connection	Check for positive connection
	Faulty pump	Repair or replace
	Faulty floor tool valve	Repair or replace
	Faulty pump switch	Repair

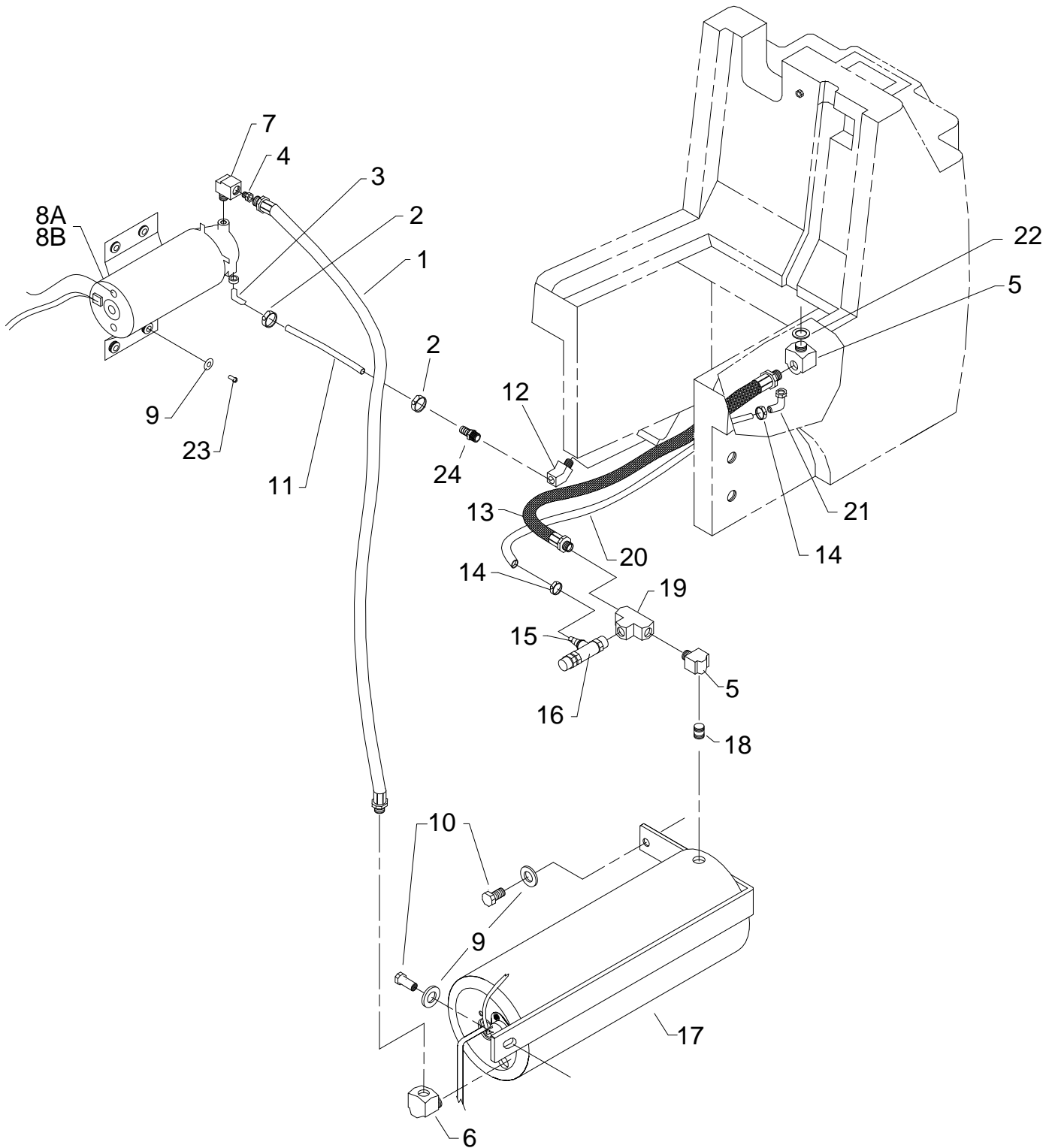
PUMP AND HEATER GROUP (50 PSI)



PUMP AND HEATER GROUP (50 PSI)

REF	PART NO.	PRV NO.	QTY	DESCRIPTION	SERIAL NO. FROM	NOTES:
1	86200220	151-47D	1	HOSE, 12.5" RED 3/8 1/4 MPT X 1/4 MPT		
2	86233150	20042	2	CLAMP, 3/8 HOSE (D-SLOT)		
3	86001550	40043	1	HOSEBARB, 3/8 MPT X 3/8 90D		
4	86202130	370-44	1	VALVE, CHECK 1/4 NPT		
5	86197360	31016	2	ELBOW, 1/4 NPT STREET		
6	86197440	31056	1	ELBOW, 3/8 MPT X 1/4 FPT		
7	86201410	250-63	1	SHURFLO 50PSI PUMP		
8	86199960	110-22	4	GROMMET 6 GAL. PORT		
9	86010630	87013	2	WASHER, 1/4 ID X 5/8 OD SS		
10	86273830	70020	2	SCR, 1/4-20 X 1/2 HHCS SS NP		
11	86281250	39311	1	HOSE, 3/8ID 300PSI 70F X 14"	1000168323	WAS 151-46A
12	86180240	11-800341	1	ELL, ST 3/8 45 DEG BR	1000168323	WAS 31021
13	86200210	151-47C	1	HOSE, 7.5" RED 3/8 1/4 MPT X 1/4 MPT		
14	86233090	20016	2	CLAMP, 1/4 ID HOSE		
15	86197500	40009	1	HOSEBARB, 1/4 MPT X 1/4 DL		
16	86200980	370-33	1	PRESSURE RELIEF VALVE 175 PSI		
17	86027940	41511	1	HEATER ASM, SENSEI COMPLT (SERV)		
18	86005590	56014	1	NIPPLE, 1/4 CLOSE		
19	86201660	030-54	1	TEE 1/4 FEMALE #440108		
20	86280760	151-47B	1	HOSE, 1/4 ID NYLOBRAID X 6"		
21	86200280	250-12	1	HOSEBARB, 3/8 MPT X 1/4 90D		
22	86090230	87015	1	WASHER, 9/16 ID X 1.06 OD SS		
23	86197510	40010	1	HOSEBARB, 3/8MPT X 3/8 BR DL		
24	86235430	31020	1	ELBOW, STREET, 1/4 FPT X 1/8 MPT		
25	86200870	300-06A	3	PAN HD SH MTL SCREW 6 X 3/16 B		
26	86010650	87018	3	WASHER, #10 X 9/16 OD		
27	86312660	-	1	BASE, PUMP MOTOR		

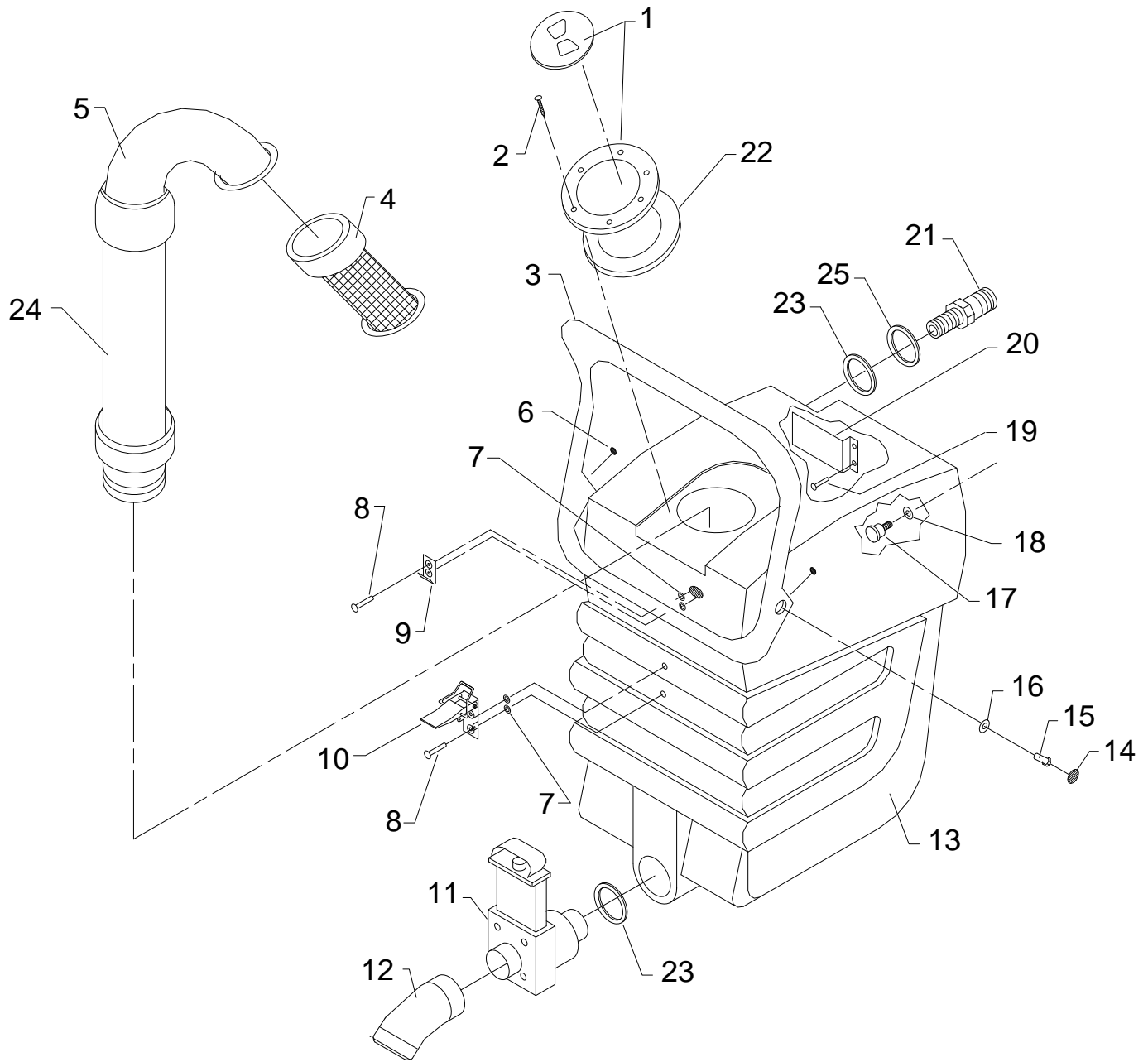
PUMP AND HEATER GROUP (100 PSI)



PUMP AND HEATER GROUP (100 PSI)

REF	PART NO.	PRV NO.	QTY	DESCRIPTION	SERIAL NO. FROM	NOTES:
1	86200220	151-47D	1	HOSE, 12.5" RED 3/8 1/4 MPT X 1/4 MPT		
2	86233150	20042	2	CLAMP, 3/8 HOSE (D-SLOT)		
3	86001550	40043	1	HOSEBARB, 3/8 MPT X 3/8 90D		
4	86202130	370-44	1	VALVE, CHECK 1/4 NPT		
5	86197360	31016	2	ELBOW, 1/4 NPT STREET		
6	86235430	31020	1	ELBOW, STREET, 1/4FPT X 1/8MPT		
7	86197440	31056	1	ELBOW, 3/8 MPT X 1/4 FPT		
8A	86201430	250-64A	1	SHURFLO 100 PSI PUMP DEMAND		
8B	86251110	65219	1	PUMP, 115V 100PSI BYPASS W/SW		
9	86010630	87013	4	WASHER, 1/4 ID X 5/8 OD SS		
10	86273830	70020	2	SCR, 1/4-20 X 1/2 HHCS SS NP		
11	86281250	39311	1	HOSE, 3/8ID 300PSI 70F X 14"	1000168323	WAS 151-46A
12	86180240	11-800341	1	ELL, ST 3/8 45 DEG BR	1000168323	WAS 11-800341
13	86200210	151-47C	1	HOSE, 7.5" RED 3/8 1/4 MPT X 1/4 MPT		
14	86233090	20016	2	CLAMP, 1/4 ID HOSE		
15	86197500	40009	1	HOSEBARB, 1/4 MPT X 1/4 DL		
16	86200980	370-33	1	PRESSURE RELIEF VALVE 175 PSI		
17	86027940	41511	1	HEATER ASM		
18	86005590	56014	1	NIPPLE, 1/4 CLOSE		
19	86201660	030-54	1	TEE 1/4 FEMALE		
20	86280760	151-47B	1	HOSE, 1/4 ID NYLOBRAID X 6"		
21	86200280	250-12	1	HOSEBARB, 3/8 MPT X 1/4 90D		
22	86090230	87015	1	WASHER, 9/16 ID X 1.06 OD SS		
23	86273780	70015	2	SCR, 1/4-20 X 3/4 HHCS SS		
24	86197510	40010	1	HOSEBARB, 3/8MPT X 3/8 BR DL		

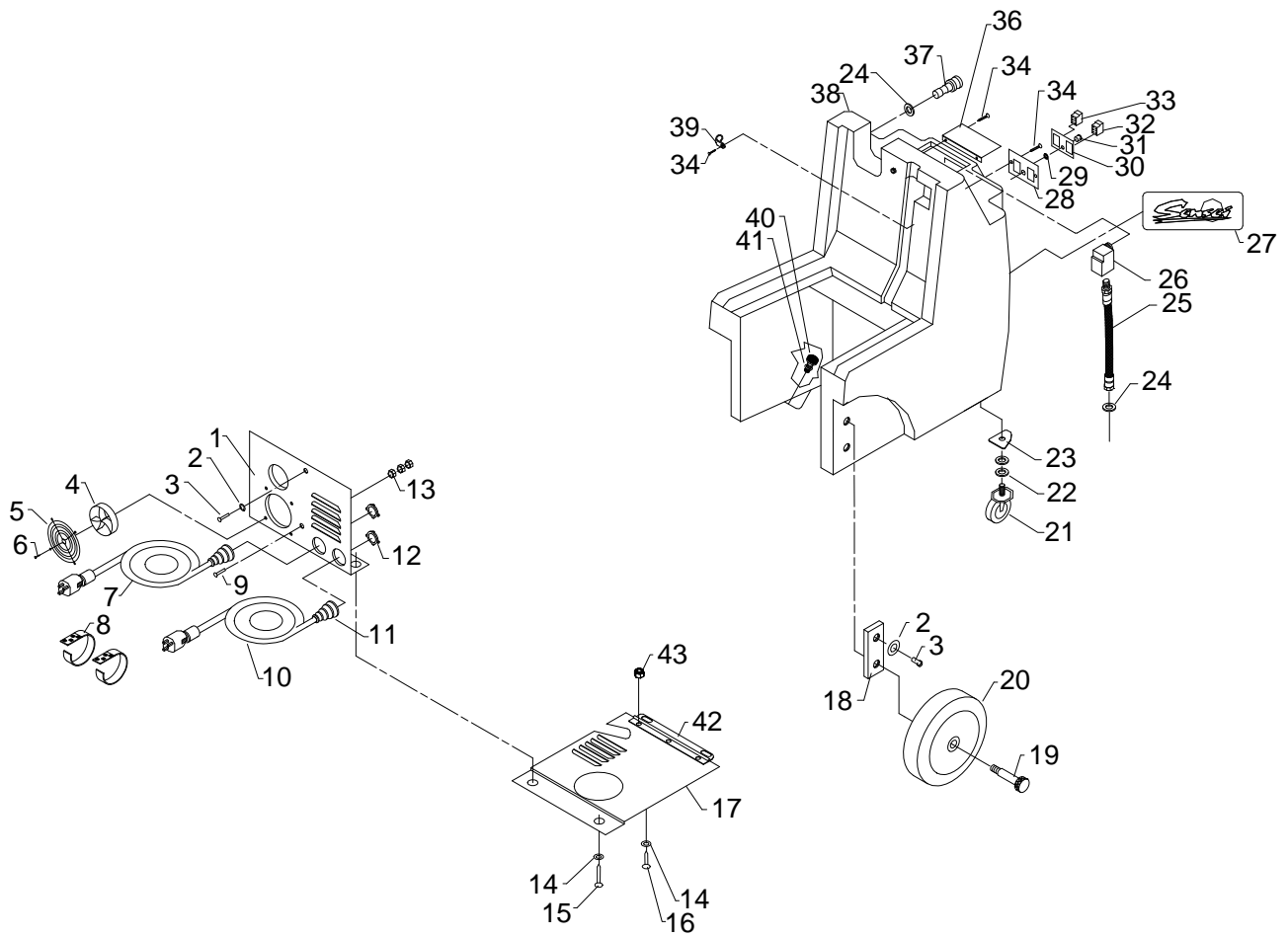
RECOVERY TANK GROUP



RECOVERY TANK GROUP

REF	PART NO.	PRV NO.	QTY	DESCRIPTION	SERIAL NO. FROM	NOTES:
1	86002620	260-64A	1	ACCESS COVER CLEAR 6" W/ RIM		
2	86275800	70546	6	SCR, 8 X 3/4 PFHT/S BLK ZINC		
3	86033350	38299	1	HANDLE, DK GRY		
4	86003680	34380	1	FLOAT, SHUT OFF		
5	86227230	04094	1	ADPTR, 1.5FS X 1.5FS PVC "U"		
6	86199330	110-14B	2	CAP PLUG 5/8"		
7	86010690	87068	4	WASHER, 1/8 RIVET BACKUP		
8	86201280	280-01	4	RIVET AL. 1/8 X 1/2		
9	86201620	140-03A	1	STRIKE FOR 140-03		
10	86200710	140-03	1	LATCH DRAW PULL 6 GAL.		
11	86161460	15-808123	1	DUMP VALVE 1 1/2"		
12	86161470	11-800444	1	ELBOW, 2" 45D PVC SCH40		
13	86033460	75338	1	TANK, RECOVERY DK GRY		
14	86199320	110-14A	3	CAP PLUG 1"		
15	86273780	70015	2	SCR, 1/4-20 X 3/4 HHCS SS NP		
16	86010740	87090	2	WASHER, 1/4 ID X 3/4 OD PLTD		
17	86200510	140-12	1	KNOB 1/4-20 X 3/4 S/S CUPPOINT		
18	86202240	390-24	1	WASHER, SEAL 1/4 X 1 OD SS		
19	86201290	280-02	2	RIVET AL. 3/16 X 1/2 CLOSED		
20	86090750	065-40	1	BAFFLE		
21	86200290	260-33	1	HOSE BARB, 1.5 MPT X 1.5		
22	86004000	35255	1	GASKET, TANK LID		
23	86237770	35256	2	GASKET, DUMP VALVE		
24	86033210	34408	1	FLOAT SHUT OFF TUBE W/ADPTR		
25	86090320	87257	1	WASHER, HOSEBARB		

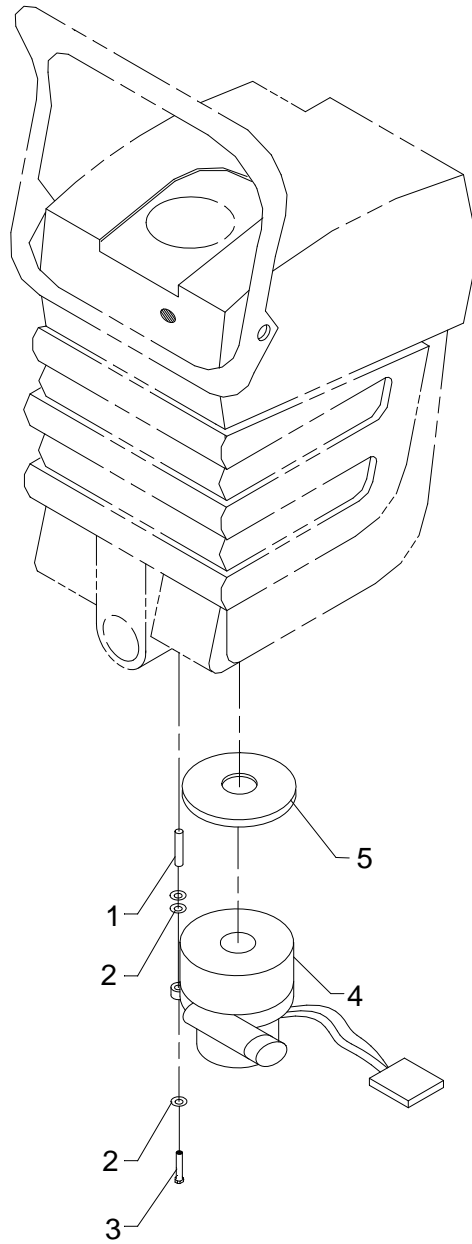
SOLUTION TANK GROUP (W/ HEAT-50 & 100 PSI)



SOLUTION TANK GROUP (W/ HEAT-50 & 100 PSI)

REF	PART NO.	PRV NO.	QTY	DESCRIPTION	SERIAL NO. FROM	NOTES:
1	86090680	065-39B	1	ACCESS PLATE SENSEI WITH HEAT		
2	86010630	87013	3	WASHER, 1/4 ID X 5/8 OD SS		
3	86273780	70015	3	SCR, 1/4-20 X 3/4 HHCS SS NP		
4	86199680	070-14	1	FAN AXIAL 80MM 120V		
5	86199690	070-14A	1	FAN FINGER GUARD 80MM		
6	86276290	70626	4	SCR, #10 X 3/4 PPHST HI-LO BLK		
7	86199530	060-04	1	CORD ASM, 12/ SJT X 25' BLK		
8	86202160	320-05	2	VELCRO STRAP		
9	86273810	70018	1	SCR, 1/4-20 X 1 HHCS SS		
10	86199540	060-04A	1	CORD ASM, 14/3 SJT X 25' BLK		
11	86256180	73195	2	STRAIN RELIEF, 1/2 NPT (.48ID)		
12	86005670	57040	2	NUT, 1/2 NPT CONDUIT		
13	86005710	57105	3	NUT, 1/4-20 HEX W/STAR WASHER		
14	86010650	87018	4	WASHER, #10 X 9/16 OD		
15	86273930	70051	2	SCR, 8-32 X 1/2 PPHMS NP		
16	86006520	70052	2	SCR, 8-32 X 3/8 PPHMS SS		
17	86090990	61366	1	PLATE, ACCESS		
18	86091090	065-41	2	WHEEL BRACKET		
19	86278340	70721	2	SHOULDER BOLT, 1/2 OD X 2.25 L		
20	86202260	040-08	2	WHEEL 8" GRY CENTERED HUB		
21	86199460	040-12	2	CASTER 2 1/2" THR'D 3/8-16		
22	86010720	87086	4	WASHER, M10 X 30 PLTD		
23	86091100	065-41A	2	WHEEL SUPPORT PLATE		
24	86090230	87015	2	WASHER, 9/16 ID X 1.06 OD SS		
25	86200200	151-46C	1	HOSE, 16.0 RED 3/8 1/4 MPT X 1/4 MPT		
26	86199640	030-16	1	ELBOW, 1/4 NPT STREET LONG 90D		
27	86200620	500347	1	LABEL, SENSEI MAIN		
28	86091140	335-08	1	SWITCH PLATE		
29	86233480	22046	1	CLIP, NEON LAMP		
30	86200540	170-22A	1	LABEL SWITCH W/ HEAT		
31	86261310	51356	1	LIGHT ASM, HEAT INDCTR		
32	86201310	330-15	1	ROCKER SWITCH 3 POS 6 TERMINAL		
33	86256960	72142	1	SWITCH, SPST 15A EURO ROCKER		
34	86274510	70219	5	SCR, #6 X 1/2 SHT MTL BLK		
35	-	OPEN	-	-		
36	86201460	065-03F	1	SOLUTION COVER		
37	96002450	22015	1	COUPLER, 1/4 QD		
38	86033520	75348	1	TANK, SOLUTION W/ HEAT		
39	86233170	20054	1	CLAMP, 3/8 NYLON UL/CSA		
40	86201590	290-08	1	STRAINER, 1/4 NPT 50 MESH		
41	86240440	40084	1	HOSEBARB, 1/4 X 1/2 BRASS		
42	86200030	41394	1	HINGE, ACCESS PLATE		
43	86270920	57049	3	NUT, 6-32 HEX NYLOCK SS		

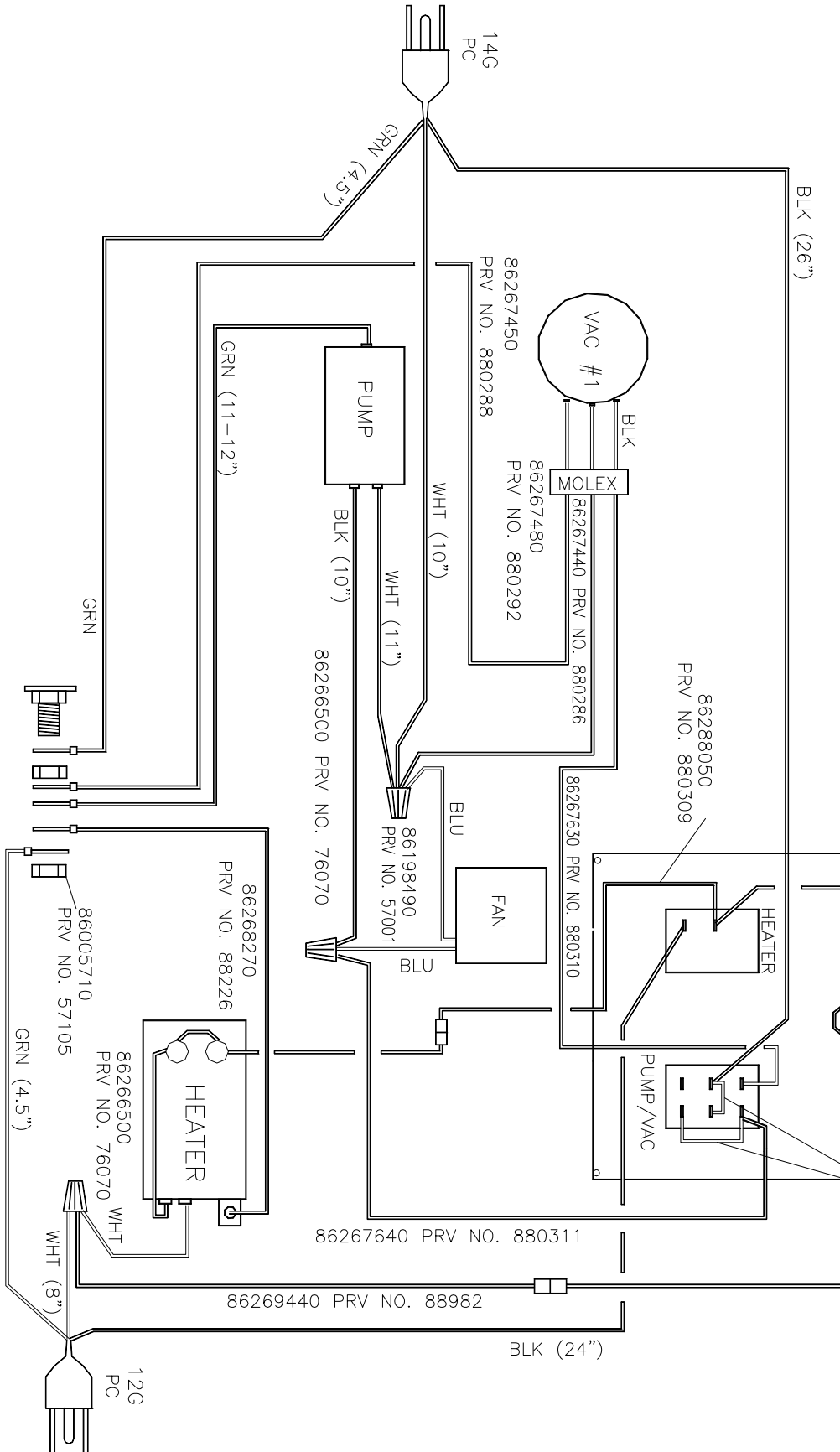
VACUUM MOTOR GROUP



VACUUM MOTOR GROUP

REF	PART NO.	PRV NO.	QTY	DESCRIPTION	SERIAL NO. FROM	NOTES:
1	86201950	065-24E	3	VAC SPACER 3 1/8		
2	86010630	87013	9	WASHER, 1/4 ID X 5/8 OD SS		
3	86273970	70062	3	SCR, 1/4-20 X 4 HHCS GR5 PLTD		
4	86258420	53130	1	VAC MOTOR, 120V 5.7 3ST W/O TB	*	
-	86135320	140687	-	BRUSH SET, 120V VAC WINDSOR	*	SERVICE ONLY
-	86135300	140676	-	BRUSH SET, 120V 3ST VAC AMETEK		SERVICE ONLY
5	86003720	35011	1	GASKET, 3/8T 5.7 VAC FAN SEAL		

WIRING DIAGRAM



SUGGESTED SPARE PARTS

PART NO.	PRV NO.	DESCRIPTION	SERIAL NO. FROM	NOTES:
86003680	34380	FLOAT SHUT OFF		
86002620	260-64A	ACCESS COVER CLEAR 6" W/RIM		
86161470	11-800444	ELBOW, 2" 45D PVC SCH40		
86201310	330-15	ROCKER SWITCH 3 POS 6 TERMINAL		
86256960	72142	SWITCH, SPST 15A EURO ROCKER		
86202160	320-05	VELCRO STRAPS		
86003720	35011	GASKET, 3/8T 5.7 VAC FAN SEAL		
86200510	140-12	KNOB 1/4-20 X 3/4 S/S CUPPOINT		
86135320	140687	BRUSH SET, 120V VAC WINDSOR	*	
86135300	140676	BRUSH SET, 120V 3ST VAC AMETECK		