
Clarke®

Operator's Manual

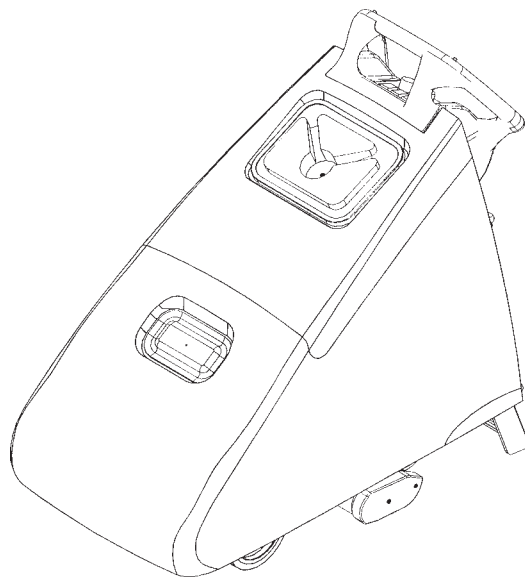


IMAGE
26E
WASH & RINSE®

READ THIS BOOK

This book has important information for the use and safe operation of this machine. Failure to read this book prior to operating or attempting any service or maintenance procedure to your Clarke machine could result in injury to you or to other personnel; damage to the machine or to other property could occur as well. You must have training in the operation of this machine before using it. If you cannot read English, have this manual explained fully before attempting to operate this machine.

Si Ud. o sus operadores no pueden leer el Inglés, se hagan explicar este manual completamente antes de tratar el manejo o servicio de esta máquina.

All directions given in this book are as seen from the operator's position at the rear of the machine.

For new books write to: Clarke®, 2100 Highway 265, Springdale, Arkansas 72764.

CONTENTS OF THIS BOOK

Operator Safety Instructions	3
Introduction and Machine Specifications	5
Transporting the Machine	6
Machine Controls	7
Electrical Instructions 115V	10
How to Prepare the Machine for Operation	11
Machine Operating Instructions	12
Maintenance Instructions	15

SECTION II PARTS AND SERVICE




How to Correct Problems in the Machine	20
Final Assembly Drawing	22
Final Assembly Parts List	23
Recovery Tank and Hose Assembly	24
Handle Assembly	25
Rear Panel Assembly	26
Solution Tank Assembly	27
Frame Assembly	28
Frame Assembly Plumbing Detail	29
Drive Assembly	30
Brush Assembly	31
Recovery Tool Assembly	32
Available Accessories	33
Electrical Schematic	34
Wiring Diagram	35
Flow Diagram	36










OPERATOR SAFETY INSTRUCTIONS











 **WARNING**

 **AVERTISSEMENT**

 **ADVERTENCIA**

-  **DANGER:** Failure to read and observe all **DANGER** statements could result in severe bodily injury or death. Read and observe all **DANGER** statements found in your Owner's Manual and on your machine.
-  **WARNING:** Failure to read and observe all **WARNING** statements could result in injury to you or to other personnel; property damage could occur as well. Read and observe all **WARNING** statements found in your Owner's Manual and on your machine.
-  **CAUTION:** Failure to read and observe all **CAUTION** statements could result in damage to the machine or to other property. Read and observe all **CAUTION** statements found in your Owner's Manual and on your machine.

-  **DANGER:** Failure to read the Owner's Manual prior to operating or attempting any service or maintenance procedure to your Clarke machine could result in injury to you or to other personnel; damage to the machine or to other property could occur as well. You must have training in the operation of this machine before using it. If your operator(s) cannot read English, have this manual explained fully before attempting to operate this machine.
-  **DANGER:** Operating a machine that is not completely or fully assembled could result in injury or property damage. Do not operate this machine until it is completely assembled. Inspect the machine carefully before operation.
-  **DANGER:** Machines can cause an explosion when operated near flammable materials and vapors. Do not use this machine with or near fuels, grain dust, solvents, thinners, or other flammable materials.
-  **DANGER:** Using a machine with a damaged power cord could result in an electrocution. Do not use the machine if the power cord is damaged. Do not use the electrical cord to move the machine.
-  **DANGER:** Electrocution could occur if maintenance and repairs are performed on a unit that is not properly disconnected from the power source. Disconnect the power supply before attempting any maintenance or service.
-  **DANGER:** Electrocution could occur if the machine is used on a power circuit that repeatedly trips or is undersized. Have a licensed electrician check the fuse, circuit breaker or power supply, and/or contact your local Clarke distributor for assistance.
-  **WARNING:** Operating this machine from anywhere other than from the back of the machine could result in injury or damage. Operate this machine only from the rear.
-  **WARNING:** This machine is heavy. Get assistance before attempting to transport or move it. Use two able persons to move the machine on a ramp or incline. Always move slowly. Do not turn the machine on a ramp. Do not stop and leave the machine on a ramp or incline. Read the "Procedures For Transporting" in this manual before transporting.
-  **WARNING:** Machines can topple over if guided over the edges of stairs or loading docks and cause injury or damage. Stop and leave this machine only on a level surface. When you stop the machine, put all switches into their "OFF" position.

-  **WARNING:** This machine is not equipped with a parking brake. Never leave the machine unattended. For added safety, always place a chock in front of and behind the drive wheel.
-  **WARNING:** Maintenance and repairs performed by unauthorized personnel could result in damage or injury. Maintenance and repairs must be performed by authorized Clarke personnel only.
-  **WARNING:** Electrical components of this machine can "short-out" if exposed to water or moisture. Keep the electrical components of the machine dry. Wipe the machine down after each use. For storage, keep the machine in a dry building.
-  **WARNING:** Operating a machine without observing all labels and instructional information could result in injury or damage. Read all machine labels before attempting to operate. Make sure all of the labels and instructional information are attached or fastened to the machine. Get replacement labels and decals from your Clarke distributor.
-  **WARNING:** Wet floor surfaces can be slippery. Water solutions or cleaning materials used with this type of machine can leave wet areas on the floor surface. These areas can cause a dangerous condition for the operator or other persons. Always put "Caution" signs around/near the area you are cleaning.
-  **WARNING:** Using water that is above 140°F can damage the machine. Do not use water where the temperature is above 140°F.
-  **CAUTION:** Use of this machine to move other objects or to climb on could result in injury or damage. Do not use this machine as a step or furniture. Do not ride on this machine.
-  **CAUTION:** Your machine warranty will be voided if anything other than genuine Clarke parts are used on your machine. Always use Clarke parts for replacement.
-  **CAUTION:** Using a extension cord with your machine will result in a voltage drop and loss of power. Do not use an extension cord.
-  **CAUTION:** Carpet damage can occur if carpet has not adequately dried before traffic resumes. Stay off the carpet until it is dry.

INTRODUCTION AND MACHINE SPECIFICATIONS

The **IMAGE 26E** is a one-piece, self-propelled carpet extractor designed for cleaning carpet. The machine applies cleaning solution to the carpet and then rinses carpet and removes the dirty solution and soil with a recovery tool.

Features:

- ◆ Easy to Operate
- ◆ Interex cleaning system.
- ◆ Brush pressure gauge.
- ◆ Improved Line of sight.
- ◆ Adjustable brush pressure.
- ◆ Adjustable traverse speed.
- ◆ Quick change brush feature.
- ◆ Rugged 10-gauge mainframe.
- ◆ Large capacity, compact size.
- ◆ Easy access for serviceability.
- ◆ Large recovery tank opening for easy cleaning.
- ◆ Smooth 8", non marking, tread-less drive wheels.
- ◆ Accessory tool connection.
- ◆ No fatigue, dead man switch mounted on control handle.
- ◆ 75 ft, detachable, 12/3 power cord with twist lock connector.
- ◆ Tangential discharge vac motor.
- ◆ Circuit breaker protection for traverse, brush, and pump motors.
- ◆ Automatic shut-off when recovery tank is full.
- ◆ Adjustable bypass pump.
- ◆ Two brushes: Maintenance (less aggressive), Restoration (more aggressive).
- ◆ Solution level indicator.

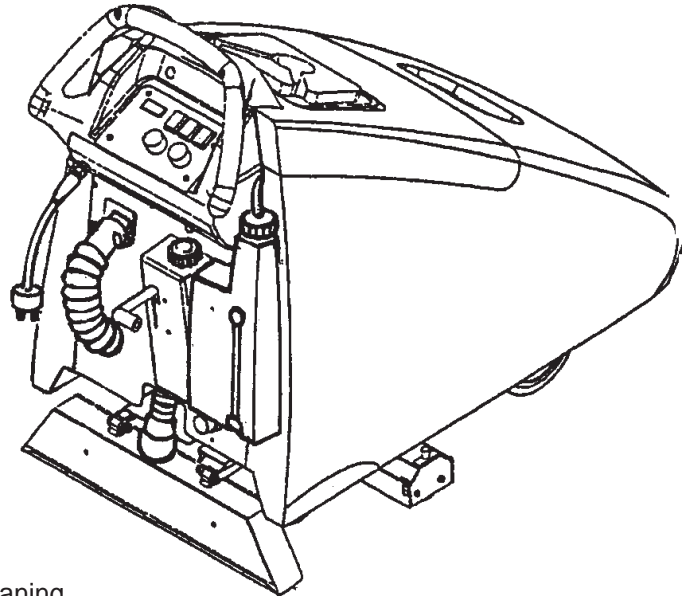



IMAGE 26E, 115V	
Solution Pump	150 psi Adjustable By-pass
Solution Tank Capacity	25 Gallon
Recovery Tank Capacity	25 Gallon
Water Lift	136" Functional WL 95/CFM
Vacuum	Tangential discharge, Three stage motor
Electrical	115V, 60 Hz
Operating Amps	12.0 Max.
Power Cable	75 ft. 3-Wire Grounded
Spray Jets	Quick Change Nozzles
Brush Size	4" x 23"
Dimensions	44" x 26" x 36"
Weight	210 lbs.
Shipping Weight	280 lbs.
Dimensions	56" x 28" x 46" (41.7 cu. ft.)

TRANSPORTING THE MACHINE


How to Put the Machine in a Van or Truck

 **WARNING:** The machine is heavy. Make sure you use two able persons to help assist the machine up the ramp.

1. Make sure the loading ramp is no less than eight feet long and strong enough to support the machine.
2. Make sure the ramp is clean and dry.
3. Secure the ramp in position.
4. Lift the recovery tool brush assembly into the storage position.
5. Align the machine on a level surface ten feet in front of the ramp.
6. Push the machine to the top of the ramp.
7. Tie down the machine.

How to Remove the Machine From A Van Or Truck

1. Make sure there are no obstructions in the area.
2. Make sure the unloading ramp is no less than eight feet long and strong enough to support the machine.
3. Make sure the ramp is clean and dry.
4. Secure the ramp in position.
5. Untie the machine.

 **WARNING:** The machine is heavy. Make sure you use two able persons to assist the machine down the ramp.

6. Assisting the machine down the ramp, position yourself to maintain a slow downward speed.

THE CONTROLS

The Power Switch (See figure 1, A)

The power switch is located on the control panel. **The power switch must be on before any function of the machine will work.**

The Traverse Knob (See figure 1, B)

The traverse knob is located on the control panel just below the power switch. The traverse knob controls the speed of the machine. For faster speeds, turn the knob to the right. For slower speeds, turn the knob to the left.

Variable Pump Pressure (See figure 2, C)

The variable pump pressure knob is located in the middle of the control panel. This knob can be adjusted clockwise to increase flow and pressure or counter-clockwise to decrease flow and pressure. If streaking occurs increase pressure setting.

⚠ WARNING: Do not operate the pump if the solution tank is empty. Damage to the pump could occur.

The Vacuum Switch (See figure 3, D)

The vacuum switch is located on the control panel to the left of the power switch.

Accessory Switch (See Figure 3, E)

The accessory switch is located to the left of the power switch. This switch controls where the solution is applied - floor or accessory connection.

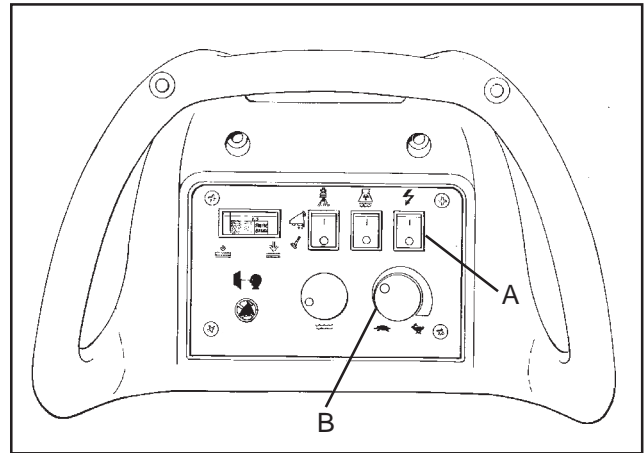


Figure 1

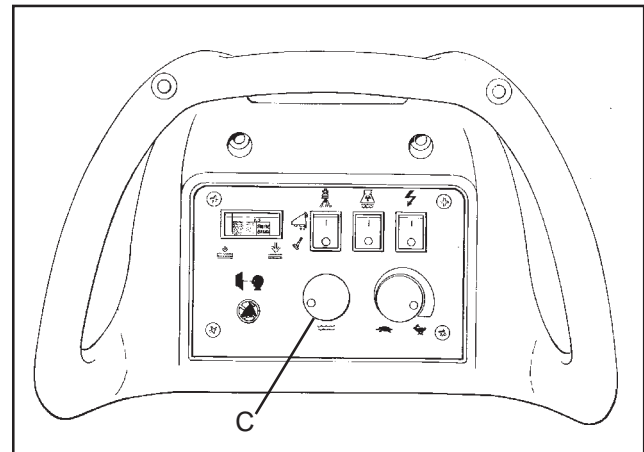


Figure 2

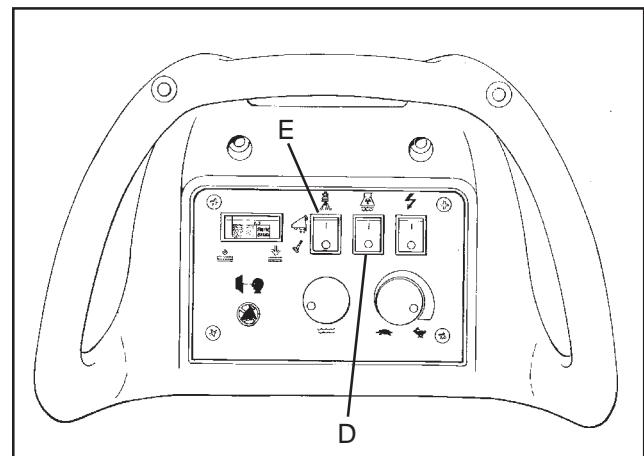


Figure 3

THE CONTROLS (cont.)

The Brush Adjustment Control Knob (See figure 4, A)

The brush adjustment control knob is located at the rear of the machine. The knob is adjustable for many types of carpet.

The Recovery Tool Handle (See figure 4, B)

The recovery tool handle is located on the back of the machine. This handle lowers the recovery tool and brush.

Accessory Hose Connector (See figure 5, C)

The accessory hose connector is used to hook-up optional auxiliary floor tools and to redirect the solution flow. Use hose coupler (P.N. 30108A) to connect accessory hose to recovery shoe hose. (See page 33.)

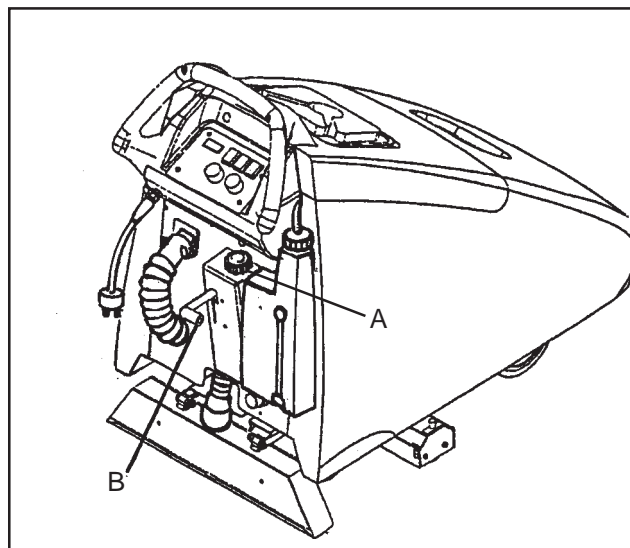


Figure 4

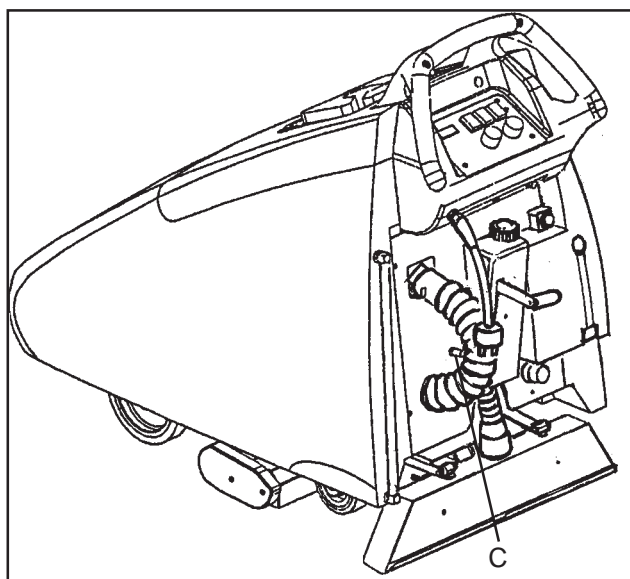


Figure 5

THE CONTROLS

The Traverse Switch (See figure 6, A)

The traverse switch is located on the control handle. Light pressure with the thumb or hand activates the traverse for forward movement. Only one switch needs to be activated for unit to traverse. This machine does not have reverse.

Rinse Tank (See figure 7, A)

The rinse tank is top center of the machine. The rinse tank fill opening is located under the front cover.

Rinse Tank Drain Hose and Solution Level Indicator (See figure 7, B)

The rinse drain hose is on the lower left at the back of the machine. To drain, pull the clear hose free of the top hose barb and lay the hose into drain. Reconnect when finished.

**TIP: To drain, disconnect from top plug and insert into vacuum hose up to the adaptor (E). Turn vacuum on. Empty recovery tank.*

Recovery Tank (See figure 7, C)

The recovery tank is mounted in the rear center position on the machine.

Recovery Tank Drain Hose (See figure 7, D)

The recovery drain hose is located at the center left at the back of the machine.

Chemical Tank (See figure 7, F)

The chemical tank is located on the rear right on the back of the machine.

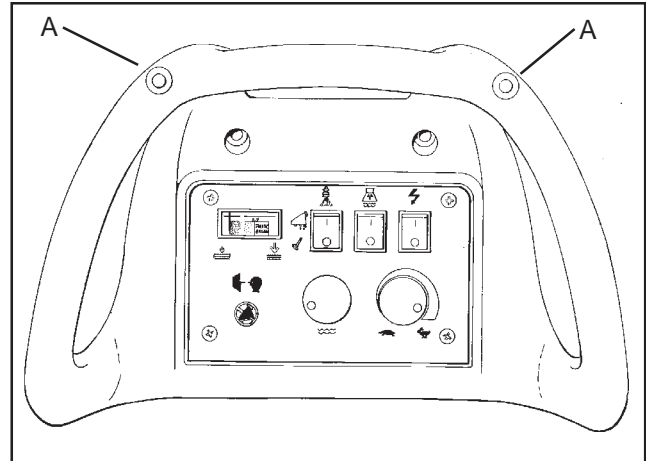


Figure 6

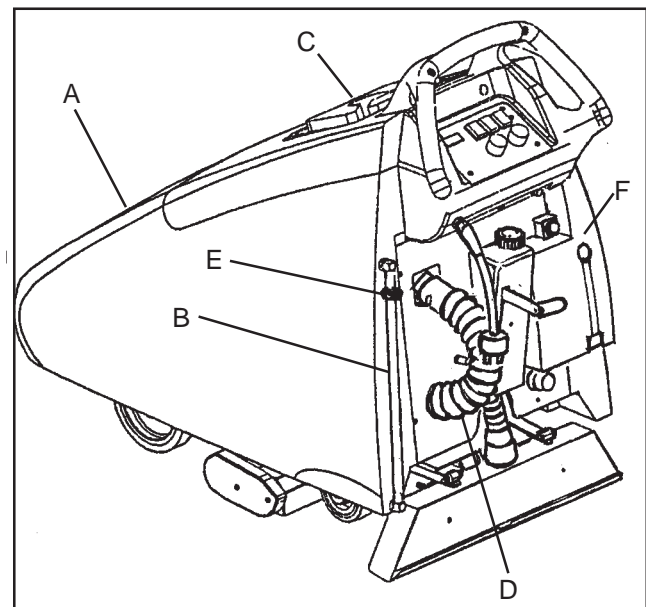


Figure 7

115V Electrical Connection Instructions

⚠ DANGER: Electrocutation and/or damage could occur if this machine is plugged into anything other than the correct frequency as specified on the nameplate. This machine will operate only on AC frequency and on electrical voltage shown on the nameplate. Make sure you have the correct frequency and voltage before connecting the power cord to an outlet. The machine has a plug as shown in figure 8.

This machine must be connected to an electrically ground circuit in order to protect the operator from electric shock. This machine has an approved power cord with three conductors as well as a plug with three terminals. Connect the plug into a three holed receptacle. For maximum protection against electric shock, use a circuit that is protected by a ground fault circuit interrupter.

This machine uses a 115V AC 60 cycle electrical circuit. Make sure you have the correct frequency and voltage before connecting the power cord to an outlet. Do not use an adaptor to plug in this machine. Contact an electrical contractor and have a 3-prong receptacle installed.

⚠ DANGER: Electrocutation could occur if the machine is exposed to water or rain. Keep the machine in a dry building.

⚠ DANGER: Electrocutation could occur if machine is improperly connected to the electrical system. To prevent possible electric shock, always use a 3-wire electrical system connected to an electrical ground. For maximum protection against electrical shock, use a circuit that is protected by a ground fault circuit interrupter. Consult your electrical contractor.

⚠ DANGER: Electrocutation could occur if the ground pin is tampered with in any way. Do not cut, remove, or break the ground pin. Do not try to fit a three-terminal plug into a receptacle or connector body other than a three plug receptacle or connector body. If the outlet does not fit the plug, consult your electrical contractor.

⚠ DANGER: Electrocutation could occur if the machine is used with a damaged plug or power cord. If the cords or plugs are worn or damaged in any way, have them replaced by an authorized service person or electrician.

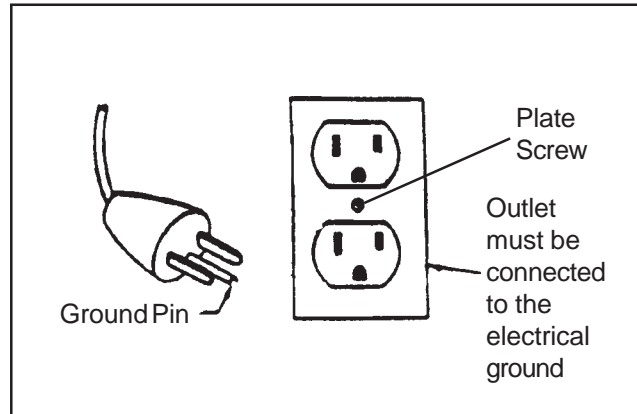




Figure 8

HOWTOPREPARETHEMACHINEFOROPERATION


 **DANGER:** Failure to read the operator's manual before operating this machine could result in injury to you or to other personnel, damage to the machine or to other property as well.

 **CAUTION:** The antifreeze solution that is shipped in your machine will damage carpet. Flush the antifreeze solution from the system before using the machine.


Your new Clarke machine has been shipped with antifreeze solution in the machine's system. This antifreeze must be flushed out prior to using the machine the first time.


To flush the antifreeze solution follow this procedure:

1. Plug both ends of the power cord in to the right connection.
2. Move machine to a non-carpeted area with a floor drain.
3. Position the machine over the drain.
NOTE: Drive wheels must be lifted off the ground for this step.
4. Drain chemical tank completely, then add approximately 1/4 gallon clear water to soap tank.
5. Add a minimum of five (5) gallons of clean water to the solution tank.
NOTE: Do not use water that is hotter than 140°F.
6. Press the power switch to the "ON" position.
7. Press the accessory switch to "FLOOR" position.
8. Turn solution flow valve to maximum setting.
9. Press either of the traverse switches to activate spray.
10. Allow the solution to run through the machine over the floor drain until the solution tank is empty.

 **CAUTION:** Cleaning solution in the machine and tools can leak onto the carpet and cause light spots or stains. Do not leave the extractor or other cleaning machines or tools on the carpet when not in use.

MACHINE OPERATING INSTRUCTIONS

 **DANGER:** Failure to read the operator's manual before operating this machine could result in injury to you or to other personnel, damage to the machine or to other property as well.

 **CAUTION:** Pump damage can occur if the pump is operated without water in the solution tank. Do not activate the pump if the solution tank is empty.

Recommendations for Best Wash -n-Rinse Cleaning Results


1. Vacuum carpet thoroughly before cleaning.
2. Precondition spots, stains and any high traffic areas as needed.
3. Clean carpet by following the instructions in this section. See "How to Operate the Machine".
4. After cleaning, dry carpets by using Clarke's Direct Air carpet dryer or by using fans. Windows should be open to assist in proper drying.

How to Operate the Machine

1. Put water into rinse tank and cleaning solution into the chemical tank. Clarke recommends using Clarkare® Extractor Concentrate as a cleaning solution.

Wash-n-Rinse Operating Instructions:

- a.) Soap tank must be filled with liquid soap only. It must be at the consistency similar to that of water.
- b.) Pump setting must be placed in the maximum range.
- c.) Soap concentration used for pre spray jets is factory set at 4:1 ratio. To change concentration, dilute soap in container 50% water to 50% solution to equal 2:1 ratio etc.

 **DANGER:** Electrocutation could occur if machine is connected to an electrical outlet that is not properly wired or grounded. Always use a 3-wire electrical system connected to electrical ground. For maximum protection, use a circuit that is protected by a ground fault circuit interrupter (GFCI). Consult your electrical contractor.

2. Connect the power cord to the machine and to the correct electrical source.
3. Press the power switch to the "ON" position.

MACHINE OPERATING INSTRUCTIONS

4. Press vacuum switch to the "ON" position.
5. Select "Floor" setting on the accessory switch.
6. Turn the traverse speed control to the desired position.
7. Turn pump pressure knob to desired setting.
8. Lower the recovery tool.
9. Apply pressure to either traverse switch on the control handle.
10. Adjust the brush to the proper carpet height setting.
11. Guiding the machine by the control handle, move across the floor in the forward direction.
12. Follow the path sequence.

NOTE: By properly planning the cleaning pattern, a minimum number of turns will need to be made. See figures 10a and 10b.

13. When cleaning in a corner, change the accessory switch to accessory, raise the brush, maneuver the machine as illustrated in figure 11. Lower the recovery tool, turn the accessory switch back to "Floor" and proceed with cleaning.

NOTE: If the extractor removes an excess amount of foam from the carpet, add a de-foamer such as Clarkare® Defoamer Concentrate to the recovery tank. The amount needed will vary according to the amount of detergent already in the carpet.

To stop the machine follow these procedures:

1. Press the accessory switch to "ACCESSORY".
2. Release pressure from the traverse switch on the control handle.
3. Raise the recovery tool handle to the "storage" position.
4. Wait 5 - 10 seconds to allow all dirty solution to reach the recovery tank, and then raise the recovery tool handle to the "OFF" position.

WARNING: Failure to turn all switches to the "OFF" position could result in injury or machine damage. Always position all of the switches into their "OFF" position when not in use.

WARNING: Machine can roll if left parked or unattended on an un-level surface and cause damage or injury. This machine is not equipped with a parking brake. Never leave the machine unattended. For added safety, always place a chock in front of and behind the drive wheel.

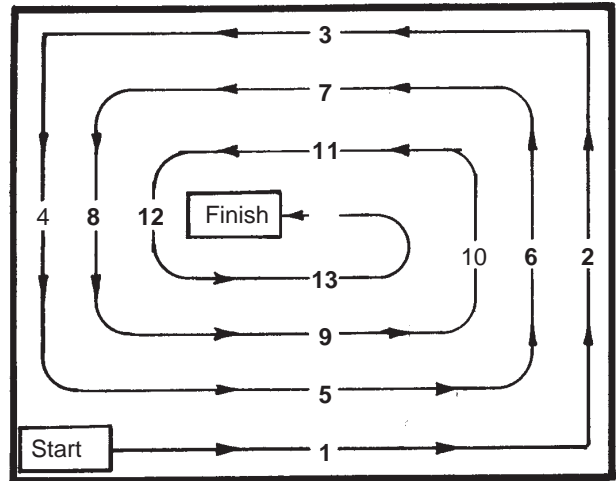


Figure 10a

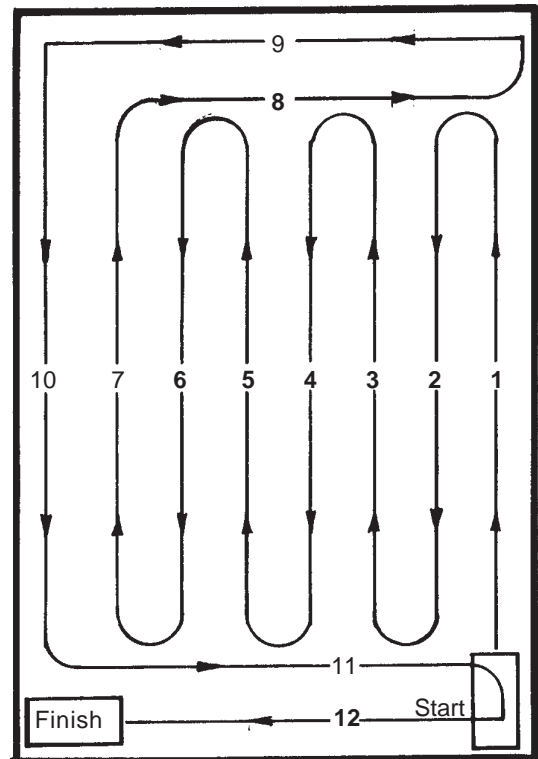


Figure 10b

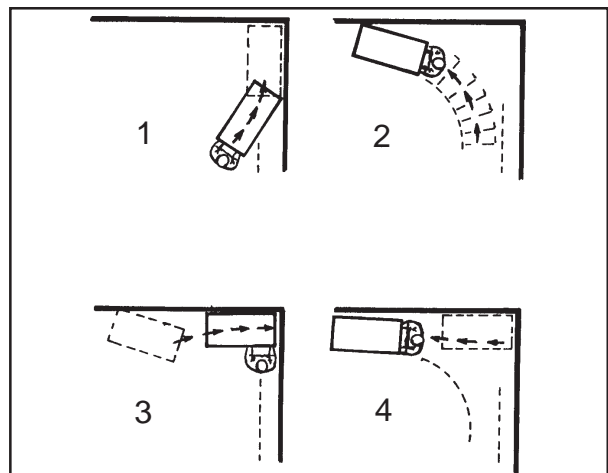


Figure 11

MACHINE OPERATING INSTRUCTIONS

After Each Use of the Machine

1. Disconnect the power cord from the outlet.
2. Drain and rinse out the recovery and the solution tank following this procedure:

For Recovery Tank

- a. Position the machine close to a floor drain or an appropriately sized bucket or container.
- b. Remove the hose from the fitting on the back of the machine.
- c. Put the end of the hose over a drain or bucket.
- d. Open the drain plug latch to release and drain tank.

For Rinse Tank

- a. Remove clear hose from top connector.
- b. Position in appropriate container or floor drain.
- c. Drain tank.


**TIP: To drain, disconnect from top plug and insert into vacuum hose up to the adaptor. Turn vacuum on. Empty recovery tank.*

NOTE: Make sure to drain both the recovery tank and the rinse tank. For chemical tank, solution should be emptied into proper storage container. Remaining soap in line must be removed by running water through rinse tank.

3. Use a clean dry cloth to wipe out both tanks and the recovery tool, both inside and out.
4. Leave the tanks and drain hoses open to dry in the air.
5. Inspect and clean the filter screen between the solution tank and pump.
6. Inspect and clean the prespray jets and the rinse jets.


After Cleaning the Carpet

1. Do not walk or place heavy objects on the carpet for at least four hours or until the carpet is dry to the touch.
2. Vacuum right after the carpet is dry and vacuum at least once a week, or as often as needed.

 **CAUTION: You are responsible for Operator error. Clarke will not be held liable for damage to the carpet or for poor results because of the operator's errors.**

3. To speed drying time of the carpet try a Clarke Direct Air carpet dryer.

MAINTENANCE

 **WARNING:** Machine damage or injury could occur if maintenance and repairs are performed by unauthorized personnel. Maintenance and repairs must be done by authorized personnel only. Use only genuine Clarke parts.

NOTE: For maintenance of optional tools, read the manual that is supplied with the tools.

Always empty the solution and recovery tanks before performing any maintenance to the machine.

After Each Use of the Machine

1. To prevent damage to the valves and to the jets, flush one gallon of clean water through the solution system.
2. If the auxiliary tools have been used, be sure to flush them out with clean water.
3. Disconnect the power cord from the outlet.
4. Drain and rinse out the recovery tank.
5. Use a dry cloth to wipe the recovery tank, and the tools both inside and out.
6. Inspect and clean the filter screen in the inlet hose to the pump.

How to Prevent Freezing Temperature Damage

To prevent damage from freezing temperatures, follow this procedure:

1. Remove any solution remaining in the solution tank.
2. Make sure that the machine and the pump are completely dry.
3. Make sure the machine is at room temperature before using it.

Electrical

NOTE: For electrical repairs, return this machine to a Clarke authorized repair center.

MAINTENANCE

Recovery Tool (See figure 12)

The recovery tool is factory adjusted for optimum performance. If further adjustment is necessary, remove adjustment assembly. Loosen locknuts and lengthen or shorten dimension "A" as required.

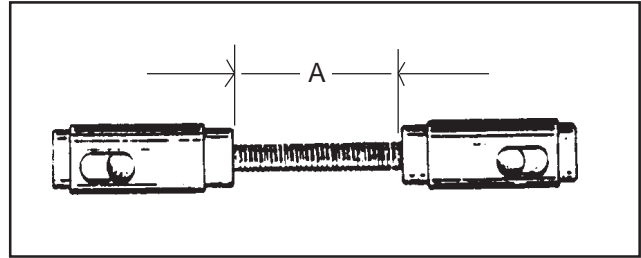


Figure 12

Vacuum Motor

This machine has a vacuum motor that uses carbon brushes. The carbon brushes in the motor must be checked every three months, or every 500 hours of operation, whichever comes first.

Changing the Brush

The machine comes with one brush (PN 30166A):

1. **Black** - for everyday, routine carpet maintenance (Part No. 30167A). This brush must be purchased separately.
2. **Black with white bristles on end** - for heavy-duty restoration carpet cleaning (Part No. 30166A). This brush is supplied with the machine.

These brushes are reversible. After bristles are worn reverse the direction the brush was placed on the machine (see figure 13).

The brush can be changed or rotated by using the quick change brush door (see figure 13):

1. Remove clamping knob.
2. Raise brush housing door approximately $\frac{1}{4}$ inch and pull out. Swing door up to remove brush.
3. Remove the spacer and brush from the brush housing.
4. Place brush onto the shaft. Slide brush in and rotate until the pins catch.
5. Place spacer on shaft.
6. Place end cap back onto the shaft.
7. Tighten clamping knob.

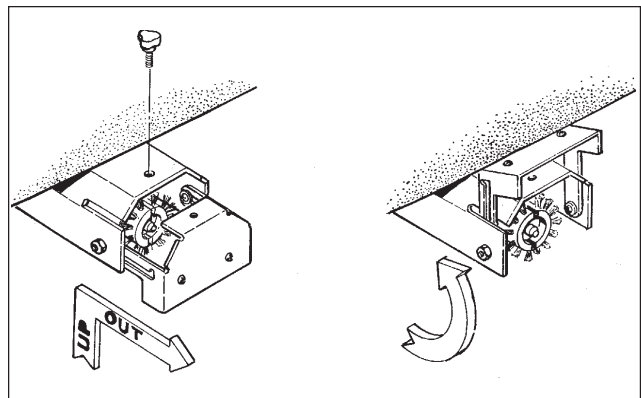


Figure 13

MAINTENANCE

Nozzles

To remove the **nozzles** to clean or change nozzles, follow this procedure:

Recovery Tool

1. Grasp the nozzle cap assembly and twist counterclockwise to remove assembly from the spray bar.
2. Pull the nozzle out of the cap.
3. Clean or replace the nozzle.
4. Replace nozzle back into cap.
5. Twist nozzle cap assembly back onto the spray bar.

Brush Housing

1. Pull nozzle assembly out to the right hand side of machine.
2. Firmly push nozzle in and turn 1/4 turn.
3. Pull nozzle out.
4. Clean and replace into nozzle assembly.
5. Replace nozzle assembly in brush housing.

Clarke[®]

IMAGE 26E

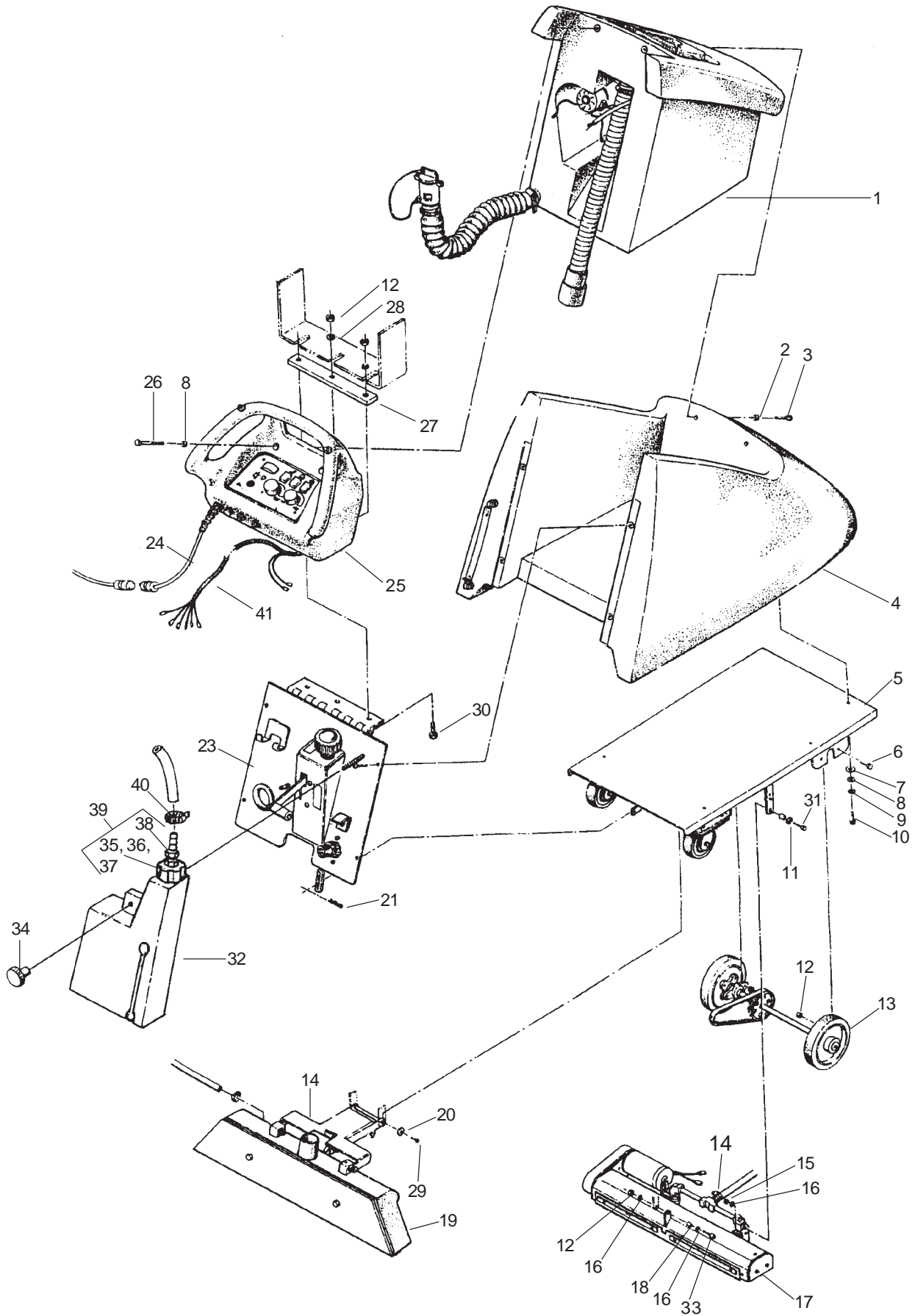
WASH&RINSE[®]

Section II
Parts and Service Manual

How to Correct Problems in the Machine

Problem	Cause	Action
The machine does not move.	The Power switch is off.	Turn on the "Power" switch.
	The traverse switch is defective.	Contact an authorized service person
There is no solution flow.	Solution control dial in wrong position.	Turn dial to position for more flow.
	Accessory Switch in wrong position.	Change to desired position.
	The solution tank is empty.	Fill the solution tank.
	There is an obstruction in the solution hose or filter.	Remove the obstruction from the hose or filter.
	Solenoid is defective.	Contact an authorized service person
	Pump is defective	Contact an authorized service person
The machine doesn't extract solution from the floor.	The recovery tank is full.	Drain the recovery tank.
	The recovery tool is not resting on the floor.	Lower and/or adjust the tool.
	Filter screen plugged	Clean screen and replace.
	Opening in recovery tool is plugged.	Clean and retry.
The cleaning is not even.	The brush is worn.	Replace / reverse the brush.
	The brush in not level.	Level brush on floor using leveling screws on brush door.
	There is damage to the brush module or spray assembly.	Contact an authorized service person.
	The solution level is low.	Fill the solution tank.
	Too little solution.	Increase solution flow.
Uneven or no spray from nozzles.	Dirty or plugged spray nozzles.	Clean the spray assembly or nozzles.
	Worn spray nozzles.	Replace spray assembly or nozzles.
Water leaks from the spray nozzles with the pump "OFF".	Debris in the check valve.	Contact an authorized service person.
	Defective check valve.	Contact an authorized service person.
There is no suction.	The vac motor is not running.	Turn vac motor switch on.
	Vacuum hose obstruction.	Remove the obstruction.
	Vacuum intake screen covered.	Clean and retry.
	Vac hose damaged.	Replace the hose.
	The dome gasket worn or damaged.	Replace the gasket.
	Motor brushes are worn.	Replace motor brushes.
	Loose motor connection.	Contact an authorized service person.

Clarke® Image 26E
Final Assembly Drawing 5/05

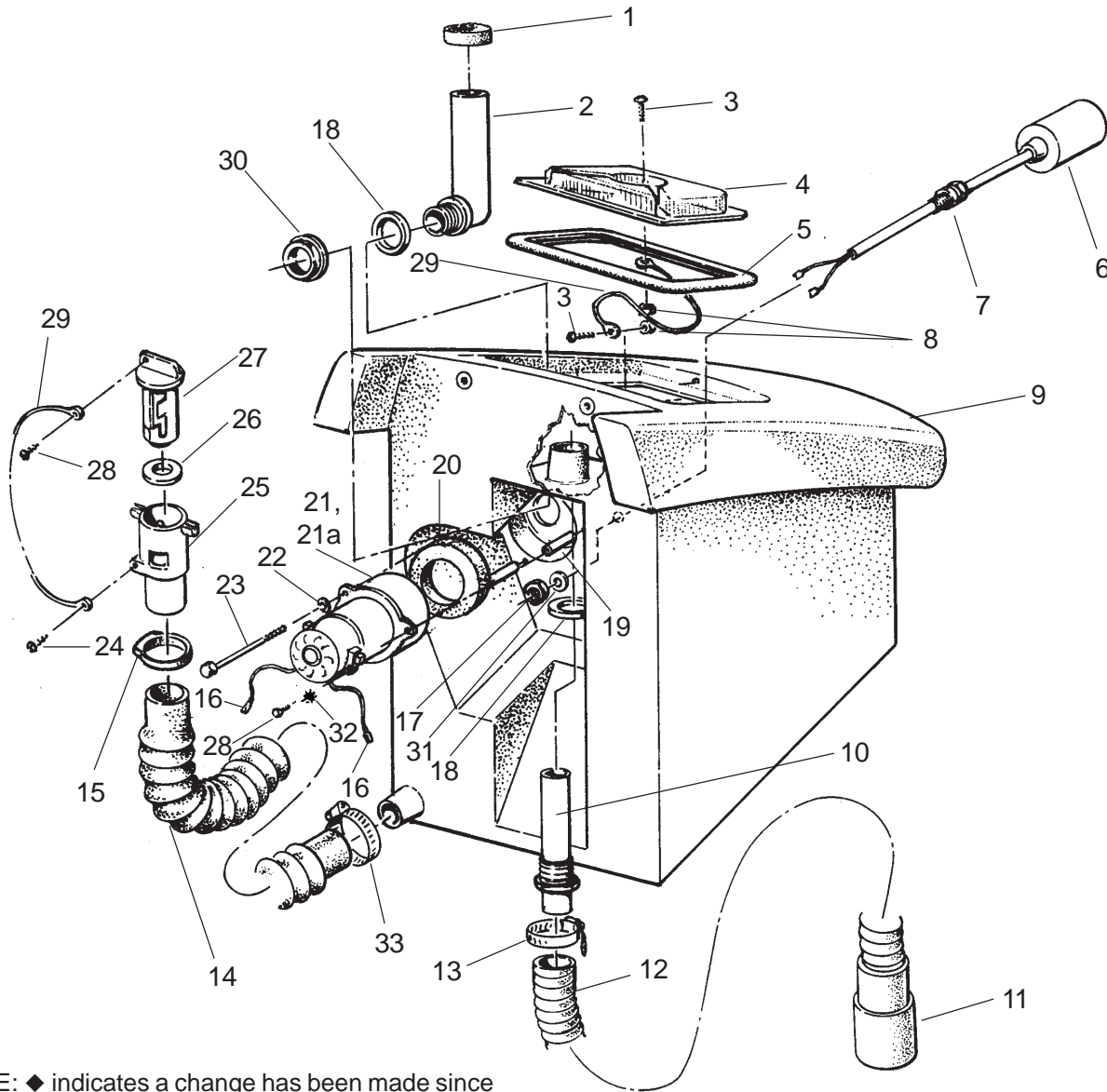


Clarke® Image 26E
Final Assembly Parts List 5/05

Ref	Part No.	Description	Qty
1	19196A	Tank Asm, Recovery	See pg. 24
2	980099	Washer	2
3	85389A	Screw	2
4	19195A	Tank Asm., Solution	See pg. 27
5	14548A	Main Frame Asm.	See pg. 28
6◆	962481	Screw	4
7	87002A	Washer, Flat	6
8◆	980645	Washer, Flat	8
9	170883	Washer, Lock	6
10	962244	Screw	6
11	Pg. 28	Spacer	2
12	81102A	Nut	6
13	13005A	Drive Asm.	See pg. 30
14	50248A	Clamp	1
15	Pg. 28	Nut, ¼-20 Elas.	6
16	Pg. 28	Washer, ¼ Flat	6
17	15727A	Housing Asm, Brush	See pg. 31
18	50249A	Spacer (608210)	4
19	19225A	Tool Asm., Recovery	See pg. 32
20	980982	Washer #10 Flat	2
21	836711	Hairpin	1
23	17658A	Panel Asm., Rear	See pg.26
24	40149A	Harness, Wiring	1
25	15350A	Handle Asm.	See pg. 25
26	962522	Screw	2
27	64247A	Plate, Locking	1
28	170886	Washer	2
29◆	170803	Screw, 10-24 x ½	2
30	962481	Screw, .25-20 x 1¼	3
31	Pg. 28	Screw	2
32	30089A	Tank, Chemical	1
33◆	85806A	Screw, ¼-20 x ¾ Hex	1
34	51210A	Knob, Chemical Tank	1
35	30090B	Cap, Chemical Jug	1
36	52333A	Hosebarb	1
37	51208A	Tip, Chemical Metering	1
38	80134A	Fitting, Swivel	1
39	10219A	Cap Asm. (incl. 35, 36, 37, 38)	1
40◆	52476A	Clamp	1
41	40167A	Harness, Machine	1

NOTE: ◆ indicates a change has been made since the last publication of this manual.

Clarke® Image 26E
Recovery Tank and Hose Assembly Drawing and Parts List 5/05

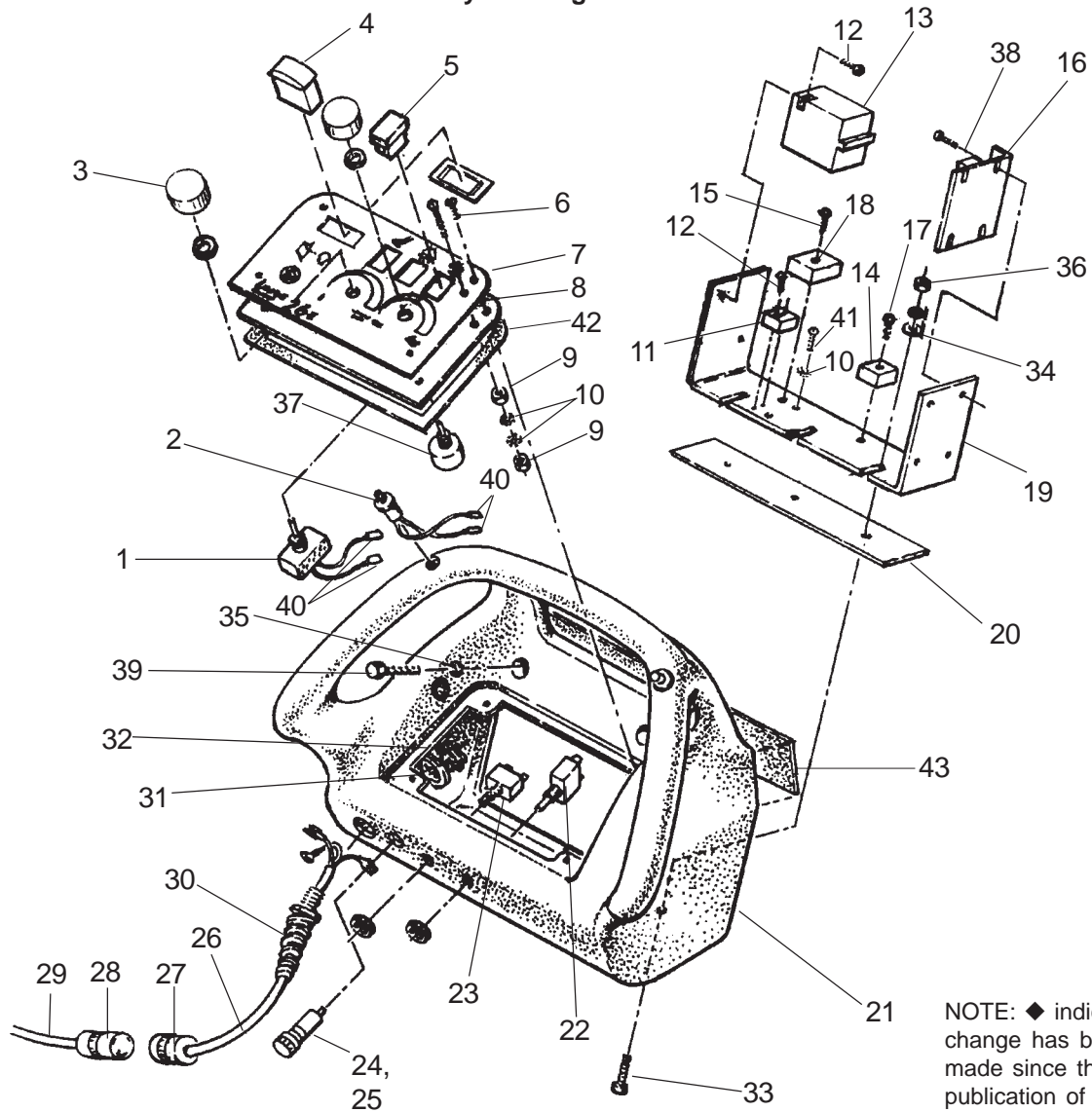


NOTE: ♦ indicates a change has been made since the last publication of this manual.

Ref	Part No.	Description	Qty
1	58069A	Screen, Vac Filter	1
2	39339B	Tube, Stand Rec. Tank	1
3	962666	Screw, 10-24 x 3/4	2
4♦	36204C	Lid, Recovery	1
5	34265A	Gasket, Recovery Lid	1
6	47419A	Switch, Float	1
7	56459A	Strain Relief	1
8	81110A	Nut, Hex 10-24 Elastic	2
9	38824B	Tank, Recovery W/R	1
10	30132A	Adaptor, Asm. Vacuum	1
11	51863A	Cuff, Hose 2"	1
12	30462A	Hose, Recovery	1
13	872010	Clamp, Hose	2
14	30449A	Hose, Drain	1
15	832002	Clamp (Drain Valve)	1
16	47708A	Terminal 1 1/4 FIMQD	2
17	82100A	Locknut, 1/2"	1

Ref	Part No.	Description	Qty
18	837304	O-Ring, Retainer	2
19	58533A	Spacer, Vac Motor	3
20	643418	Gasket, Vac Motor	1
21	44911R	Motor, Vacuum 120V	1
21a	40833A	Brush Asm., Carbon	2
22	87026A	Washer, 1/4 Flat	3
23	85728A	Screw, 1/4-20 x 4.00 Hex Hd.	3
24	962943	Screw, 8-18 x 1/2	1
25	839401	Drain, Valve	1
26	833407	Gasket, Drain	1
27	833901	Handle, Drain Valve	1
28	962987	Screw, 10-24 x 3/8	2
29	38020A	Strap, Cover	2
30	920797	Locknut, Drain Valve	1
31	59877A	Washer, 1/2NPT Sealing	1
32	980603	Washer	1
33	52365A	Clamp, Hose	1

Clarke® Image 26E
Handle Assembly Drawing and Parts List 5/05

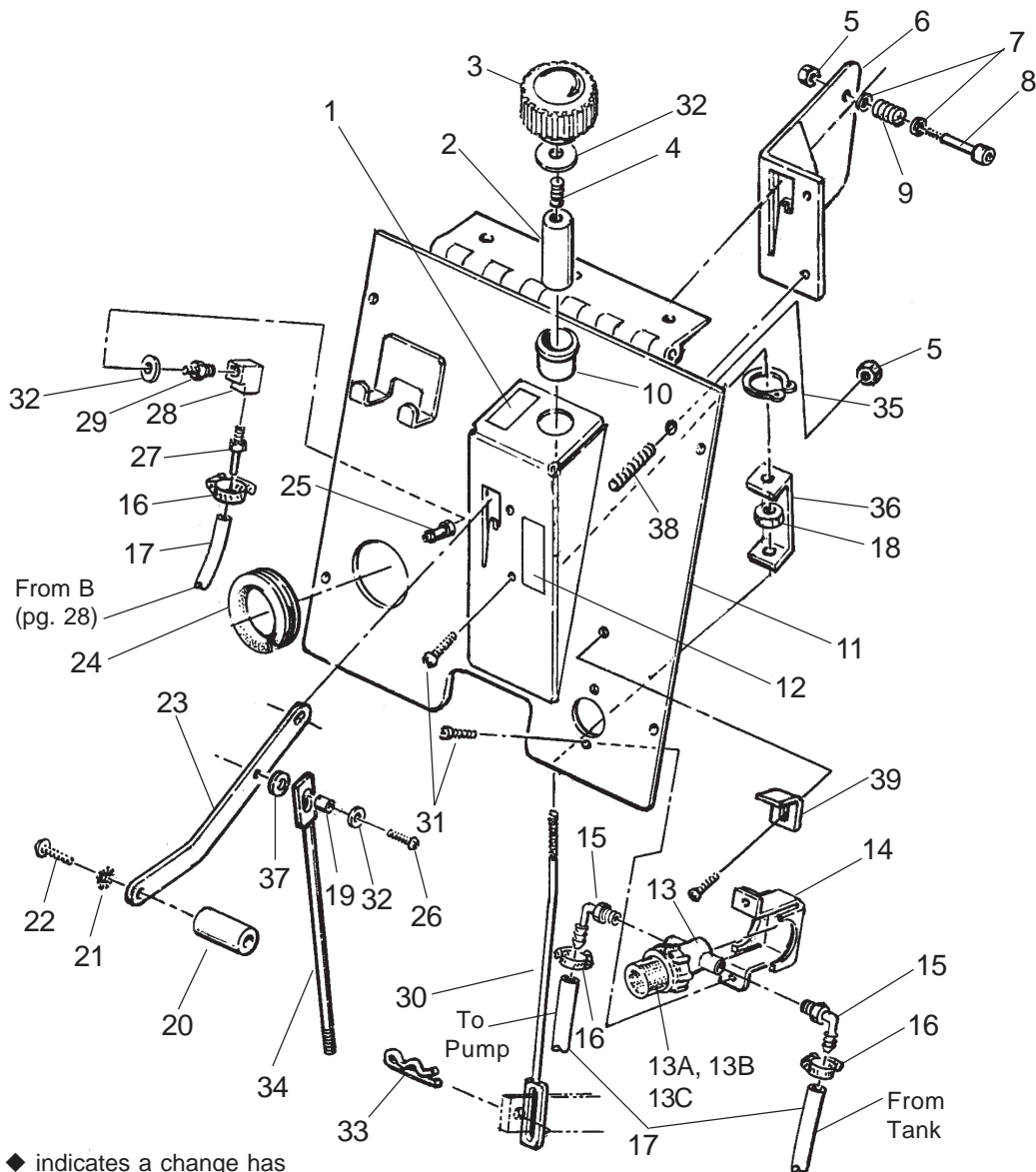


NOTE: ◆ indicates a change has been made since the last publication of this manual.

Ref	Part No.	Description	Qty
1	52504A	Control, Speed Variable	1
2◆	53077B	Switch, Forward/Reverse	2
3	55502A	Knob, Speed Control	2
4	44417A	Meter, Brush Pressure	1
5	47316B	Switch, Rocker DPST	3
6	962968	Screw, 10-24 x 1/2 Pan Hd	5
7◆	77369A	Label, Control Panel	1
8	69385A	Panel, Control	1
9	920200	Nut, Hex 10-24	2
10	980603	Washer, #10	3
11	912059	Terminal Block	1
12	962979	Screw 6-32 x 1/2 PN	4
13	41805A	Contact, Wire 115V	1
14	48416B	Relay, Isolation 115V	1
15	85307A	Screw, 10-32 x 5/8	1
16	41159A	Control, Motor Speed	1
17	98470A	Screw, 10-32 x 1	1
18	46103A	Rectifer, Bridge	1
19	64246A	Plate, Handle	1
20	64247A	Plate, Retaining	1
21	34812A	Handle, Control	1
22◆	41430B	Breaker, Circuit 1.5 Amp	1

Ref	Part No.	Description	Qty
23	40011A	Breaker, Circuit 2.5 Amp	1
24	912201	Fuse Holder 115V	1
25	42911A	Fuse, 1.25A - 250V	1
26	41975A	Cord, Interconnect	1
27	912169	Plug, Electrical	1
28	911461	Connector, Electrical	1
29	42180A	Cord, Power Less Receptacle	1
30	467504	Strain Relief	1
31	170870	Washer, Flat 7/8	1
32	82100A	Locknut, 1/2" Conduit	1
33◆	85700A	Screw, 1/4-20 x 1 1/4	3
34◆	980646	Washer, 1/4 Flat	3
35	980645	Washer, 3/8 Flat	2
36◆	81102A	Nut, 1/4 -20 Elastic	3
37	45702A	Potentiometer Asm.	1
38	85303A	Screw, 8-32 x 3/8	4
39	962522	Screw, 3/8-16 x 2	2
40	47905A	Terminal	4
41	962929	Screw, 10-32 x 3/8	1
42	30032A	Gasket, Control Panel	1
43	30033A	Gasket, Handle	1
NI	49791A	Harness	1

Clarke® Image 26E
Rear Panel Assembly Drawing and Parts List 5/05

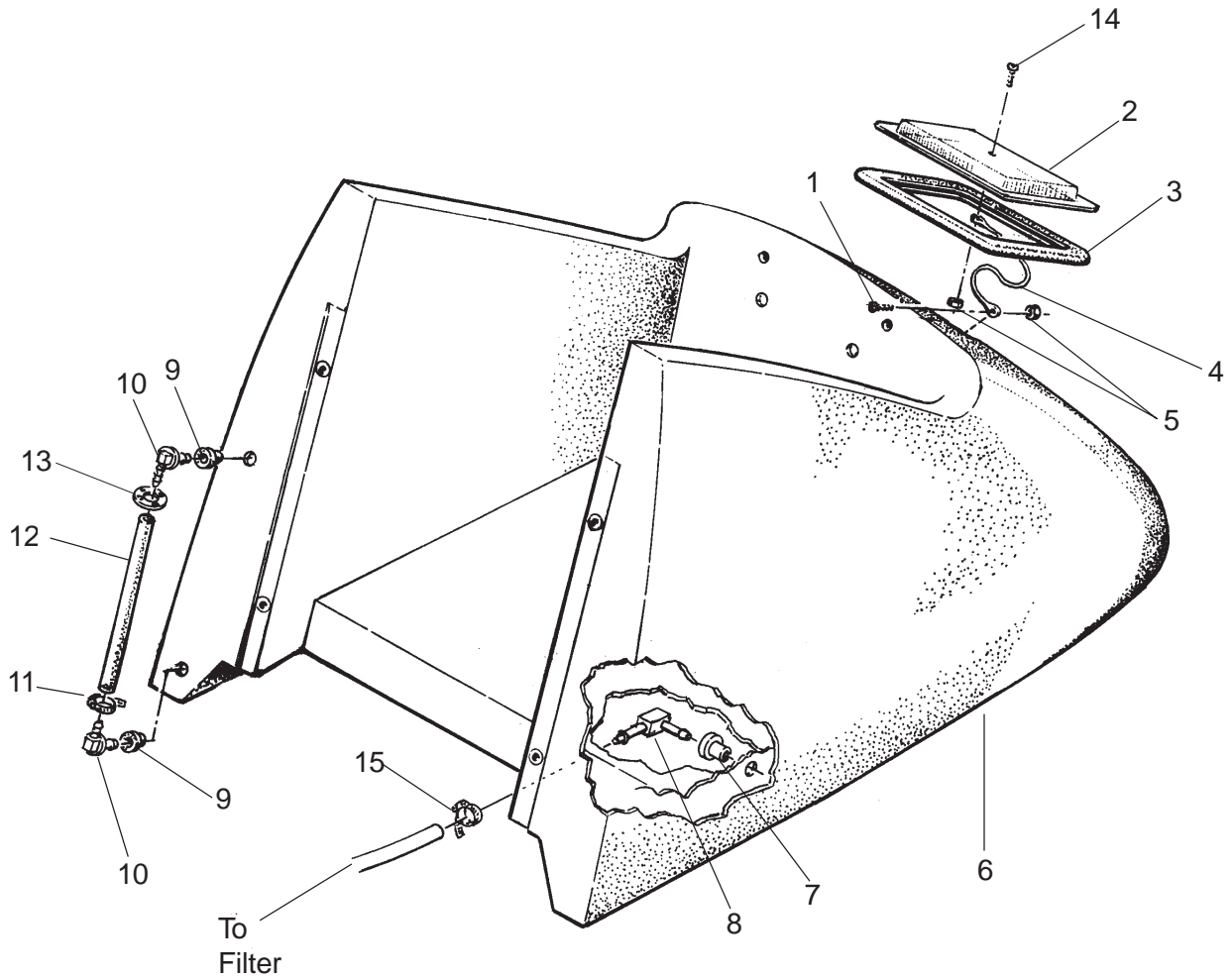


NOTE: ◆ indicates a change has been made since the last publication of this manual.

Ref	Part No.	Description	Qty
1	77366A	Brush, Adjustment Label	1
2	61685A	Control, Brush Height	1
3	55537A	Knob, Head Pressure	1
4	86207A	Screw, Set $\frac{3}{8}$ -16 x $1\frac{1}{2}$	1
5	81102A	Nut, $\frac{1}{4}$ -20 ESNA	2
6◆	66254A	Plate, Wear	1
7	980692	Washer $\frac{5}{16}$ Flat	2
8	80028A	Bolt, Shoulder, $\frac{5}{16}$ x 1	1
9	438360	Spring, Adjuster Lift	1
10	51535A	Bushing, $\frac{5}{8}$	1
11	68794A	Cover, Rear	1
12	77367A	Label, Rec. Tool	1
13	53050A	Strainer, Bowl 80 x 80 Mesh	1
13A	50018A	Bowl, Clear Filter	1
13B	54369A	Gasket, Viton	1
13C	58061B	Filter, Screen	1
14	61271A	Bracket, Filter	1
15	732870	Elbow, $\frac{3}{8}$ Barb. to $\frac{1}{4}$ MPT	2
16	50248A	Clamp, Hose #6	3
17	30425A	Hose, Air $\frac{3}{8}$ I.D. x $\frac{5}{8}$ O.D.	ref.
18	80062A	Nut, $\frac{5}{16}$ -18	1

Ref	Part No.	Description	Qty
19	608210	Spacer	1
20	64490A	Handle, Squeegee Lift	1
21	980666	Washer, $\frac{3}{8}$ Ext. Star	1
22	85389A	Screw $\frac{3}{8}$ -16 x $\frac{5}{8}$ PN	1
23	64906A	Lift, Recovery	1
24	39102A	Trim-Frame	1
25	737140	Quick Disconnect	1
26	962430	Screw	1
27	55167A	Hosebarb, $\frac{3}{8}$ x $\frac{1}{4}$ NPT	1
28	170040	Elbow, $\frac{1}{4}$ x 90 degree	1
29	697501	Reducer, $\frac{1}{4}$ NPT	1
30	65444A	Lift, Brush	1
31	85391A	Screw	4
32	980645	Washer, $\frac{3}{8}$ Flat	3
33	836711	Pin	1
34	65447A	Lift, Recovery Tool	1
35	857345	Ring, Retaining	1
36	60064A	Bracket, Retaining	1
37	87618A	Washer	1
38	51209A	Pin, Chemical Jug	1
39	60491A	Bracket, Chemical Jug	1

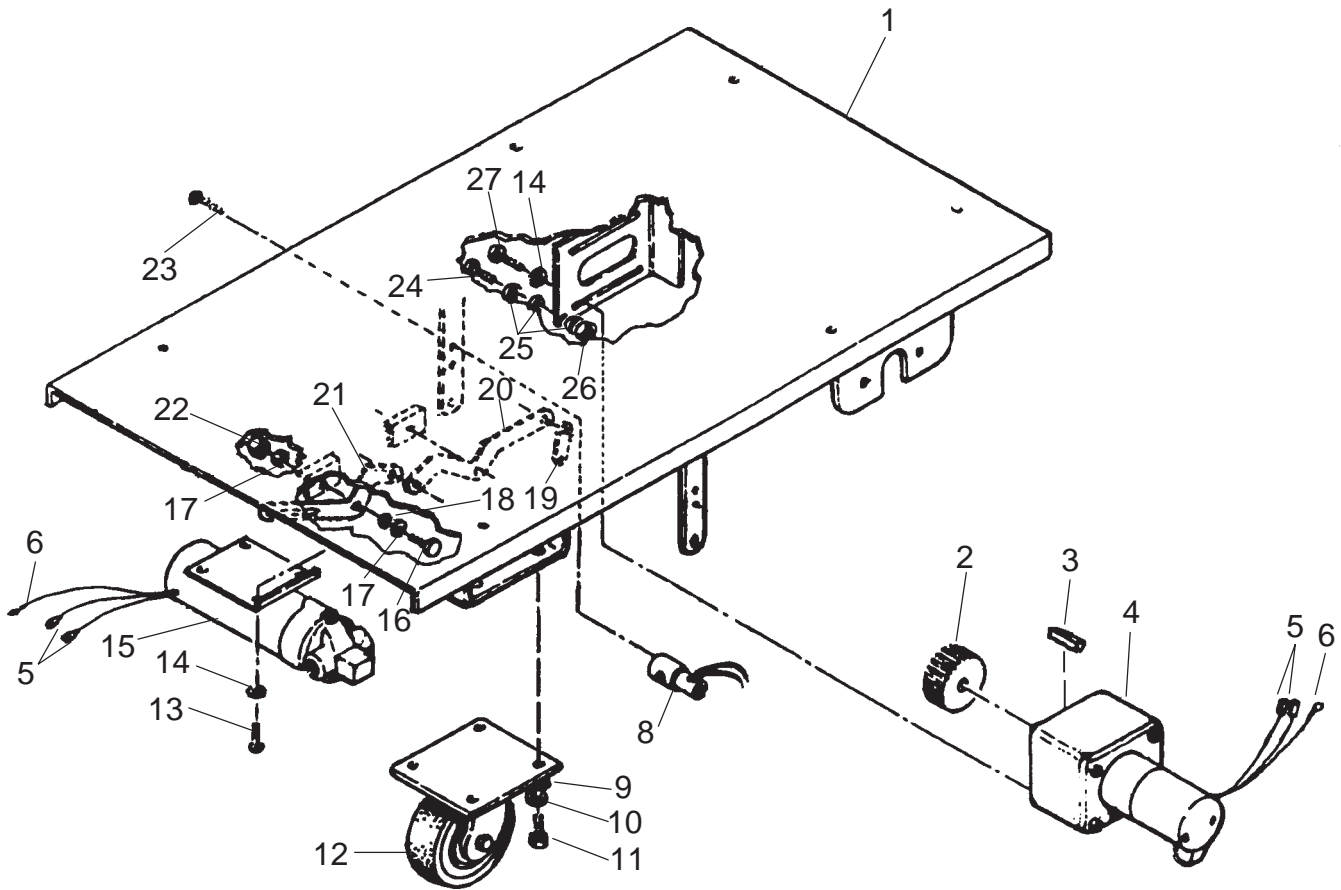
Clarke® Image 26E
Solution Tank Assembly Drawing and Parts List 5/05



Ref	Part No.	Description	Qty
1	962666	Screw, 10-24 x 3/4	1
2	36200A	Lid, Solution Tank	1
3	34266A	Gasket, Solution Tank Lid	1
4	38020A	Strap, Cover	1
5	81110A	Nut, #10-24 ESNA	2
6	38825A	Tank, Solution (Incl. #'s 7, 8, 9, 10)	1
7	51518A	Bushing, Hose Connection	1
8	51526A	Bushing, Drain	1
9	31242A	Bushing, .50 I.D.	2
10	55189A	Hosebarb, .50 x 90 degree	2
11	722030	Clamp, Hose #6	1
12	34712A	Hose, Solution Level	1
13	60218A	Plug, Drain	1
14	962798	Screw	1
15◆	50248A	Hose Clamp	1

NOTE: ◆ indicates a change has been made since the last publication of this manual.

Clarke® Image 26E
Frame Assembly Drawing and Parts List 5/05

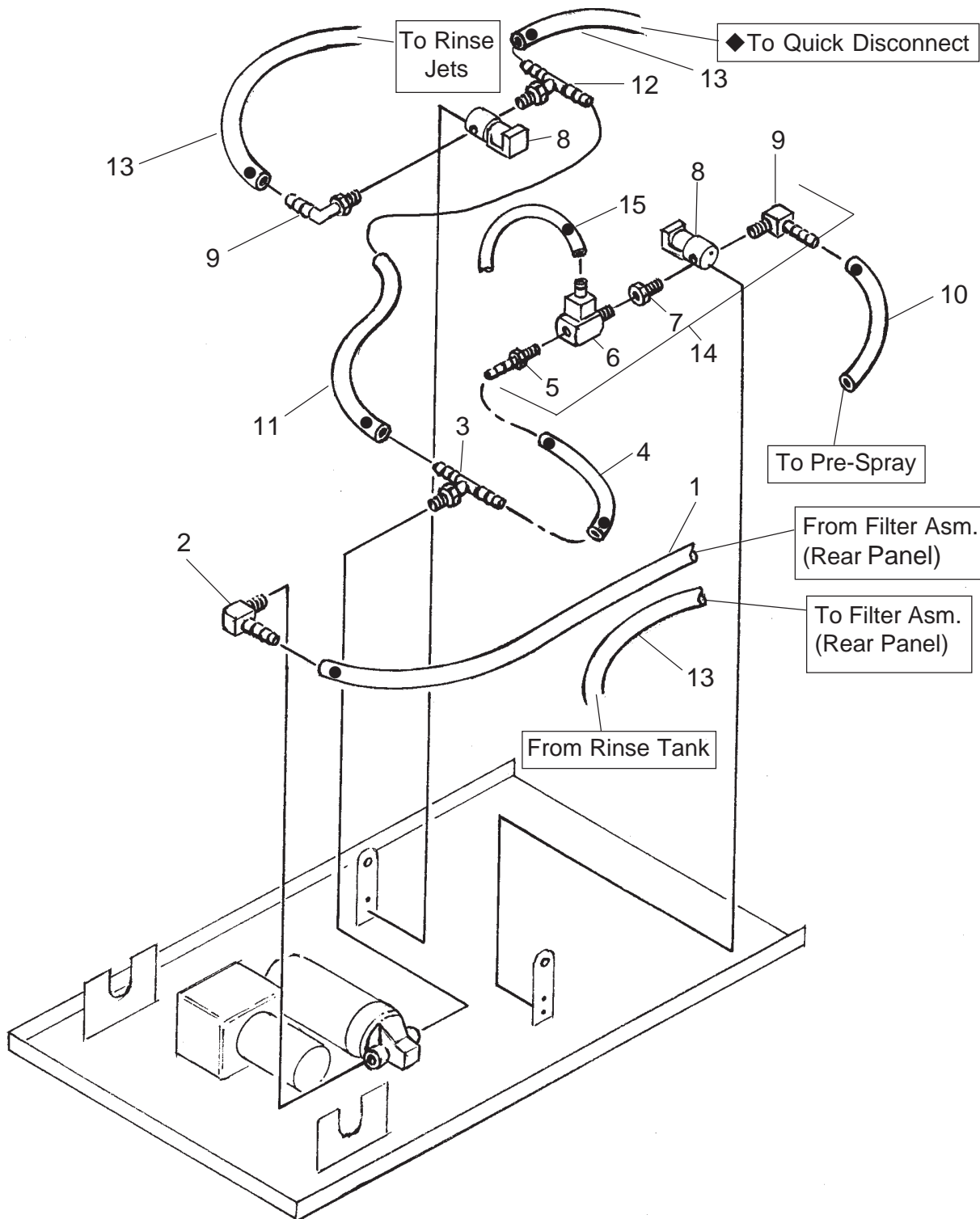


Ref	Part No.	Description	Qty
1◆	60485A	Mainframe	1
2	58708A	Pulley, Traverse Driven	1
3	915561	Key	1
4	44719A	Motor, Traverse	1
5	47905A	Terminal, ¼ FIMQD	4
6	911933	Terminal, #10 Ring	2
8	59622A	See pg. 29 item 8	1
9	980645	Washer, Flat ¾ (see final asm.)	16
10	170883	Lockwasher ¾ (see final asm.)	14
11	85822A	Screw, ¾-16" x 5/8	8
12	51321A	Caster, 5" Asm.	2
13	962794	Screw, 10-24 x 1	4
14	980982	Washer, #10 Flat	8

Ref	Part No.	Description	Qty
15	51206A	Pump, 115V	1
16	85806A	Screw, ¼-20 x 1	5
17	980646	Washer, ¼ Flat	10
18	50249A	Spacer, Handle	5
19	60460A	Arm, Brush Lift	1
20	60462A	Arm, Brush Lift	1
21	60461A	Arm, Lift	1
22	81102A	Nut, ¼-20	5
23	962027	Screw, #8-32 x ½	4
24	98470A	Screw	1
25◆	980603	Washer	3
26	920224	Nut	1
27	84237A	Screw, 10-32 x ½	4

NOTE: ◆ indicates a change has been made since the last publication of this manual.

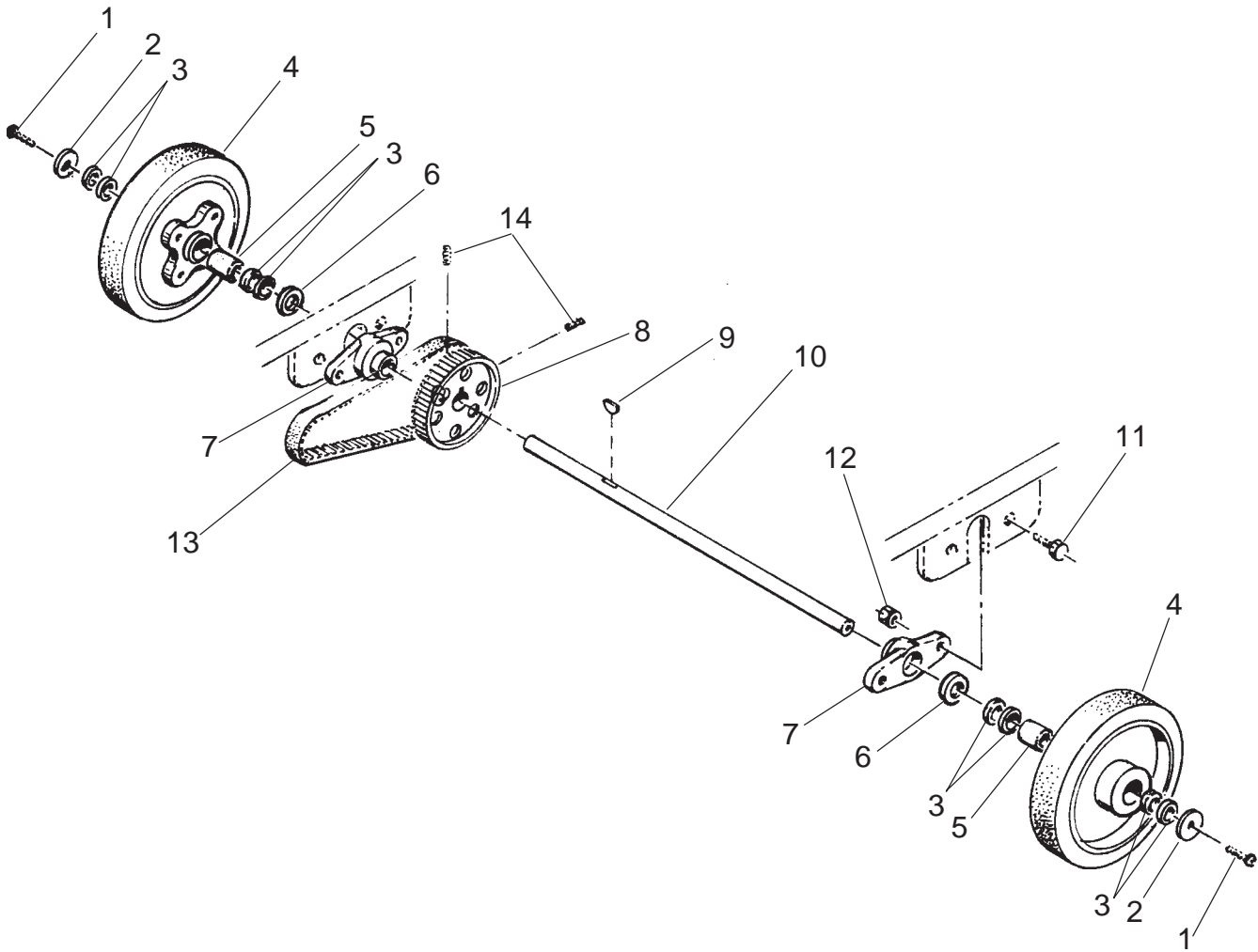
Clarke® Image 26E
Plumbing Detail Drawing and Parts List 5/05



Ref	Part No.	Description	Qty
1	35168A	Hose, Air $\frac{3}{8}$ x 40"	1
2	53616A	Elbow, $\frac{3}{8}$ MPT x $\frac{3}{8}$ Barb.	1
3	51212A	Tee, $\frac{3}{8}$ NPT x $\frac{3}{8}$ Barb.	1
4	35147A	Hose, Solution Intake	1
5	690209	Adaptor	1
6	51207A	Injector, Chemical	1
7	851144	Bushing	1
8	59622A	Valve, Solenoid	2

Ref	Part No.	Description	Qty
9	732870	Elbow, $\frac{3}{8}$ Barb. to $\frac{1}{4}$ M	2
10	694117	Hose, Discharge	1
11	694116	Hose, Intake	1
12	59016A	Tee, Branch $\frac{1}{4}$ x $\frac{3}{8}$	1
13	30425A	Hose, $\frac{3}{8}$	3
14	10221A	Injector Asm. (incl. 5, 6, 7, 8, & 9)	1
15	722021	Clamp, Hose	1
• =	50248A	Clamp, Hose	8

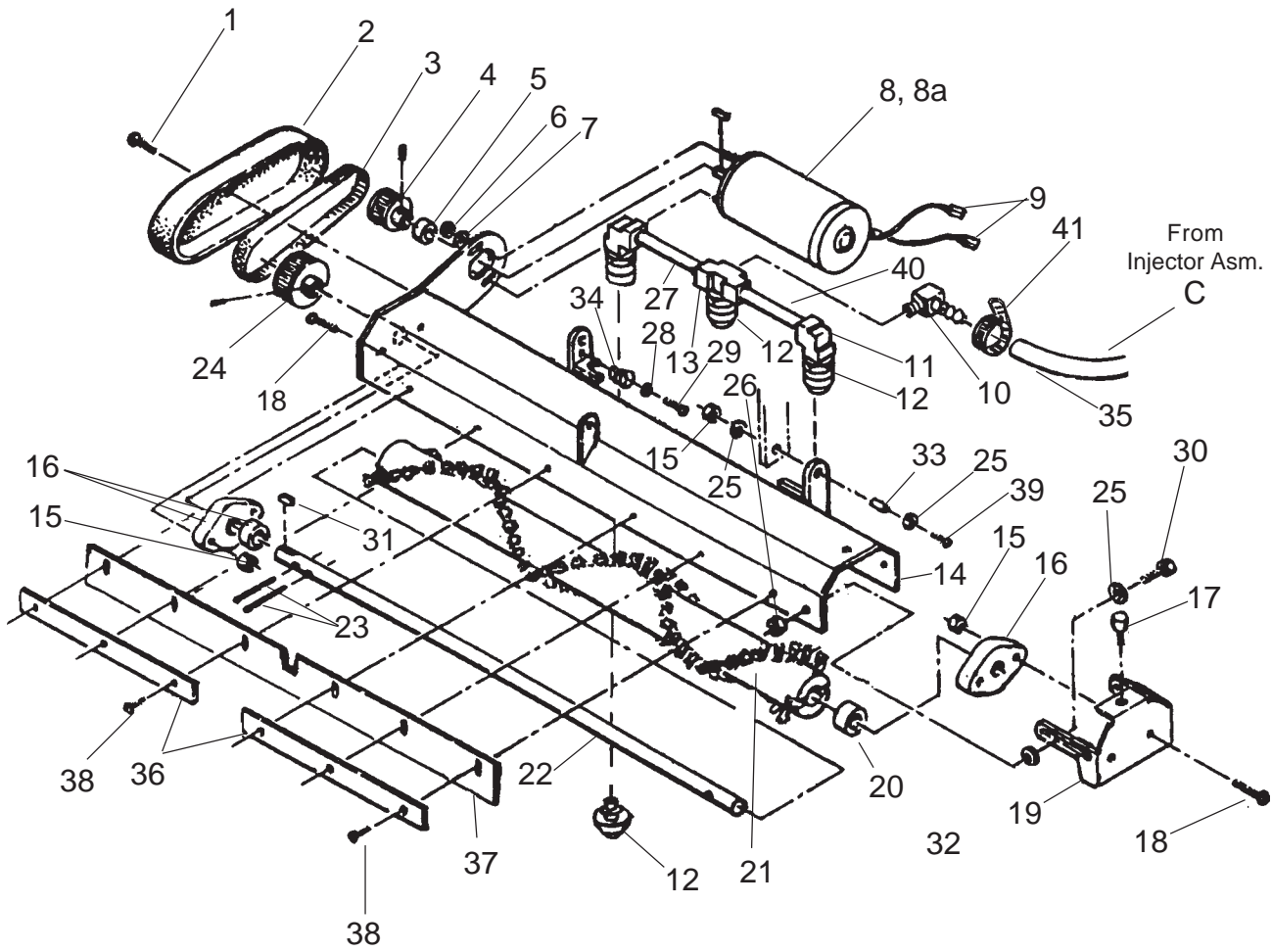
Clarke® Image 26E
Drive Assembly Drawing and Parts List 5/05
Form # 13005A



Ref	Part No.	Description	Qty
1	85804A	Screw, .25-20	2
2	87058A	Washer, Retainer	2
3	58111A	Seal, Oil	8
4	50273A	Wheel, Drive	2
5	51124A	Bearing, Roller Clutch	2
6	980679	Washer, 3/4 Flat	2
7◆	52495A	Block, Bearing	2
8	58709A	Sprocket, Traverse Driven	1
9	55400A	Key, 3/16x 5/32	1
10	67480A	Shaft, Wheel	1
11◆	962481	Screw, 1/4-20 x 1	4
12	81102A	Nut, 1/4-20 (see final asm.)	4
13	50915A	Belt, Traverse Drive (see final asm.)	1
14	962268	Set Screw (included w/#8)	2

NOTE: ◆ indicates a change has been made since the last publication of this manual.

Clarke® Image 26E
Brush Assembly Drawing and Parts List 5/05

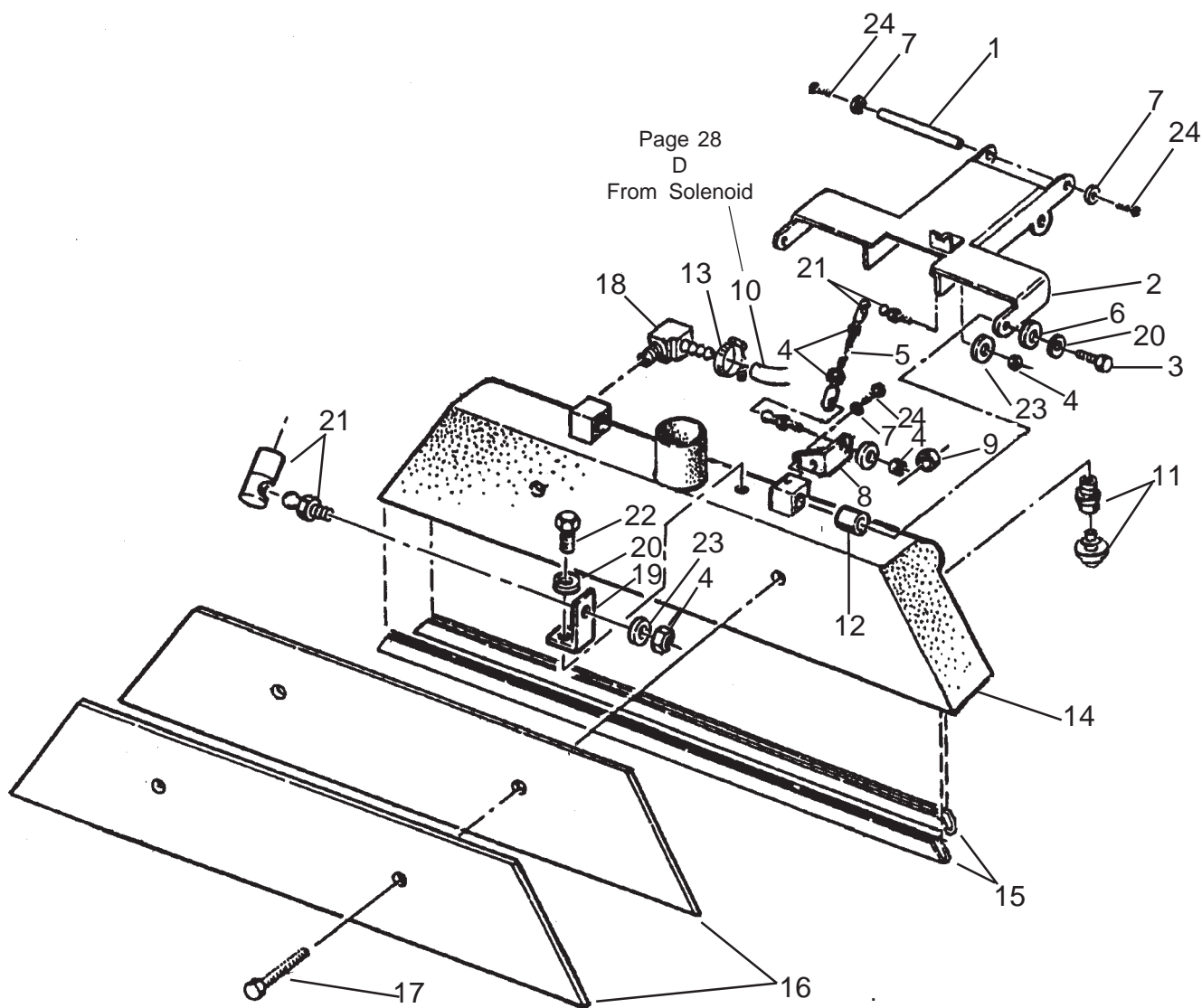


NOTE: ◆ indicates a change has been made since the last publication of this manual.

Ref	Part No.	Description	Qty
1	85391A	Screw, 1/4-20 x 5/8	2
2	30029A	Cover, Belt	1
3	50928A	Belt, Brush Drive	1
4	57268A	Pulley, Timing 1/5 Pitch	1
5	58517A	Spacer, Motor	1
6	920224	Nut, 10 x 32 Hex	2
7	980603	Washer, Lock #10 Ext Tooth	2
8	45041A	Motor, Brush 1/4 HP	1
8a	40832A	Brush, Carbon	2
9	47905A	Terminal, 1/4 FIMQD	2
10	732870	Elbow, 3/8 MPT x 3/8 Barb	1
11	53639A	Elbow, 1/4 NPT x 90 degree	2
12	51370A	Nozzle, Pre-Spray	3
12a	52550A	Nozzle, Pre-Spray Plastic	(3)
13	51369A	Tee, Pipe 1/4	1
14	63436B	Frame, Weldment Brush	1
15	81102A	Nut, .25-20 ESNA	6
16	53399A	Bearing Asm.	2
17	55518A	Knob, Clamping	1
18	85390A	Screw, 1/4-20 x 1 1/4	4
19	60089A	Door, Brush End	1
20	38708A	Spacer, Brush End	1

Ref	Part No.	Description	Qty
21	30167A	Brush, Bristle Maintenance	1
	30166A	Brush, Bristle Restoration	1
22	67481A	Shaft, Brush Pivot	1
23	50436A	Pin, Brush Drive	2
24	57247A	Pulley, Brush Driven	1
25◆	980646	Washer, Flat 1/4	6
26	81109A	Nut, Hex Elastic	2
27	56365A	Nipple, 1/4 x 4.00	2
28	980982	Washer, #10	3
29	962333	Screw, 10-24 x 1/4	1
30	962027	Screw, 8-32 x 3/8	2
31	915082	Key	1
32	58548A	Spacer, Brush Door	2
33	69715A	Spacer	2
34	53426A	Spring	1
35	Ref.	See page 23, ref. #28	ref.
36	66941A	Retainer, Skirt	2
37	38219A	Skirt, Brush Housing	1
38	84237A	Screw	6
39	85700A	Screw	2
40	10220A	Bar Asm. - Pre-Spray (incl. 11, 12, 13 & 27)	1
41◆	50248A	Hose Clamp	1

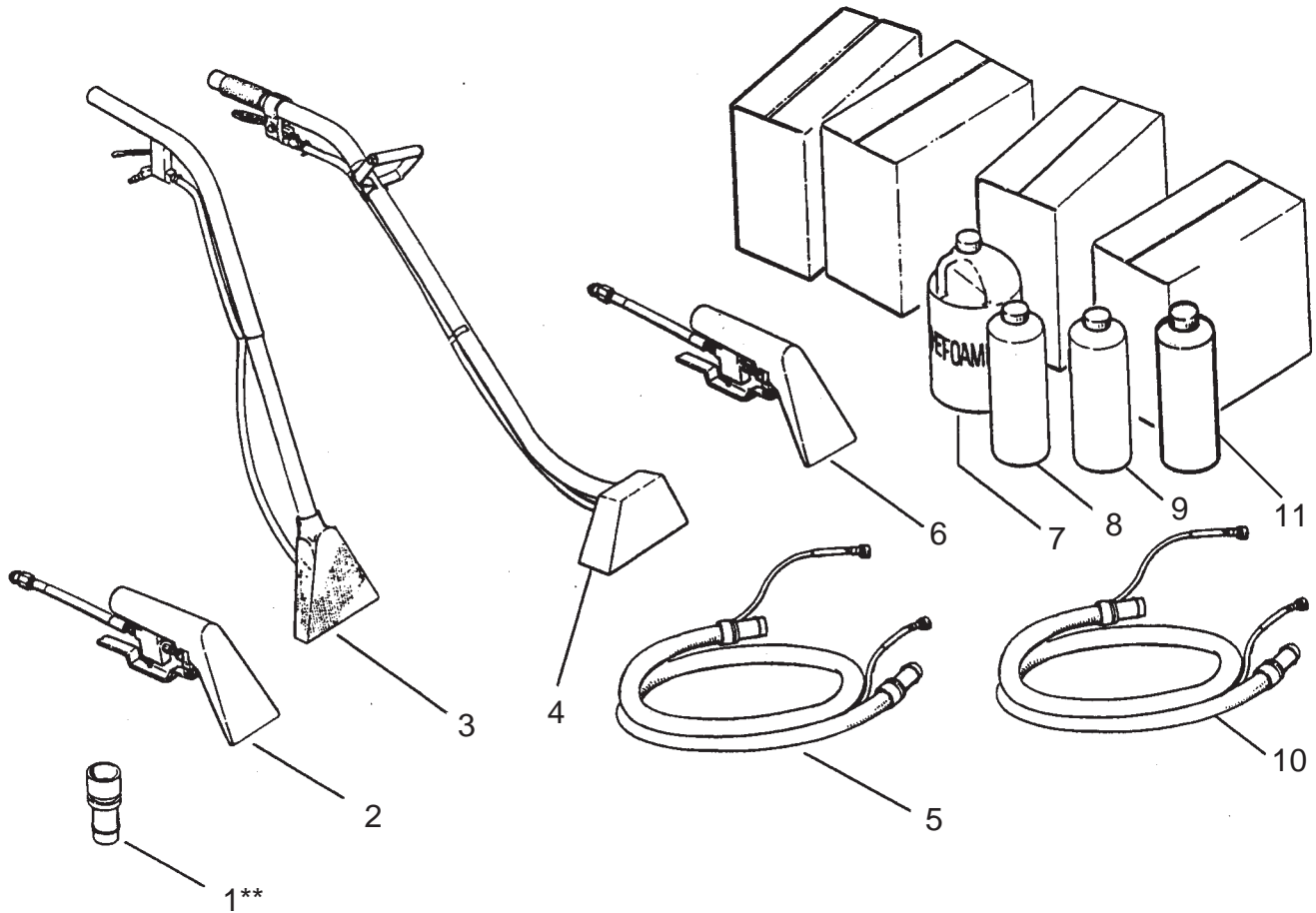
Clarke® Image 26E
Recovery Tool Assembly Drawing and Parts List 5/05



Ref	Part No.	Description	Qty
1	67479A	Shaft, Recovery Tool	1
2	63434A	Lift, Recovery Weldment	1
3	962086	Screw, .25-20 x 2.00 Pan	2
4	81306A	Nut, Hex ⁵ / ₁₆ -24	4
5	67164A	Rod, Recovery Tool Adj.	1
6	87618A	Washer, Nylon	2
7	980982	Washer, #10 Flat	4
8	65980A	Bracket, Rec. Tool	1
9	920110	Nut, Lock ⁵ / ₁₆ -18	2
10	Ref.	See page 23, #29	ref.
11	51320A	Nozzle, Rinse	4
11a	52549A	Nozzle, Rinse (Plastic)	4
12	608210	Spacer	2

Ref	Part No.	Description	Qty
13	50248A	Clamp, Hose #6	1
14	27201A	Shoe, Recovery	1
15	67619A	Shoe, Recovery Tool	2
16	68808A	Weight, Recovery Tool	2
17	85615A	Screw, .31-18 x 1.25 Pn	2
18	732870	Elbow, ³ / ₈ Barb x ¹ / ₄	1
19	61541A	Bracket, Rec. Tool	1
20	980646	Washer, Flat	3
21	50546A	Ball-Joint, Recovery Tool	3
22	962288	Screw	1
23	980652	Washer	3
24	170803	Screw, 10-24 x ¹ / ₂	4

Clarke® Image 26E
Available Accessories 12/00

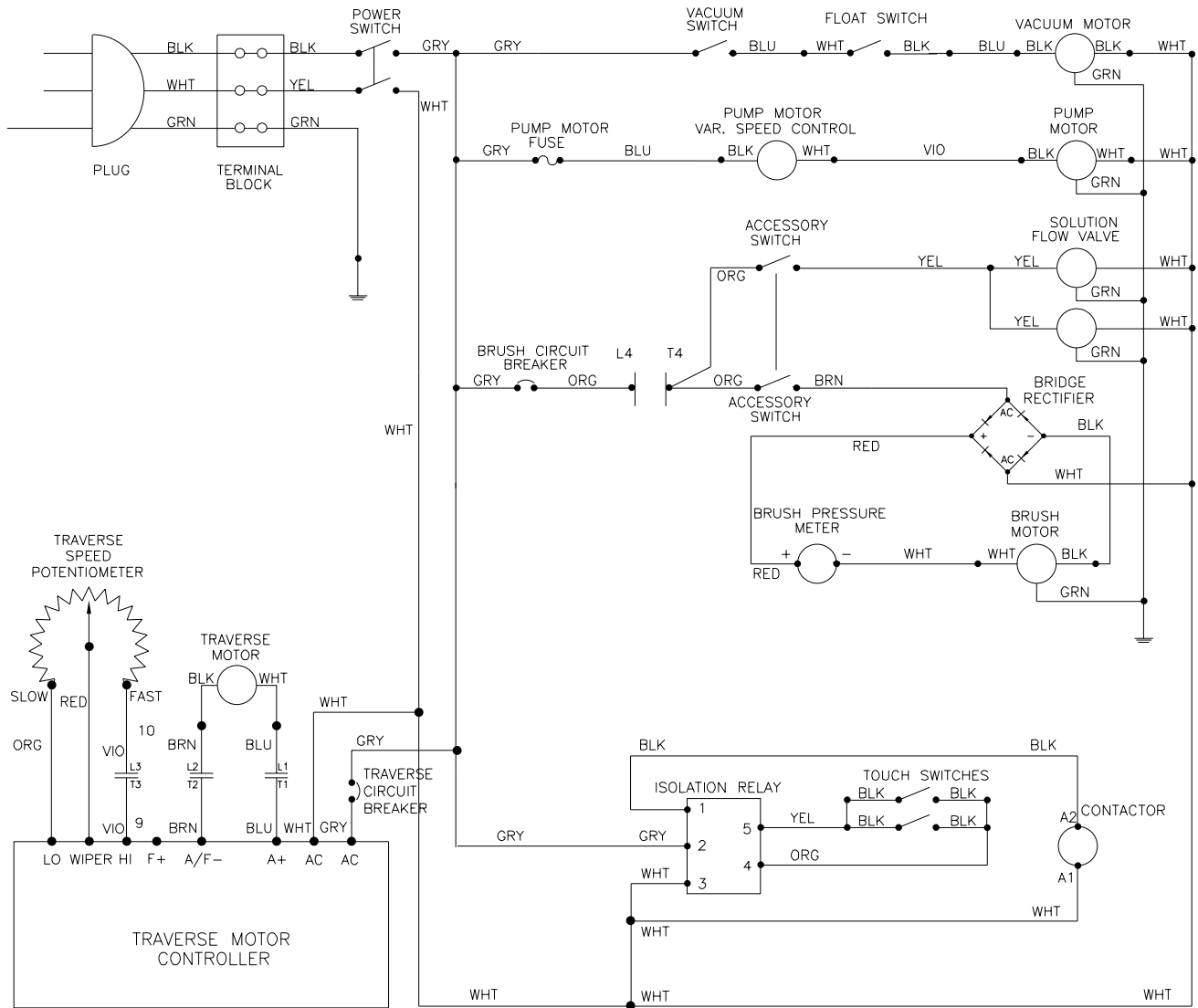


Ref	Part No.	Description	Qty
1	30108A	Adaptor, 2" to 1½"	1
2	59231A	RM-4P Tool Assembly	1
3	59230A	RM-8P Tool Assembly	1
4	59229A	RM-12M Tool Assembly	1
5	59232A	Hide-A- Hose 10'	1
6	59228A	RM-4M Tool Assembly	1
7	398426	Defoamer	*1 case
8	398425	Extractor, Concentrate	*1 case
9	398427	Traffic Lane/Spot Cleaner	*1 case
10	55183A	Hide-A-Hose 20'	1
11	52953A	General Purpose Spot Cleaner	1 case

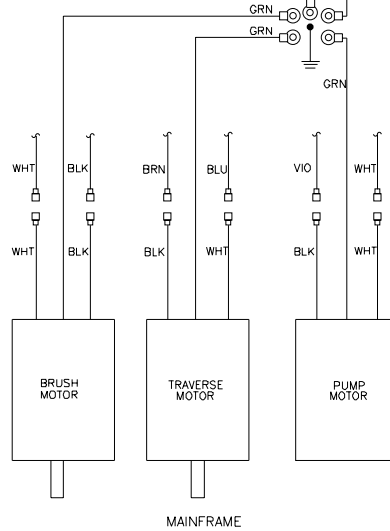
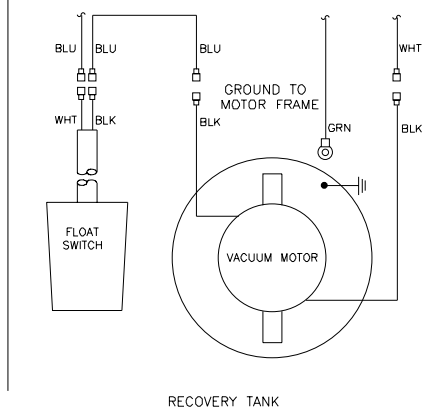
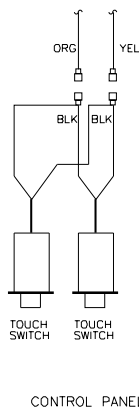
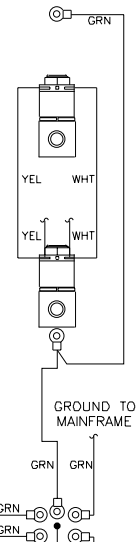
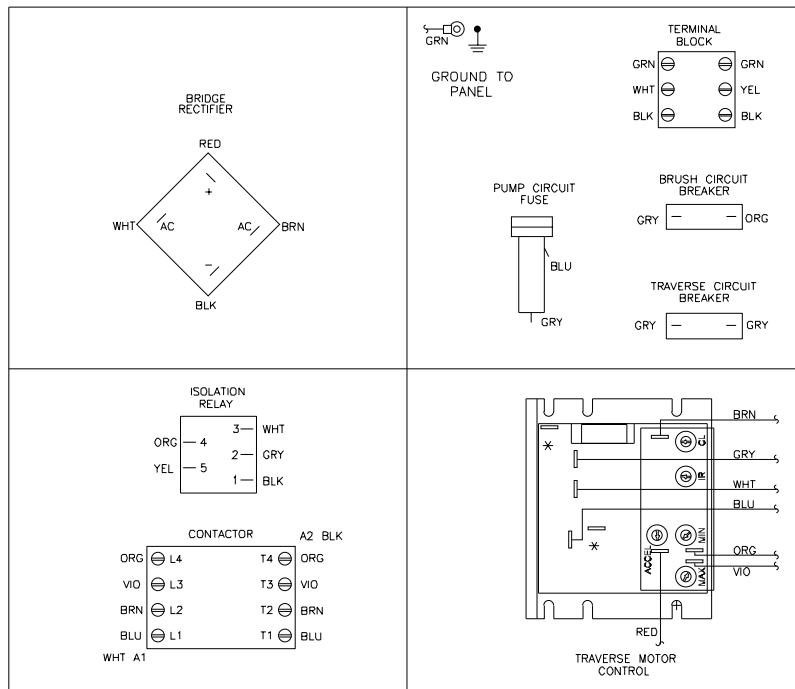
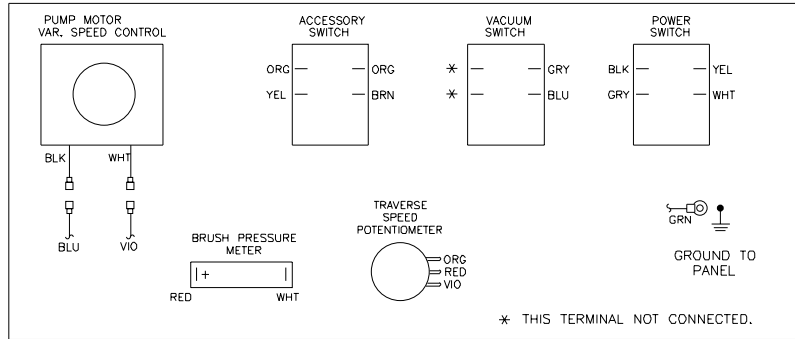
* 4, 1 gallon bottles

**Required to use any accessory

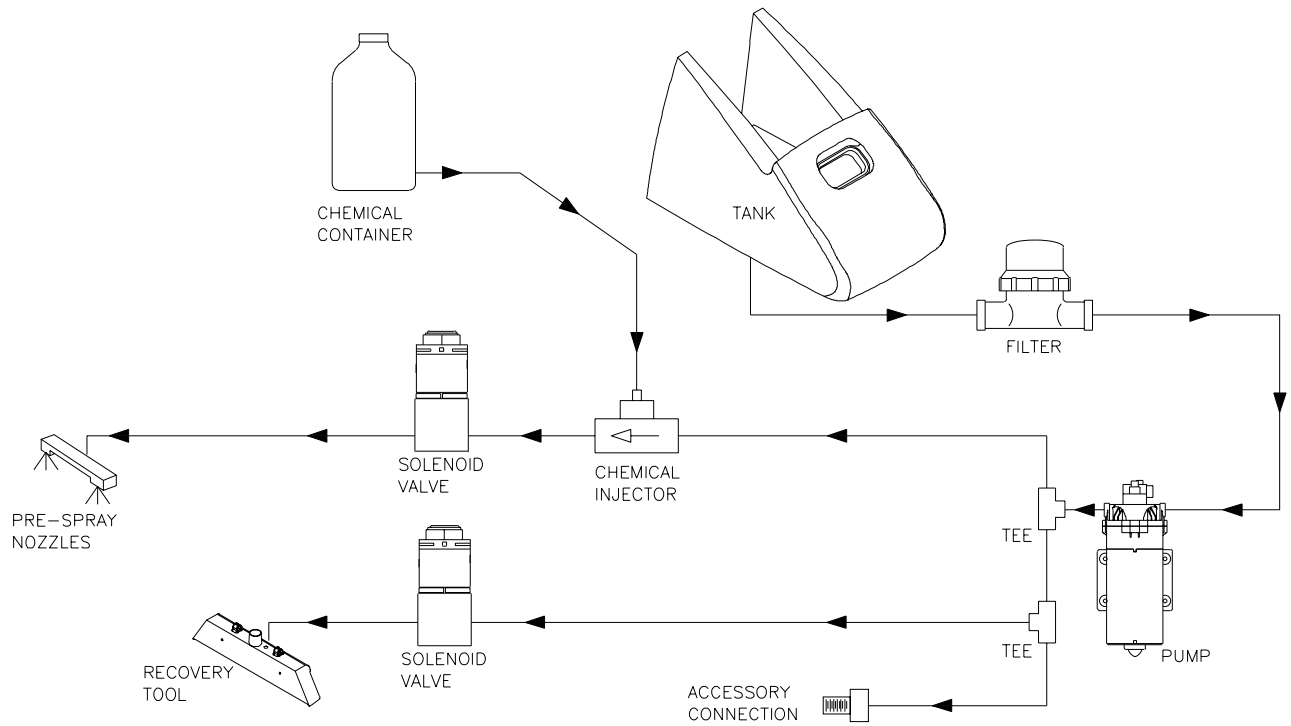
Clarke® Image 26E Electrical Schematic 12/00



Clarke® Image 26E Wiring Diagram 12/00



Clarke® Image 26E
Flow Diagram 12/00



CLARKE PRODUCT SUPPORT BRANCHES

U. S. A. Locations

PRODUCTION FACILITIES

Clarke®, Springdale, Arkansas
2100 Highway 265
Springdale, Arkansas 72764
(479) 750-1000
Customer Service - 1-800-253-0367
Technical Service - 1-800-356-7274

American Lincoln®, Bowling Green, Ohio 43402
1100 Haskins Road

SERVICE FACILITIES

Clarke®, Elk Grove, Illinois 60007
2280 Elmhurst Road
(847) 956-7900

Clarke®, Denver, Colorado 80204
1955 West 13th Ave.
(303) 623-4367

Clarke®, Houston, Texas 77040
7215 North Gessner Road
713-937-7717

SERVICE AND SALES FACILITY

American Lincoln® / Clarke, Madison Heights,
Michigan 48071-0158
29815 John R.
(810) 544-6300

American Lincoln® / Clarke, Marietta, Georgia 30066
1455 Canton Road
(770) 973-5225

SALES AND DISTRIBUTION CENTER

Clarke®, Secaucus, NJ 07094
74 Henry Street
(201) 864-5503

Clarke®
Clarke American Sanders
A.L. Cook
Customer Service Headquarters and Factory
2100 Highway 265
Springdale, Arkansas 72764
(479) 750-1000

Technical Service
1-800-356-7274

European Locations

PRODUCTION FACILITIES

ALTO Danmark A/S, Aalborg
Blytaekervej 2
DK-9000 Aalborg
+45 72 18 21 00

ALTO Danmark A/S, Hadsund
Industrikvarteret
DK-9560 Hadsund
+45 72 18 21 00

SALES SUBSIDIARIES

Clarke® Canada Ltd., Rexdale Ontario
24 Constellation Ct.
(416) 675-5830

ALTO Overseas Inc., Sydney (Australia)
1B/8 Resolution Drive
Caringbah NSW 2229
+61 2 9524 6122

ALTO Cleaning Systems Asia Pte Ltd., Singapore
No. 17 Link Road
Singapore 619034
+65 268 1006

ALTO Deutschland GmbH, Bellenberg (Germany)
Guido-Oberdorfer-Straße 2-8
89287 Bellenberg
+49 0180 5 37 37 37

ALTO Cleaning Systems (UK) Ltd., Penrith
Gilwilly Industrial Estate
Penrith
Cumbria CA11 9BN
+44 1768 868 995

ALTO France S.A. Strasbourg
B.P. 44, 4 Place d'Ostwald
F-67036 Strasbourg
Cedex 2
+33 3 8828 8400

ALTO Nederland B.V.
Postbus 65
3370 AB Hardinxveld-Giessendam
The Netherlands
+31 184 677 200

ALTO Sverige AB, Molndal (Sweden)
Aminogatan 18
Box 4029
S-431 04 Molndal
+46 31 706 73 00

ALTO Norge A/S, Oslo (Norway)
Bjornerudveien 24
N-1266
+47 2275 1770

CLARKE PRODUCT SUPPORT BRANCHES

U. S. A. Locations

PRODUCTION FACILITIES

Clarke®, Springdale, Arkansas
2100 Highway 265
Springdale, Arkansas 72764
(479) 750-1000
Customer Service - 1-800-253-0367
Technical Service - 1-800-356-7274

American Lincoln®, Bowling Green, Ohio 43402
1100 Haskins Road

SERVICE FACILITIES

Clarke®, Elk Grove, Illinois 60007
2280 Elmhurst Road
(847) 956-7900

Clarke®, Denver, Colorado 80204
1955 West 13th Ave.
(303) 623-4367

Clarke®, Houston, Texas 77040
7215 North Gessner Road
713-937-7717

SERVICE AND SALES FACILITY

American Lincoln® / Clarke, Madison Heights,
Michigan 48071-0158
29815 John R.
(810) 544-6300

American Lincoln® / Clarke, Marietta, Georgia 30066
1455 Canton Road
(770) 973-5225

Clarke®

Clarke American Sanders

A.L. Cook

Customer Service Headquarters and Factory
2100 Highway 265
Springdale, Arkansas 72764
(479) 750-1000

Technical Service
1-800-356-7274

European Locations

PRODUCTION FACILITIES

ALTO Danmark A/S, Aalborg
Blytaekervej 2
DK-9000 Aalborg
+45 72 18 21 00

ALTO Danmark A/S, Hadsund
Industrikvarteret
DK-9560 Hadsund
+45 72 18 21 00

SALES SUBSIDIARIES

ALTO US - Canada, Ontario (Canada)
4080 B Sladeview Crescent Unit 1
Mississauga, Ontario L5L 5Y5
(905) 569 0266

ALTO Overseas Inc., Sydney (Australia)
1B/8 Resolution Drive
Caringbah NSW 2229
+61 2 9524 6122

ALTO Cleaning Systems Asia Pte Ltd., Singapore
No. 17 Link Road
Singapore 619034
+65 268 1006

ALTO Deutschland GmbH, Bellenberg (Germany)
Guido-Oberdorfer-Straße 2-8
89287 Bellenberg
+49 0180 5 37 37 37

ALTO Cleaning Systems (UK) Ltd., Penrith
Gilwilly Industrial Estate
Penrith
Cumbria CA11 9BN
+44 1768 868 995

ALTO France S.A. Strasbourg
B.P. 44, 4 Place d'Ostwald
F-67036 Strasbourg
Cedex 2
+33 3 8828 8400

ALTO Nederland B.V.
Postbus 65
3370 AB Hardinxveld-Giessendam
The Netherlands
+31 184 677 200

ALTO Sverige AB, Molndal (Sweden)
Aminogatan 18
Box 4029
S-431 04 Molndal
+46 31 706 73 00

ALTO Norge A/S, Oslo (Norway)
Bjornerudveien 24
N-1266
+47 2275 1770