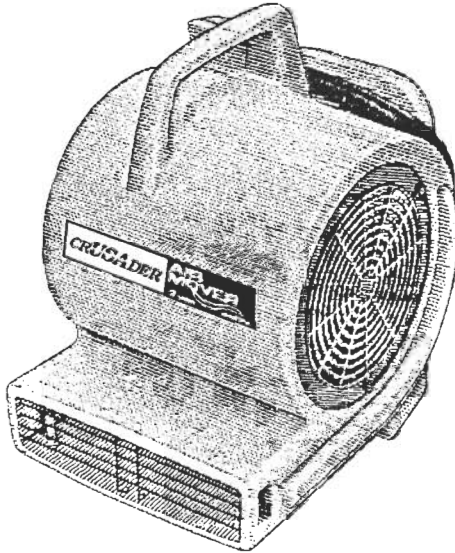


# CRUSAIDER

MADE WITH PRIDE IN AMERICA

**SAVE THESE  
INSTRUCTIONS**



**READ AND FOLLOW  
ALL INSTRUCTIONS,  
WARNINGS AND  
CAUTIONS  
BEFORE USING  
THIS AIRMOVER**

**SAFETY  
AND  
OPERATION  
MANUAL  
W/PARTS  
LISTS**

**3500  
AIRMOVER/  
DRYER**

This unit is intended for commercial use

This AirMover will afford you many years of trouble-free operating satisfaction, provided it is given proper care. All parts have passed rigid quality control standards prior to their being assembled to produce the finished product. Prior to packaging, your AirMover was again inspected for assurance of flawless assembly.

This AirMover is protectively packed to prevent damage in shipment. We recommend that upon delivery, unpack the unit and inspect it for any possible damage. Only a visual examination will reveal damage that may have occurred.

If damage is discovered, immediately notify the transportation company that delivered your AirMover. As a shipper, we are unable to report any claim for damage. You must originate any claim within 5 days of delivery.

This manual is for your protection and information. **PLEASE READ CAREFULLY** since failure to follow precautions could result in discomfort or injury.

**READ ALL  
INSTRUCTIONS  
BEFORE  
OPERATING**

# IMPORTANT SAFETY INSTRUCTIONS

## WARNING:

**To Reduce the Risk of Fire, Electric Shock or Injury:  
Read all instructions before using this Airmover.**

*When using this Airmover, basic precautions should always be followed, including the following:*

1. **DO NOT** leave the Airmover when plugged in. Unplug from the outlet when not in use and before servicing.
2. To avoid electric shock, **DO NOT** use outdoors or on wet surfaces.
3. This is **NOT** a toy. Close attention is necessary when used around or near children.
4. Use only as described in this safety manual.
5. **DO NOT** use this Airmover with damaged cord or plug. If the Airmover is not working as it should, because it has been dropped, damaged, left outdoors or dropped into water, contact an authorized service center or factory.
6. **DO NOT** pull or carry by the cord, use cord as a handle, close a door on cord or pull cord around sharp edges and corners. Keep cord away from heated surfaces.
7. **DO NOT** unplug the Airmover by pulling on the cord. To unplug, grasp the plug, not the cord.
8. **DO NOT** handle the plug of the Airmover with wet hands.
9. Store Airmover indoors in a dry area.
10. **DO NOT** put any objects into openings. **DO NOT** use with any opening blocked; keep free of anything that may reduce air flow.
11. Keep hair, loose clothing, fingers, and all parts of body away from openings and moving parts.
12. Turn **OFF** all the controls before unplugging.
13. **DO NOT** use where anesthetics or oxygen is used.
14. **DO NOT** use an extension cord unless absolutely necessary. If an extension cord is used, then wire size must be #14 or larger and should not exceed 50 feet in length. The extension cord must be a three-wire type to insure grounding protection.
15. Replace damaged or worn parts immediately with genuine original equipment parts to maintain safety and to protect your limited warranty.

This Airmover must be connected to a properly grounded outlet only. (See *grounded instructions*.)

## GROUNDING INSTRUCTIONS

Electrical equipment must be grounded. If it should malfunction or breakdown, grounding provides a path of least resistance for electrical current to reduce the risk of electrical shock. The blower is equipped with a cord having an equipment-grounding conductor and grounding plug. The plug must be inserted into an appropriate outlet

that is properly installed and grounded in accordance with all local codes and ordinances.

If repair or replacement of the cord or plug is necessary, **DO NOT** connect the grounded wire to either flat blade terminal. The wire with insulation having an outer surface that is green with or without yellow strips is the grounding wire.

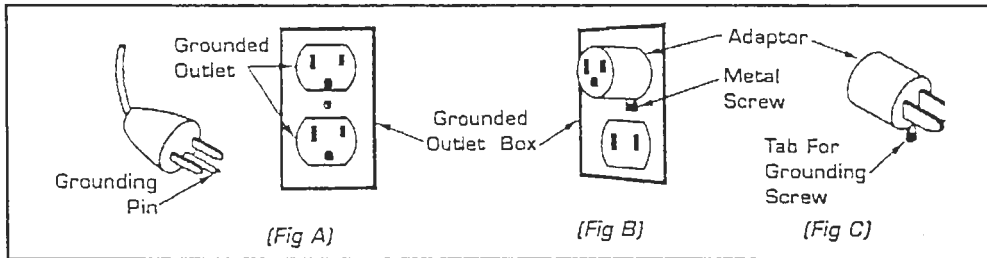
## WARNING:

Improper connection of the equipment-grounding conductor can result in a risk of electric shock. Check with a qualified electrician or service person if you are in doubt as to whether the outlet is properly grounded.

**DO NOT** modify the plug provided with the equipment. If it will not fit the outlet, have a proper outlet installed by a qualified electrician.

**Note:** In Canada, the use of a temporary adapter is not permitted by the Canadian Electrical Code.

# GROUNDING METHODS



This electrical equipment is for use on a nominal 120 volt circuit, and has a grounded plug that looks like the plug illustrated in (Fig A). A temporary adapter that looks like the adapter illustrated in (Fig B & C) may be used to connect this plug to a 2-pole receptacle as shown in (Fig B) if a properly grounded outlet is not available.

The temporary adapter should be used only until a properly grounded outlet (Fig A) can be installed by a qualified electrician. The green color rigid ear, lug or the like extending from the adapter must be connected to a permanent ground such as a properly grounded outlet box cover. Whenever the adapter is used, it must be held in place by a metal screw (Fig C).

## DANGER:

**Impropr use of the grounding plug can result in a risk of electric shock.**

Use this method when the carpeting is glued and you cannot place Airmover underneath the carpet.

1) Place the Airmover in a corner pointing toward the center of the room.

2) Turn the switch knob to select the speed you want.

3) The air blows over the surface to speed evaporation. Move the Airmover periodically as the surface dries.

If stretch (non-glued) carpet becomes completely saturated due to flooding or pipes breaking, use this method to dry the carpet's backing. Only a professional should perform this procedure.

1) Remove all the furniture from the room.

2) Lift an edge of the carpet and slide the exhaust side of Airmover under the carpet.

3) Plug Airmover into a grounded outlet and turn it ON. This forces the air under and through the carpet to speed drying time. The carpet will billow in the center.

4) Remove Airmover when the carpet is dry and stretch carpet back into place.

# DRYING INSTRUCTIONS

# FLOODED AND STRETCHED CARPET

CRUSADER warrants the original purchaser/user that this product is free from defects in workmanship and materials under normal use and service for a period of one year from date of purchase. In addition, CRUSADER will, at its option, honor labor warranty claims for 90 days from date of sale, provided such claims are submitted through and approved by factory authorized repair stations.

CRUSADER will, at its option, repair or replace without charge, except for transportation costs, parts that fall under normal use and service when operated and maintained in accordance with the applicable operation and instruction manuals.

This warranty does not apply to normal wear, or to items whose life is dependent on their use and care, such as the cord, switch, rubber parts, electrical motor components, or the fan.

All warranted items become the sole property of CRUSADER or its original manufacturer, whichever the case may be.

This limited warranty is in lieu of all other warranties, expressed or implied, and release CRUSADER from all other obligations and liabilities. It is applicable only in the U.S.A. and Canada, and is extended only to the original user/purchaser of this product. CRUSADER is not responsible for costs or repairs performed by persons other than those specifically authorized by CRUSADER. This Warranty does not apply to damage from transportation, alterations by unauthorized persons, misuse or abuse of the equipment, use of non-compatible chemicals, or damage to property, or loss of income due to malfunctions of this product.

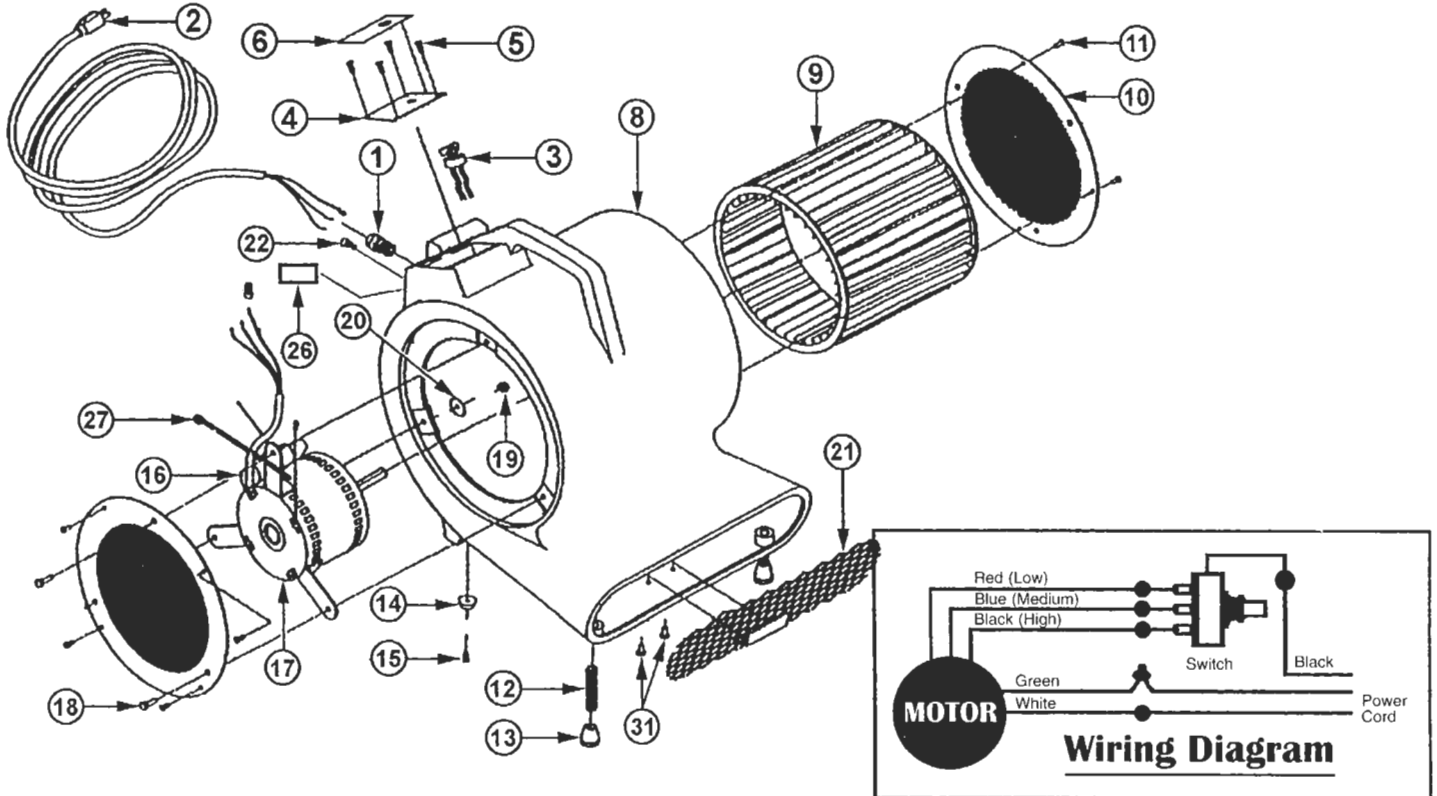
The polyethylene shell is warranted for 1 year under normal use and conditions.

# LIMITED WARRANTY

# AIRMOVER REPLACEMENT PARTS LIST

**WARNING:**

**DO NOT Place in standing water.**



Ref. No.	Part Description	Qty.	Part No.
1	Strain Relief and Nut	1	2428
2	25 Ft. 18/3 Power Cord	1	2444
3	4 Position Switch w/Knob	1	2406
4	Switch Face Plate	1	2410
5	#6 x 1/2" Tapping Screw	4	1058
6	Switch Decal	1	2412
8	Airmover Housng	1	2400
9	Fan	1	2402
10	ABS Side Screen	2	2401A
11	#10 x 3/4" Metal Screw	6	1025
12	1/2" x 3" Threaded Leg	2	2407
13	1/2" Rubber Leg Cap	2	2408
14	Rear Feet Stand Off	2	2409
15	#10 x 3/4" Metal Screw	2	1025
16	7.5 MFD/370 Volt Capacitor	1	2404

Ref. No.	Part Description	Qty.	Part No.
17	1/2 HP Motor	1	2405D
18	1/4" - 20 x 1" Hex Cap Bolt	4	1018
19	1/4" - 20 Nylok Nut	4	1019
20	1/4" Flat Washer	4	1054
21	Front Wire Screen	1	2411A
22	10-24 x 5/8" SS Screw	1	1017
26	Nameplate	1	2413
27	7-1/2" Cable Tie	1	1057
31	Aluminum Pop Rivet	4	1001A
N/S	10-24 SS Nylok Nut	1	1009
N/S	1/2" Cable Clamp	1	1056
N/S	Baffle	1	2418
N/S	3/16" Washer (Baffle)	2	1002

## CRUSADER MFG., INC.

2955 Lone Oak Circle, #8  
Eagan, MN 55121

(651) 456-9100 • Fax: (651) 456-9191  
(800) 597-3336 • Fax: (800) 998-7311

E-mail: sales@crusadermfg.com • Website: www.crusadermfg.com

**CRUSADER**  
MADE WITH PRIDE IN AMERICA