



IPC Integrated Professional Cleaning

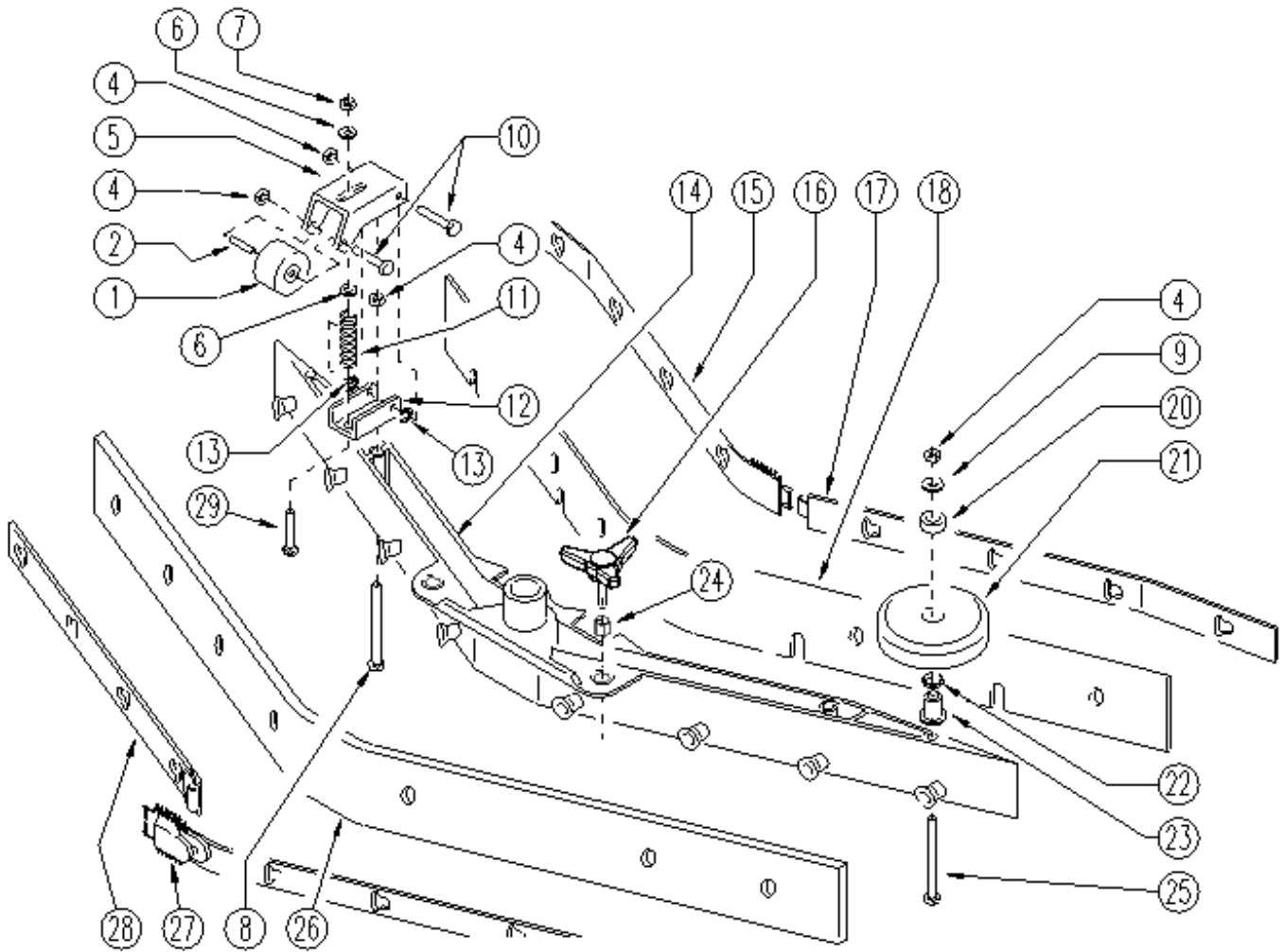
IPC Gansow

Spare Parts List

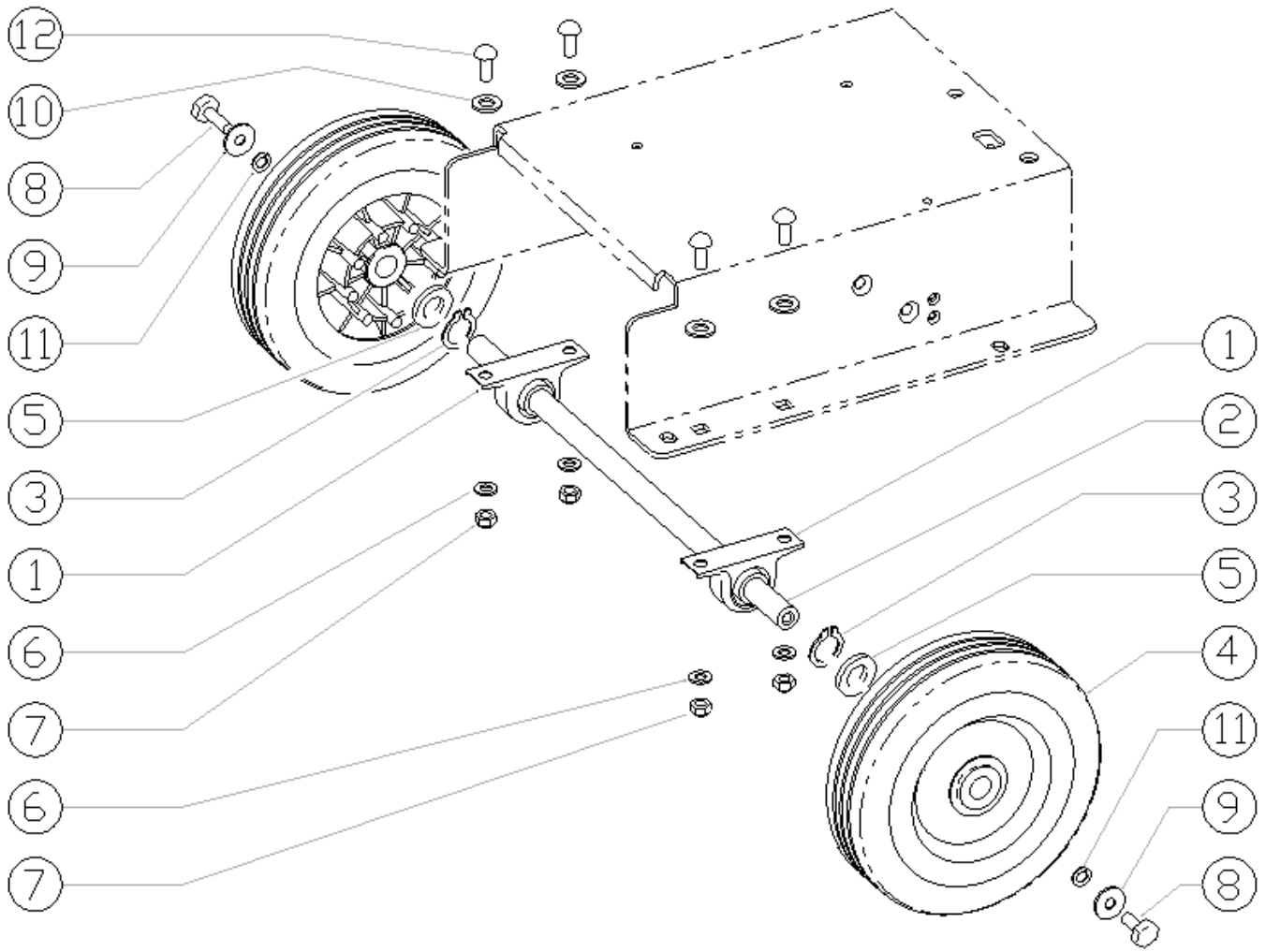
IPC EAGLE

Ref: LPTB01258

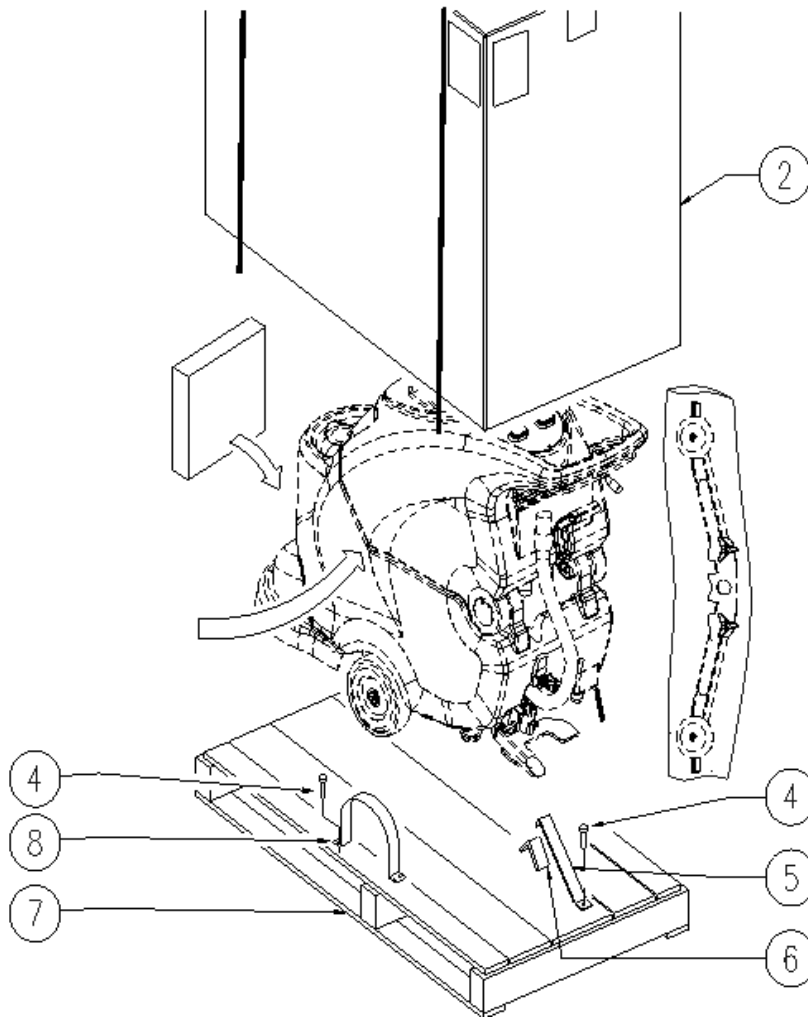
Model: CLEAN TIME 40 B 50 + CHARGER GR/VER USA



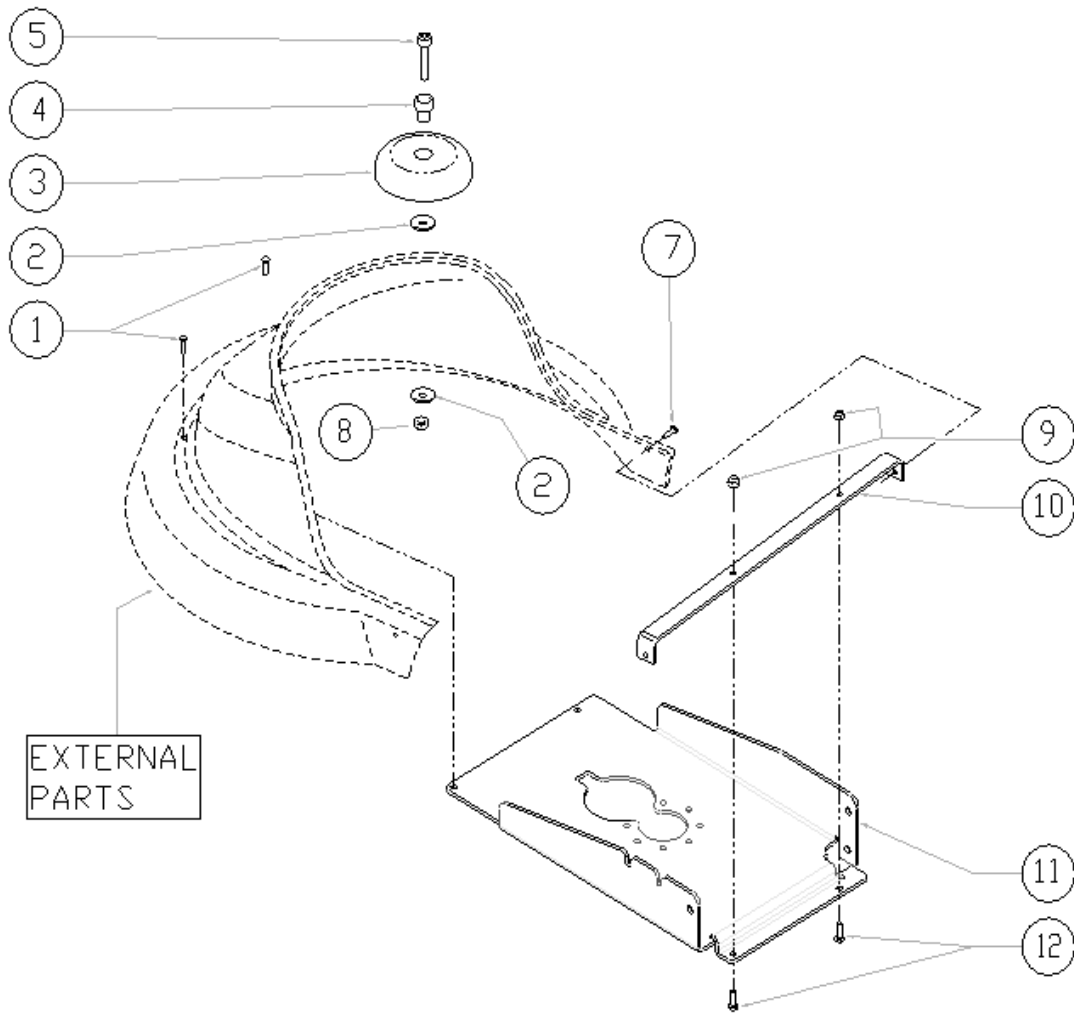
Ref. K	Part N.	Customer Part N.	Description	Qty	Validity:		Price
					From	To	
0001	RTRT49413		WHEEL D. 60-D.15 X36 NYL.	2,00			--
0002	LAFN04041		SPACER D6/15	2,00			--
0004	VTDD01694		NUT M 6 INX	8,00			--
0005	LAFN05559		SUPPORT RUOTINO	2,00			--
0006	VTRS13947		WASHER D. 8 INX UNI 6592	4,00			--
0007	VTDD01695		NUT M 8 INX	2,00			--
0008	VTVT15142		SCREW TE M 6x45 INOX	2,00			--
0009	VTRS00245		WASHER D.6 UNI 6592 INOX	2,00			--
0010	VTVT15515		SCREW TE M 6X 50 INOX A2	4,00			--
0011	MLML49422		SPRING D.15X 45 X1	2,00			--
0012	LAFN51069		BRACKET SUPP.RUOTINO SQUEEGEE	2,00			--
0013	VTAE45707	#8479.90.9498	CIRCLIP D. 6 UNI 7434 INOX	4,00			--
0014	MFVR00141		BODY SQUEEGEE PRESSOFUSO "S"	1,00			--
0015	LAFN51045		LAMINATION BLOCCA LAMA ANTER.SX S	1,00			--
0016	MPVR05265		KNOB 8X25	2,00			--
0017	LAFN51044		LAMINATION BLOCCA LAMA ANTER.DX S	1,00			--
0018	MPVR45194		RUBBER BLADE LAV. 800 ANT.	1,00			--
0020	MPVR49229		BUSHING SHK	2,00			--
0021	MPVR05290		ROLLER PARACOLPI	2,00			--
0022	GUGO00164		GASKET	2,00			--
0023	LAFN04100		SPACER PER RUOTINO PARACOLPI	2,00			--
0024	VTVR00022		INSERT FILETTATO ESAGONALE M8	2,00			--
0025	VTVT17342		SCREW TE M 6X 60 UNI 5739 INX	2,00			--
0026	MPVR45195		RUBBER BLADE LAV. 800 PST.POL.	1,00			--
0027	LAFN49284		BLADE HOLDER POSTERIORE DX (S)	1,00			--
0028	LAFN49285		BLADE HOLDER POSTERIORE SX (S)	1,00			--
0029	VTVT01304		SCREW M 8X 40 TTQST UNI 5731	2,00			--



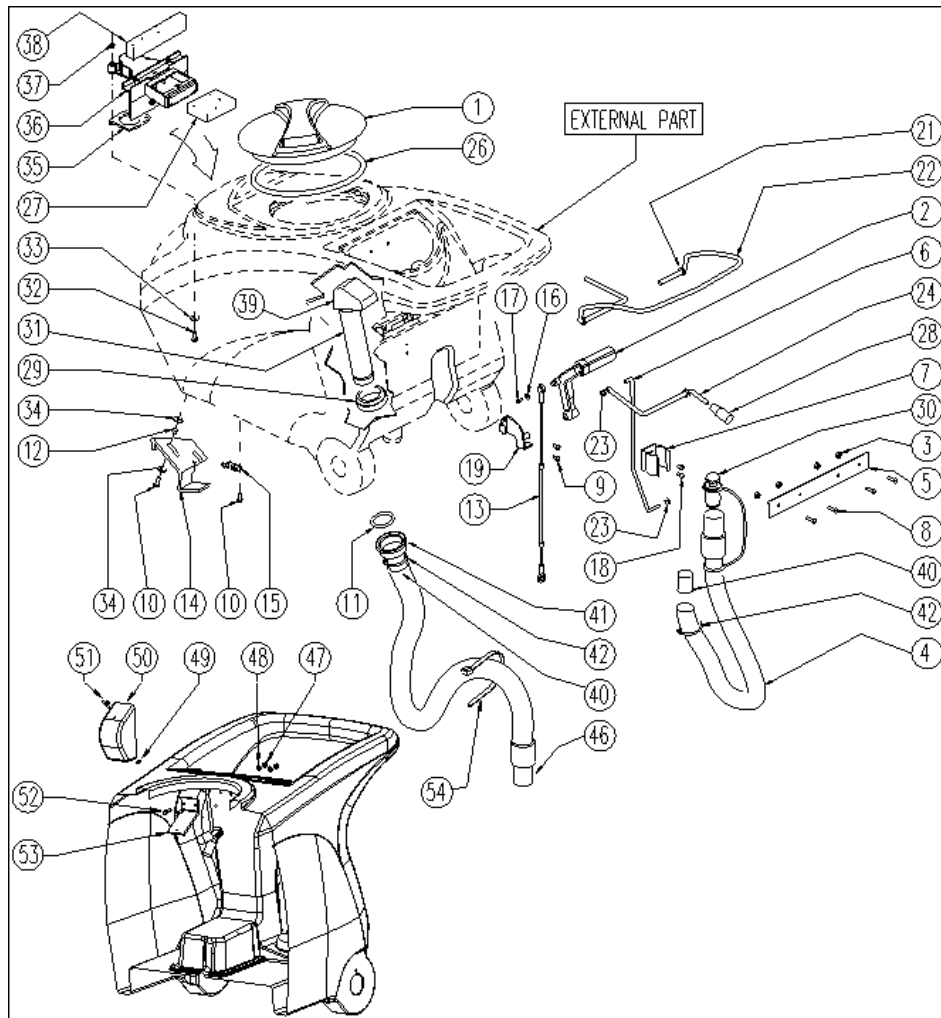
Ref. K	Part N.	Customer Part N.	Description	Qty	Validity:		Price
					From	To	
0001	CUVR49833		BALL BEARING SBPP 203	2,00			--
0002	ALTR00088		AXLE -	1,00	05/2009		--
0002	LAFN35746		WHEELS AXLE LAV. E/B 450	1,00		05/2009	--
0003	VTAE00065		RING D17 UNI7435 INOX	2,00			--
0004	RTRT00366		WHEEL D200 X CLT 40	2,00			--
0005	VTRS21763		WASHER D.17	2,00			--
0006	VTRS13947		WASHER D. 8 INX UNI 6592	4,00			--
0007	VTDD01695		NUT M 8 INX	4,00			--
0008	VTVT15916		SCREW TE M 8X 16 UNI 5739 A2	2,00			--
0009	VTRS13946		WASHER D. 8 X24 INX UNI 6593	2,00			--
0010	VTRS15978		WASHER D.12X24 UNI 6592 INX	4,00			--
0011	VTRS15146		WASHER D. 8 INX GRW UNI 1751	2,00			--
0012	VTVT00842		SCREW	4,00			--



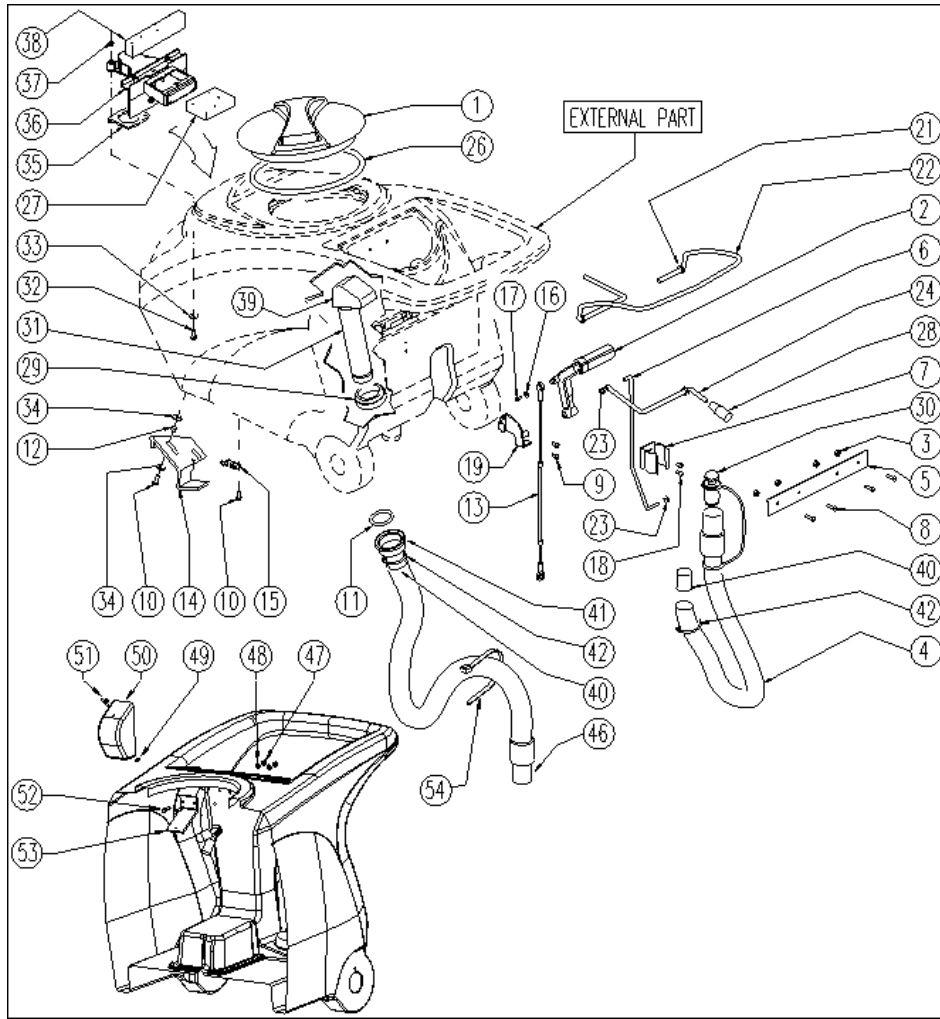
Ref. K	Part N.	Customer Part N.	Description	Qty	Validity:		Price
					From	To	
0002	MICT00147		CARTON IMBALLO RULLI	1,00			--
0004	VTVT00043		SCREW AUTOF.LEGNO 4,5X25 TS BR	9,00			--
0005	MIVR00137		CLAMP RUOTA POSTERIORE X IMBAL.	1,00			--
0006	GUGO00009		MOUSSE	0,05			--
0007	MIBA00077		PALLET RULLI	1,00			--
0008	MIVR00135		CLAMP RUOTA POSTERIORE X IMBAL.	2,00			--



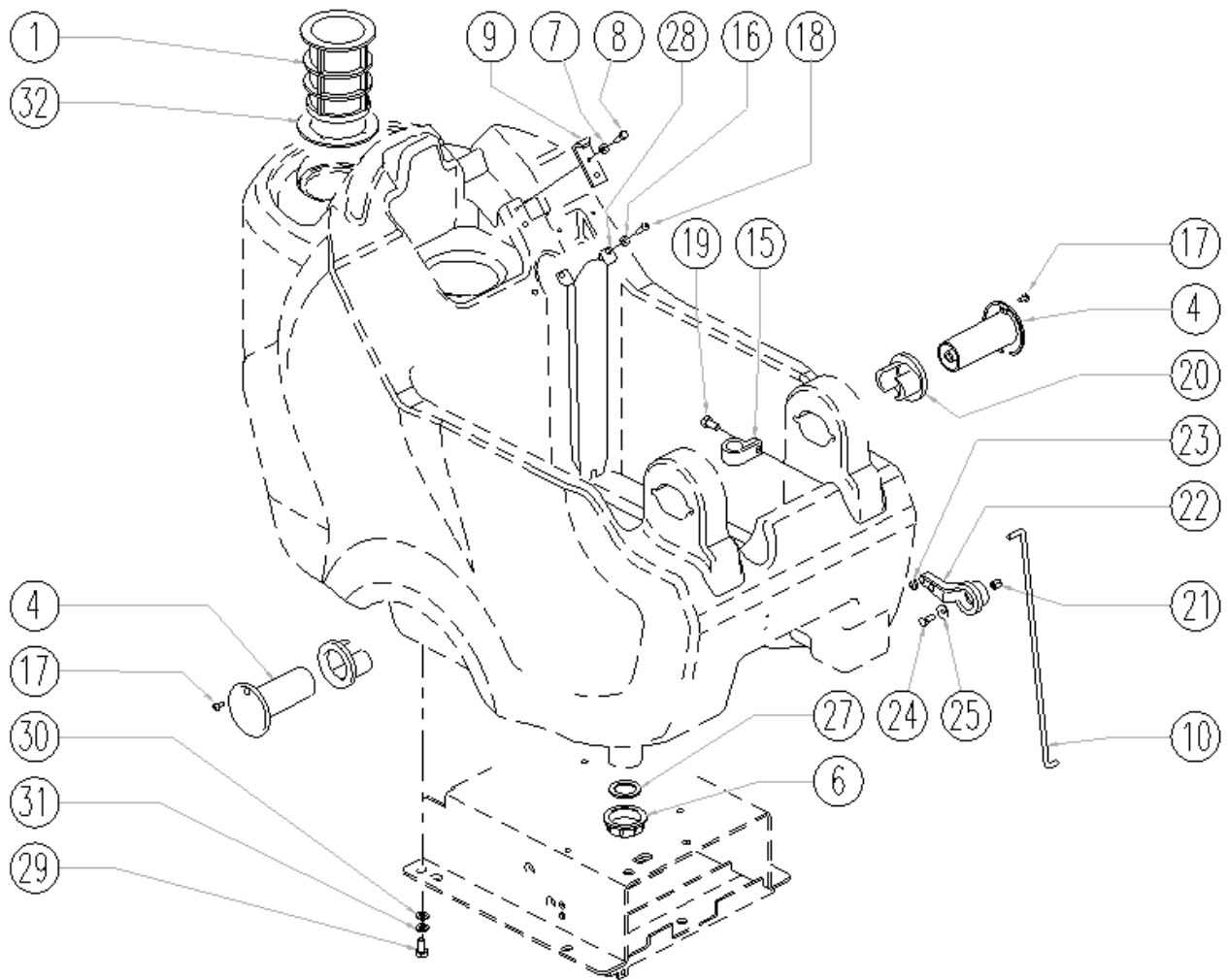
Ref. K	Part N.	Customer Part N.	Description	Qty	Validity:		Price
					From	To	
0001	VTVT00659		SCREW TC+ M. 4-15	2,00		02/2010	--
0001	VTVT01366		SCREW M4X16	2,00	02/2010		--
0002	VTRS13946		WASHER D. 8 X24 INX UNI 6593	2,00			--
0003	MPVR05290		ROLLER PARACOLPI	1,00			--
0004	LAFN03915		BUSHING NUOVO RUOTINO STRONG	1,00			--
0005	VTVT00822		SCREW TCEI M 8-30	1,00	06/2009		--
0005	VTVT17349		SCREW TCEI M 8X30	1,00		06/2009	--
0007	VTVT01366		SCREW M4X16	2,00			--
0008	VTDD01695		NUT M 8 INX	1,00			--
0009	VTDD15518		NUT M 6 INX	2,00			--
0010	LAFN05899		SUPPORT BRACKET CARTER 1 EXTREME	1,00			--
0011	LAFN07373		PLATE RIDUTTORE	1,00			--
0012	VTVT15143		SCREW TE 6X16 UNI5739	2,00			--



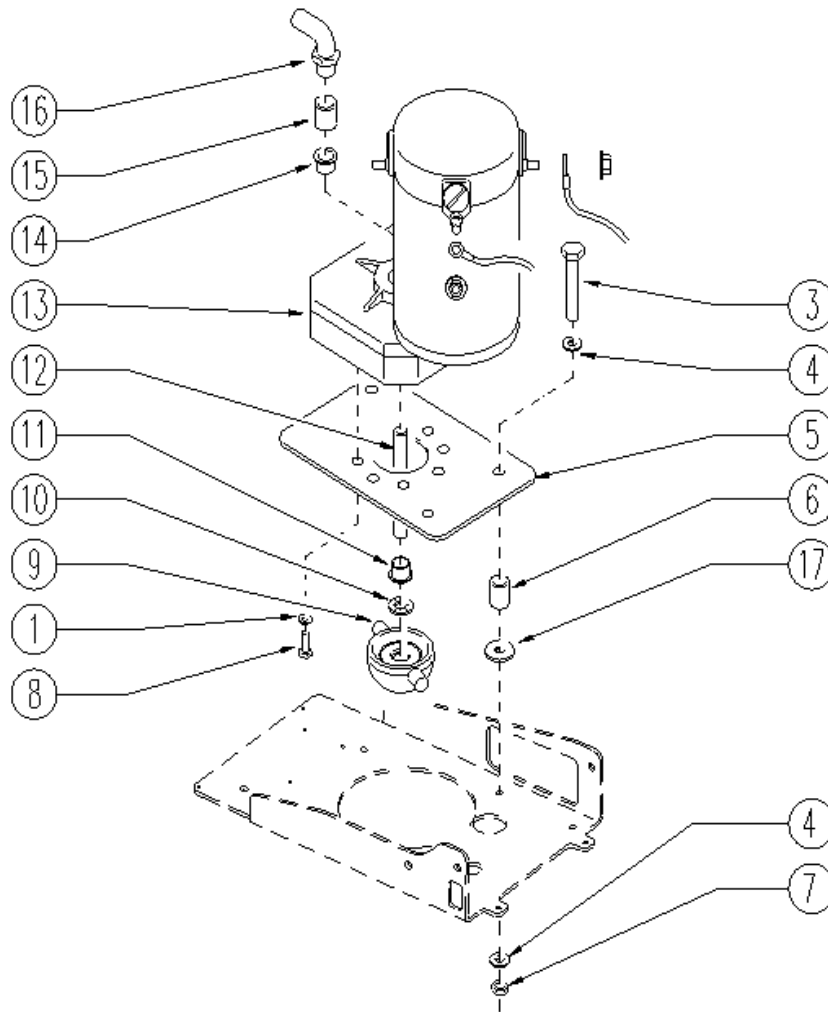
Ref.	K	Part N.	Customer Part N.	Description	Qty	Validity: From	To	Price
0001		MPVR04051		TANK CAP	1,00			--
0002		MPVR49942		LEVER SHK PP	1,00			--
0003		VTDD01694		NUT M 6 INX	4,00	04/2009		--
0004		TBBP00405		TUBE SCARICO	1,00		06/2010	--
0004		TBBP00456		TUBE CT40/70	1,00	06/2010	02/2011	--
0004		TBFX00348		TUBE CT40-70-90	1,00	02/2011		--
0005		LAFN05865		PLATE COPRILEVA CONSENSO	1,00			--
0006		LAFN05863	#8479.90.9498	ROD RUBINETTO	1,00			--
0007		MPVR46988		CLIP LAV. SHK	1,00			--
0008		VTVT07725		SCREW TE 5X16 UNI5739 INX	4,00			--
0009		VTVT15906		SCREW TE 6X 12 A2 UNI 5739	2,00			--
0010		VTVT15143		SCREW TE 6X16 UNI5739	3,00			--
0011		GUGO00216		GASKET ACQUA SPORCA	1,00	05/2009		--
0011		GUGO00292		GASKET OR 6162	1,00		05/2009	--
0012		LAFN03626		SPACER	2,00			--
0013		CMCV00312		CABLE SOLLEVAMENTO SQUEEGEE	1,00		07/2007	--
0013		CMCV00428		CABLE SQUEEGEE	1,00	07/2007		--
0014		LAFN06490		HANDLE	1,00			--
0015		MLML00203		SPRING	1,00			--
0016		VTRS00251		WASHER 4-16 INOX A2	1,00			--
0017		VTVT00800		SCREW TC 4X12 ZN	1,00			--
0018		VTVT21096		SCREW TE M 4X 10 INX	2,00			--
0019		LAFN05870		BRACKET LEVA SOLLEVAM. SQUEEGEE	1,00			--
0021		VTRS13947		WASHER D. 8 INX UNI 6592	2,00			--
0022		LAFN05861		LEVER CONSENSO SPAZZOLE	1,00			--
0023		VTDD01694		NUT M 6 INX	2,00			--
0024		LAFN05908		ROD COMANDO RUBINETTO	1,00			--
0026		GUGO00263		GASKET CIRCOLARE TAPPO	1,00			--
0027		FTDP00133		FILTER	1,00			--
0028		MPVR04146		KNOB IN PVC MOD. 1001 FORO D.6	1,00			--
0029		MPVR04716		RING NUT 1"1/2	1,00			--
0030		MPVR05064		CAP COMPLETO	1,00		06/2010	--
0031		MPVR51086		TUBE INT.SERB.RECUP.	1,00			--
0032		VTVT00814		SCREW TE M.4-25	2,00			--
0033		VTRS00515		WASHER D. 4 INX	2,00			--
0034		VTRS00274		WASHER NYLON 66 D.8,4-17-2 UNI	4,00			--
0035		GUGO00417		GASKET SCATOLA ASPIRAZIONE	1,00			--
0036		FTDP00185		BOX ASPIRAZIONE	1,00		01/2009	--
0036		MPVR05482		BOX -	1,00	01/2009		--



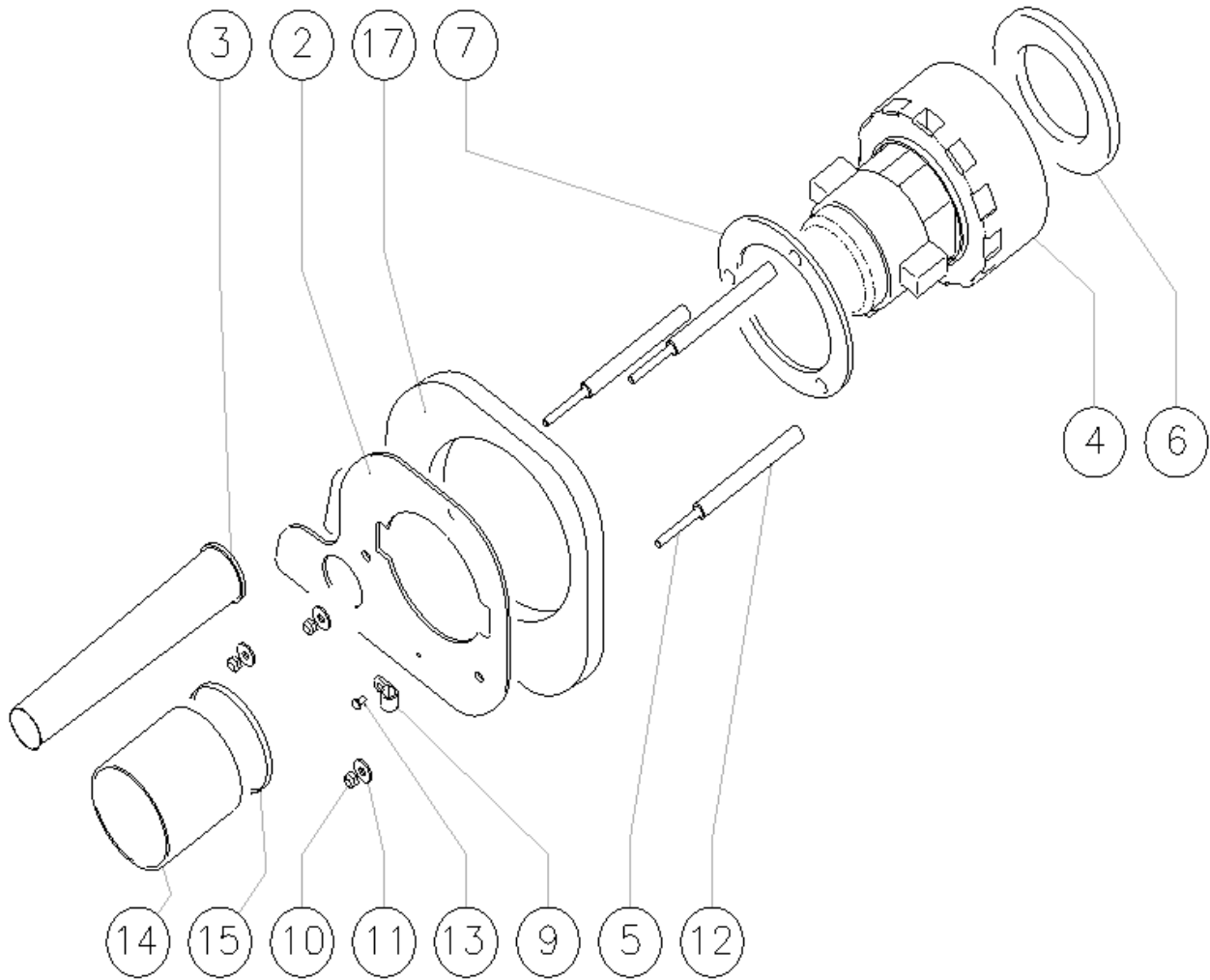
Ref. K	Part N.	Customer Part N.	Description	Qty	Validity:		Price
					From	To	
0037	VTDD15925		NUT M 4 INX	2,00			--
0038	GUGO00418		GASKET CONDOTTO ASPIRAZIONE	1,00			--
0039	PMVR01129		TUBE C/DEFLETTORE	1,00	05/2006		--
0040	GUGO00245		GASKET	2,00			--
0041	RCVR00504		CONNECTOR DRITTO FEMM.	1,00		02/2009	--
0042	FSVR43136		CLAMP D. 35-40 DF.	1,00		02/2009	--
0046	TBBP00407		TUBE L=990 d.i.350	1,00		02/2009	--
0046	TBBP00478		TUBE CRISTALLO 6X9	1,00	10/2010		--
0046	TBBP00454		TUBE TERGI D.40	1,00	02/2009	10/2010	--
0047	VTDD01693		NUT M 5 INX	2,00	04/2009		--
0048	VTRS00516		WASHER D. 5 INX	4,00	04/2008		--
0049	VTVR01038		WASHER -	1,00	04/2009		--
0050	MPVR05596		PROTECTION -	1,00	04/2009		--
0051	VTVT01150		SCREW 4x10	1,00	04/2009		--
0052	VTVT07725		SCREW TE 5X16 UNI5739 INX	2,00	04/2009		--
0053	LAFN07631		BRACKET -	1,00	04/2009		--
0054	FSVR00248		CLAMP -	1,00	10/2010		--



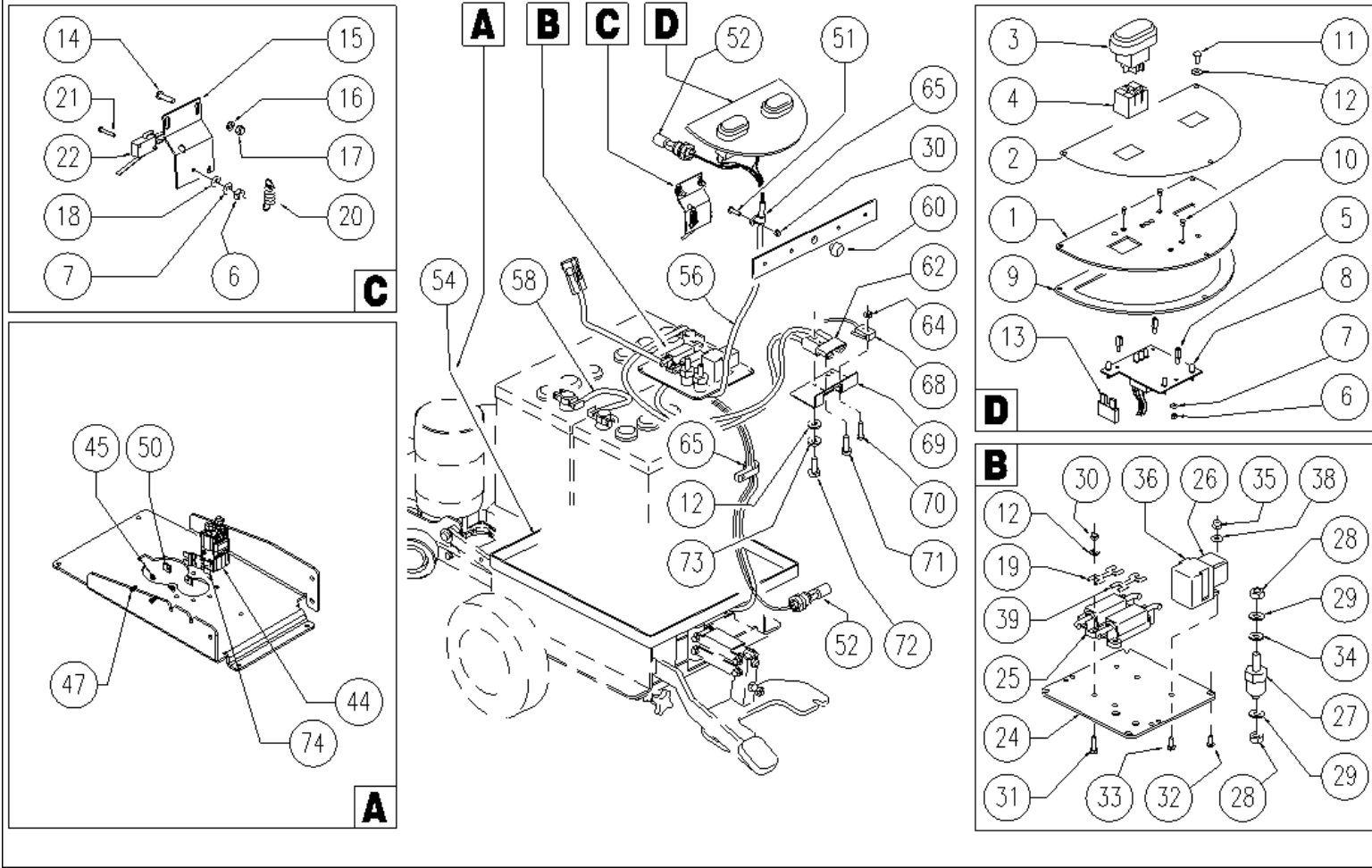
Ref. K	Part N.	Customer Part N.	Description	Qty	Validity:		Price
					From	To	
0001	FTAC48857		FILTER ASP. ACQUA SERB. LAVAP.	1,00			--
0004	MPVR48695		PIN SHK.BK	2,00			--
0006	KTRI03463		CAP SCARICO SERBATOIO SOLUZ.	1,00			--
0007	VTRS15144		WASHER D. 6 INX GRW UNI 1751	1,00			--
0008	VTVT01303		SCREW TE M6-10 INOX	1,00			--
0009	LAFN06489		PLATE	1,00			--
0010	LAFN05862		ROD RUBINETTO	1,00			--
0015	FSVR00099		CLAMP FERMATUBO	2,00			--
0016	VTRS00515		WASHER D. 4 INX	2,00			--
0017	VTVT48694		SCREW TCB TC 5 X12 UNI 9707 TZ	2,00			--
0018	VTVT37012		SCREW M 4X 10 TCB-TC INX	2,00			--
0019	VTVT15961		SCREW M 5X 16 TCB TC UNI 7687	1,00			--
0020	PMVR02028		RUBBER GRUPPO MONTAGGIO	2,00			--
0021	VTVR48693		INSERT M6 D.9	1,00			--
0022	MPVR49471		LEVER SHK	1,00			--
0023	VTDD01694		NUT M 6 INX	1,00			--
0024	VTVT15143		SCREW TE 6X16 UNI5739	1,00			--
0025	VTRS13945		WASHER D. 6X18 INX UNI 6593	1,00			--
0027	KTRI03463		CAP SCARICO SERBATOIO SOLUZ.	1,00			--
0028	MPVR51085		FLAP POSTER.TERGI 950 MAGG.	1,00			--
0029	VTVT15916		SCREW TE M 8X 16 UNI 5739 A2	4,00			--
0030	VTRS13947		WASHER D. 8 INX UNI 6592	4,00			--
0031	VTRS00269		WASHER D. 8 DIN 6798-A INX A2	4,00			--
0032	GUGO00267		GASKET FILTRO	1,00			--



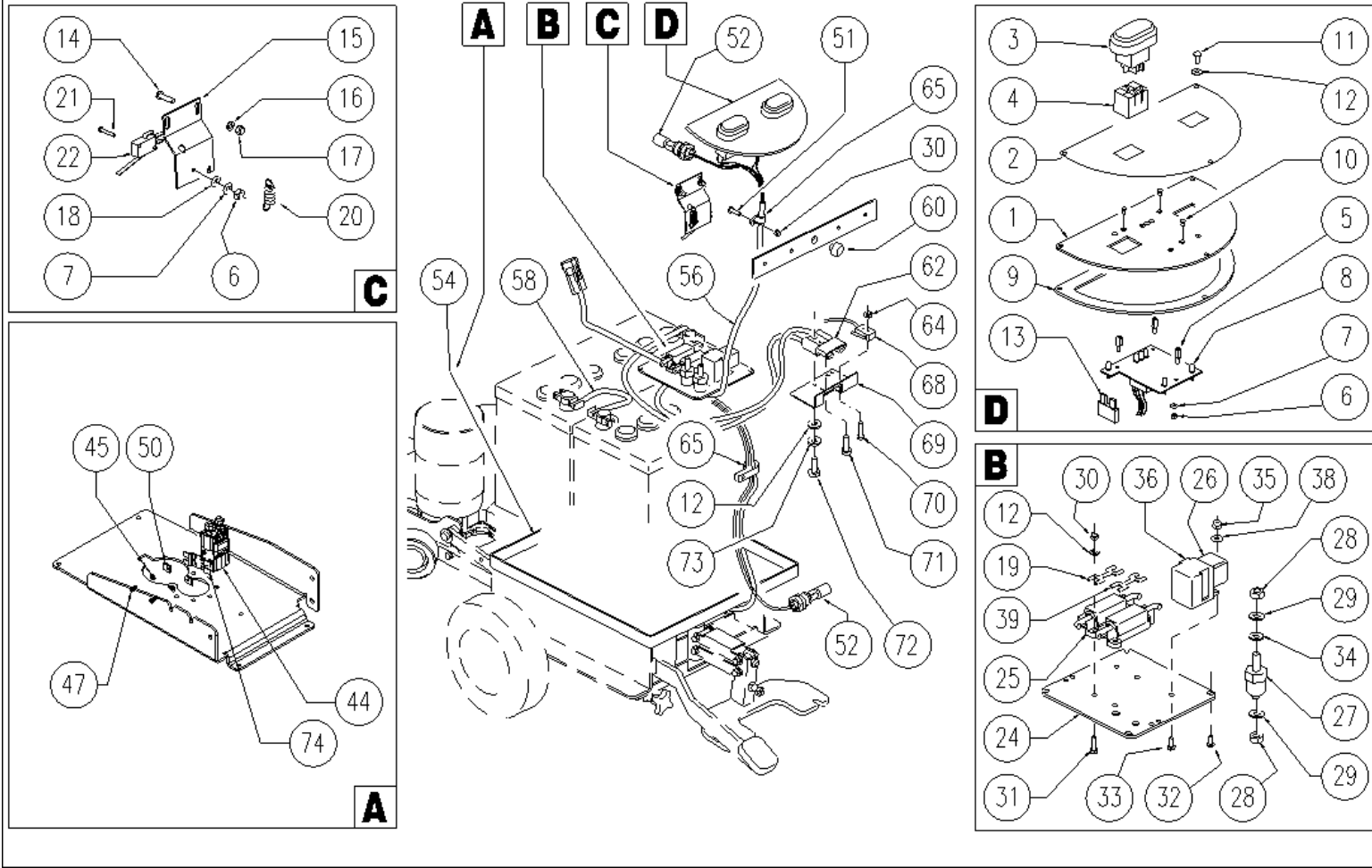
Ref. K	Part N.	Customer Part N.	Description	Qty	Validity:		Price
					From	To	
0001	VTRS15144		WASHER D. 6 INX GRW UNI 1751	8,00			--
0003	VTVT13937		SCREW TE M 8X 30 INX UNI 5739	4,00		03/2008	--
0004	VTRS13947		WASHER D. 8 INX UNI 6592	4,00		03/2008	--
0005	LAFN05920		FLANGE RIDUTTORE	1,00		03/2008	--
0006	RCDS34717		BUSHING D. 9X12X 8.3	4,00		03/2008	--
0007	VTDD01695		NUT M 8 INX	4,00		03/2008	--
0008	VTVT15906		SCREW TE 6X 12 A2 UNI 5739	8,00			--
0009	MFVR00134		DRIVE DISK SPAZZOLE	1,00			--
0010	MPVR02997		CLIP ANELLO X PERNO D10	1,00		05/2009	--
0010	VTVR00416		HANDWHEEL M 6MAX110 D.35	1,00	05/2009		--
0011	CUVR43254		BUSHING CB 85 1010 18T	1,00			--
0012	LAFN04202		TUBE SOLUZIONE INOX D10	1,00			--
0013	MOCC00298		MOTOR.GEARBOX MRP6	1,00		02/2008	--
0013	MOCC00327	#8479.90.9498	MOTOR -	1,00	02/2008		--
0013	MOCC00344		BRUSH -	4,00			--
0014	CUVR43254		BUSHING CB 85 1010 18T	1,00			--
0015	LAFN51028		BUSHING	1,00			--
0016	RCVR45752		HOSE FITTING "L" 3/8M - D.10 PLS.	1,00			--
0017	VTRS00241		WASHER D. 8-24	4,00		03/2008	--



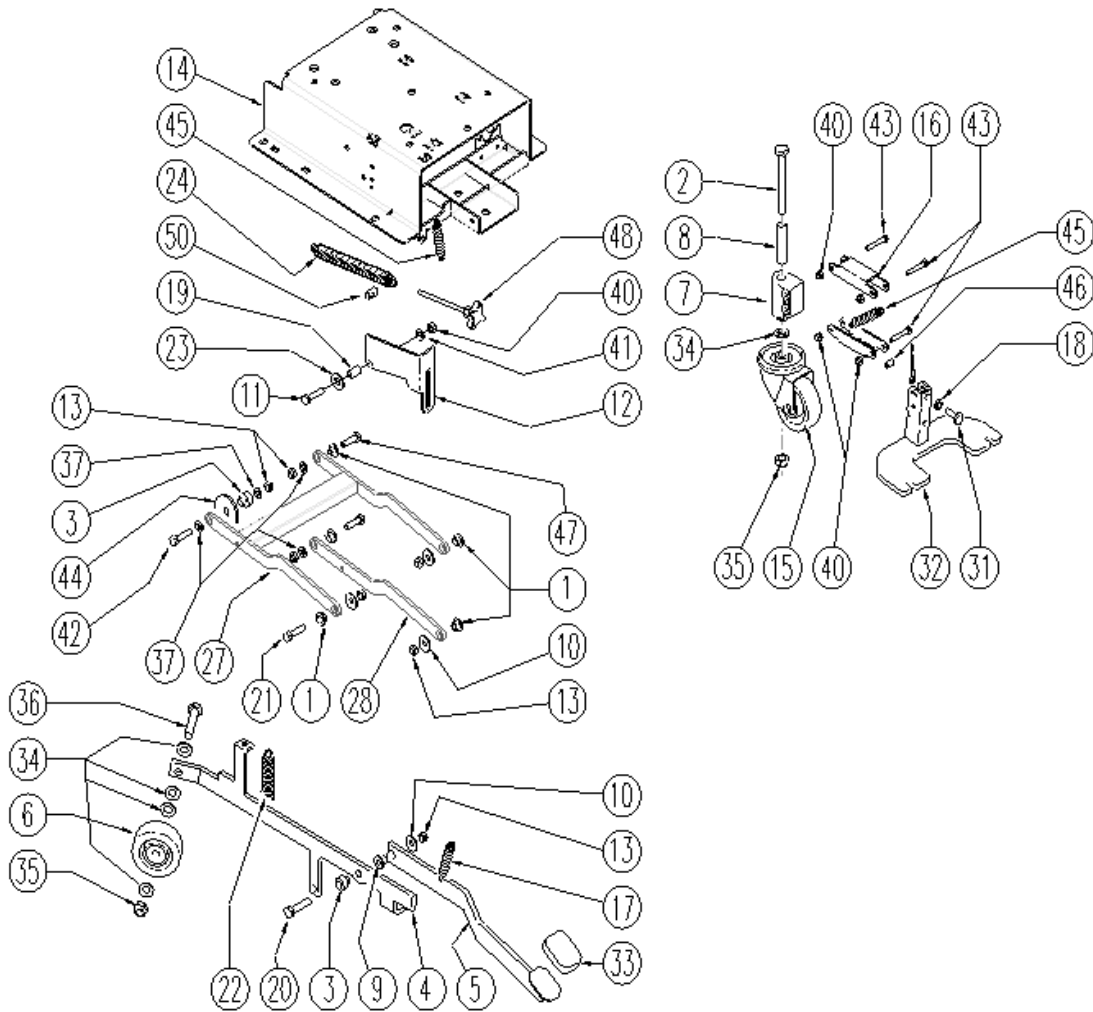
Ref. K	Part N.	Customer Part N.	Description	Qty	Validity:		Price
					From	To	
0002	LAFN06363		FLANGE ASPIRATORE	1,00			--
0003	MPVR05259		TUBE SCARICO	1,00	06/2007		--
0003	TBFX00244		TUBE D 34 L200MM	1,00		06/2007	--
0004	MEVR05200		CARBON MOTORE ASP.AMET.116599-13	2,00			--
0004	MOCC00253		MOTOR ASPIR.BIST.24V	1,00		11/2008	--
0004	MOCC00349		MOTOR ASPIR.BIST.24V	1,00	11/2008		--
0005	VTVR00198		ROD	3,00			--
0006	GUGO00272		GASKET	1,00			--
0007	MPVR04724		FLANGE IN NYLON	1,00			--
0009	FSVR00099		CLAMP FERMATUBO	1,00			--
0010	VTDD01694		NUT M 6 INX	3,00			--
0011	VTRS13945		WASHER D. 6X18 INX UNI 6593	3,00			--
0012	LAFN51078		SPACER SH	3,00			--
0013	VTVT00813		SCREW M 4X 8 TCB-TC UNI 8112	1,00			--
0014	TBFX00268		SUCTION HOSE D80 L=80MM	1,00		04/2007	--
0014	TBFX00312		TUBE ASPIRAZIONE	1,00	05/2007		--
0015	FSVR00118		CLAMP D.94	1,00	05/2007		--
0015	FSVR00500		CLAMP 80-100 INOX	1,00		04/2007	--
0017	MPVR05103		SOUND-PROOFING ASPIRATORE	1,00			--



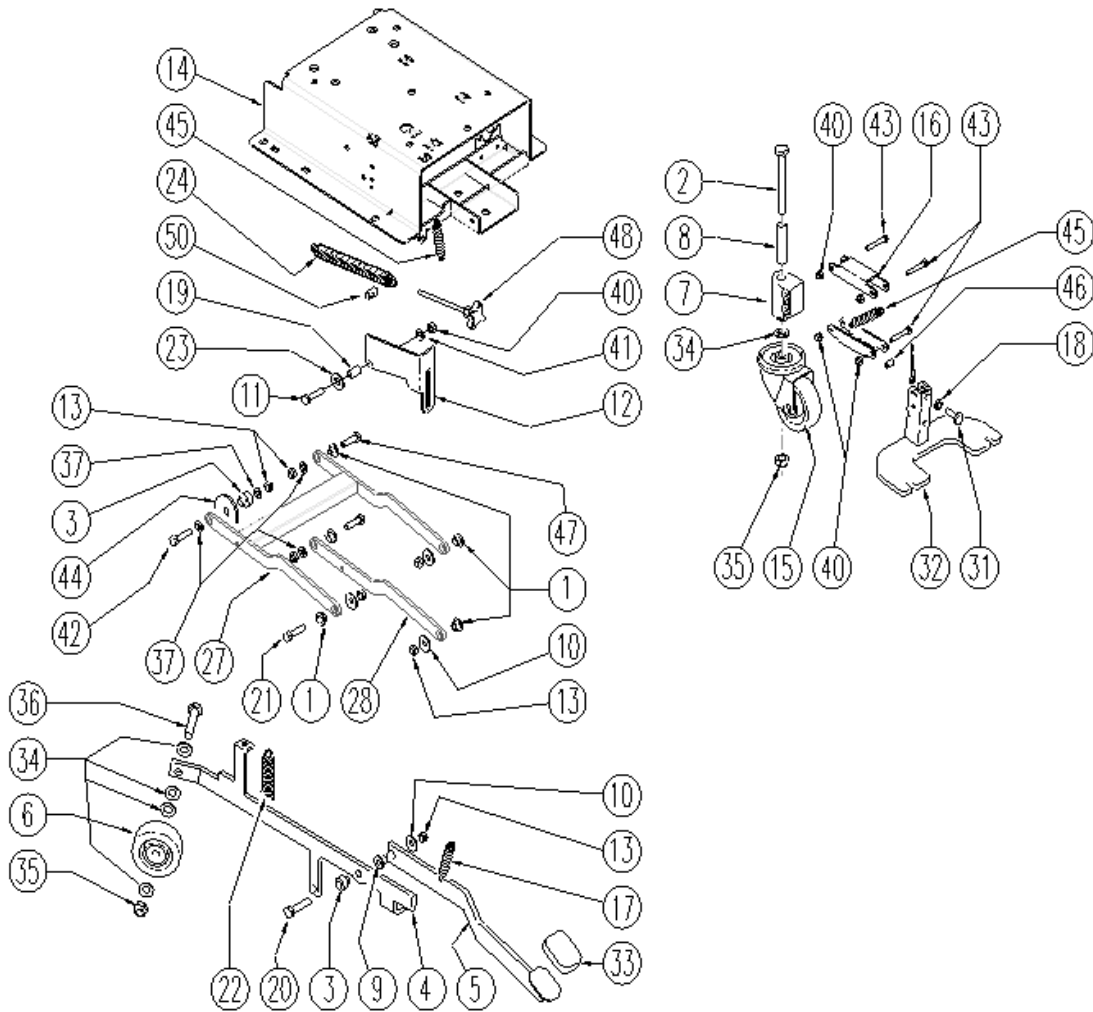
Ref. K	Part N.	Customer Part N.	Description	Qty	Validity:		Price
					From	To	
0001	LAFN06488		SHEET METAL PA.PANNELLO COMANDI	1,00			--
0002	ETET01372		LABEL ANNELLO COMANDI	1,00			--
0003	MECI00346		SWITCH TTR/L BIP. 24V	2,00			--
0004	MECI00384		BASE 401	2,00			--
0005	LAFN04047		SPACER X SCHEDE M3 15x8x8	3,00			--
0006	VTDD21115		NUT M 3 INOX	7,00			--
0007	VTRS00268		WASHER D.3	7,00			--
0008	MECE00398		BOARD EXTREME 24V	1,00			--
0009	GUGO38417		GASKET PANN.COM.EXTREME	1,00			--
0010	VTVT00865		SCREW TSP-TC M 3X 6 UNI7688 INX	3,00			--
0011	VTVT37012		SCREW M 4X 10 TCB-TC INX	3,00			--
0012	VTRS00515		WASHER D. 4 INX	10,00			--
0013	MEVR01428		FUSE A LAMA 2 A. UNIVAL	1,00			--
0014	VTVT07725		SCREW TE 5X16 UNI5739 INX	2,00			--
0015	LAFN05904		PLATE MICRO LEVA	1,00			--
0016	VTRS00516		WASHER D. 5 INX	2,00			--
0017	VTDD01693		NUT M 5 INX	4,00			--
0018	VTRS21116		WASHER D. 3 INX	2,00			--
0019	MEVR02887		FUSE 40A NST.	1,00			--
0020	MLML34726		SPRING TR E350 N	1,00			--
0021	VTVT01316		SCREW TC+ M3-16	2,00			--
0022	MECI36393		MICROSWITCH TRZ. DRW	1,00			--
0024	LAFN05903		PLATE X CABLAGGIO CLT 40 BATT	1,00			--
0025	MEVR01332		FUSE-HOLDER	2,00		07/2009	--
0025	MEVR31036		FUSE-HOLDER	2,00	07/2009		--
0026	MECE00139		RELAY POTENZA 24V	1,00			--
0027	MEVR01116		SUPPORT FUSIBILE 120 A	3,00			--
0028	VTDD15521		NUT M 8 INX A2 UNI 5588	6,00			--
0029	VTRS01080		WASHER D. 8 GRW	6,00			--
0030	VTDD15925		NUT M 4 INX	6,00			--
0031	VTVT00704		SCREW TE M 4X 16 UNI5739 INOX	5,00			--
0032	VTVT01580		SCREW TC M5X10 UNI7687 INOX	4,00		05/2009	--
0032	VTVT07521		SCREW TCB 5X10	4,00	05/2009		--
0033	VTVT21096		SCREW TE M 4X 10 INX	1,00			--
0034	VTRS13947		WASHER D. 8 INX UNI 6592	3,00			--
0035	VTDD00147		NUT M 4 INX U.5588	1,00			--
0036	METT00053		BLOCK PORTA RELE'	1,00			--
0038	VTRS13750		WASHER D. 5X14 INX	1,00			--
0039	MEVR00604		FUSE	1,00	07/2007		--



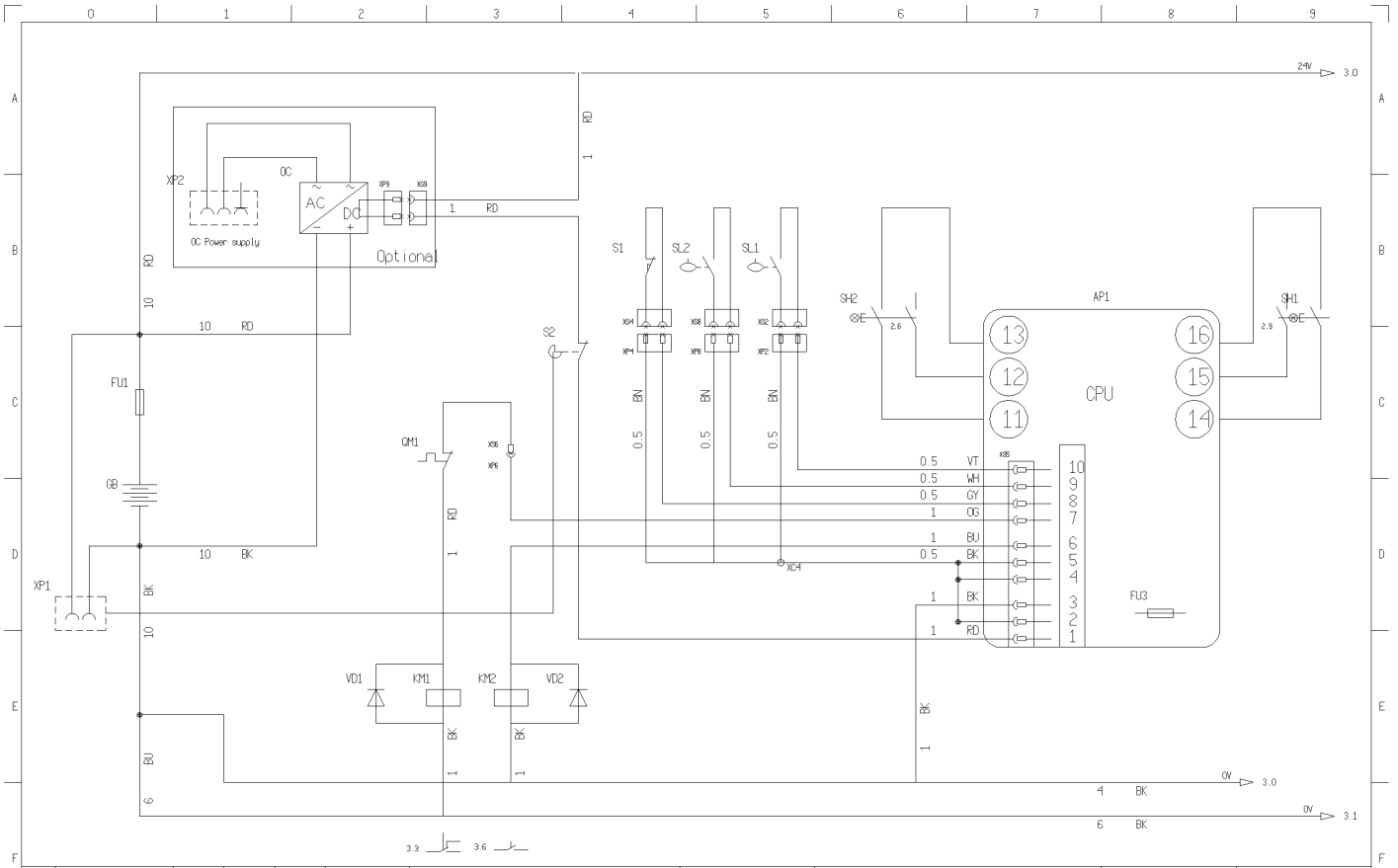
Ref.	K	Part N.	Customer Part N.	Description	Qty	Validity:		Price
						From	To	
0039		MEVR42990		FUSE 60A NST.	1,00		07/2007	--
0044		METT00085		CONTACTOR 100A	1,00	07/2010		--
0044		METT45116	#8479.90.9498	CONTACTOR 24V T106 P	1,00		07/2010	--
0045		VTRS00516		WASHER D. 5 INX	2,00			--
0047		VTVT48694		SCREW TCB TC 5 X12 UNI 9707 TZ	2,00			--
0050		MLML00002		SPRING PRESTOLA DOPPIA 8P	2,00			--
0051		VTVT00704		SCREW TE M 4X 16 UNI5739 INOX	1,00			--
0052		MECI00516		SENSOR DI LIVELLO ORIZZONTALE	2,00			--
0054		LAFN35588		BATTERY SUPPORTLAV. BT	1,00			--
0056		MECB01009		ELECTRI.INSTAL.CT 40 B 24V	1,00			--
0058		MEVR34820		WIRING B 450 BT	1,00			--
0060		MPVR00043		CAP CHIUS.FORO PORTAFUS.L 15	1,00			--
0062		MEVR01707		CONNECTOR -	1,00			--
0064		VTDD08634		NUT M2	2,00			--
0065		FSVR00099		CLAMP FERMATUBO	2,00			--
0068		MECI00334		MICROSWITCH V4	1,00			--
0069		LAFN06409		SUPPORT -	1,00			--
0070		VTVT00671		SCREW TC- M.2-16 OTTONE	2,00			--
0071		VTVT00872		SCREW TSP+ 2.9X13 AUTOFIL. INOX	1,00			--
0072		VTVT00814		SCREW TE M.4-25	2,00			--
0073		VTRS15913		WASHER D. 4 GROVER A2 UNI1751	2,00			--
0074		LAFN07345		BRACKET TL10	1,00	07/2010		--



Ref.	K	Part N.	Customer Part N.	Description	Qty	Validity:		Price
						From	To	
0001		LAFN06391		BUSHING PARALLELOGRAMMA	5,00			--
0002		VTVT24212		SCREW TE M 12X100 UNI 5737 INOX	1,00			--
0003		LAFN04190		BUSHING PARALLELOGR.TEST.GR.	2,00			--
0004		LAFN06359		LEVER SOLLEVAMENTO	1,00		05/2010	--
0004		LAFN07872		LEVER -	1,00	06/2010		--
0005		LAFN06417		LEVER -	1,00		01/2009	--
0005		LAFN07602		LEVER -	1,00	01/2009		--
0006		RTRT49171		CASTER D. 80-12	1,00			--
0007		MPVR04734		BLOCK TERGI	1,00			--
0008		LAFN04188		PIN ROTAZIONE SQUEEGEE	1,00			--
0009		LAFN51068	#8479.90.9498	BUSHING LEVA POSTER.	1,00			--
0010		VTRS13946		WASHER D. 8 X24 INX UNI 6593	4,00			--
0011		VTVT00161		SCREW TE M6X20	1,00			--
0012		LAFN10124		PLATE	1,00			--
0013		VTDD01695		NUT M 8 INX	7,00			--
0014		LAFN07293		BASE SERBATOIO	1,00			--
0015		RTRT00276		SMALL WHEEL GIREVOLE PER SPAZZANTE	1,00		05/2008	--
0015		RTRT00518		WHEEL D.80	1,00	05/2008		--
0016		LAFN05853		LEVER ARM SOLLEVAMENTO TERGI	2,00			--
0017		MLML34726		SPRING TR E350 N	1,00			--
0018		VTDD15521		NUT M 8 INX A2 UNI 5588	1,00			--
0019		LAFN03840		BUSHING	1,00			--
0020		VTVT15917		SCREW TE M 8X50 INOX A2 UNI	1,00			--
0021		VTVT15907		SCREW TE 8X25 UNI5739 INX	3,00			--
0022		MLML00310		SPRING -	1,00		01/2008	--
0022		MLML00313		SPRING -	1,00	05/2008		--
0022		MLML00313		SPRING -	1,00	01/2008	05/2008	--
0023		VTRS00274		WASHER NYLON 66 D.8,4-17-2 UNI	1,00			--
0024		MLML31130		SPRING D. 17.5 X110 N38	1,00			--
0027		LAFN06388		ARM TESTATA SUPERIORE	1,00			--
0028		LAFN06389		ARM PARALLELOGRAMMA	1,00			--
0031		VTVT13937		SCREW TE M 8X 30 INX UNI 5739	1,00			--
0032		LAFN06355		PLATE SQUEEGEE	1,00		04/2009	--
0032		LAFN07560		PLATE -	1,00	04/2009		--
0033		MPVR05186		COVER -	1,00			--
0034		VTRS00312		WASHER D.13 x24 INOX	5,00			--
0035		VTDD00176		NUT M.12 INOX A2 BASSO AUTOB.	2,00			--
0036		VTVT00836		SCREW TE M12-60 INOX	1,00			--
0037		VTRS13947		WASHER D. 8 INX UNI 6592	4,00			--

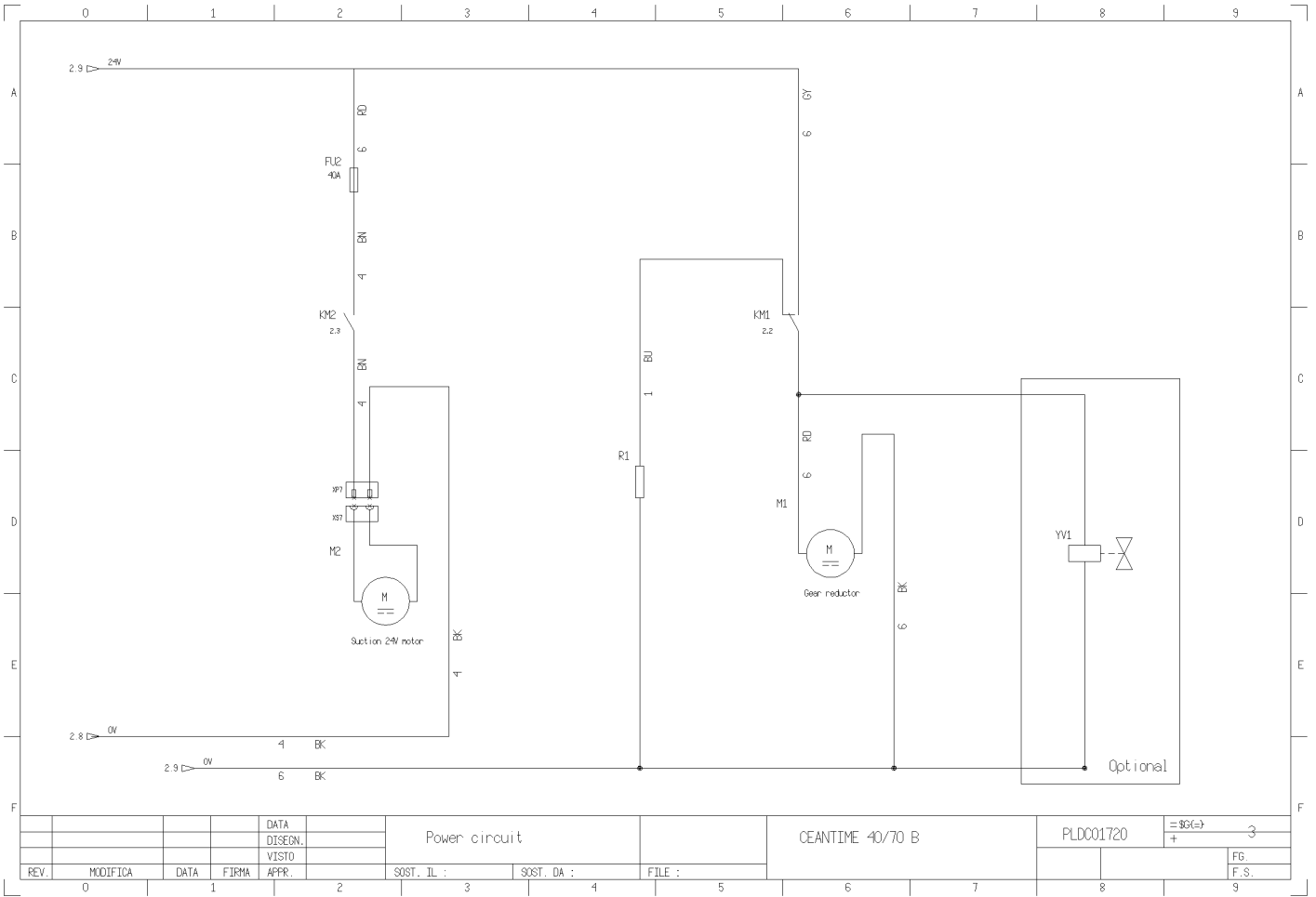


Ref. K	Part N.	Customer Part N.	Description	Qty	Validity:		Price
					From	To	
0040	VTDD01694		NUT M 6 INX	5,00			--
0041	VTRS00245		WASHER D.6 UNI 6592 INOX	1,00			--
0042	VTVT00410		SCREW TE M8x35 UNI5739 INOX	1,00			--
0043	VTVT01683		SCREW TE 6X40	4,00			--
0044	MPVR05134		GASKET D.60 FORO D.12 SP.2	1,00			--
0045	MLML00303		SPRING REGISTRAZIONE FLAP	2,00			--
0046	LAFN03742		SPACER SILENZIATORE	1,00		06/2008	--
0046	LAFN06898		SPACER 6-8 h15	1,00	06/2008		--
0047	VTVT13937		SCREW TE M 8X 30 INX UNI 5739	2,00			--
0048	VTVR35749		HANDWHEEL M 6MAX110 D.35	1,00			--
0050	LAFN35747		SPRING SUPPORT LAV. E/B 450	1,00			--



REV.	MODIFICA	DATA	FIRMA	APPR.	DATA DISSEGN. VISTO	Signals circuit	CEANTIME 40/70 B	PLDC01720	= 80(-) +	2	FG. F.S.
0						SOST. IL :					
1						SOST. DA :					
2						FILE :					

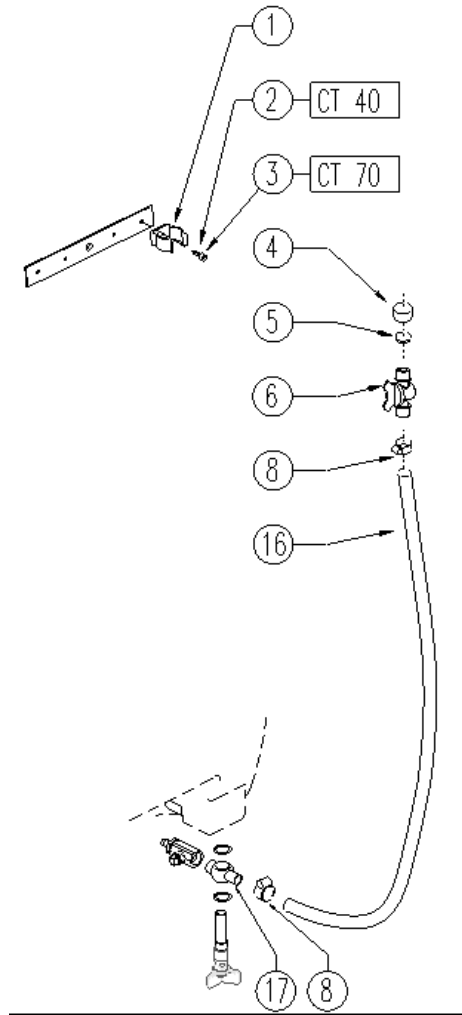
Ref.	K	Part N.	Customer Part N.	Description	Qty	Validity: From	To	Price
AP1		MECE00398		BOARD EXTREME 24V	1,00			--
FU1		MEVR00604		FUSE	1,00			--
KM1		METT00056		CONTACTOR T-106	1,00			--
KM2		MECE00139		RELAY POTENZA 24V	1,00			--
QM1		METT00063		PROTECTION TERMICA	1,00			--
S1		MECI36393		MICROSWITCH TRZ. DRW	1,00			--
SH1		MECI00346		SWITCH TTR/L BIP. 24V	1,00			--
SH2		MECI00346		SWITCH TTR/L BIP. 24V	1,00			--
SL1		MECI00516		SENSOR DI LIVELLO ORIZZONTALE	1,00			--
SL2		MECI00516		SENSOR DI LIVELLO ORIZZONTALE	1,00			--
XP1		MEVR01079		PLUG M CB50 A 600V RD.	1,00			--



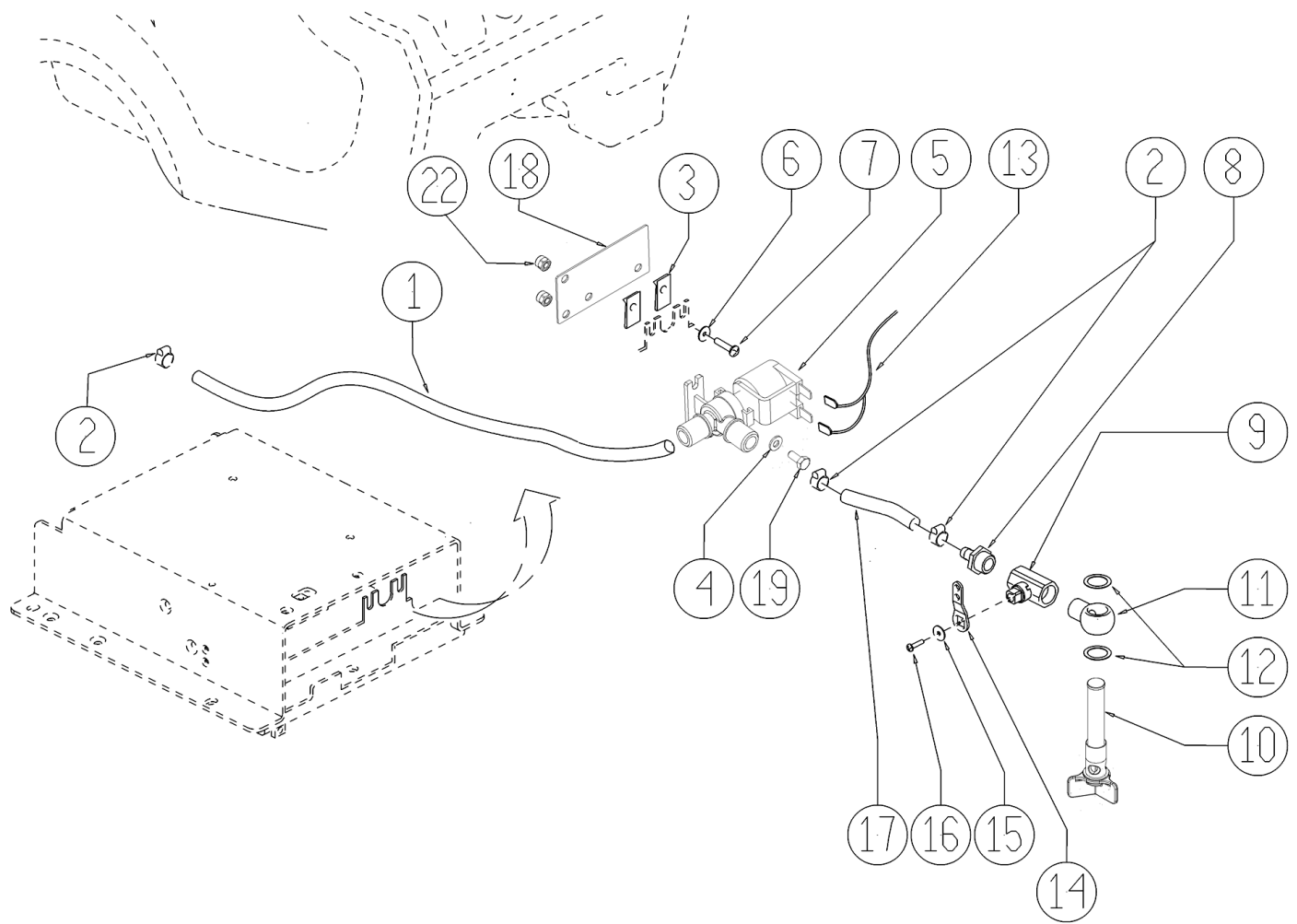
Ref.	K	Part N.	Customer Part N.	Description	Qty	Validity: From	To	Price
FU2		MEVR02887		FUSE 40A NST.	1,00			--
M1		MOCC00298		MOTOR.GEARBOX MRP6	1,00		02/2008	--
M1		MOCC00327	#8479.90.9498	MOTOR -	1,00	02/2008		--
M2		MOCC00253		MOTOR ASPIR.BIST.24V	1,00		11/2008	--
M2		MOCC00349		MOTOR ASPIR.BIST.24V	1,00	11/2008		--
R1		MECE00391		RESISTANCE 1 OHM 50 W	1,00			--
YV1		MEEV00018		SOLENOID VALVE	1,00			--

	0	1	2	3	4	5	6	7	8	9	
A		AP1 =0G 2	Extreme CPU card 24V		R1 =0G 3	Resistor		YV1 =0G 3	Electrovalve 24V 14W DC 7250 169		A
		FU1 =0G 3	Fuse 60A NST.		S1 =0G 2	Microswitch drive					
B		FU2 =0G 3	Fuse 40A NST.		S2 =0G 2	Microswitch external battery chang. connector					B
		FU3 =0G 2	Blade fuse 2A Unival		SH1 =0G 2	Switch TTR/L Bip 24V					
C		GB =0G 2	24V battery		SH2 =0G 2	Switch TTR/L Bip 24V					C
		KM1 =0G 2	Contactore T-106		SL1 =0G 2	Fluid level					
D		KM2 =0G 2	Power relay 24V		SL2 =0G 2	Fluid level					D
		M1 =0G 3	Gear reductor		VD1 =0G 2	Diode					
E		M2 =0G 3	Suction 24V motor		VD2 =0G 2	Diode					E
		OC =0G 2	OnBoard Battery changer (optional)		XP1 =0G 2	24V ext. battery changer					
F		QM1 =0G 2	Termical protection gear reductor		XP2 =0G 2	OC Power supply					F
			DATA DISSEG. VISTO APPR.	Components			CEANTIME 40/70 B	PLDC01720	=SG(=) +	4	
REV.	MODIFICA	DATA	FIRMA	APPR.	SOST. IL :	SOST. DA :	FILE :				FG. F.S.

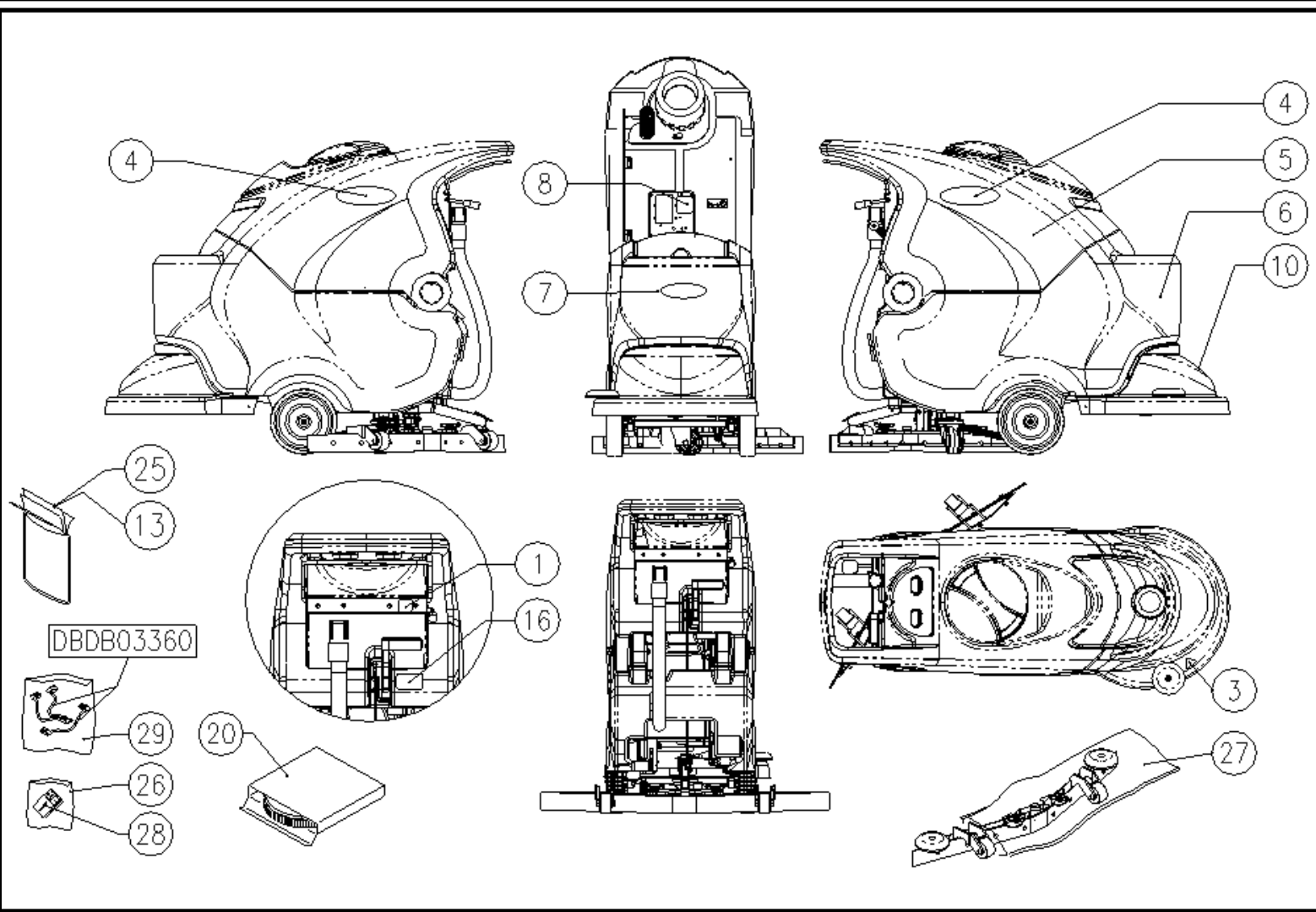
Ref.	K	Part N.	Customer Part N.	Description	Qty	Validity:		Price
						From	To	
AP1		MECE00398		BOARD EXTREME 24V	1,00			--
FU1		MEVR00604		FUSE	1,00			--
FU2		MEVR02887		FUSE 40A NST.	1,00			--
KM1		METT00056		CONTACTOR T-106	1,00			--
KM2		MECE00139		RELAY POTENZA 24V	1,00			--
M1		MOCC00298		MOTOR.GEARBOX MRP6	1,00		02/2008	--
M1		MOCC00327	#8479.90.9498	MOTOR -	1,00	02/2008		--
M2		MOCC00253		MOTOR ASPIR.BIST.24V	1,00		11/2008	--
M2		MOCC00349		MOTOR ASPIR.BIST.24V	1,00	11/2008		--
QM1		METT00063		PROTECTION TERMICA	1,00			--
R1		MECE00391		RESISTANCE 1 OHM 50 W	1,00			--
S1		MECI36393		MICROSWITCH TRZ. DRW	1,00			--
SH1		MECI00346		SWITCH TTR/L BIP. 24V	1,00			--
SH2		MECI00346		SWITCH TTR/L BIP. 24V	1,00			--
SL1		MECI00516		SENSOR DI LIVELLO ORIZZONTALE	1,00			--
SL2		MECI00516		SENSOR DI LIVELLO ORIZZONTALE	1,00			--
XP1		MEVR01079		PLUG M CB50 A 600V RD.	1,00			--
YV1		MEEV00018		SOLENOID VALVE	1,00			--



Ref. K	Part N.	Customer Part N.	Description	Qty	Validity:		Price
					From	To	
0001	MPVR05280		CLIP M25	1,00			--
0002	VTVT19236		SCREW TCEI 5X20 UNI 5931	1,00			--
0003	VTVT01327		SCREW TCEI 5X25 UNI5931	1,00			--
0004	RCVR00353		CAP 1/2"G X ELETTR. ACL	1,00			--
0005	GUGO00268		GASKET D.21 SP.3 GOMMA	1,00			--
0006	RCVR00590		CONNECTOR 1/2 M RESCA 15	1,00			--
0008	FSVR00428		CLAMP D. 12-20	4,00			--
0016	TBBP00435		TUBE D.16	1,00			--
0017	RCVR00747		CONNECTOR G 1/2	1,00			--



Ref. K	Part N.	Customer Part N.	Description	Qty	Validity:		Price
					From	To	
0001	TBFX48011		TUBE FLEX D.12X3 ARMORV.PVC TR	0,71			--
0002	FSVR00091		CLAMP 14-24	4,00			--
0003	MLML00002		SPRING PRESTOLA DOPPIA 8P	2,00			--
0004	VTRS00515		WASHER D. 4 INX	2,00			--
0005	MEEV00036		SOLENOID VALVE	1,00			--
0006	VTRS00516		WASHER D. 5 INX	2,00			--
0007	VTVT48694		SCREW TCB TC 5 X12 UNI 9707 TZ	2,00			--
0008	RCVR00536		CONNECTOR PORTAG.	1,00			--
0009	RCGR00065		TAP F/F 1/2"	1,00			--
0010	MPVR05221		FILTER COMPLETO	1,00			--
0011	RCDS49622		CONNECTOR OCC 1/2 - 1/2M	1,00			--
0012	VTRS00567		WASHER 1/2	2,00			--
0013	MECB01247		WIRING	1,00			--
0014	LAFN05902		LEVER RUBINETTO	1,00			--
0015	VTRS00251		WASHER 4-16 INOX A2	1,00			--
0016	VTVT00633		SCREW M 3X 20 TCB-TC BK.U.7687	1,00			--
0017	TBFX48011		TUBE FLEX D.12X3 ARMORV.PVC TR	0,11			--
0018	LAFN08843		PLATE -	1,00			--
0019	VTVT21096		SCREW TE M 4X 10 INX	2,00			--
0022	VTDD00055		NUT M 4 ATB A2	2,00			--



Ref. K	Part N.	Customer Part N.	Description	Qty	Validity:		Price
					From	To	
0001	ETET01447		LABEL	1,00			--
0003	ETET01014		ADHESIVE ATTENZ.ABRAS.ARTI	1,00			--
0004	ETET01681		LABEL -	2,00			--
0005	MPVR05548		TANK -	1,00			--
0006	MPVR05090		CARRYNG BAG	1,00			--
0007	ETET01637		LABEL -	1,00			--
0008	ETET00763		LABEL SIMBOLO FUSIBILI	1,00			--
0010	MPVR04722		BRUSH PROTECT. 55	1,00			--
0013	PLDC01423		MANUAL	1,00			--
0016	ETET01407		PLATE APERTURA SERBATOIO	1,00			--
0020	SPPV43963		BRUSH NYL 0.8 500	1,00			--
0025	PLDC01450		MANUAL RIC. CLT40	1,00			--
0026	MIVR00072		ENVELOPE PLASTICA TRASP.	1,00			--
0027	MIVR00048		TUBE UNIBOL	1,00			--
0028	MEVR01079		PLUG M CB50 A 600V RD.	1,00			--
0029	MIVR00064		ENVELOPE PORTA CABLAGGI	1,00			--