



**IPC Integrated Professional Cleaning**

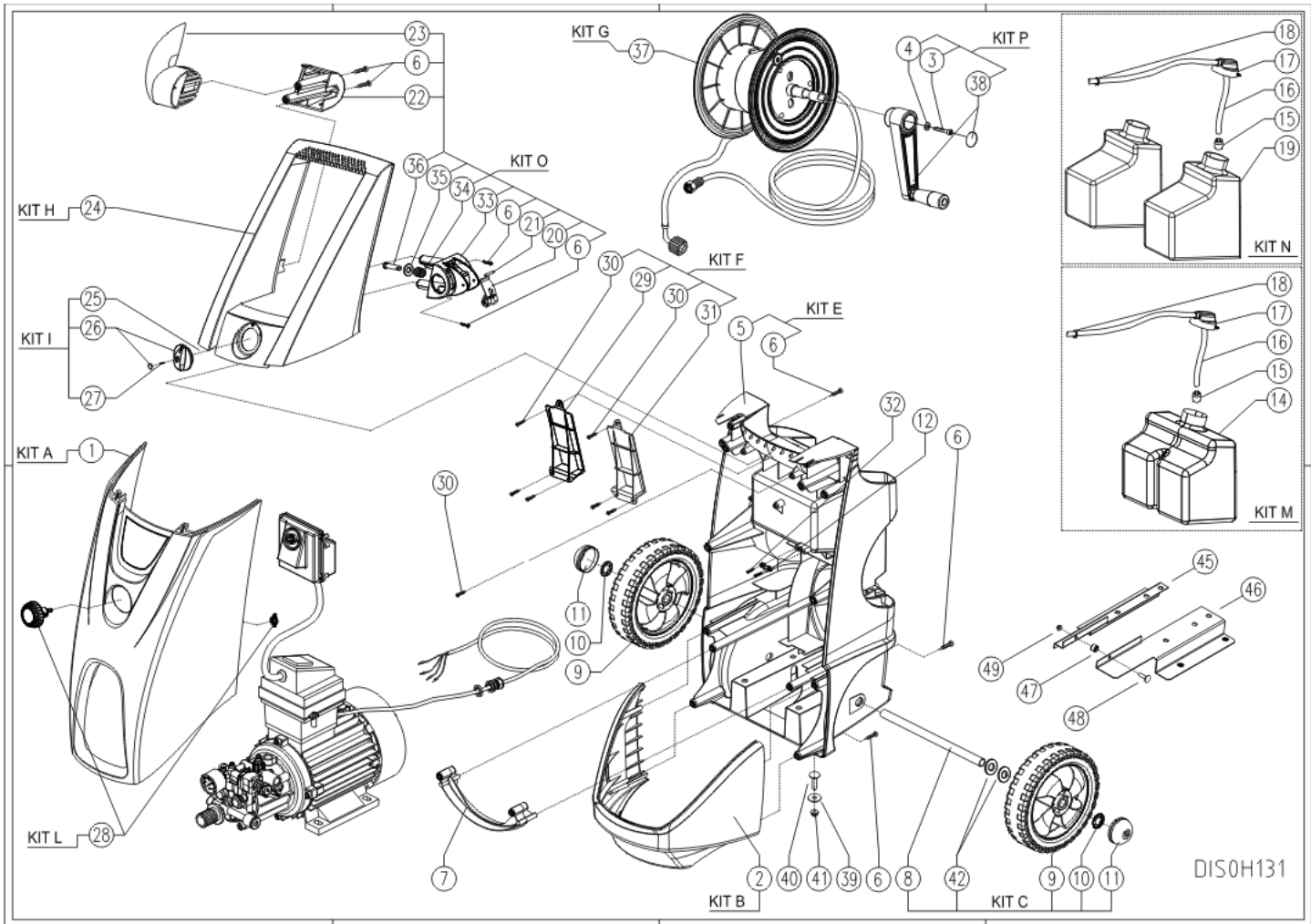
**IPC**Portotecnica

## **Spare Parts List**

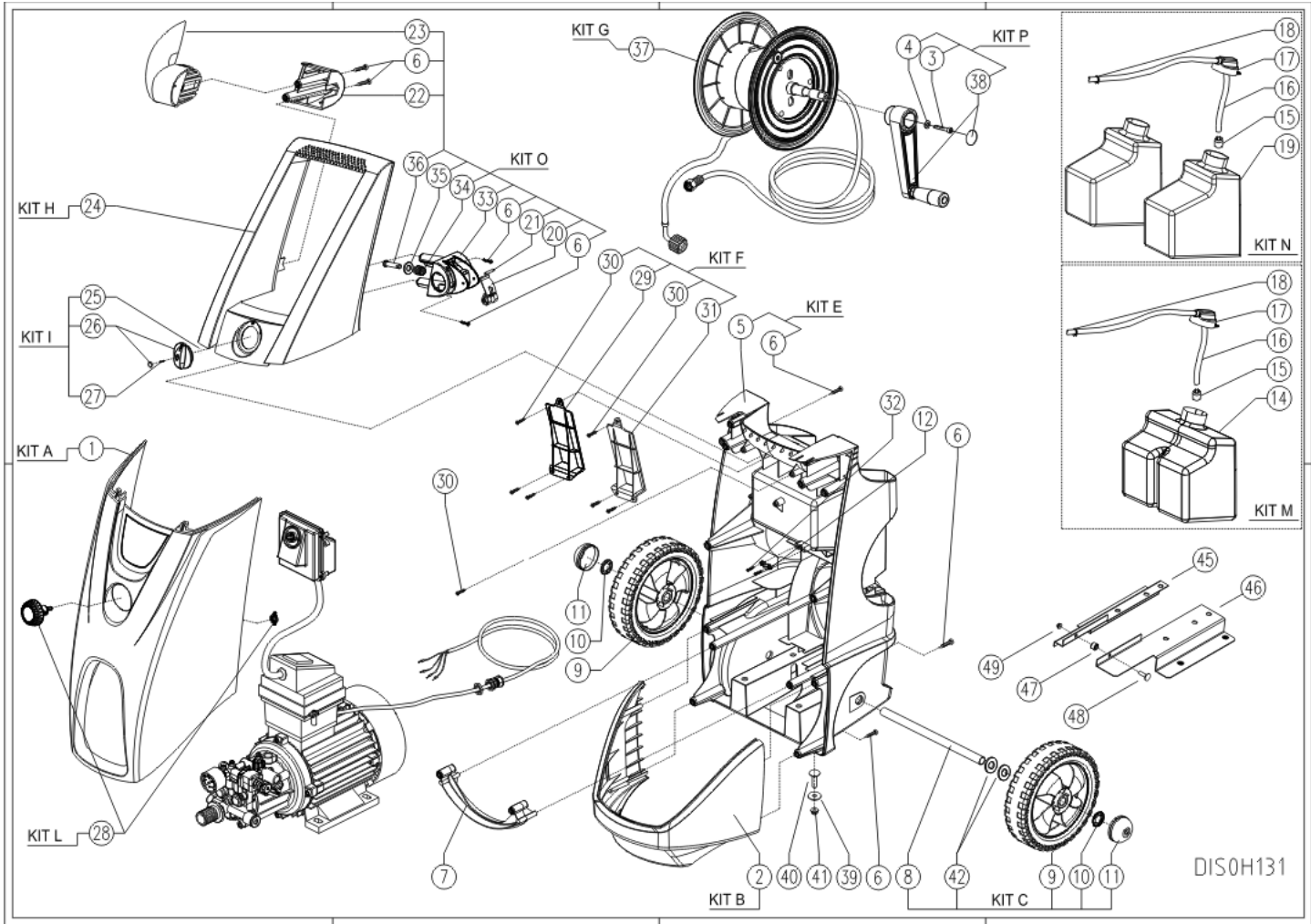
**IPC EAGLE**

**Ref: IDAF40073**

**Model: IDROP GPOWER 1500X 2T DS M115/60 3-01P60**

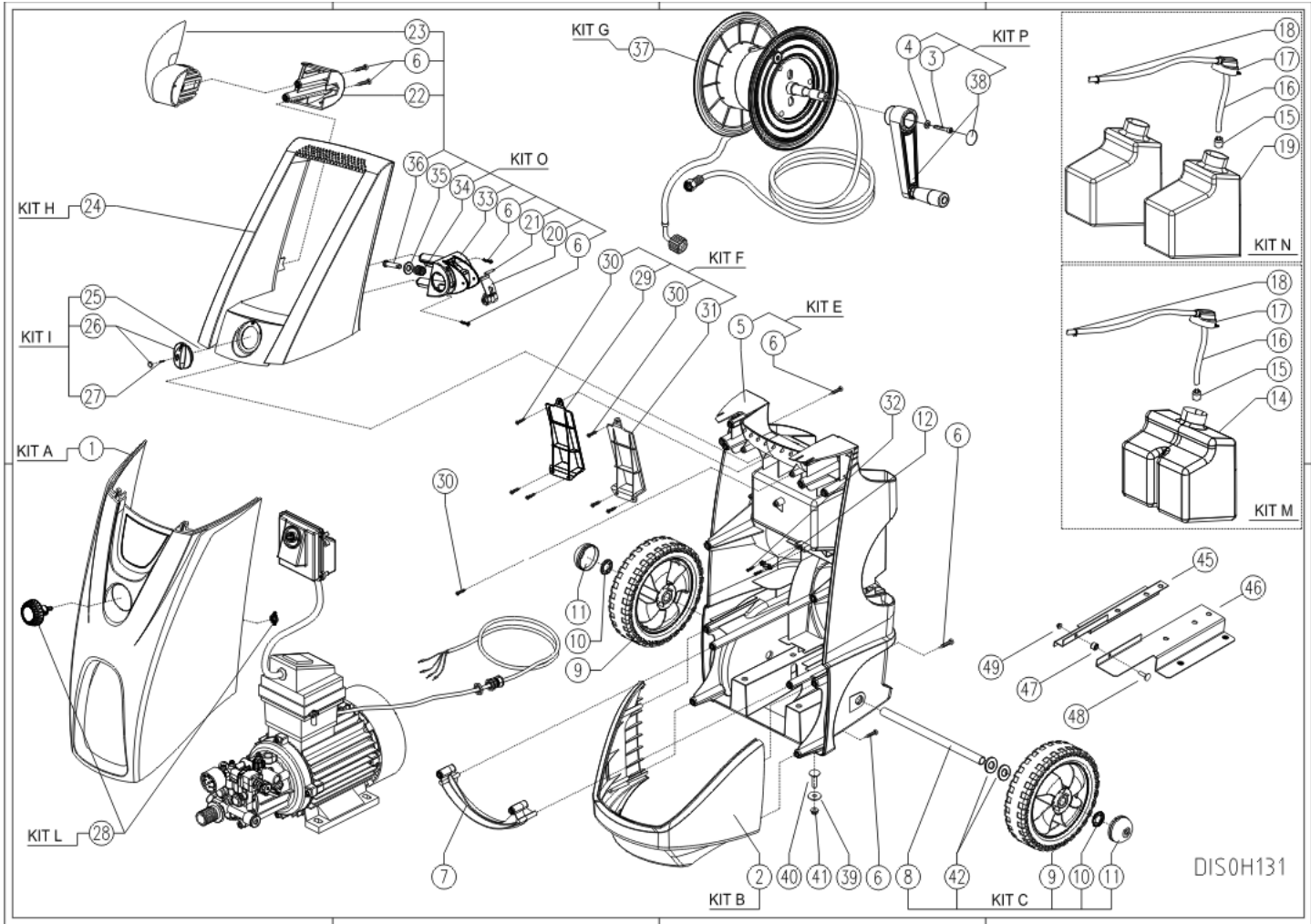


Ref.	K	Part N.	Customer Part N.	Description	Qty	Validity:		Price
						From	To	
0001	E	MPVR92126		RED COVER "SERIE G" IPC	1,00			--
0002	E	MPVR92120		BAND ANT. "SERIE G"	1,00			--
0004		VTRS00504		WASHER D. 8 TE ZC. UNI 6592	1,00			--
0005	E	MPVR93779		FRAME "SERIE G" M90	1,00			--
0006	E	VTVT80745		SCREW TCB-TC 5 X25	14,00			--
0008		LAFN93781		WHEELS AXLE H 121	1,00			--
0009		RTRT93782		WHEEL D.200-15X57 "SW RT"	2,00			--
0010		VTRS60945		WASHER D.15	2,00			--
0011		MPVR93783		HUB CAP NERO X RUOTA D.200 "SW	2,00			--
0015	E	MPVR60422		SUCTION FILTER DETERG.HOBBY 90	2,00			--
0016		TBBP04917		L.P. HOSE D. 6- 9	1,70			--
0017	E	MPVR91923		TANK CAP "G160"	2,00			--
0018	E	FSVR72803		CLAMP D 9.3 - 9.9	4,00			--
0019	E	MPVR92131		DETERGENT TANK "SERIE G" LT 1,5	2,00			--
0020	E	MPVR92108		ECCENTRIC CAM AVTB "G"	1,00			--
0021	E	VTVR92465		PLUG D. 4X20 UNI 1707 INX	1,00			--
0022	E	MPVR92112		HOSE WIND.SUPP."SERIE G" DX	1,00			--
0023	E	MPVR92116		HOOK "SERIE G" DX	1,00			--
0024		MPVR92477		HANDLE "SERIE G"	1,00			--
0025		GUGO01060		O-RING D. 9.92 X 2.62 NBR 70SH	1,00			--
0026		MPVR93837		SWITCH KNOB SERIE "G"	1,00			--
0027		VTVT93828		SCREW M2,5x8 TSP-CR UNI8113TT	1,00			--
0028	E	RCGR93688		TAP "G" TAMP. 1T	1,00			--
0029	E	MPVR93244		PLATE TELAIO "SERIE G" DX	1,00			--
0030	E	VTVT67350		SCREW TCB TC 5X20 Z.N. UNI9707	3,00			--
0031	E	MPVR93245		PLATE TELAIO "SERIE G" SX	1,00			--
0032		VTVT62978		SCREW TCB TC 4,8X16 ZC	2,00			--
0033	E	MPVR92118		HOSE WIND.SUPP."SERIE G" SX	1,00			--
0034	E	MLML92466		SPRING SPINTA CAMMA BLOC. "G"	1,00			--
0035	E	LAFN40163		SPACER B.PASS 12	1,00			--
0036	E	RCDS92467		PIN AVVOLGITUBO H120	1,00			--
0037		AVTB93806		HOSE REEL "G190" AP+GM 12 INOX	1,00			--
0038		MPVR92147		HANDLE AVV/TUB"SERIE F"138-60 M8	1,00			--
0042	E	VTRS63213		WASHER 23X15X1,5 ZIN. AX 120	4,00			--
0045		LAFN40157		MOTOR SUPPORT G.POWER AR DX	1,00			--
0046		LAFN40158		MOTOR SUPPORT G.POWER AR SX	1,00			--
0047		LAFN40159		SPACER D. 6-12 L= 8 ZB	4,00			--
0048		VTVT09668		SCREW TCB-TC 5X45 UNI7687	1,00			--
0049		VTDD08171		NUT M 5 TEF	1,00			--

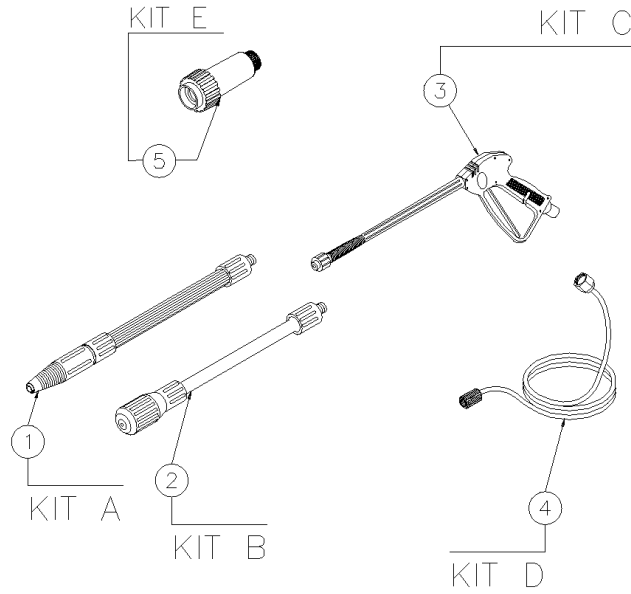


DIS0H131

Ref.	K	Part N.	Customer Part N.	Description	Qty	Validity:		Price
						From	To	
0050	E	GUVR82555		JOINT D. 4	0,40			--
0051	E	MPVR91919		BOX COVER "G160"	1,00			--
0052	E	MPVR91921		BUSHING SCAT.EL. SERIE "G"	1,00			--
9999		PPEL40003		GROUP 290( 95)TSS EM 120/60 15A	1,00			--

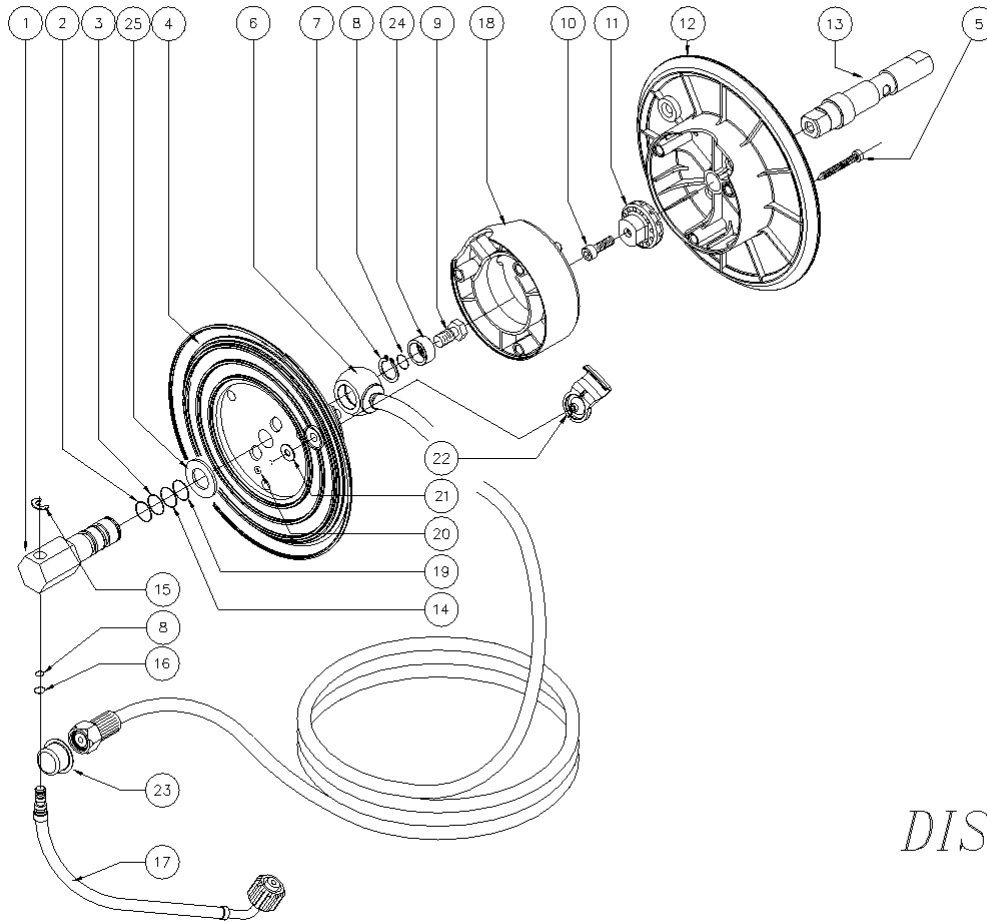


Ref.	Part N.	Cust. Part N.	Description	Reference	Price
K 6	KTRI92987		SCREW KIT F 30-006 (50 PZ)	0006	--
K A	KTRI93635		RED COVER KIT F24-074 "G" (3 PZ)	0001	--
K B	KTRI93502		BAND KIT F24-056 ANT. "G" (5P)	0002 0006	--
K C	KTRI93921		WHEEL KIT F1-005 G 190 (2P)	0008 0009 0010 0011 0042	--
K E	KTRI93922		FRAME KIT F24-092 SERIE G190(1)	0005 0006	--
K F	KTRI93506		PLATE KIT F24-059 "G"DX/SX (10P)	0029 0030 0031	--
K G	KTRI94056		HOSE REEL K F 35-007 G190 ITG+GM 12	0037	--
K H	KTRI93623		HANDLE KIT F 24-071 "SERIE G" 3P	0024	--
K I	KTRI93923		GREY KNOB KIT F04-002 INT.G190(20P)	0025 0026 0027	--
K L	KTRI93524		TAP KIT F6-006 "G" 2T (10PZ)	0028	--
K N	KTRI93525		DETERGENT TANK KIT F6-007 "G" 1,5LT(2PZ)	0015 0016 0017 0018 0019	--
K O	KTRI93522		HOOK KIT F24-063 "PRO150X"(1PZ)	0006 0020 0021 0022 0023 0033 0034 0035 0036	--
K P	KTRI93527		HANDLE KIT F24-065 AVTB "G"(1PZ)	0003 0004 0038	--
K 30	KTRI93514		SCREW KIT F 30-013 (50 PZ)	0030	--



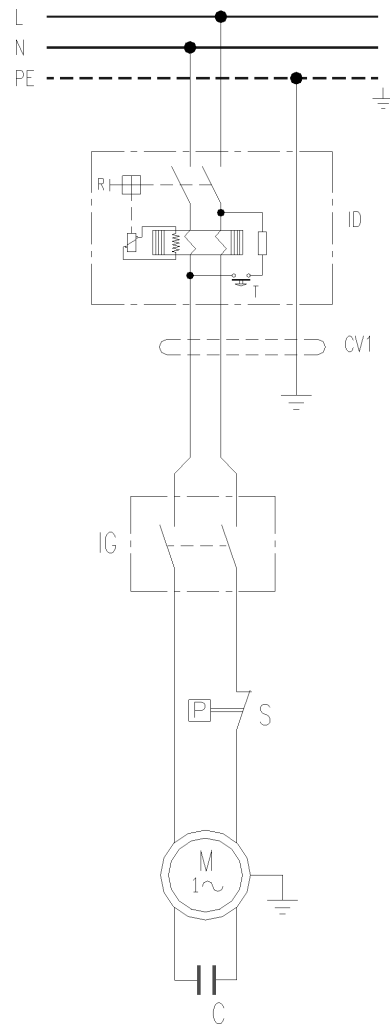
VARI0059

Ref. K	Part N.	Customer Part N.	Description	Qty	Validity:		Price
					From	To	
0002	LCPR93817		EXTENSION P 470 - I.JET D.1.15 RS	1,00			--
0002	LCPR93178		LANCE TURBO TTR-16+SF230 D.1,35	1,00			--
0003	IPPR89429		GRIP G 4500 - P.330 -M22SW.M V	1,00			--

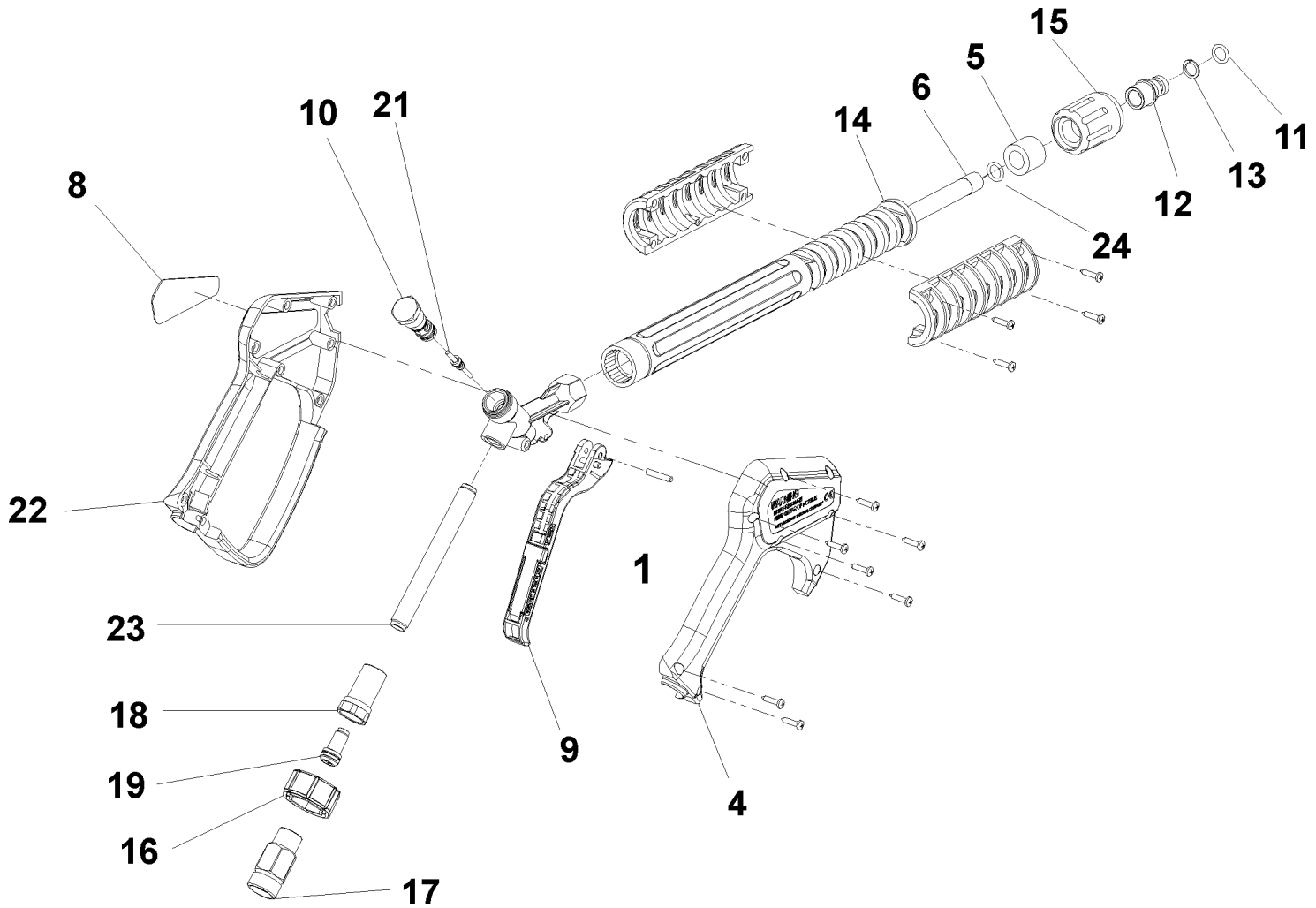


DISO D072

Ref. K	Part N.	Customer Part N.	Description	Qty	Validity:		Price
					From	To	
0001	RCDS92573		PIN DIFF. AVTB "SERIE G" A.P	1,00		06/2007	--
0001	RCDS93816		PIN DIFF. AVTB "SERIE G" A.P	1,00	07/2007		--
0002	GUGO09720		O-RING D. 14 X 1.78 NBR 70SH	1,00			--
0003	GUVR63567		ANTI-EXTR.RING X OR 2056	1,00			--
0004	MPVR81713		DISC AVVOLGITUBO H120	1,00			--
0005	VTVT91877		SCREW ATF TSP CROCE 4,5X60 Z.G.	3,00			--
0006	TBAP93834		H.P. HOSE 1/4 GM 210B 12M AVTB INOX	1,00	09/2007		--
0006	RCIN03754		FEMALE COUPLIN.1/4MB	1,00			--
0007	VTAE63319		CIRCLIP D. 16 UNI7435	1,00			--
0008	GUGO12489		O-RING D. 6.07 X 1.78 NBR 70SH	2,00			--
0009	RCDS92670		SCREW TE M 8X1X13 ALL.	1,00			--
0010	VTVT07947		SCREW TCEI 8X20 UNI5931	1,00			--
0011	MPVR93869		DRIVE DISK AVVOLG. SERIE "H122" AP	1,00			--
0012	MPVR81714		DISC AVVOLGITUBO H120	1,00			--
0013	RCDS91876		PIN MANIGLIA AVV. AQK-1500	1,00			--
0014	GUGO11652		O-RING D. 12.42 X 1.78 NBR 70SH	1,00			--
0015	VTAE82459		RING D. 7 UNI 7434	1,00			--
0016	GUGO03500		O-RING D. 6.75 X 1.78 NBR 70SH	1,00			--
0017	TBAP93806		HOSE AVV. G190XPW L=600	1,00			--
0018	MPVR91875		SPACER AVTB "G" L= 40mm	1,00			--
0019	GUVR93340		ANTI-EXTR.RING 16X13,2X1,45 PTFE SP5611	1,00			--
0020	VTVT67352		SCREW ATF TSP CROCE 4,8X16 ZIN.	1,00			--
0021	VTRS63232		WASHER D. 8 X17	1,00			--
0022	MPVR92672		BLOCK TUBO AVTB "G"	1,00			--
0023	MPVR63686		CAP D.22,5 - O1S/T22,5	1,00			--
0024	RCDS93495		SPACER PERNO DIFF. AVTB "G"	1,00			--
0025	VTRS93497		WASHER D.18,5 X24 X0,3 OT	1,00			--

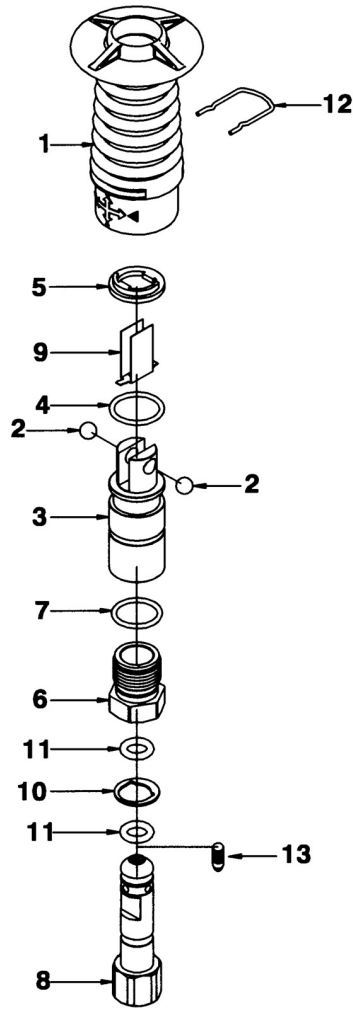


Ref. K	Part N.	Customer Part N.	Description	Qty	Validity:		Price
					From	To	
IG	MECI93803		SWITCH AQUA 3022/56 A AC + HOLE	1,00			--

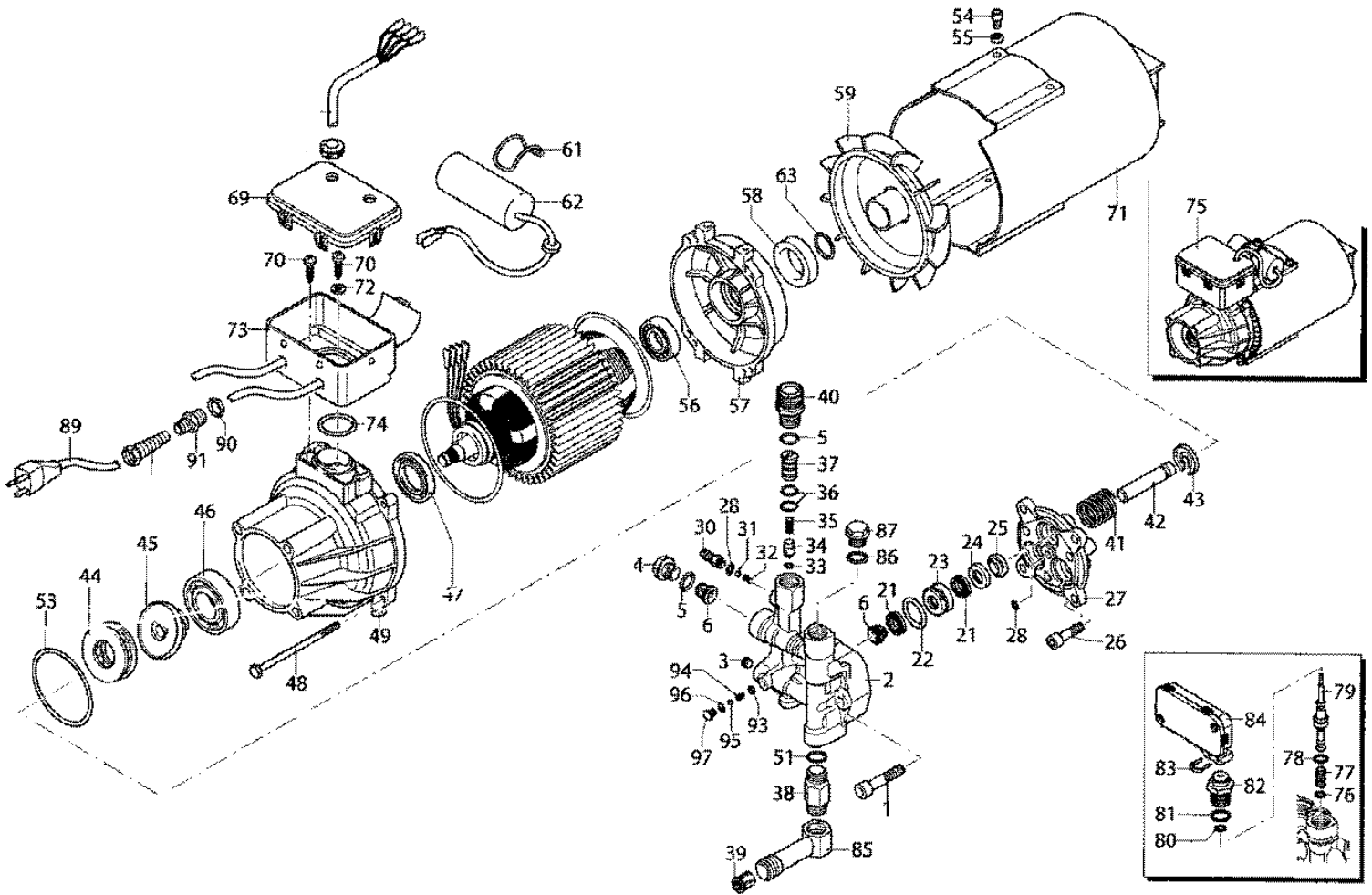


Ref.	K	Part N.	Customer Part N.	Description	Qty	Validity:		Price
						From	To	
0001		VTVR46568		PLUG G 4500	1,00			--
0004		MPVR40157		COVER G 4500 2V.	1,00	05/2008		--
0004		MPVR46563		COVER G 4500	1,00		04/2008	--
0005		MPVR46572		SPACER P 330 ST	1,00			--
0006		LCPR40007		TUBE 1/4 L=352 ZC. 2V.	1,00	05/2008		--
0006		LCPR46571		TUBE 1/4 L=352 ZC.	1,00		04/2008	--
0008		MPVR46569		PLATE G 4500 RD.	1,00			--
0009		MPVR40057		TRIGGER G 4500 -SW	1,00			--
0010		PVVR40030		SMALL PISTON TM ST-2300	1,00			--
0011		GUGO10384		O-RING D. 10 X 2.2 VIT 80SH	1,00			--
0012		RCVR13030		GUDGEON G 1/4 F L=31.5	1,00			--
0013		GUVR10526		ANTI-EXTR.RING D.13.9X10.2 C.BZ	1,00			--
0014		MPVR46570		PROTECTION P 330 ST	1,00			--
0015		PVVR13445		CONNECTION M 22X1,5 L=45	1,00			--
0016		MPVR40058		RING NUT G4500 SW.	1,00			--
0017		RCIN40001		JOINT SWIV 4500 3/8"F	1,00		04/2008	--
0017		RCIN40005		JOINT SWIV 4500 3/8"F 2V.	1,00	05/2008		--
0018		RCIN31641		CONNECTOR SWIV 1500 F	1,00			--
0019		KTRI31645		KIT P 26- 14	1,00			--
0021		PVVR40031		ROD ST-2300	1,00			--
0022		MPVR40156		SHELL G 4500 2V.	1,00	05/2008		--
0022		MPVR46562		SHELL G 4500	1,00		04/2008	--
0023		PVVR40023		TUBE G 1/4" M/M P/SW.	1,00			--
0024		GUGO27021		O-RING D. 11 X 2.5 EPD 70SH	1,00	05/2008		--

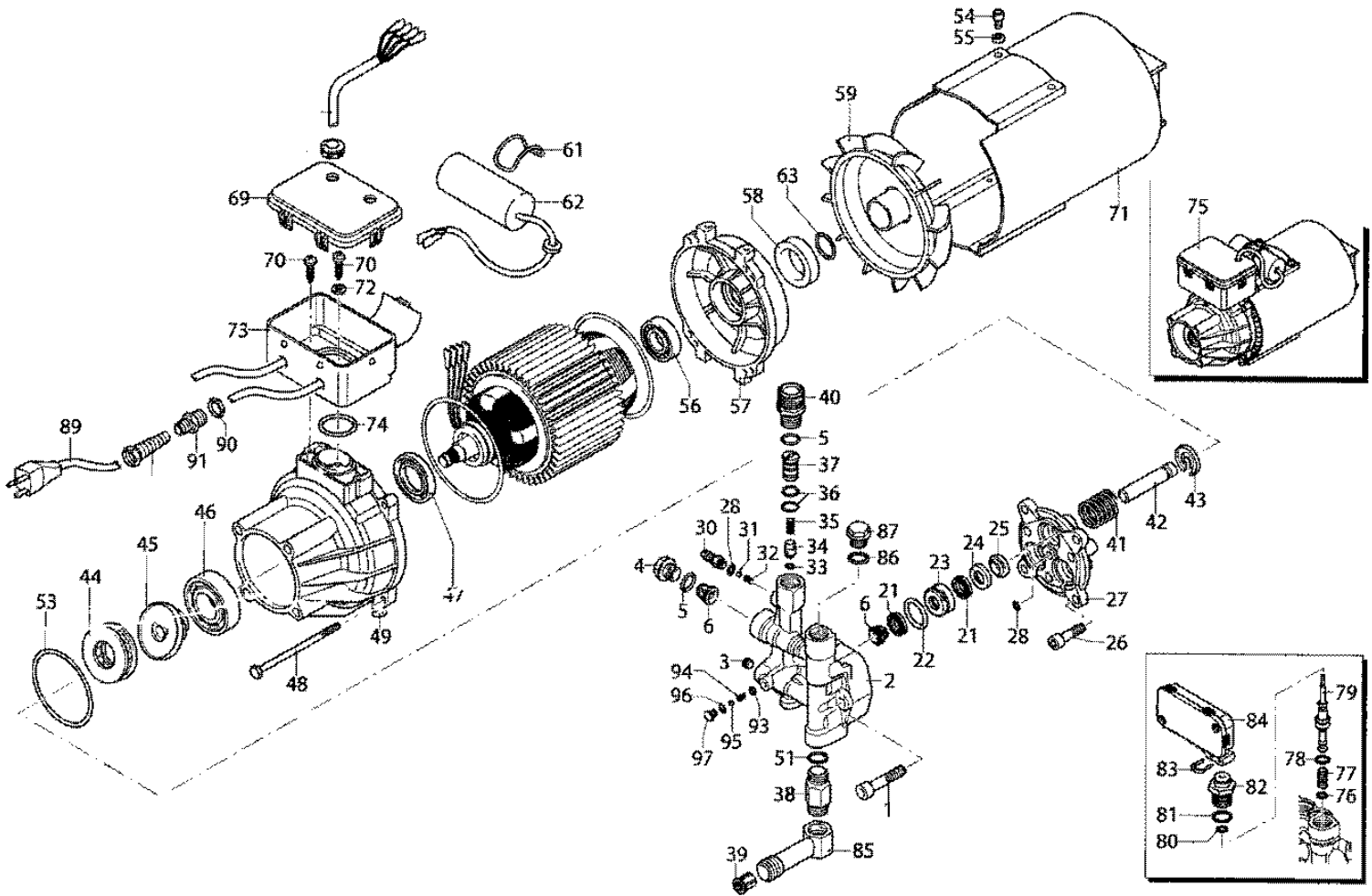




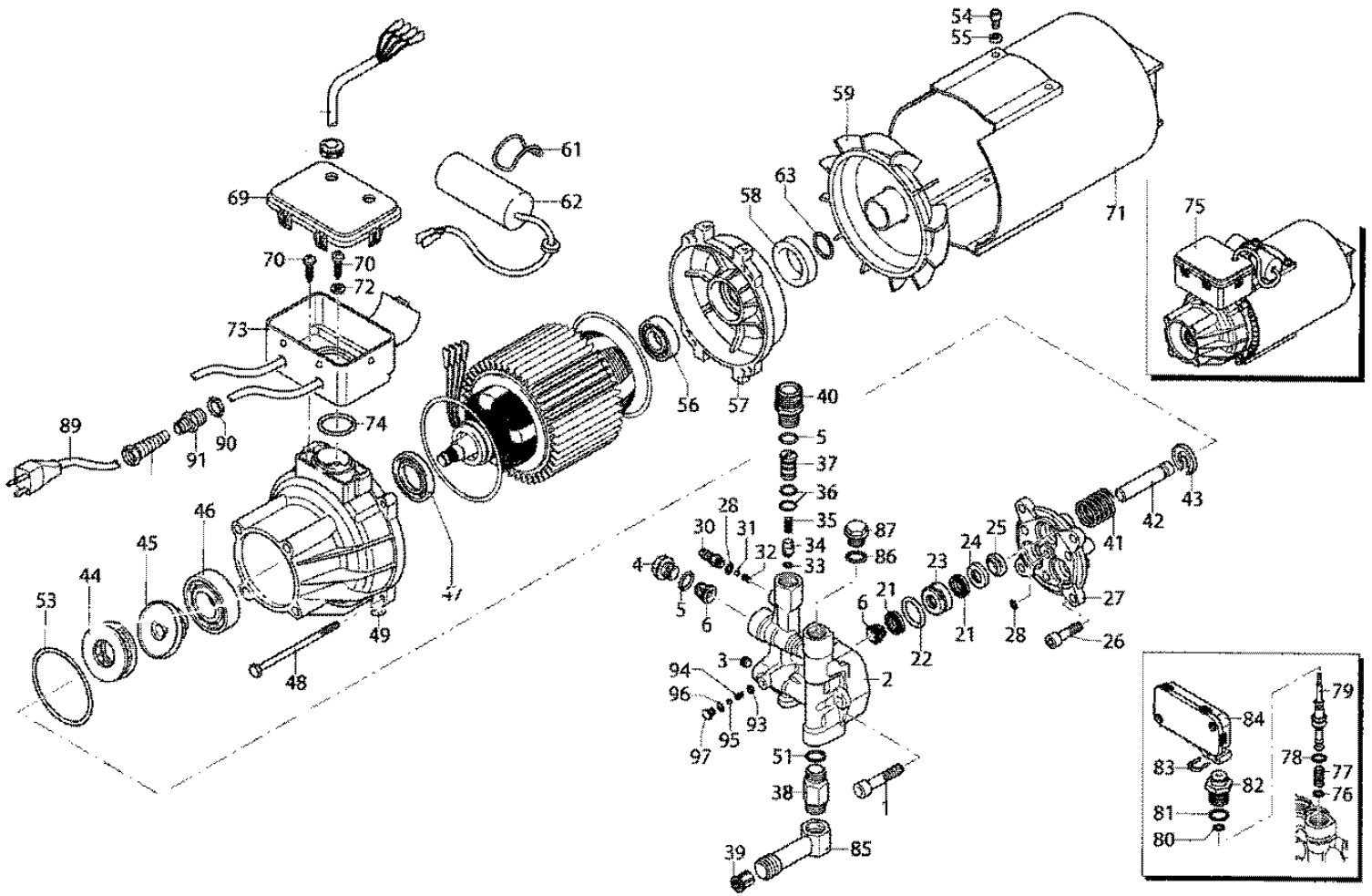
Ref. K	Part N.	Customer Part N.	Description	Qty	Validity:		Price
					From	To	
0001	MPVR45059		CAP I.JET	1,00			--
0002	SFVR45060		BALL D. 1/ 4" AISI 420	2,00			--
0003	PVVR45061		BODY I.JET	1,00			--
0004	GUGO01058		O-RING D. 17.17 X 1.78 NBR 70SH	1,00			--
0005	PVVR45062		CIRCLIP I.JET	1,00			--
0006	PVVR45063		NUT I.JET	1,00			--
0007	GUGO03505		O-RING D. 15.6 X 1.78 NBR 70SH	1,00			--
0008	PVVR45064		PIN I.JET 1/4F	1,00			--
0009	PVVR45065		GUIDE BLADE I.JET	1,00			--
0010	PVVR45066		RING I.JET	1,00			--
0011	GUGO31501		O-RING D. 7.60 X 2.62 VIT 70SH	2,00			--
0012	LAFN45067		PLUG "U" I.JET	1,00			--
0013	UGLN44394		NOZZLE M4 D. 1.15	1,00			--



Ref.	K	Part N.	Customer Part N.	Description	Qty	Validity: From To	Price
0001		VTVT13575		SCREW TCEI 8X40 UNI5931	3,00		--
0002		MFVR40015		HEAD AR HRM OT.	1,00		--
0003		PVVR40086		CAP EI G 1/4 HRM	1,00		--
0004		PVVR40087		CAP AR HRM	3,00		--
0005		GUGO09720		O-RING D. 14 X 1.78 NBR 70SH	4,00		--
0006	S	VVAM40001		VALVE UNIT HRM	6,00		--
0021	S	GUVR40030		PACKING D. 12 HRM	6,00		--
0022		GUGO08182		O-RING D. 21.91 X 1.78 NBR 70SH	3,00		--
0023		PVVR40088		PACKING RETAIN.D. 12 HRM	3,00		--
0024		PVVR40089		INTERMED. RING D. 12 HRM	3,00		--
0025	S	GUGO40010		OIL SEAL D. 12 HRM	3,00		--
0026		VTVT01573		SCREW TCEI 8X25 UNI5931	4,00		--
0027		PVVR40090		PISTON FLANGE HRM	1,00		--
0028		GUGO08071		O-RING D. 4.48 X 1.78 NBR 70SH	2,00		--
0030		PVVR40073		VALVE SEAT 1/8M +PG. D.7 AR	1,00		--
0031		SFVR04274		BALL D. 7/32	1,00		--
0032		MLML40008		SPRING D. 4	1,00		--
0033		GUGO12494		O-RING D. 4 X 2.5 -NBR 70SH	1,00		--
0034		PVVR40091		COUPLING AR HRM	1,00		--
0035		MLML32257		SPRING D. 6.5 X14 D.0.5	1,00		--
0036		GUGO63403		O-RING D. 8.73 X 1.78 NBR 70SH	2,00		--
0037		UGEI40004		NOZZLE D. 1.6 HRM	1,00		--
0038		RCDS40060		NIPPLE G 3/4NH HRM	1,00		--
0039		FTAC30214		FILTER D.15X67	1,00		--
0040		PVVR40092		CONNECTOR AR HRM	1,00		--
0041		MLML40010		SPRING AR HRM	3,00		--
0042	S	PIVR40004		PISTON D.12 HRM	3,00		--
0043		PVVR40093		RING D.12 HRM	3,00		--
0044		CUVR40006		BEARING AR HRM	1,00		--
0045		PVVR40095		CAP HRM 1.8	1,00		--
0046		CUVR28336		BALL BEARING 6304	1,00		--
0047	S	GUGO01002		OIL SEAL 25X 42X 7 NBR70	1,00		--
0048		VTVT40017		SCREW TE M 5X 90 UNI5739 ZC	4,00		--
0049		MFVR40016		PUMP CRANKCASE AR HRM	1,00		--
0051		GUGO01036		O-RING D. 10.82 X 1.78 NBR 70SH	1,00		--
0053		GUGO02257		O-RING D. 68.41 X 2.62 NBR 70SH	1,00		--
0054		VTVT09914		SCREW TCB-TC 5X16 ZC	2,00		--
0055		VTRS00502		WASHER D. 5 0.466 UNI 6592	2,00		--
0056		CUVR40007		BALL BEARING 6203 2Z	1,00		--



Ref. K	Part N.	Customer Part N.	Description	Qty	Validity:		Price
					From	To	
0057	MFVR40017		SHIELD H 80 HRM AR	1,00			--
0058	GUGO40011		OIL SEAL HRM	3,00			--
0059	VEVR40004		MOTOR FAN AR HRM	1,00			--
0061	GUGO09030		O-RING 56X82 X2.62 - NBR	1,00			--
0062	MECO40001		CAPACITOR 80 MF	1,00			--
0063	GUGO11652		O-RING D. 12.42 X 1.78 NBR 70SH	1,00			--
0069	MPVR40168		BOX COVER AR HRM	1,00			--
0070	VTVT87974		SCREW AF 4X 12 UNI 6954-71 ZN.N	3,00			--
0071	MPVR40169		CONVEYOR AR HRM	1,00			--
0072	VTRS00501		WASHER D. 4 0.232 UNI 6592	1,00			--
0073	MPVR40170		CONTROL BOX AR HRM	1,00			--
0074	GUGO31518		O-RING D. 31.42 X 2.62 NBR 70SH	1,00			--
0075	MOMO40010		1PH MOTOR HRM HP 1.5 120-60	1,00			--
0076	GUGO06988		O-RING D. 7.66 X 1.78 NBR 70SH	1,00			--
0077	MLML40011		SPRING D. 8 TSS	1,00			--
0078	GUGO01036		O-RING D. 10.82 X 1.78 NBR 70SH	1,00			--
0079	PVVR40096		CONTROL PISTON AR TSS	1,00			--
0080	GUGO01062		O-RING D. 3.69 X 1.78 NBR 70SH	1,00			--
0081	GUGO09720		O-RING D. 14 X 1.78 NBR 70SH	1,00			--
0082	PVVR40097		PISTON GUIDE AR TSS	1,00			--
0083	LAFN40212		PLUG "U" AR TSS	1,00			--
0084	MEPF40006		PRESSURE SWITCHAR TSS 120V N.A.	1,00			--
0085	PVVR40098		INTAKE CONNECT.AR HRM	1,00			--
0086	GUGO09720		O-RING D. 14 X 1.78 NBR 70SH	1,00			--
0087	PVVR40099		CAP 3/8 M HRM	1,00			--
0089	MECB40104		CABLE +S GFCI HRM	1,00			--
0090	MEVR87376		LOCKNUT PG 13	1,00			--
0091	MEVR61879		FAIR-LEAD PG 13.5 SP.	1,00			--
0093	PVVR40100		BALL SEAT D. 8 E-START HRM	1,00			--
0094	MLML40012		SPRING D. 7 X5.3 D.0.8 E.ST.	1,00			--
0095	SFVR40000		BALL D. 8 AISI 420	1,00			--
0096	VTRS00502		WASHER D. 5 0.466 UNI 6592	1,00			--
0097	PVVR40101		CAP M 5 E.START HRM	1,00			--



Ref. Part N.	Cust. Part N.	Description	Reference	Price
KTRI40079	KIT P	15-2233 HRM	0006	--
KTRI40080	KIT P	15-42437 HRM	0042	--
KTRI40081	KIT P	15-42124 HRM	0025 0047	--
KTRI40082	KIT P	15-2235 HRM D.12	0021	--