



IPC Integrated Professional Cleaning

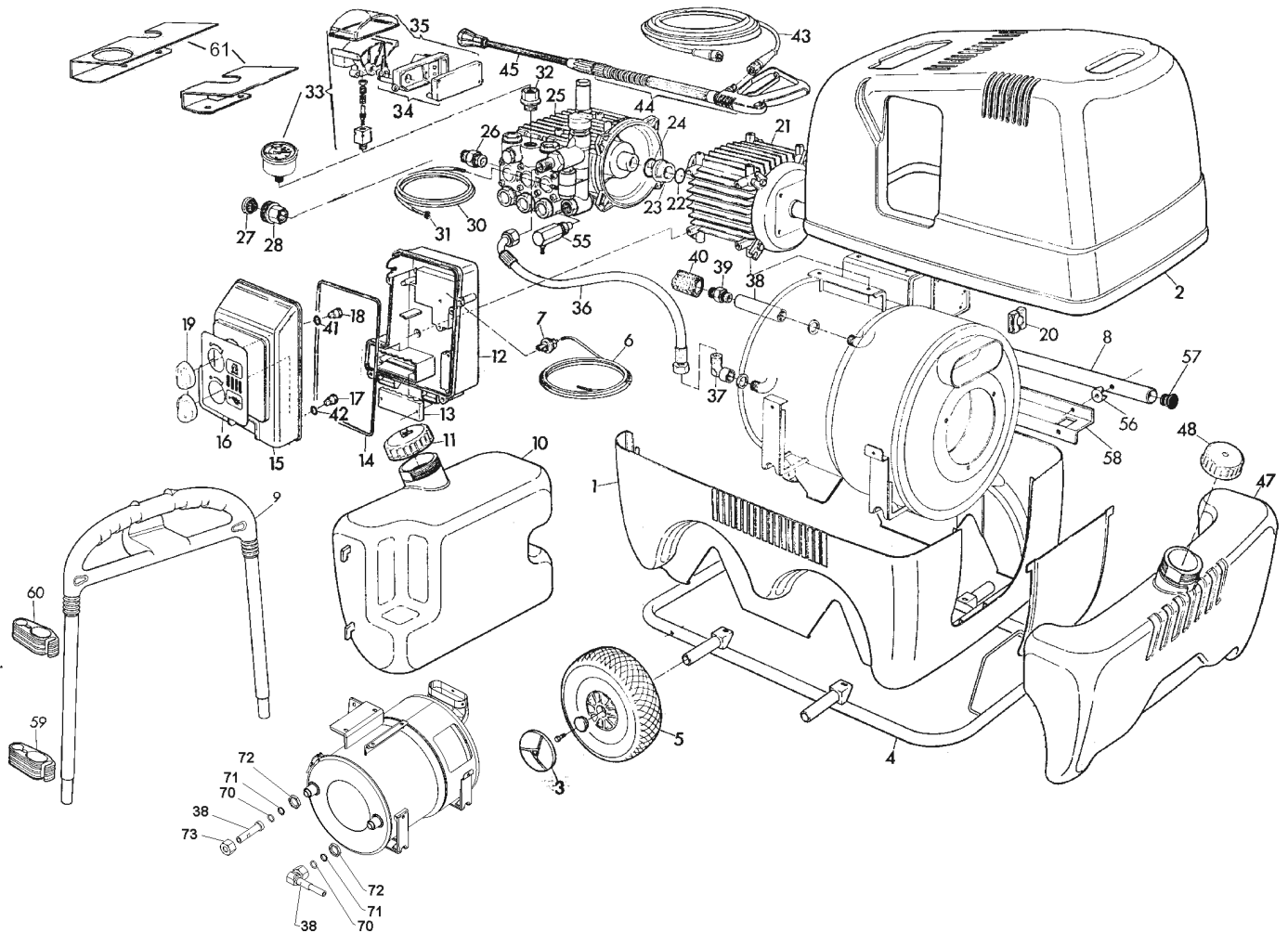
IPCPortotecnica

Spare Parts List

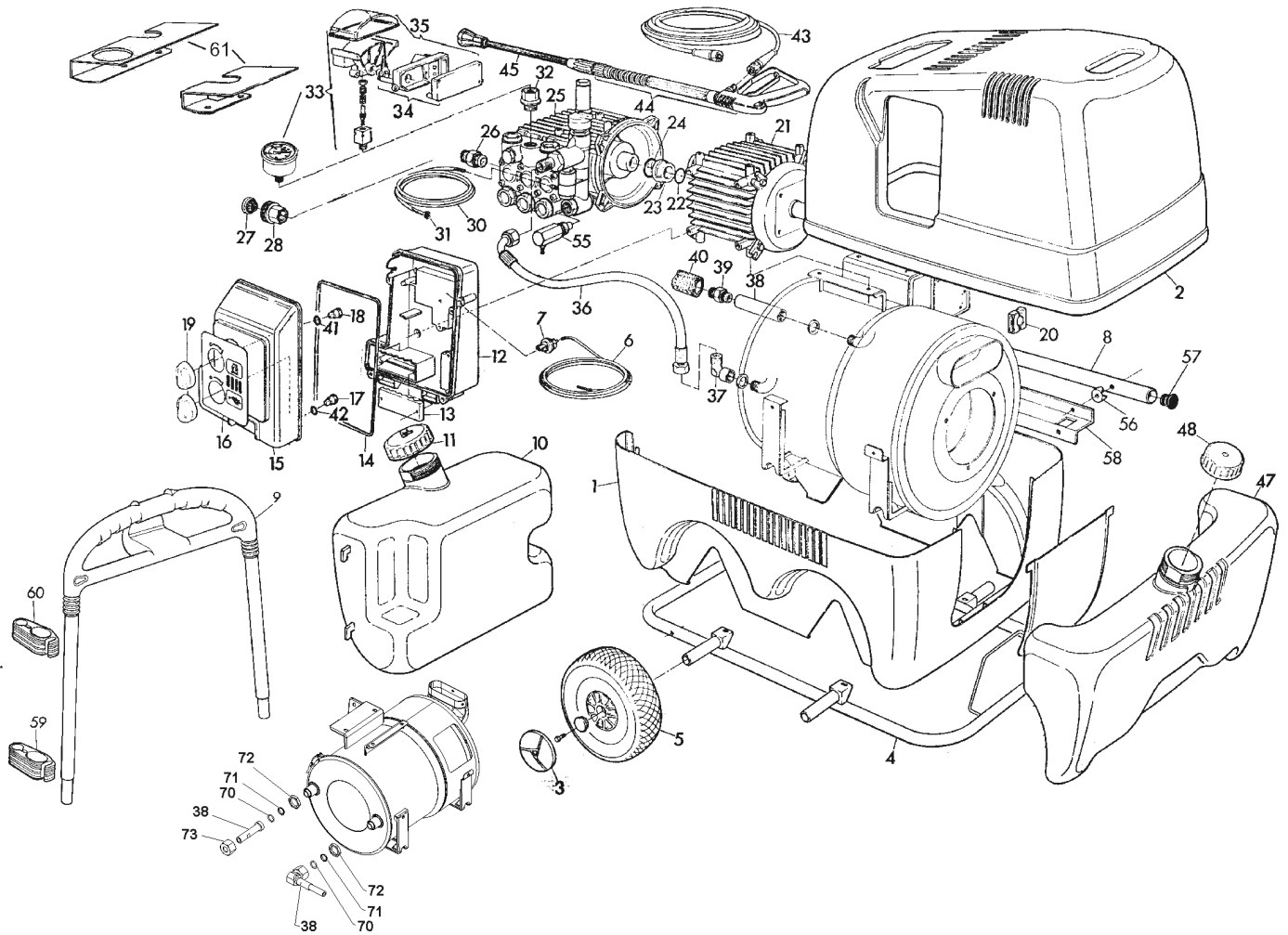
IPC EAGLE

Ref: IDAC42719

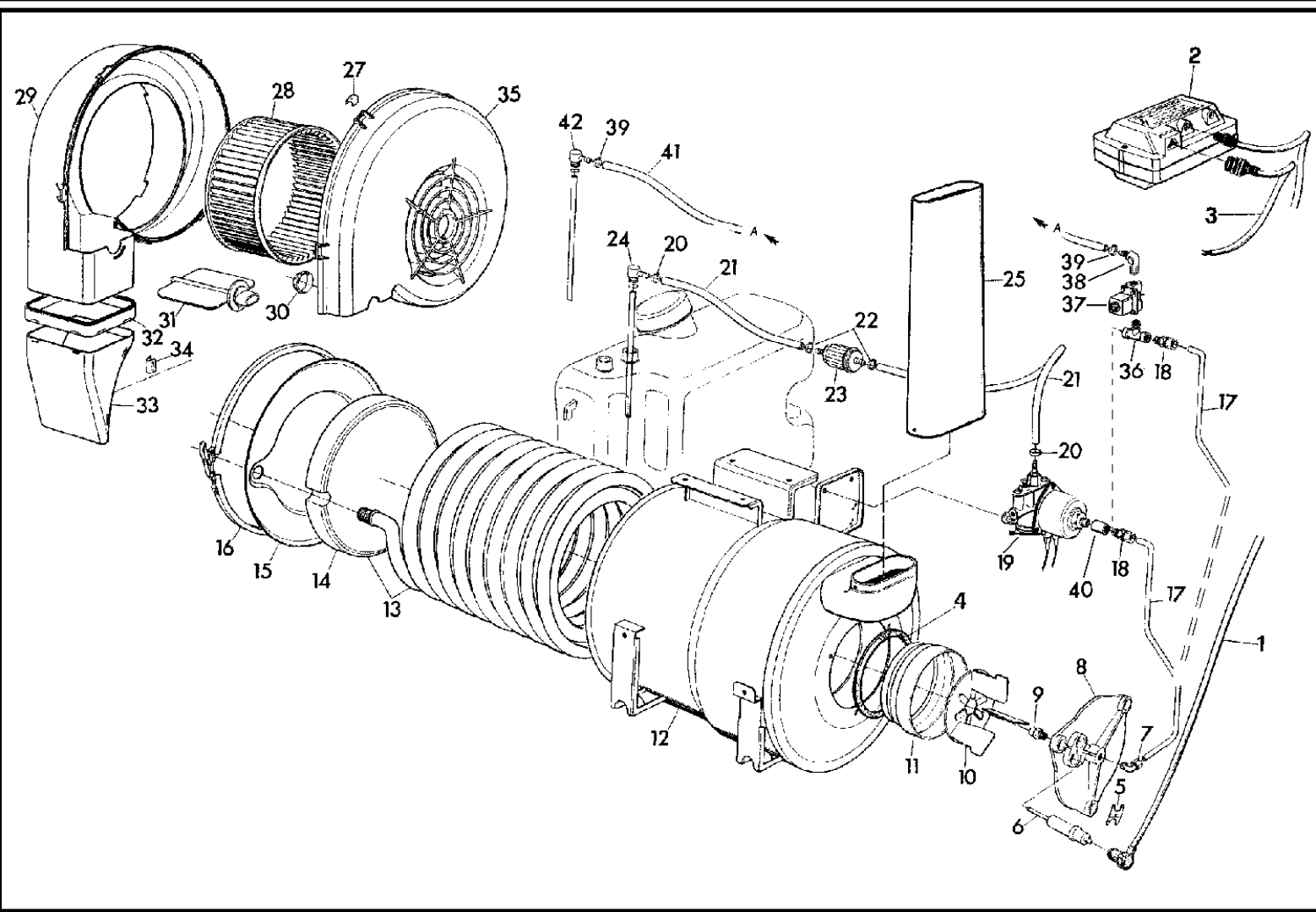
Model: IDROP MITHO PLS.II 1202 M 115/60 3-01P60



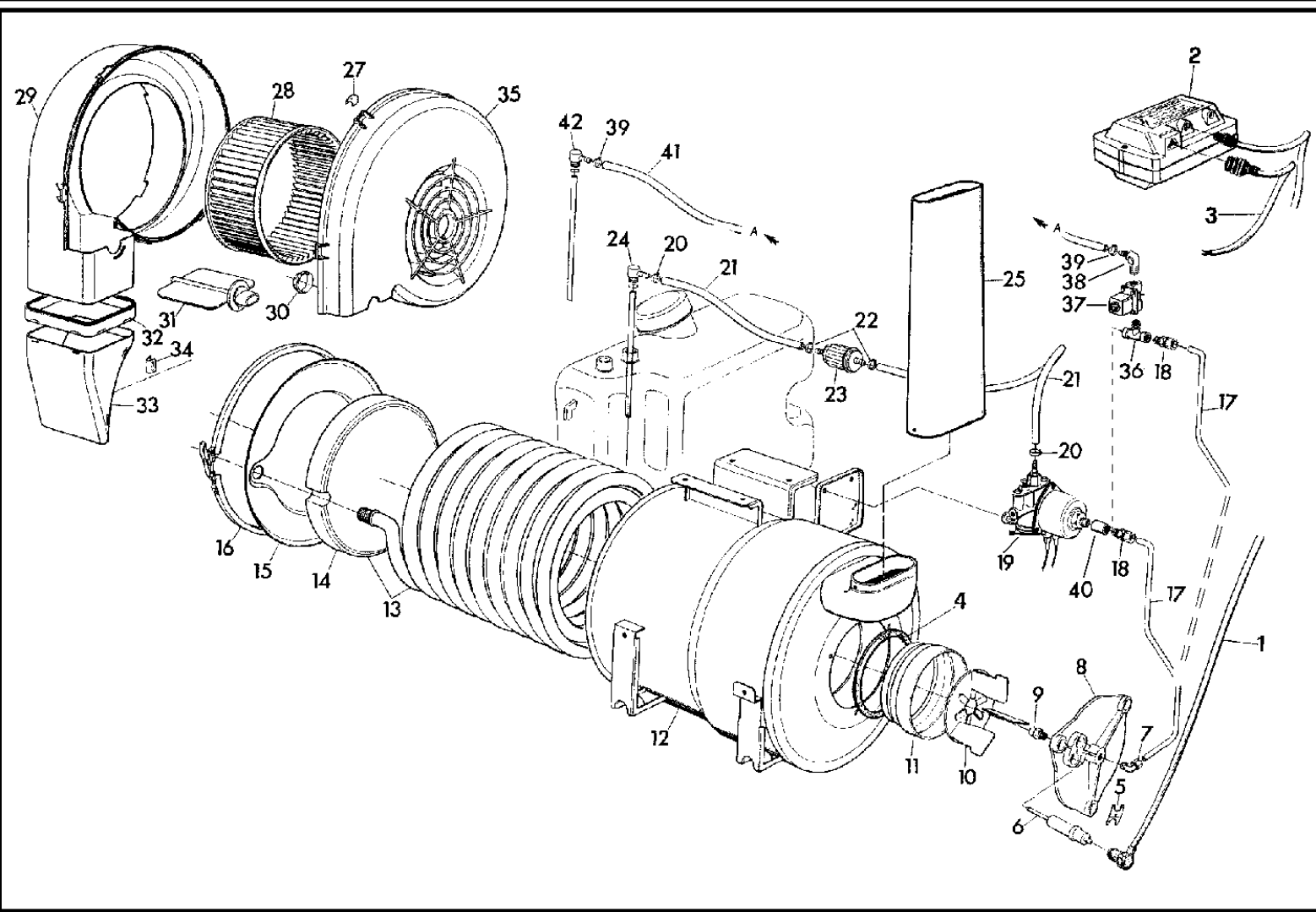
Ref. K	Part N.	Customer Part N.	Description	Qty	Validity:		Price
					From	To	
0001	MPVR36616		COVER MTH "TEAM" INF. PP	1,00			--
0002	MPVR30534		RED COVER MITHO SUP. TUV	1,00			--
0003	MPVR28995		GREY HUB CAP D. 110	4,00			--
0004	LAFN27426		TUBULAR FRAME MITHO PLUS	1,00			--
0005	RTRT30568		WHEEL D.210-D.20X 65 NYL	4,00			--
0006	TBBP00058		L.P. HOSE D. 4- 6	0,75		02/2008	--
0007	KTRI40034		KIT PX 3- 20 S.LUX MTH.100V	1,00	03/2008		--
0008	LAFN39011		SUPPORT MTH. DX	1,00			--
0008	LAFN39013		SUPPORT MTH. SX	1,00			--
0009	LAFN39655		HANDLE MTH.PL II	1,00			--
0010	MPVR26981		FUEL TANK MTH	1,00		02/2008	--
0010	MPVR40082		FUEL TANK MTH C/RT.GS PEHD	1,00	02/2008		--
0011	MPVR11192		TANK CAP FLL	1,00			--
0011	MPVR28928		TANK CAP MTH CPL.	1,00		02/2008	--
0012	MPVR40098		CONTROL BOX MITHO C/F.CD+EV. PA BK.	1,00	10/2008		--
0013	MPVR27097		CABLE CLAMP COVMTH	1,00			--
0014	GUGO11309		JOINT MOUSSE D. 3	1,00			--
0015	MPVR27096		BOX COVER MITHO T	1,00			--
0016	ETET27491		LABEL MITHO T PVC R	1,00			--
0017	MPVR23482		TAIL PIECE TEC. TUV	1,00			--
0018	MPVR10083		TAIL PIECE OKA L=22	1,00			--
0019	MPVR25533		GREY KNOB PRT-AC	2,00	07/1996		--
0020	MEVR20906		CABLE FASTNER KSM	1,00			--
0021	MOMO27395		1PH MOTOR MTH HP1,7 110-60 2P H80IP	1,00			--
0022	GUGO21637		O-RING D. 23.81 X 2.62 VIT 70SH	1,00			--
0023	RCDS21487		BUSHING IP WW NYL	1,00			--
0024	GUGO21339		O-RING D. 29.82 X 2.62 VIT 70SH	1,00			--
0025	PPAP41905		PUMP FORM. C T.INT.ALL.1.6 INX	1,00			--
0026	RCDS27659		NIPPLE 1/2 - 3/8 L=55	1,00			--
0027	FTDT12702		FILTER PA	1,00	10/1996		--
0028	PVVR11712		RING NUT 1/2 NPT	1,00	12/1999		--
0030	TBBP04917		L.P. HOSE D. 6- 9	1,20			--
0031	FTDT04648		FILTER PG. D.6 PLS	1,00			--
0032	RCDS12676		CAP M24X1,5 + 1/4F WW90-93	1,00		06/2006	--
0032	RCDS40004		CAP M24X1,5 + 1/8F WW90-93	1,00	07/2006		--
0033	MNMN27461		PRESSURE GAUGE 0-160 PRT	1,00		06/2006	--
0033	MNMN37538		PRESSURE GAUGE 0-160 G1/8M "R" D.40	1,00	07/2006		--
0034	MEPF27462		PRESSURE SWITCHPRT MTH	1,00		06/2006	--
0035	MNMN27432		PRESS.GAUGE/SW.PRT MTH	1,00		06/2006	--



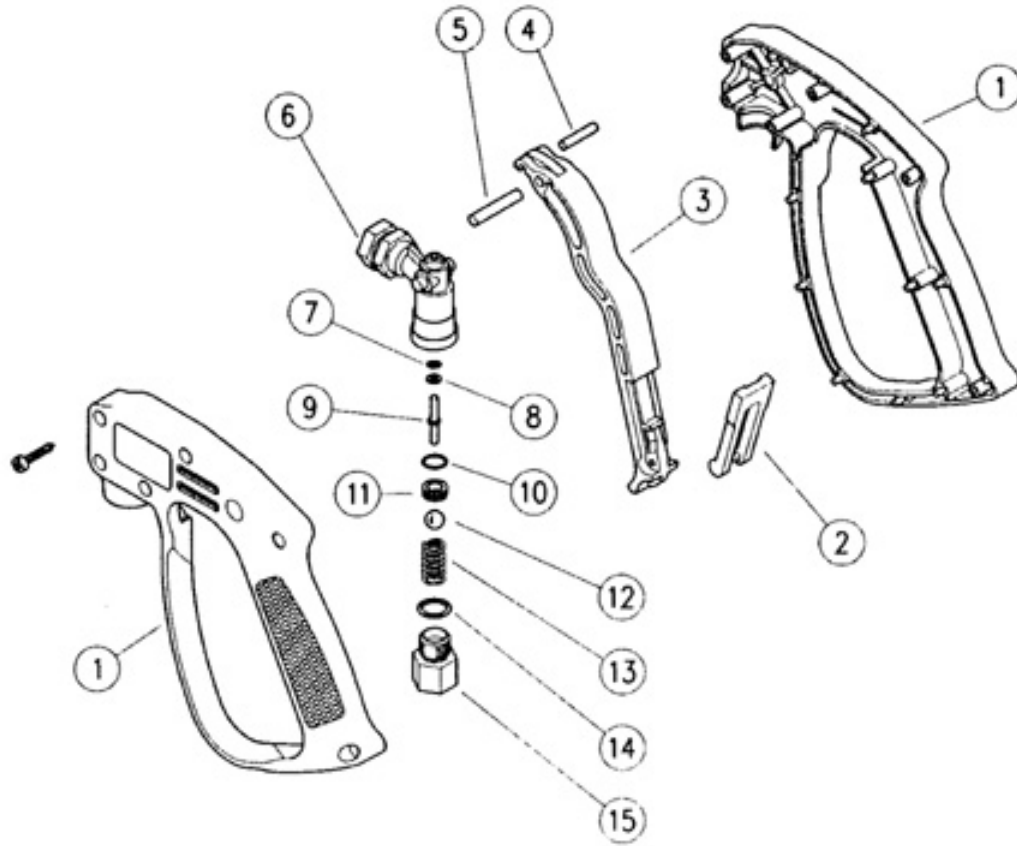
Ref. K	Part N.	Customer Part N.	Description	Qty	Validity:		Price
					From	To	
0036	TBAP27463		HOSE-FITTING 5/16 R1 3/8F90°-3/8F 0°	1,00		09/2008	--
0036	TBAP40023		HOSE-FITTING 3/8 R1 L=320 3/8F90-PM26	1,00	09/2008		--
0037	RCVR00574		ELBOW 3/8" M/F A10	1,00		09/2008	--
0038	LAFN27460		TUBE D. 22 X 1.5 L=100	1,00		09/2008	--
0038	RCDS40029		CONNECTOR MTH 2V. ZC	1,00	09/2008		--
0039	RCIN03753		MALE COUPLING M22-3/8 M-FA	1,00	09/2008		--
0040	MPLV27860		TUBE ISOTHERM D. 22 SP. 6	0,12			--
0041	GUGO23079		V-SEAL RING VA0014 13.5- 15.5	1,00			--
0042	GUGO25527		O-RING D. 14 X 3 NBR 70SH	1,00			--
0043	TBAP20264		H.P. HOSE SAE MT 8 D.6 IRV F - 1/4F	1,00			--
0044	IPPR40669		GRIP RL 20 - P 300 - 1/4M	1,00	05/1999	04/2001	--
0044	IPPR43857		GRIP G 2100 +PR.320 +1/4 M HBY	1,00	04/2001		--
0045	LCPR38365		EXTENSION P 220 - HL 1.35 RsC	1,00	12/1999	05/2001	--
0045	LCPR43861		EXTENSION P 330 - I.JET D.1.15 RS	1,00	06/2001		--
0047	MPVR27424		DETERGENT TANK MITHO PLUS	1,00			--
0048	MPVR27781		TANK CAP MTH D.10	1,00			--
0055	VVSC40550		VALVE 1/2" 56°C	1,00			--
0056	MPVR31732		SPACER D. 25- 7 NYL	4,00	06/1998		--
0057	MPVR01695		PROD D.22 1.02.106	2,00			--
0058	LAFN36487		BRACKET MTH "TEAM" SX	1,00			--
0058	LAFN36488		BRACKET MTH "TEAM" DX	1,00			--
0059	MPVR39110		LANCE REST MTH.PL PP	2,00	10/1996		--
0060	MPVR37391		LANCE REST PRM-DV PP	2,00	10/1996		--
0061	LAFN39015		PLATE MTH.PL.	1,00		06/2006	--
0061	LAFN40001		PLATE MTH.PL. 2V.	1,00	07/2006		--
0062	MEVR27264		FUSE-HOLDER 031-1081	1,00			--
0070	GUGO21222		O-RING D. 15.54 X 2.62 VIT 80SH	2,00	09/2008		--
0071	GUVR21021		ANTI-EXTR.RING D. 21 X17 TEF.	2,00	09/2008		--
0072	RCDS21120		RING NUT M 26 X 1,5	2,00	09/2008		--
0073	RCDS21119		NUT KSM	1,00	09/2008		--



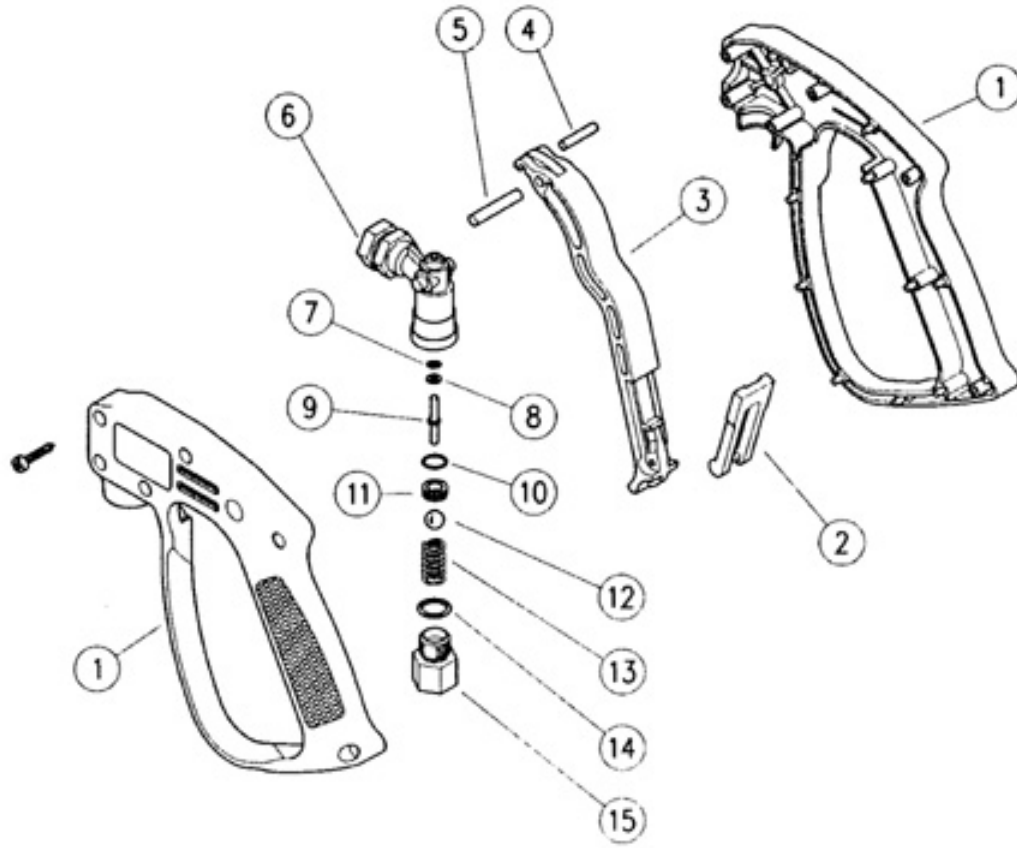
Ref. K	Part N.	Customer Part N.	Description	Qty	Validity: From	To	Price
0001	MECV35335		CABLE A.T. 9.8-23KOHM/M L= 500P	2,00	02/2008		--
0003	MECB34463		CABLE BT L=800 SP.	1,00			--
0004	GUVR25775		GASKET D. 105/88 X 3	1,00			--
0005	LAFN20123		PLATE KSM INX	1,00	12/2007		--
0006	MECA18232		ELECTRODE L=101.5 KSM	2,00	12/2007		--
0007	RCVR08954		ELBOW 1/8"-4 B5	1,00	12/2007		--
0008	MFVR19964		ELECTR.HOLDER KSM	1,00	12/2007	01/2005	--
0008	MFVR88612		ELECTR.HOLDER KSM 1/8CN.	1,00	12/2007		--
0009	UGBR28863		BURNER NOZZLE 0.50 60 S	1,00		11/2007	--
0009	UGBR47249		BURNER NOZZLE 0.50 60 S LE	1,00	12/2007		--
0010	LAFN20120		BAFFLE MTH	1,00			--
0011	LAFN20055		NOSEPIECE KSM	1,00			--
0012	LAFN27206		BOILER BODY MTH	1,00	09/2008		--
0013	LAFN27794		DOUBLE COIL 3/8 MTH 18.5MT C/RF	1,00		09/2008	--
0013	LAFN40118		DOUBLE COIL M26X1.5 MTH 18.5M RF.	1,00	09/2008		--
0014	LAFN26524		BOTTOM F.CER. MTH	1,00	09/2008		--
0014	LAFN26524		BOTTOM F.CER. MTH	1,00		09/2008	--
0015	LAFN27359		BOILER BOTTOM MTH	1,00		09/2008	--
0015	LAFN87769		BOILER BOTTOM P191	1,00	09/2008		--
0016	LAFN27418		RING D.278 MTH	1,00	09/2008		--
0016	LAFN27418		RING D.278 MTH	1,00		09/2008	--
0017	TBCO27431		DIESEL HOSE D. 4 MTH	1,00			--
0018	RCVR14014		BI-CONE CONNEC.DTT 1/8"M B1 D. 2/ 4 NIK	1,00	10/2008		--
0019	PPGS30569		CARRYNG BAG	1,00		03/2007	--
0019	PPGS89191		FUEL PUMP VSC63 A5H 100V 1.25GH	1,00	10/2008		--
0019	PPGS89231		FUEL PUMP VSC63 A5H 100V 0.75GH 15B	1,00	03/2007	09/2008	--
0020	FSVR15255		CLAMP D. 8-12	2,00			--
0021	TBCO06945		L.P. HOSE D. 6-12 10BAR C.PRESS	0,13			--
0022	FSVR11197		CLAMP D.I. 11 13315	2,00			--
0023	FTCO10912		FILTER FB 13/TA NYL.	1,00			--
0024	RCDS22615		SUCTION L= 220	1,00		05/2008	--
0024	RCDS40027		SUCTION L= 220 -2 O-RING	1,00	05/2008		--
0025	LAFN28047		CHIMNEY EXTENS.MTH SUP.	1,00			--
0027	VTVR20127		CLIP KSM	5,00			--
0028	VEVR20128		IMPELLER KSM D.140 29P. PA66	1,00			--
0029	MPVR20125		SCROLL BODY KSM PP	1,00			--
0030	LAFN21890		BUSHING D. 25	1,00			--
0031	MPVR20129		BUTTERFLY VALVEKSM PP	1,00			--
0032	GUGO20124		GASKET KSM	1,00			--



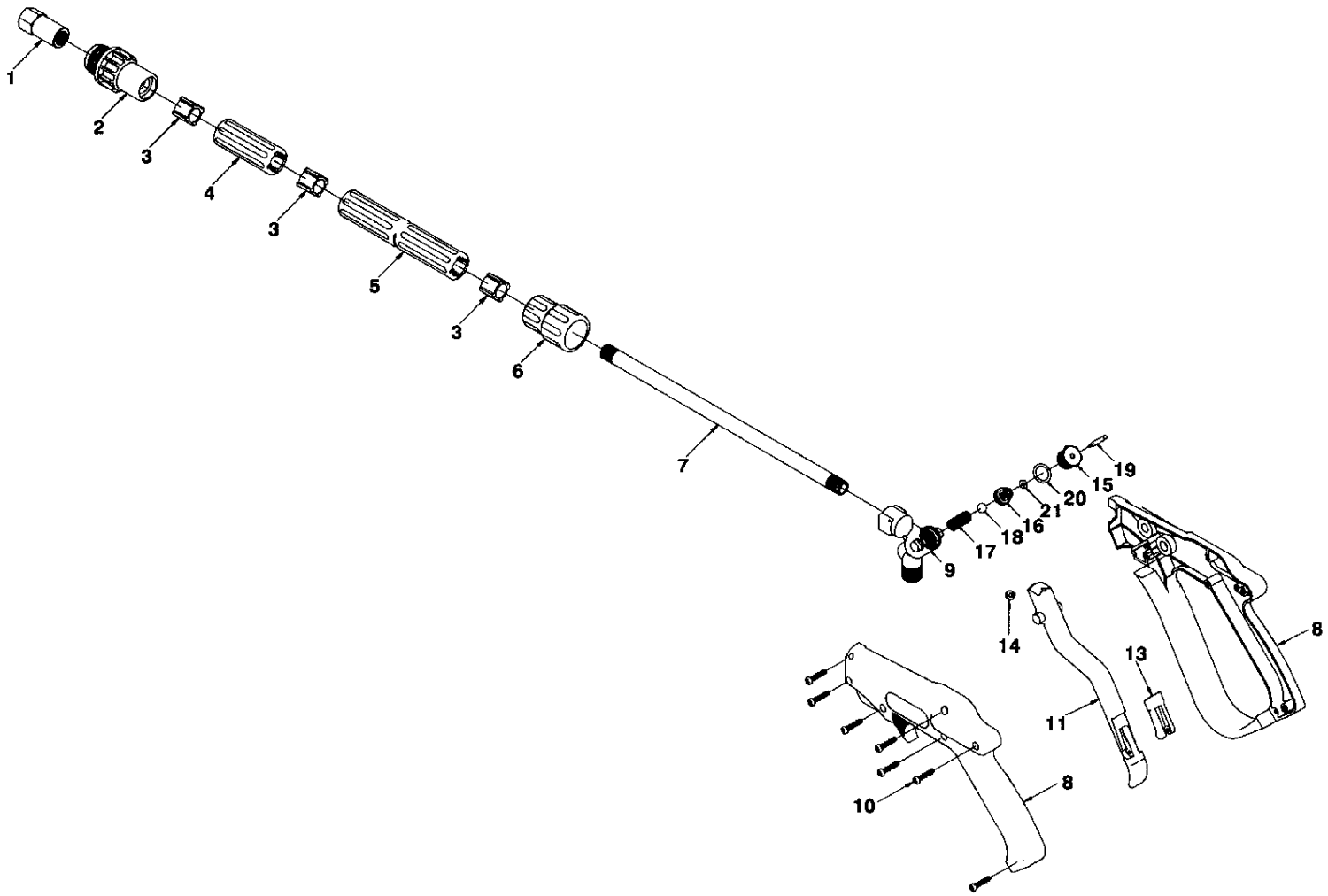
Ref. K	Part N.	Customer Part N.	Description	Qty	Validity:		Price
					From	To	
0033	MPVR28287		CONVEYOR MTH	1,00			--
0034	MPVR21415		CLIP KSM	2,00			--
0035	MPVR27413		VENTILATOR COV.MTH	1,00			--
0036	RCVR41931		CONNECTOR T 1/8 F/MF A12 NIK	1,00	10/2008		--
0038	RCVR89548		HOSE FITTING "L" 1/8M D.7 NK	1,00	10/2008		--
0039	FSVR72803		CLAMP D 9.3 - 9.9	2,00	02/2008		--
0040	RCVR89164		SLEEVE 1/8 M/F A5	1,00	10/2008		--
0041	TBBP48098		TUBE PVC D. 5 -9 GREEN	0,42	02/2008		--
0042	GUGO28327		O-RING D. 7.51 X 3.53 NBR 70SH	2,00	05/2008		--
0042	RCDS20137		SUCTION BODY KSM	1,00	02/2008		--



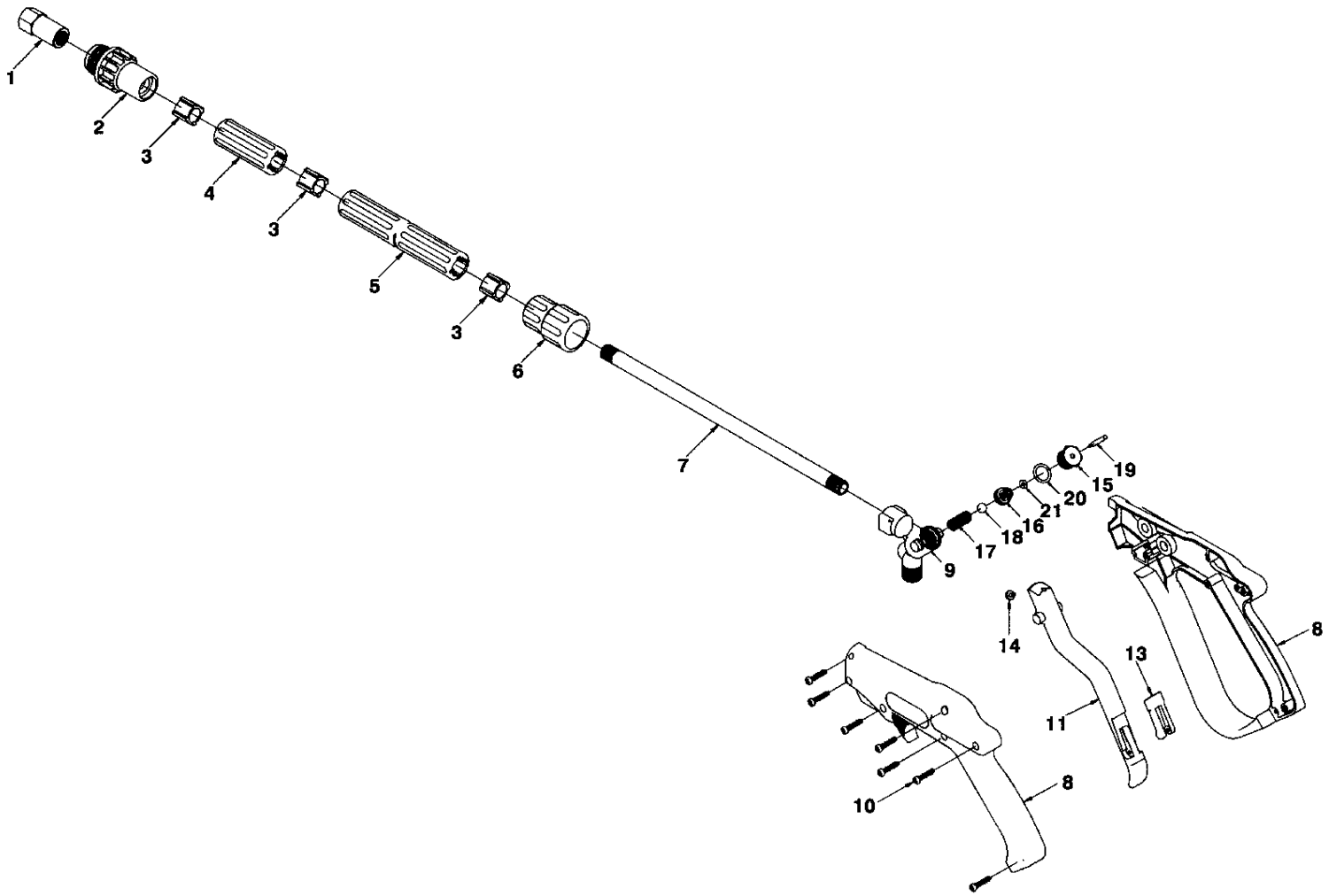
Ref. K	Part N.	Customer Part N.	Description	Qty	Validity: From	To	Price
0001	MPVR41687		LANCE SHELL RL20 2PZ.	1,00			--
0002	MPVR38722		SAFETY-DEVICE RL25	1,00			--
0003	MPVR41688		TRIGGER RL20	1,00			--
0004	VTVR41689		PLUG D. 4X16 INX	1,00			--
0005	VTVR21843		PLUG D.5X24.5	1,00			--
0006	PVVR41690		GUN BODY RL20 G1/4	1,00			--
0007	S GUVR27719		ANTI-EXTR.RING D. 3.2X 6 X1.5	1,00			--
0008	S GUGO19189		O-RING D. 2.90 X 1.78 NBR 70SH	1,00			--
0009	S PVVR41691		SMALL PISTON RL20	1,00			--
0010	S GUGO41692		O-RING D. 9 X 1 NBR 70SH	1,00			--
0011	S PVVR41693		BALL SEAT D.6 RL20 + OR	1,00			--
0012	S SFVR28581		BALL D. 5/16" P 3	1,00			--
0013	MLML41694		SPRING D. 6 RL 20	1,00			--
0014	S GUGO01036		O-RING D. 10.82 X 1.78 NBR 70SH	1,00			--
0015	RCDS42023		NIPPLE G 1/4 -G1/4 RL 20	1,00			--



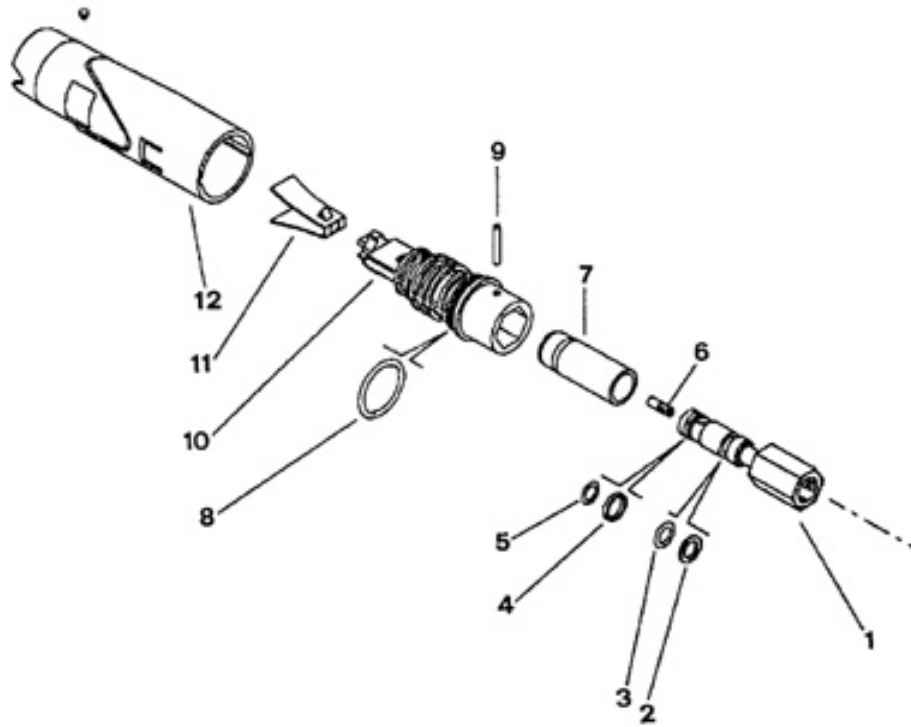
Ref. Part N.	Cust. Part N.	Description	Reference	Price
KTRI41695	KIT P	26- 16	0007 0008 0009 0010 0011 0012 0014	--



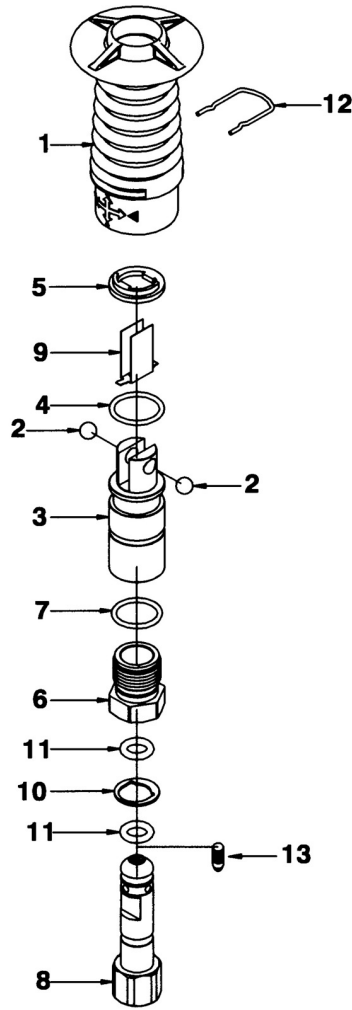
Ref. K	Part N.	Customer Part N.	Description	Qty	Validity:		Price
					From	To	
0001	RCIN45040		FEMALE COUPLIN.P320 OT	1,00			--
0002	MPVR45041		PROTECTION M27X2 M MV	1,00			--
0003	MPVR45042		BUSHING D.13 MV	3,00			--
0004	MPVR45043		SPACER P 320 MV	1,00			--
0005	MPVR45044		PROTECTION P 320 MV	1,00			--
0006	MPVR45045		PROTECTION P 320 MV	1,00			--
0007	PVVR45048		TUBE G 1/4 MV L=291 ZB FESS	1,00			--
0008	MPVR45049		SHELL G2100 PRT	1,00			--
0009	PVVR45054		GUN BODY G 2100 G1/4	1,00			--
0010	VTVT62984		SCREW TC-CR M 4.2 X19 ZN	7,00			--
0011	MPVR45050		TRIGGER G 2100 MV	1,00			--
0014	PVVR45053		PAWL G 2100 INX	1,00			--
0015	PVVR45055		CAP M14X1 MV870 +AE.RING	1,00			--
0016	PVVR45056		BUSHING MV860 INX +O-RING	1,00			--
0017	S MLML45057		SPRING D. 7 MV870	1,00			--
0018	S SFVR12904		BALL D. 9/32 W1 INX	1,00			--
0019	S PVVR45058		SMALL PISTON MV 832 INX	1,00			--
0020	S GUGO19194		O-RING D. 11.11 X 1.78 NBR 70SH	1,00			--
0021	S GUGO19189		O-RING D. 2.90 X 1.78 NBR 70SH	1,00			--



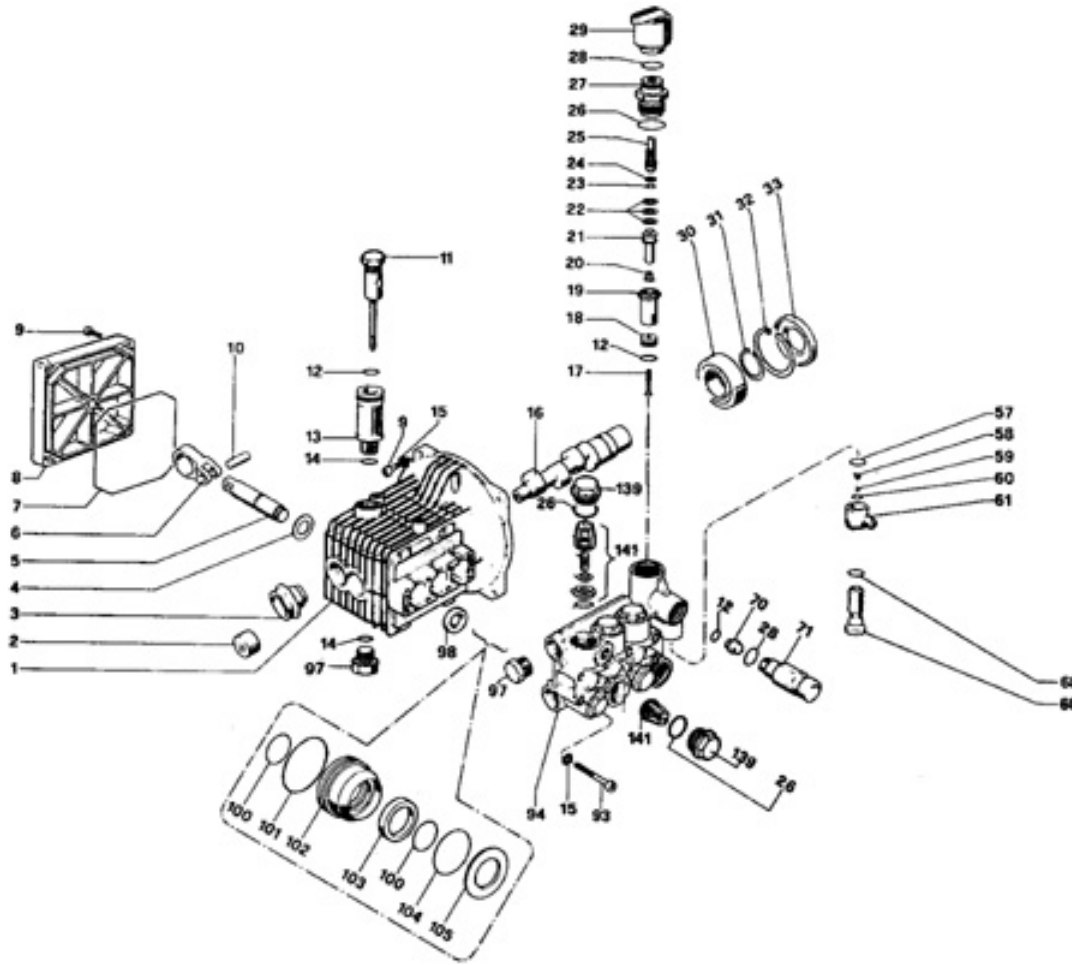
Ref. Part N.	Cust. Part N.	Description	Reference	Price
KTRI45068		KIT P 26- 19 G 2100	0017 0018 0019 0020 0021	--



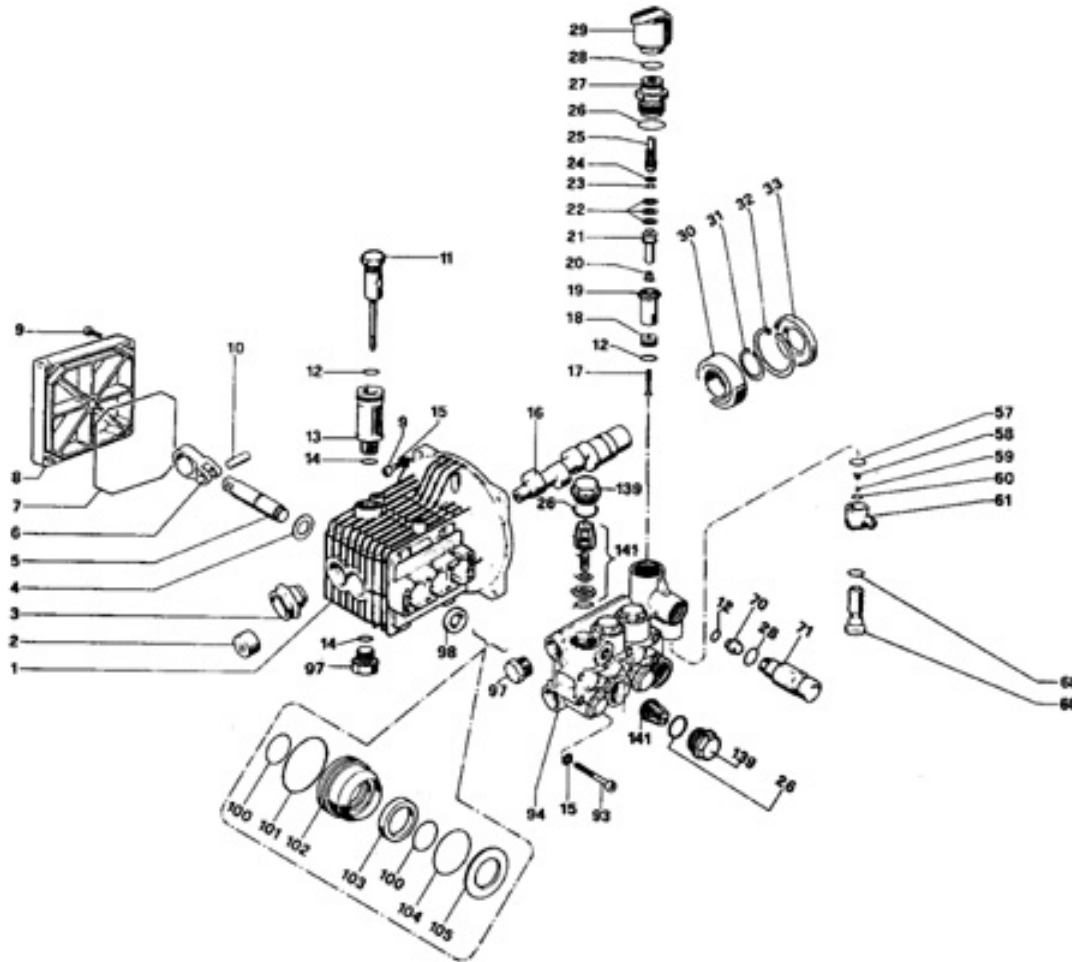
Ref. K	Part N.	Customer Part N.	Description	Qty	Validity:		Price
					From	To	
0001	PVVR38731		PIN HL250 1/4F	1,00			--
0002	GUVR38728		ANTI-EXTR.RING D. 8 X12	1,00			--
0003	GUGO48372		O-RING D. 7.3 X 2.4 NBR 70SH	1,00			--
0004	PVVR38729		RING D. 10.2	1,00			--
0005	GUGO03500		O-RING D. 6.75 X 1.78 NBR 70SH	1,00			--
0006	UGLN38695		NOZZLE M4 D. 1.35	1,00			--
0007	PVVR38733		CASE HL250	1,00			--
0008	GUGO08182		O-RING D. 21.91 X 1.78 NBR 70SH	1,00			--
0009	VTVR38730		PLUG D. 3X23 HL250	1,00			--
0010	PVVR38732		BODY HL250	1,00			--
0011	PVVR38735		GUIDE BLADE HL250	1,00			--
0012	MPVR38734		CAP HL250	1,00			--



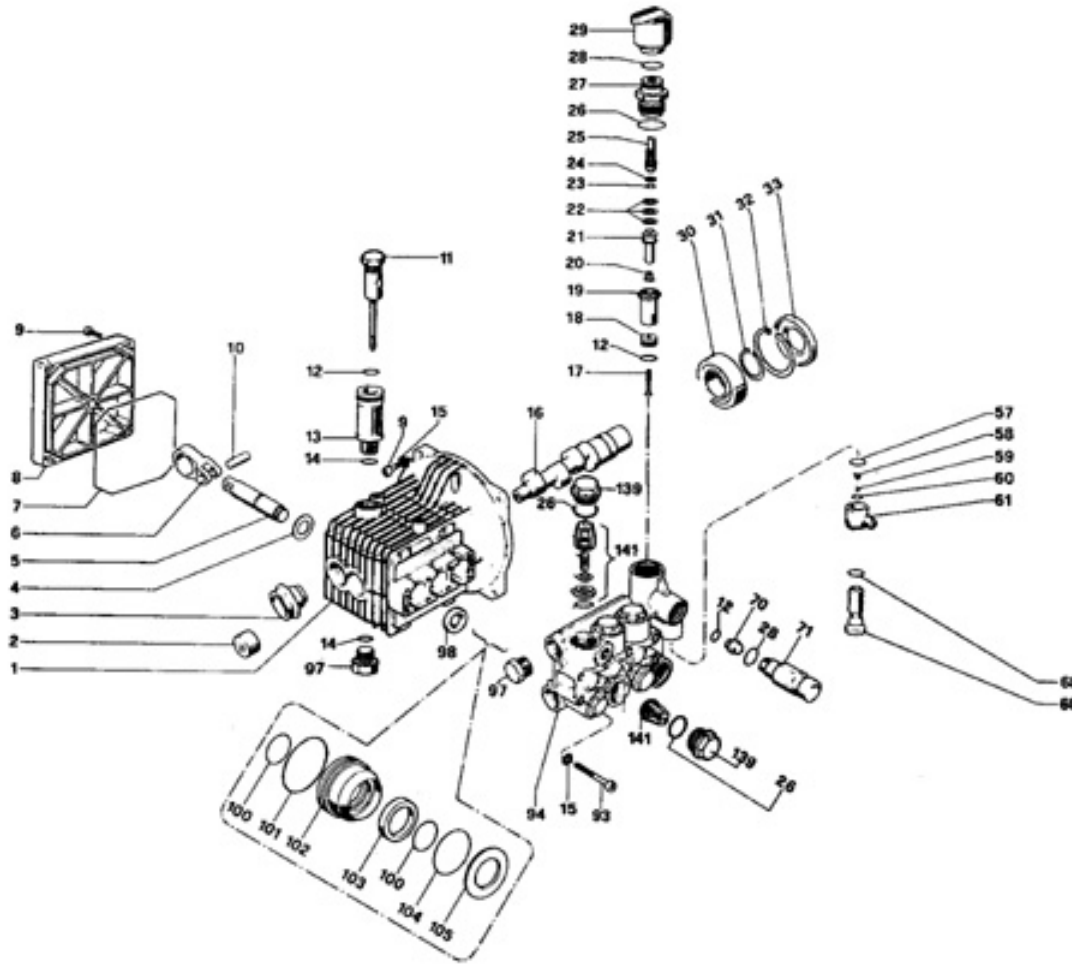
Ref. K	Part N.	Customer Part N.	Description	Qty	Validity:		Price
					From	To	
0001	MPVR45059		CAP I.JET	1,00			--
0002	SFVR45060		BALL D. 1/ 4" AISI 420	2,00			--
0003	PVVR45061		BODY I.JET	1,00			--
0004	GUGO01058		O-RING D. 17.17 X 1.78 NBR 70SH	1,00			--
0005	PVVR45062		CIRCLIP I.JET	1,00			--
0006	PVVR45063		NUT I.JET	1,00			--
0007	GUGO03505		O-RING D. 15.6 X 1.78 NBR 70SH	1,00			--
0008	PVVR45064		PIN I.JET 1/4F	1,00			--
0009	PVVR45065		GUIDE BLADE I.JET	1,00			--
0010	PVVR45066		RING I.JET	1,00			--
0011	GUGO31501		O-RING D. 7.60 X 2.62 VIT 70SH	2,00			--
0012	LAFN45067		PLUG "U" I.JET	1,00			--
0013	UGLN44394		NOZZLE M4 D. 1.15	1,00			--



Ref.	K	Part N.	Customer Part N.	Description	Qty	Validity: From To	Price
0001		MFVR18661		CRANKCASE CLT	1,00		--
0002		CUVR09639		ROLLER BEARING BK 1516V	1,00		--
0003		PVVR01083		OIL INDICATOR G 3/4 W70-151	1,00		--
0004		VTRS27615		WASHER D.14.3X23 X1 PLS	3,00		--
0005		PIVR27616		PISTON D. 15 FORM. INX	3,00		--
0006		BLVR09645		CONNECTING ROD WW S.90	3,00		--
0007		GUGO27617		O-RING D. 88.57 X 2.62 NBR 70SH	1,00		--
0008		MFVR27618		CRANKCASE COVER FORM.	1,00		--
0009		VTVT12255		SCREW TCEI 6X25 UNI5931	4,00		--
0010		PVVR09646		GUDGEON D. 8X24.5 BJ	3,00		--
0011		PVVR09653		OIL DIPSTICK G 3/8 BJ	1,00		--
0012	S	GUGO03501		O-RING D. 9.92 X 2.62 VIT 70SH	2,00		--
0013		PVVR09652		OIL DIP. SPACERBJ	1,00		--
0014		GUGO01035		O-RING D. 13.95 X 2.62 NBR 70SH	2,00		--
0015		VTRS01077		WASHER D. 6.4X10X0,7	8,00		--
0016		ALMO42588		SHAFT WW FRM "C"	1,00		--
0017	S	VVSC27619		VALVE W3	1,00		--
0018	S	PVVR27620		VALVE SEAT W3	1,00		--
0019	S	PVVR27621		SPACER FORM.	1,00		--
0020	S	MLML27622		SPRING D. 5.15/8.35X 10 INX	1,00		--
0021	S	PVVR27623		CONTROL PISTON FORM.	1,00		--
0022	S	PVVR27624		SPLIT RING D. 17 FORM.	3,00		--
0023		GUGO08603		O-RING D. 7.66 X 1.78 VIT 70SH	1,00		--
0024		GUVR09753		ANTI-EXTR.RING D. 8 X11X1.5	1,00		--
0025		PVVR27625		REGULAT. SCREW FORM.	1,00		--
0026	S	GUGO19395		O-RING D. 20.24 X 2.62 NBR 70SH	7,00		--
0027		PVVR27626		VALVE G.BUSHINGFORM.	1,00		--
0028		GUGO03507		O-RING D. 13.95 X 2.62 VIT 70SH	2,00		--
0029		PVVR27627		KNOB FORM.	1,00		--
0030		CUVR12645		BALL BEARING 6206	1,00		--
0031		VTAE12644		CIRCLIP D. 30 UNI 7435	1,00		--
0032		VTAE10405		CIRCLIP D. 62 UNI 7437	1,00		--
0033		GUGO18674		OIL SEAL 30X 62X 7 NBR70	1,00		--
0057	S	GUGO03496		O-RING D. 9.25 X 1.78 NBR 70SH	1,00		--
0058	S	MLML04264		SPRING D. 4.3X11X7.3 KR	1,00		--
0059	S	SFVR04274		BALL D. 7/32	1,00		--
0060	S	GUGO01055		O-RING D. 5.28 X 1.78 VIT 70SH	1,00		--
0061		RCDS20865		CONNECTOR O. D.14 - 3-6	1,00		--
0068	S	GUGO01036		O-RING D. 10.82 X 1.78 NBR 70SH	1,00		--



Ref. K	Part N.	Customer Part N.	Description	Qty	Validity:		Price
					From	To	
0069	PVVR09709		VALVE SEAT KR	1,00			--
0070	UGEI27770		NOZZLE D. 1.6 FORM. OT58	1,00			--
0071	RCDS21550		CONNECTOR 3/8M-M D.3 L=37	1,00			--
0093	VTVT06236		SCREW TCEI 6X40 UNI5931	8,00			--
0094	MFVR27629		HEAD FORM. ALL.	1,00			--
0097	RCDS01090		CAP 3/8X13 M WW90	2,00			--
0098	S GUGO09690		OIL SEAL 15X 24X 5 NBR70	3,00			--
0100	S GUGO01054		O-RING D. 15.08 X 2.62 NBR 70SH	6,00			--
0101	S GUGO03506		O-RING D. 25.12 X 1.78 NBR 70SH	3,00			--
0102	PVVR27630		PACKING RETAIN.D. 15 FORM.	3,00			--
0103	S GUVR27631		ANTI-EXTR.RING IP	3,00			--
0104	S GUGO08182		O-RING D. 21.91 X 1.78 NBR 70SH	3,00			--
0105	S VTRS27632		WASHER D.16.5X24.8X1	3,00			--
0139	S RCDS09688		CAP M 24X1,5 BJ	6,00			--
0141	S VVAM01104		VALVE UNIT W 70-151	6,00			--



Ref. Part N.	Cust. Part N.	Description	Reference	Price
KTRI17859	KIT P	1	0141	--
KTRI18651	KIT P	83	0098	--
KTRI18652	KIT P	84	0026 0139	--
KTRI27767	KIT P	118	0100 0101 0103 0104 0105	--
KTRI27768	KIT P	120	0012 0017 0018 0019 0020 0021 0022	--
KTRI27769	KIT P	95	0057 0058 0059 0060 0068	--