

Eagle Power



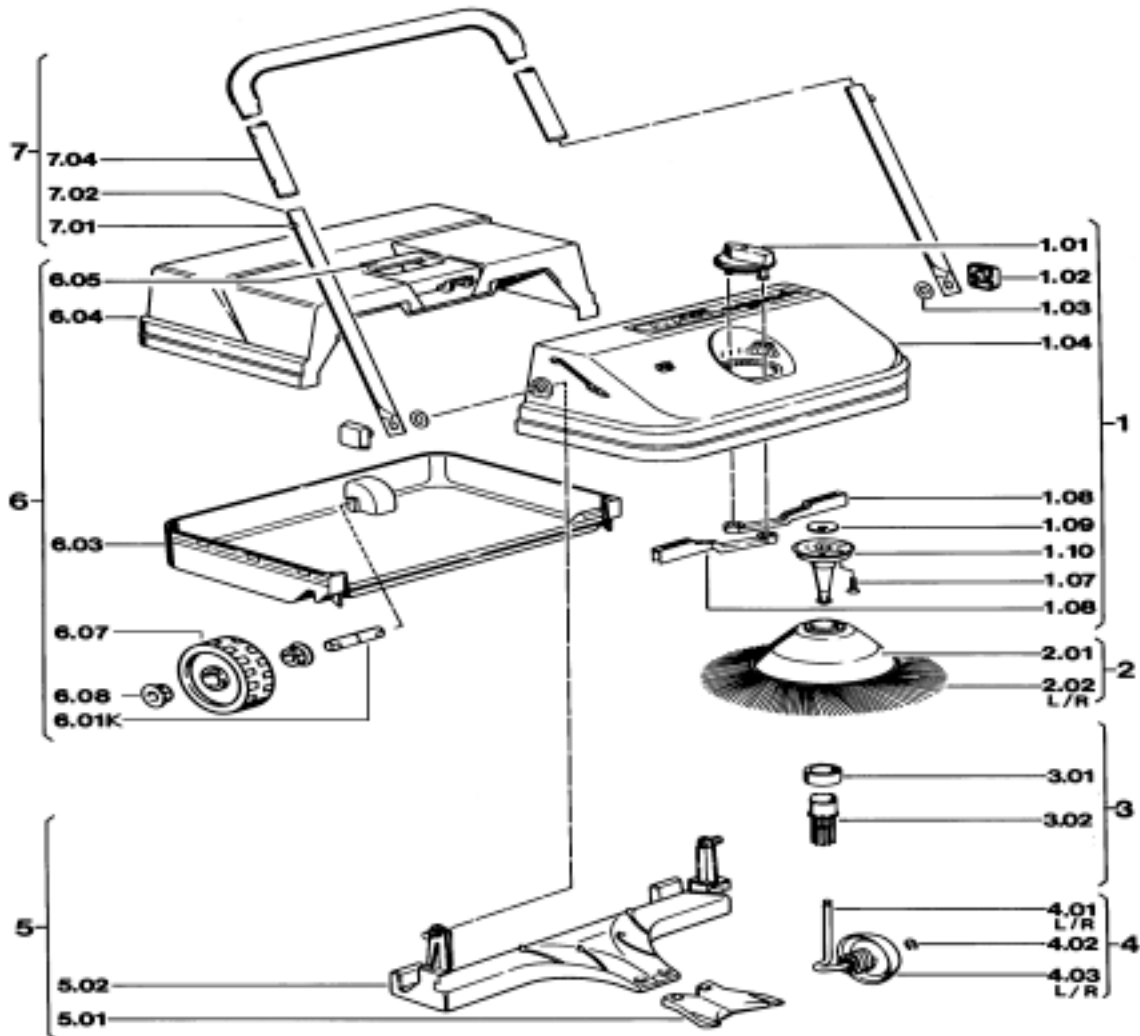
RS20 Manual Litter Sweeper

PARTS MANUAL

REV A

January 2003

RS20-MANUAL SWEEPER



RS20-MANUAL SWEEPER

POS.	PART #	DESCRIPTION
1	H8120100	FRONT COVER COMPLETE
1.01	H8000101	HEIGHT ADJUSTMENT DIAL
1.02	H8000102	CLAMPING SCREW
1.03	H8000103	WASHER FOR CLAMPING SCREW
1.04	H8120104	FRONT COVER
1.07	H8000007	SCREW
1.08	H8100108	ADJUSTMENT SLIDE
1.09	H8100109	WASHER PIVOT HOUSING
1.10	H8100110	PIVOT HOUSING
2 L + 2 R	H8110200	LEFT & RIGHT CIRCULAR BROOM SET

RS20-MANUAL SWEEPER		
POS.	PART #	DESCRIPTION
2 L	H8120200L	LEFT CIRCULAR BROOM
2 R	H8120200R	RIGHT CIRCULAR BROOM
3 L	H8100300L	LEFT TOOTH SLEEVE WITH CLUTCH
3 R	H8100300R	RIGHT TOOTH SLEEVE WITH CLUTCH
3.10 L	H8100310L	LEFT CLUTCH COMPLETE
3.10 R	H8100310R	RIGHT CLUTCH COMPLETE
3.02	H8100302	TOOTH SLEEVE
4	H8100400	LEFT & RIGHT OLIQUE WHEEL SET
4.02	H8000404	6mm WASHER
5	H8100500	SWEEPING PLATE WITH LIP
5.01	H8000501	SWEEPING LIP
5.02	H8100502	SWEEPING PLATE
6	H8120600	REFUSE CONTAINER COMPLETE
6.01	H8000601K	AXLE FOR REFUSE CONTAINER
6.03	H8100603	BOTTOM COVER REFUSE CONTAINER
6.04	H8120604	TOP COVER REFUSE CONTAINER
6.05	H8000605	REFUSE CONTAINER HANDLE
6.07	H8000607	TREAD WHEEL
6.08	H8000608	BUSHING
7	H8110700	HANDLE COMPLETE
7.01	H8000701	SPRING CLIP
7.02	H8000702	STRAIGHT TUBE
7.03	H8120703	SLIDING LEVER

Eagle Power

Warranty Policy

Limited Warranty

Eagle Power Products (EPP) warrants new cleaning equipment against defects in material and workmanship under normal use and service to the original purchaser as detailed below.

10 Years

Subject to the conditions stated below, EPP warrants polyethylene tanks and housings to be free from defects in materials and workmanship for a period of ten years.

3 Years

Subject to the conditions stated below, EPP warrants all automatic scrubber components to be free from defects in materials and workmanship for a 3-year period. Parts replaced or repaired are warranted for the remainder of the original warranty period.

1 Year

Subject to the conditions stated below, EPP warrants all other cleaning equipment components to be free from defects in materials and workmanship for a 1-year period. Parts replaced or repaired are warranted for the remainder of the original warranty period. Batteries are prorated for one year.

EPP will furnish and charge for replacement parts, including transportation, to the original owner through an EPP authorized service center. If the part is returned within 30 days and is found defective, the owner will be credited for the cost of the replacement part including shipping and handling.

Labor charges are covered for one year from the date of purchase if provided by an authorized EPP service center. Travel is covered for 90 days for battery operated equipment only.

Wear items exempt from warranty include belts, carbon brushes, power cords, wheels, pad drivers, clutch plates, brushes, pads, handle grips, filters, screens, throttle cables, and squeegees.

This warranty shall not apply to failures caused by misuse or abuse, improper maintenance as stated in the operation manuals, use of unauthorized repair parts, repairs by other than an EPP authorized service center, and damage in transit.

EPP disclaims and denies any liability for any direct, indirect, special incidental or consequential damage which may be suffered as a result of sale, delivery, servicing, use, loss of any product, downtime, labor, freight, or other charges not expressly included herein.

Date Purchased: _____

Model Number: _____

Serial Number: _____

Please be sure to record this information. This information will be necessary for future warranty claims.

Eagle Power

1174 Northland Drive Mendota Heights, MN 55120
651.686.5399 Fax 651.686.5695
www.eaglepower.com

Eagle Power Products Sales and Service Provided by: