



IPC Integrated Professional Cleaning

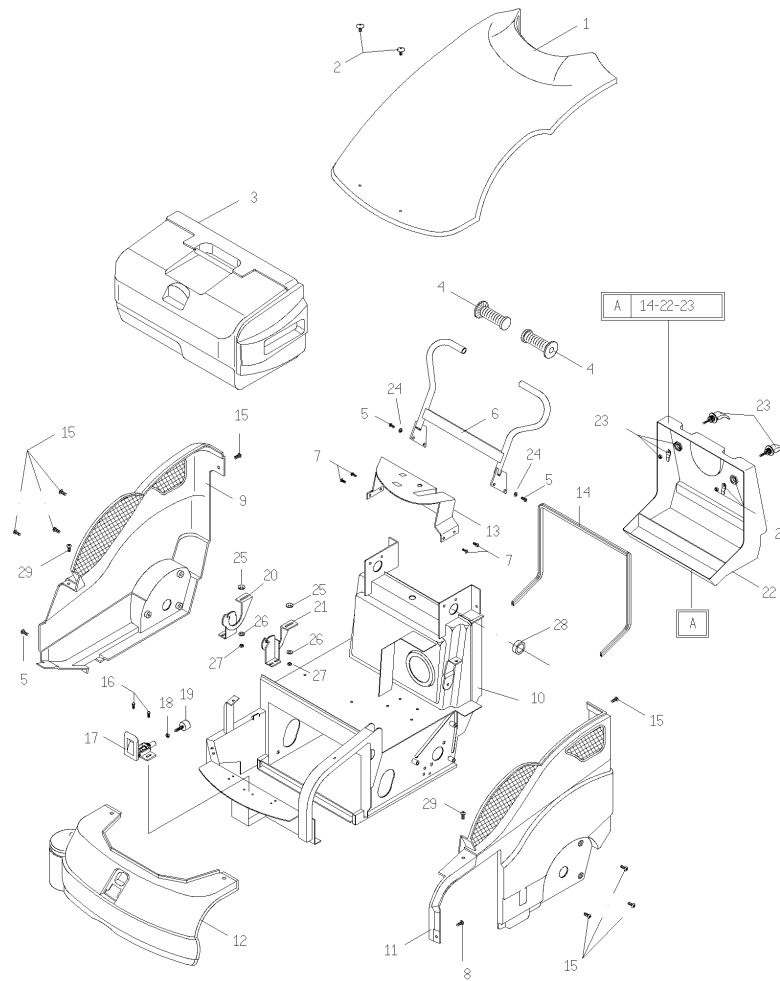
IPCGansow

Spare Parts List

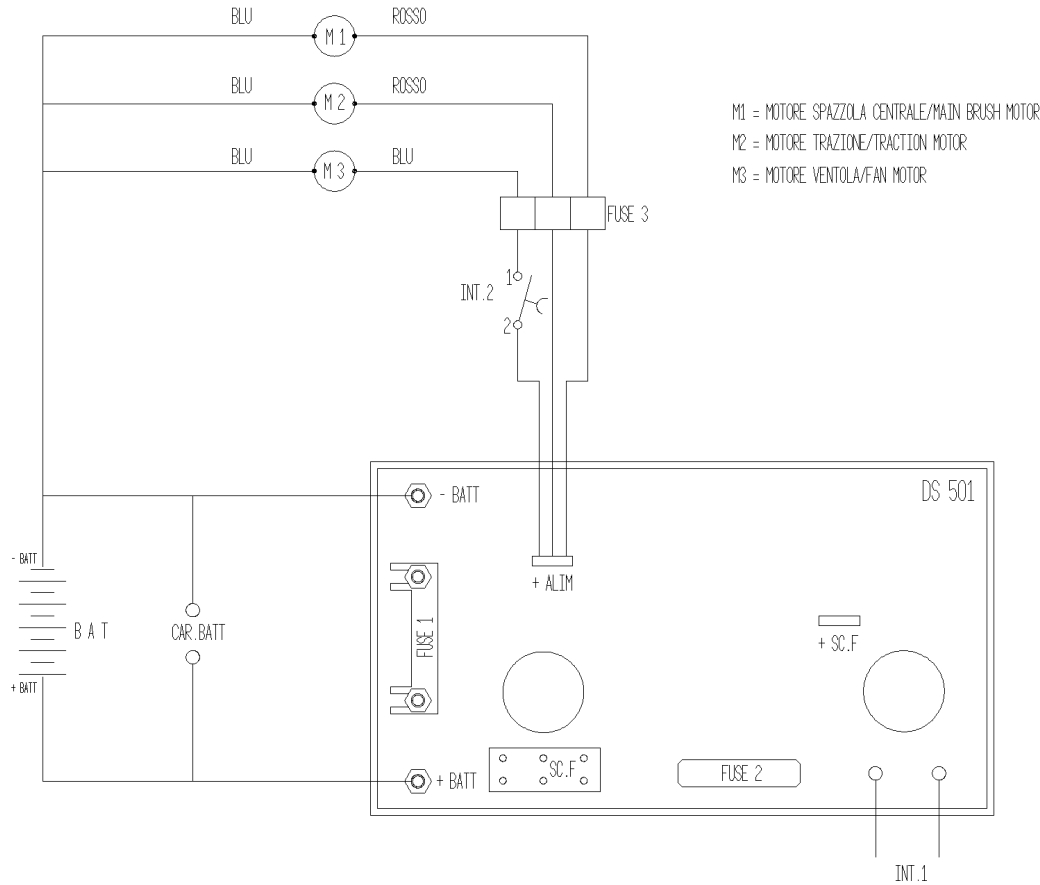
IPC . EAGLE

Ref: MSUT00191

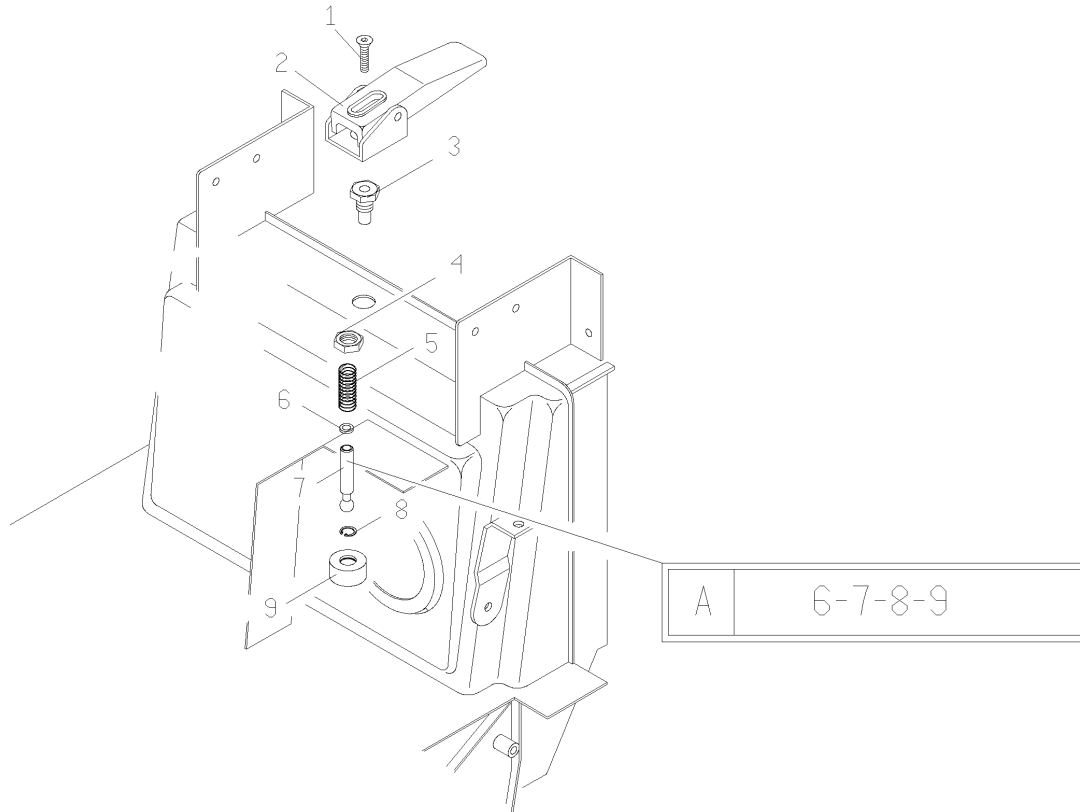
Model: Spazzatrice 510ET gr/arg CB 110/12A G+im



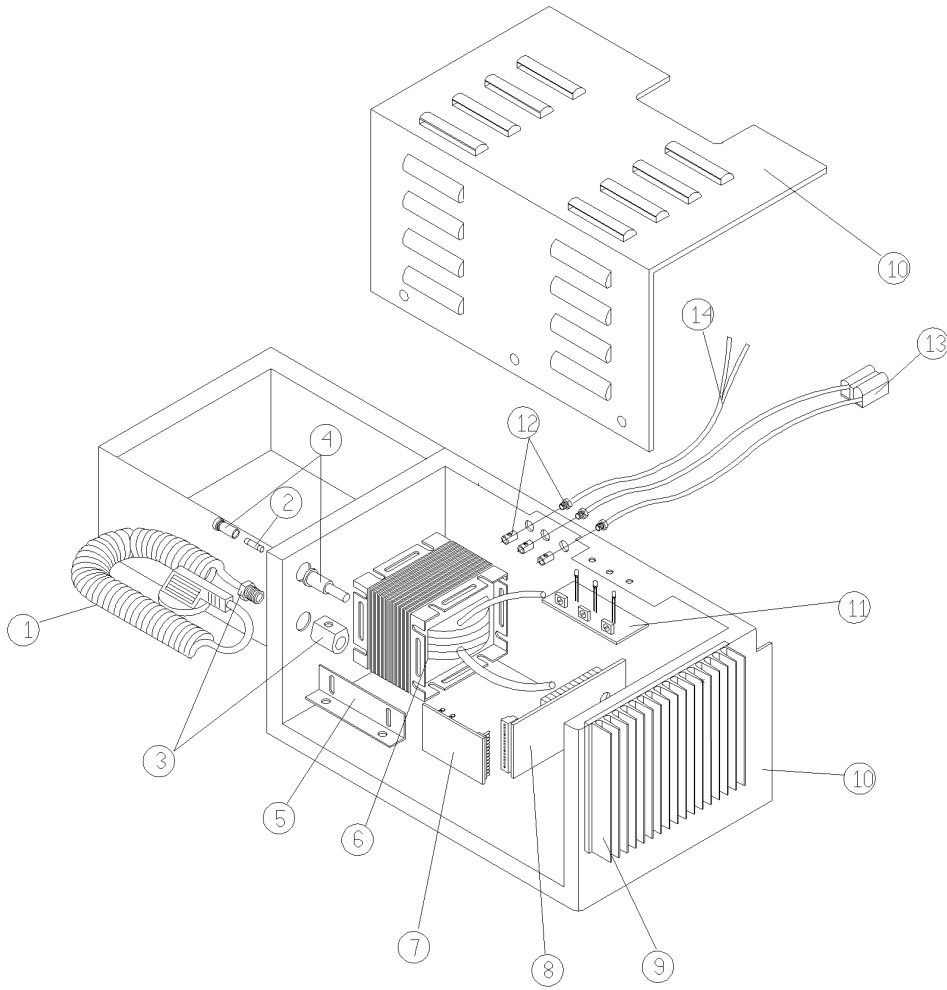
Ref.	K	Part N.	Customer Part N.	Description	Qty	Validity: From To	Price
0001		MPVR00599		HOOD SUPER.SILVER 510E ARGENTO	1,00		--
0002		PMVR00142		BOSS FISSAG.COFANO SUP.COMPL	2,00		--
0003		PMVR00379		DRAWER ANTER.SILVER 510 COMPL.	1,00		--
0004		MPVR00036		KNOB GOMMA NERA D.24/24 FORATA	2,00		--
0005		VTVT87271		SCREW TBEI M 8X 16 ISO 7380	1,00		--
0006		LAFN00415		HANDLE SILVER 510/710 VERNICIATO	1,00		--
0007		VTVT62920		SCREW TE F/ROND. M 6X 16 ZB	4,00		--
0008		VTVT00040		SCREW AUTOF.TC UNI6954 3,5X10SP	1,00		--
0009		MPVR00606		CRANKCASE LAT.DX SILVER GRIG+GRIGL	1,00		--
000A		PMVR00381		DRAWER POSTER.SILVER 510 COMPL.	1,00		--
0010		LAFN01050		FRAME SILVER 510E GRIGIO 7024	1,00		--
0011		MPVR00605		CRANKCASE LAT.SX SILVER GRIG+GRIGL	1,00		--
0012		MPVR00603		CRANKCASE FRONTALE SILVER 510 GRIG.	1,00		--
0013		LAFN00878		INSTR.PANEL 510/520/540/550E VERNIC.	1,00		--
0014		GUVR75932		GASKET P. SW 500 TK2160090	1,00		--
0015		VTVT45395		SCREW TBEI M 8X 10 ISO 7380 ZB	6,00		--
0016		VTVT62920		SCREW TE F/ROND. M 6X 16 ZB	2,00		--
0017		PMVR00141		LEVER CHIUSURA CASS.ANT.SILVER	1,00		--
0018		VTDD00057		NUT UNI 5589 M8 BASSO ZB	1,00		--
0019		VTVR00038		FOOT D.30 M8	1,00		--
0020		PMVR00139		HINGE COFANO ANTER.510/710 DX	1,00		--
0021		PMVR00140		HINGE COFANO ANT.510/710 SX	1,00		--
0022		MPVR00607		DRAWER POSTERIORE SILVER 510 GRI	1,00		--
0023		PMVR00138		LOCK TEK	2,00		--
0024		VTRS00504		WASHER D. 8 TE ZC. UNI 6592	2,00		--
0025		LAFN00190		BUSHING CON BOMBATURA ESTERNA	2,00		--
0026		LAFN00191		BUSHING CON BOMBATURA INTERNA	2,00		--
0027		VTDD13261		NUT M 8X1 UNI 5589	2,00		--
0028		MEVR00115		FAIR-LEAD EGP20-29S.60	1,00		--
0029		VTVT85745		SCREW TBEI M 6X 25 ISO 7380 ZB	2,00		--



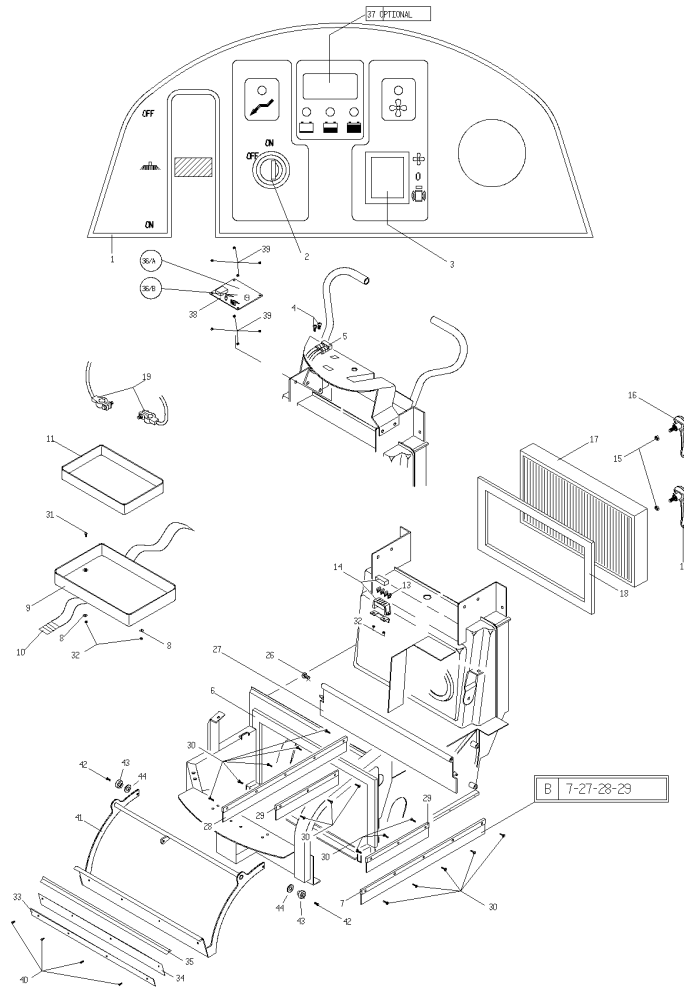
Ref.	K	Part N.	Customer Part N.	Description	Qty	Validity:		Price
						From	To	
00M1		RDGR75782		MOTOR.GEARBOX d.77 TK 500	1,00			--
00M2		RDGR75782		MOTOR.GEARBOX d.77 TK 500	1,00			--
00M3		MOCC75780		MOTOR D.77 24V	1,00			--
INT1		MECI75805		SWITCH TK	1,00			--
INT2		MECI85753		SWITCH	1,00			--



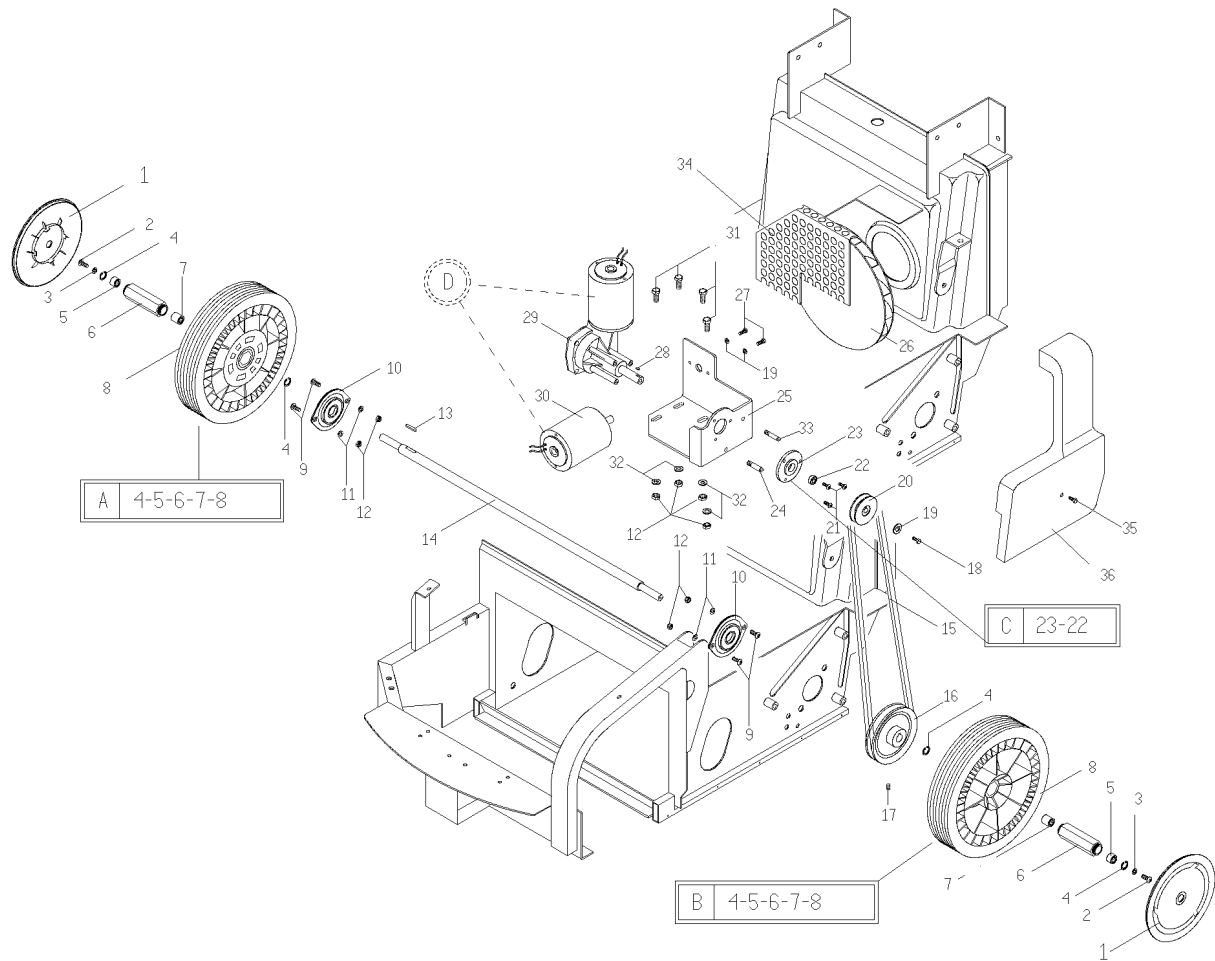
Ref. K	Part N.	Customer Part N.	Description	Qty	Validity:		Price
					From	To	
0001	VTVT13515		SCREW TSPEI M6x16 UNI5933 10.9	1,00			--
0002	PMVR00211		LEVER SCUOTIFILTRO TK COMPLETA	1,00			--
0003	LAFN00334		GUIDE SCUORIFILTRO CH.24 H.27	1,00			--
0004	VTDD00015		NUT UNI 5589 M18 BASSO ZB	1,00			--
0005	MLML00005		SPRING COMPRES.SCUOTIF.TK ZB	1,00			--
0006	GUGO03500		O-RING D. 6.75 X 1.78 NBR 70SH	1,00			--
0007	LAFN00429		PIN D.15 H.78 A SFERA	1,00			--
0008	VTAE00007		SEEGER INTERNO DIN 472 D.16	1,00			--
0009	LAFN00417		ARTICULATED BARTK500/700	1,00			--
000A	PMVR00216		FILTER SHAKER TK COMPLETA	1,00			--



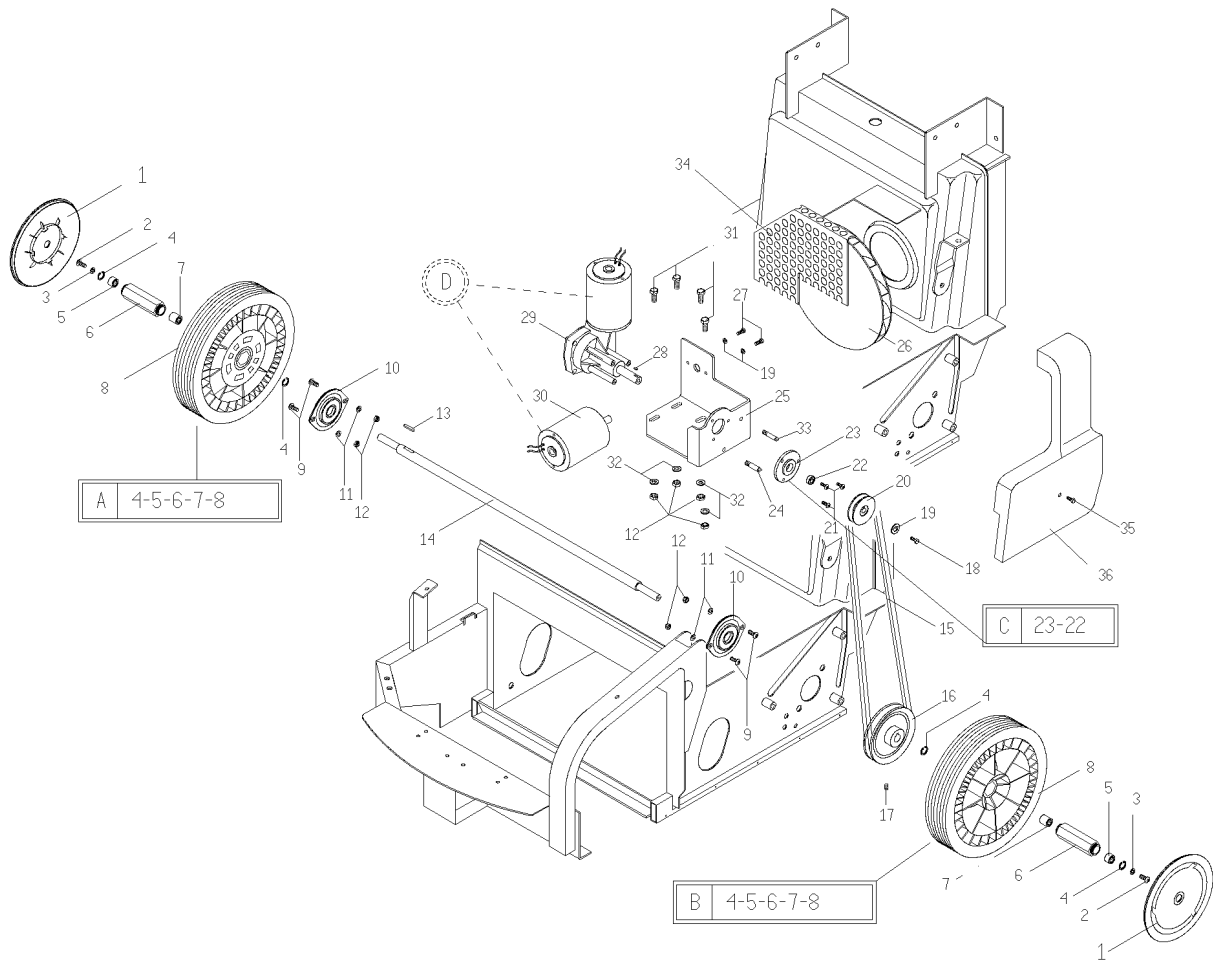
Ref. K	Part N.	Customer Part N.	Description	Qty	Validity: From To	Price
0001	MECB00027		CABLE RETE SPINA USA/JAP110V12A	1,00		--
0002	MEVR00072		FUSE 2.5A F6.3X32-100/110V	1,00		--
0003	MEVR00074		FAIR-LEAD MEDIO X CARICABATTERIA	1,00		--
0004	MEVR00076		FUSE-HOLDER 6.3X32	1,00		--
0005	LAFN00011		BRACKET FISSAGGIO TRASFORMATORE	1,00		--
0006	MECI00011		TRANSFORMER 110-12V-12A	1,00		--
0007	MECE00001		BOARD 15XX/3N 12/24 WA	1,00		--
0008	MECE00002		BOARD CBNP015A-R 12V 10/12A ASS	1,00		--
0009	MEVR00022		RADIATOR 12V	1,00		--
0010	LAFN00887		CONTAINER CARICABATT.BOARD VERNIC.	1,00		--
0011	MECE00004		BOARD CBNTLA 12V	1,00		--
0012	MEVR00075		FAIR-LEAD PICCOLO X CARICABATTERIA	1,00		--
0013	MECB00029		CABLE +CONNET.CARICABAT.10/12A	1,00		--
0014	MECB00031		CABLE BIPOL.DI OUT X CARICABAT.	1,00		--



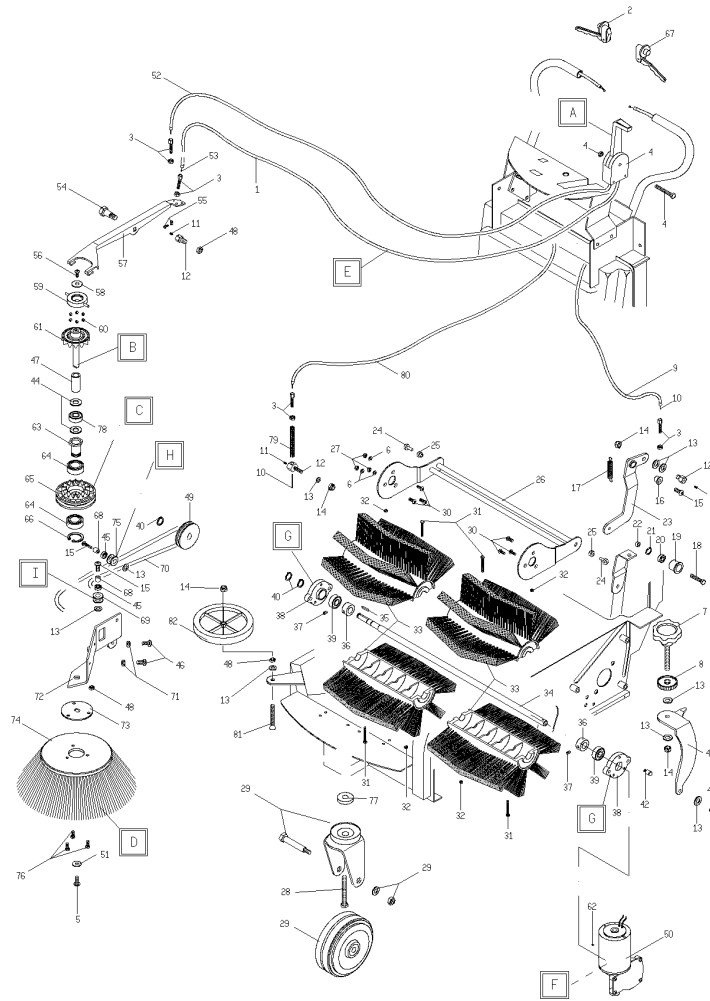
Ref.	K	Part N.	Customer Part N.	Description	Qty	Validity: From To	Price
0001		ETET00130		LABEL CRUSCOTTO 510-520ET	1,00		--
0002		MECI75805		SWITCH TK	1,00		--
0003		MECI85753		SWITCH	1,00		--
0004		VTVT00103		SCREW AUTOF.TC UNI 6954 4,8X22	2,00		--
0005		MEVR00033		CONNECTOR CB50 GRIGIO	1,00		--
0006		KTRI86322		JOINT KIT MOUSSE 30X15 TK2160033	1,00		--
0007		MPVR00775		FLAP LATERALE	1,00		--
0008		VTRS15958		WASHER D. 5 X15 UNI 6593	2,00		--
0009		MPVR00610		CONTAINER BAT.NERO SILVER 510/710	1,00		--
0010		MPVR02939		BELT BATTERIA	1,00		--
0011		MPVR00693		CONTAINER SUPPL.DI SICUR X BATT.510	1,00		--
0013		MEVR01136		FUSE 30A	1,00		--
0014		MEVR00030		FUSE-HOLDER 4 VIE COPERCHIO TRAS.	1,00		--
0015		VTDD00483		NUT M 8 ZIN UNI 5588	2,00		--
0016		PMVR00383		HANDLE BLOCCAGGIO FILTRO SILVER	2,00		--
0017		FTDP85298		FILTER SW 540/541	1,00		--
0018		KTRI75926		FOAM KIT	1,00		--
0019		MECB00008		ELECTRI.INSTAL.TK500 MANICO NUOVO	1,00		--
0026		VTVT47025		SCREW TBEI M 10X 16 ISO 7380 ZB	2,00		--
0027		MPVR85933		RUBBER FLAP TK 500 TK2160035	1,00		--
0028		MPVR87238		RUBBER FLAP	1,00		--
0029		MPVR87237		RUBBER FLAP	2,00		--
0030		VTVT01295		SCREW 3,5X9,5 TS80 UNI 6955 ZB	16,00		--
0031		VTVT00474		SCREW TSCE uni 5933 4x12 ZB	2,00		--
0032		VTDD04368		NUT M 4 ZIN UNI 5588	2,00		--
0033		LAFN00331		CLAMP GOMMA ALZAFLAP 500	1,00		--
0034		MPVR87400		RUBBER ALZAFLAP 2160410	1,00		--
0035		MPVR00731		RUBBER ALZAFLAP SERIE 500	1,00		--
0037		MESB00002		HOUR-COUNTER LCD MOD.700 12-24V	1,00		--
0038		MECE75944		PCB 12V	1,00		--
0039		VTDD04368		NUT M 4 ZIN UNI 5588	8,00		--
0040		VTVT00040		SCREW AUTOF.TC UNI6954 3,5X10SP	4,00		--
0041		LAFN00076		BALANCER ALZAFLAP SILVER 510 ZINC.	1,00		--
0042		VTVT75724		SCREW TBEI M 8X 22 ISO 7380 ZB	2,00		--
0043		LAFN00188		BUSHING OTTONE BRAC.ALZAFL.SILVER	2,00		--
0044		VTRS00512		WASHER D. 8 X24 ZC.	2,00		--
036A		MEVR00049		FUSE A BARRA 50 A	1,00		--
036B		MEVR00048		FUSE 1,6A-250V VETRO	1,00		--



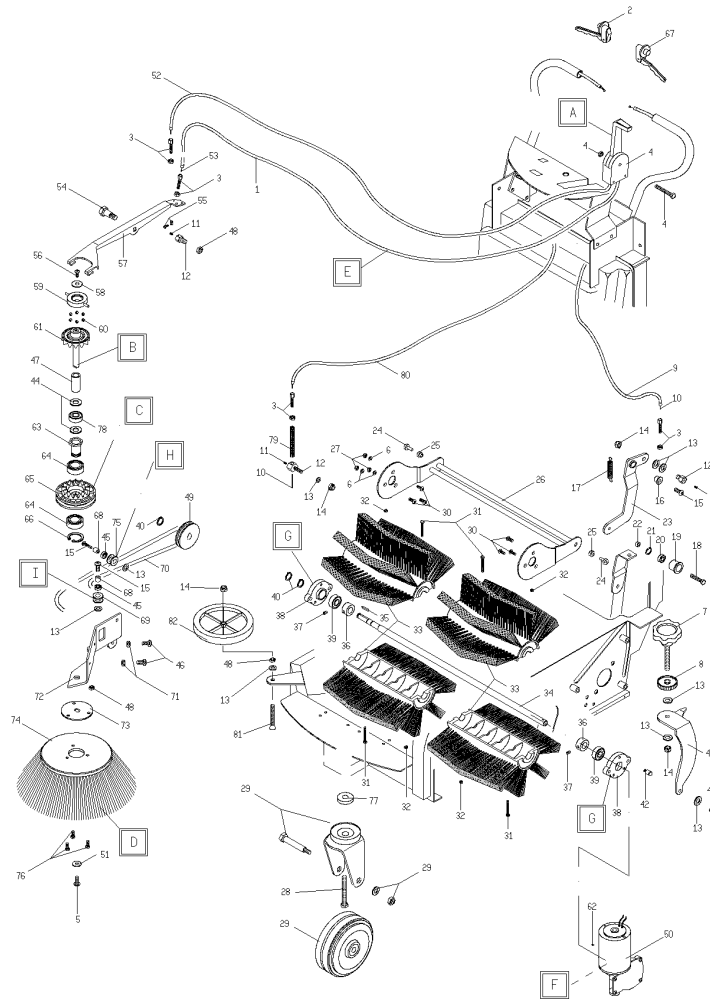
Ref.	K	Part N.	Customer Part N.	Description	Qty	Validity:	Price
						From	To
0001		MPVR48834		GREY HUB CAP D.200 TK	2,00		--
0002		VTVT75725		SCREW TBEI M 6X 10 ISO 7380 ZB	2,00		--
0003		VTRS63242		WASHER D. 6 X24 ZC	2,00		--
0004		VTAE28493		CIRCLIP D. 28 UNI 7435	4,00		--
0005		CUVR37341		ROLLER BEARING HFL 1426	2,00		--
0006		LAFN75838		BUSHING	2,00		--
0007		CUVR37344		ROLLER BEARING HK 1412	2,00		--
0008		RTRT00031		WHEEL GOMMA D.250X55 GR.CERC.NE	2,00		--
0009		VTVT75721		SCREW TTDE UNI 5732 6 X 16 ZB	4,00		--
000A		PMTR00067		WHEEL D.250 DX COMPL.GRIG.-NERO	1,00		--
000B		PMTR00066		WHEEL D.250 SX COMPL.GRIG.-NERO	1,00		--
000C		PMTR00032		SUPPORT CUSCIN.6000 RIDUT.TRAZ.TK	1,00		--
000D		MPVR87013		CARBON	1,00		--
0010		CUVR75815		BALL BEARING UBPF203	2,00		--
0011		VTRS00503		WASHER D. 6 TE UNI 6798	4,00		--
0012		VTDD00491		NUT M 6 TEF	8,00		--
0013		VTVR26559		KEY 5X5X15	1,00		--
0014		ALTR75820		TRACTION SHAFT TK500 H.697	1,00		--
0015		MTCG13166		BELT Z 30	1,00		--
0016		MTPL75984		PULLEY D.140	1,00		--
0017		VTVT86570		GRUB SCREW M 6x10 UNI 5927	1,00		--
0018		VTVT00003		SCREW TE M 4X 12 ZC. UNI 5739	1,00		--
0019		VTRS00291		WASHER D. 5 X20 ZC UNI 6593	3,00		--
0020		MTPL75985		PULLEY D.55	1,00		--
0021		VTVT85745		SCREW TBEI M 6X 25 ISO 7380 ZB	3,00		--
0022		CUVR86373		BEARING 6000 2RS	1,00		--
0023		LAFN48900		SUPPORT 6000 TK	1,00		--
0024		LAFN75969		PIN D.9 H.33	1,00		--
0025		LAFN00652		SUPPORT MOTORI TK ZINCATO	1,00		--
0026		VEVR26677		IMPELLER D.200 L.50HE	1,00		--
0027		VTVT14062		SCREW TE 5X16 UNI5739	2,00		--
0028		VTVR75730		KEY UNI 6606 3 X 3,7	1,00		--
0029		RDGR75782		MOTOR.GEARBOX d.77 TK 500	1,00		--
0030		MOCC75780		MOTOR D.77 24V	1,00		--
0031		VTVT62920		SCREW TE F/ROND. M 6X 16 ZB	4,00		--
0032		VTRS04026		WASHER D. 6X18X2.38	4,00		--
0033		LAFN00576		PIN FISS.CONVOGLIATORE ARIA	1,00		--
0034		LAFN00876		PROTECTION	1,00		--
0035		VTVT00527		SCREW TE FR 6x10 ZB ZIGRINATE	1,00		--



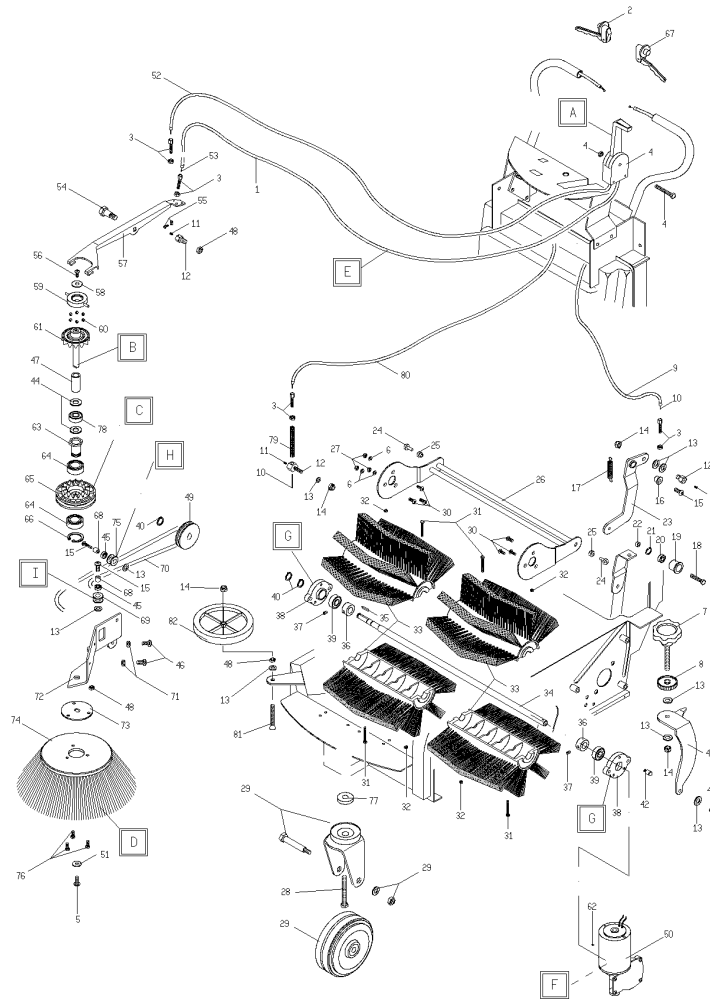
Ref. K	Part N.	Customer Part N.	Description	Qty	Validity: From To	Price
0036	MPVR00611		CONVEYOR ARIA VERSIONE ELETTRICA	1,00		--



Ref. K	Part N.	Customer Part N.	Description	Qty	Validity: From To	Price
0001	CMCV75902		SIDE BR. SHEATHTK500E/S	1,00		--
0002	PMTR00088		HANDLE TRAZ.K E TK NUOVO MAN.COM	1,00		--
0003	CMCV75723		REGISTER D.7	3,00		--
0004	LAFN75738		TRIGGER	1,00		--
0005	VTVT62920		SCREW TE F/ROND. M 6X 16 ZB	1,00		--
0006	VTRS00503		WASHER D. 6 TE UNI 6798	3,00		--
0007	RTRT00025		HANDWHEEL D.60 M12 FORO CIECO	1,00		--
0008	LAFN75736		RING NUT	1,00		--
0009	CMCV85325		SHEATH L.1140 SW 540 2125013	1,00		--
000A	LAFN85519		TRIGGER SW 510	1,00		--
000B	MTIG85321		RING SW 500TK	1,00		--
000C	PMVR00403		RING DENTATO FOLLE TK COMPLETO	1,00		--
000D	PMVR00248		SIDE-BRUSH TK COMPLETA PPL 70	1,00		--
000E	CMCV85333		SHEATH 2310262	1,00		--
000F	MPVR87013		CARBON	1,00		--
000G	MPVR00829		SUPPORT D.90 DX/SX(5 INS.)+CUSC.	2,00		--
000H	PMTR00064		PULLEY D.27X15 BRAC.LAT.TIP.NUOV	1,00		--
000I	PMTR00065		PULLEY D.30X15 BRAC.LAT.TIP.NUOV	1,00		--
0010	CMCV00022		CABLE TRAZIONE L.1320	2,00		--
0011	VTVT87456		SCREW UNI 5923 5x6	3,00		--
0012	LAFN01068		SCREW CH.17 H.28 FISSAGGIO FILO	3,00		--
0013	VTRS00504		WASHER D. 8 TE ZC. UNI 6592	9,00		--
0014	VTDD00124		NUT M 8 BASSO	4,00		--
0015	VTVT75727		SCREW 8 X 25 TBCE Z.B.	3,00		--
0016	MPVR75836		BUSHING NYLON TK	1,00		--
0017	MLML75960		SPRING D. 8 X1 X32	1,00		--
0018	VTVT76018		SCREW	1,00		--
0019	MTPL37338		PULLEY L.50TE	1,00		--
0020	CUVR71988		BEARING 608 2RS	1,00		--
0021	VTAE87082		SEEGER INTERNO DIN 472 D.22	1,00		--
0022	LAFN75909		SPACER D.12 H.3.5	1,00		--
0023	LAFN87609		BRACKET TENDICINGHIA TKE ZINCATA	1,00		--
0024	LAFN76019		PIN D.15 H.25 TK	2,00		--
0025	LAFN75834		BUSHING	2,00		--
0026	LAFN00035		BALANCER TK500 K501 ZINCATO	1,00		--
0027	VTDD00491		NUT M 6 TEF	3,00		--
0028	VTVT00029		SCREW TE UNI 5739 12X60 ZB	1,00		--
0029	RTRT87241		WHEEL D.100	1,00		--
0030	VTVT00061		SCREW TSCE UNI 5933 6X20 ZB	6,00		--



Ref. K	Part N.	Customer Part N.	Description	Qty	Validity: From To	Price
0031	VTVT22102		SCREW TCEI 5X70 UNI5931	4,00	--	--
0032	VTDD01678		NUT M 5 UNI 5588	4,00	--	--
0033	SPPV00048		BRUSH CENTRALE	2,00	--	--
0034	ALTR75822		BRUSH SHAFT TK500 E	1,00	--	--
0035	VTVR26559		KEY 5X5X15	1,00	--	--
0036	LAFN26588		SPACER LOLY 50	2,00	--	--
0037	VTVT75731		SCREW UNI 5923 6 X5	2,00	--	--
0038	MPVR00829		SUPPORT D.90 DX/SX(5 INS.)+CUSC.	2,00	--	--
0039	CUVR00005		BEARING 6202 2RS	2,00	--	--
0040	VTAE17003		CIRCLIP D. 15 UNI 7435	3,00	--	--
0041	VTAE14016		CIRCLIP D. 12 UNI 7435	1,00	--	--
0042	LAFN75971		PIN	1,00	--	--
0043	LAFN00342		BRACKET REGOL.SPAZ.CENTR.TKE ZINC	1,00	--	--
0044	VTRS75831		WASHER	2,00	--	--
0045	CUVR75814		BEARING HK1012	2,00	--	--
0046	VTVT45395		SCREW TBEI M 8X 10 ISO 7380 ZB	2,00	--	--
0047	LAFN75912		SPACER	1,00	--	--
0048	VTDD13261		NUT M 8X1 UNI 5589	3,00	--	--
0049	MTPL75980		PULLEY TKE	1,00	--	--
0050	MOCC00003		MOTOR.GEARBOX D.77 12V 210 RPM BIG	1,00	--	--
0051	VTRS63242		WASHER D. 6 X24 ZC	1,00	--	--
0052	CMCV87452		SIDE BR. SHEATHTK500E/S	1,00	--	--
0053	CMCV85329		CABLE L.2240 SW 540	1,00	--	--
0054	LAFN75968		PIN	1,00	--	--
0055	CMCV75737		CLAMP D.7 art.857	1,00	--	--
0056	VTVT75724		SCREW TBEI M 8X 22 ISO 7380 ZB	1,00	--	--
0057	LAFN75953		LEVER	1,00	--	--
0058	VTRS00513		WASHER D. 8 X32 P.	1,00	--	--
0059	LAFN75824		RING	1,00	--	--
0060	SFVR00002		BALL 11/32"	6,00	--	--
0061	LAFN75826		RING	1,00	--	--
0062	VTVR75730		KEY UNI 6606 3 X 3,7	1,00	--	--
0063	LAFN75833		BUSHING	1,00	--	--
0064	CUVR86893		BEARING 6005 2RS	2,00	--	--
0065	LAFN75827		RING	1,00	--	--
0066	VTAE09655		CIRCLIP D. 25 UNI 7435	1,00	--	--
0067	PMTR00089		HANDLE TRAZ.K E TK NUOVO MAN.COM	1,00	--	--
0068	LAFN75840		BUSHING D.10x15.6	2,00	--	--
0069	MTPL75996		PULLEY D.27x15	1,00	--	--



Ref. K	Part N.	Customer Part N.	Description	Qty	Validity:		Price
					From	To	
0070	MTCG85335		BELT D. 8X1000	1,00			--
0071	VTRS00512		WASHER D. 8 X24 ZC.	2,00			--
0072	LAFN76005		SUPPORT	1,00			--
0073	LAFN75986		FLANGE	1,00			--
0074	SPPV76057		SIDE-BRUSH D.380 PPL 0.6	1,00			--
0075	MTPL75997		PULLEY D.30x15	1,00			--
0076	VTVT00527		SCREW TE FR 6x10 ZB ZIGRINATE	3,00			--
0077	LAFN00260		SPACER FISSEG.RUOTA ANTER.H 16	1,00			--
0078	CUVR37344		ROLLER BEARING HK 1412	1,00			--
0079	MLML00033		SPRING ALZAFLAP SILVER ZB	1,00			--
0080	CMCV85518		SHEATH SW 510/710 2125400	1,00			--
0081	VTVT01577		SCREW M 8x40 TSPEI ZINC.	1,00			--
0082	RTRT00011		WHEEL D.150 GRI/NR PARAC.SILVER	1,00			--