



IPC Integrated Professional Cleaning

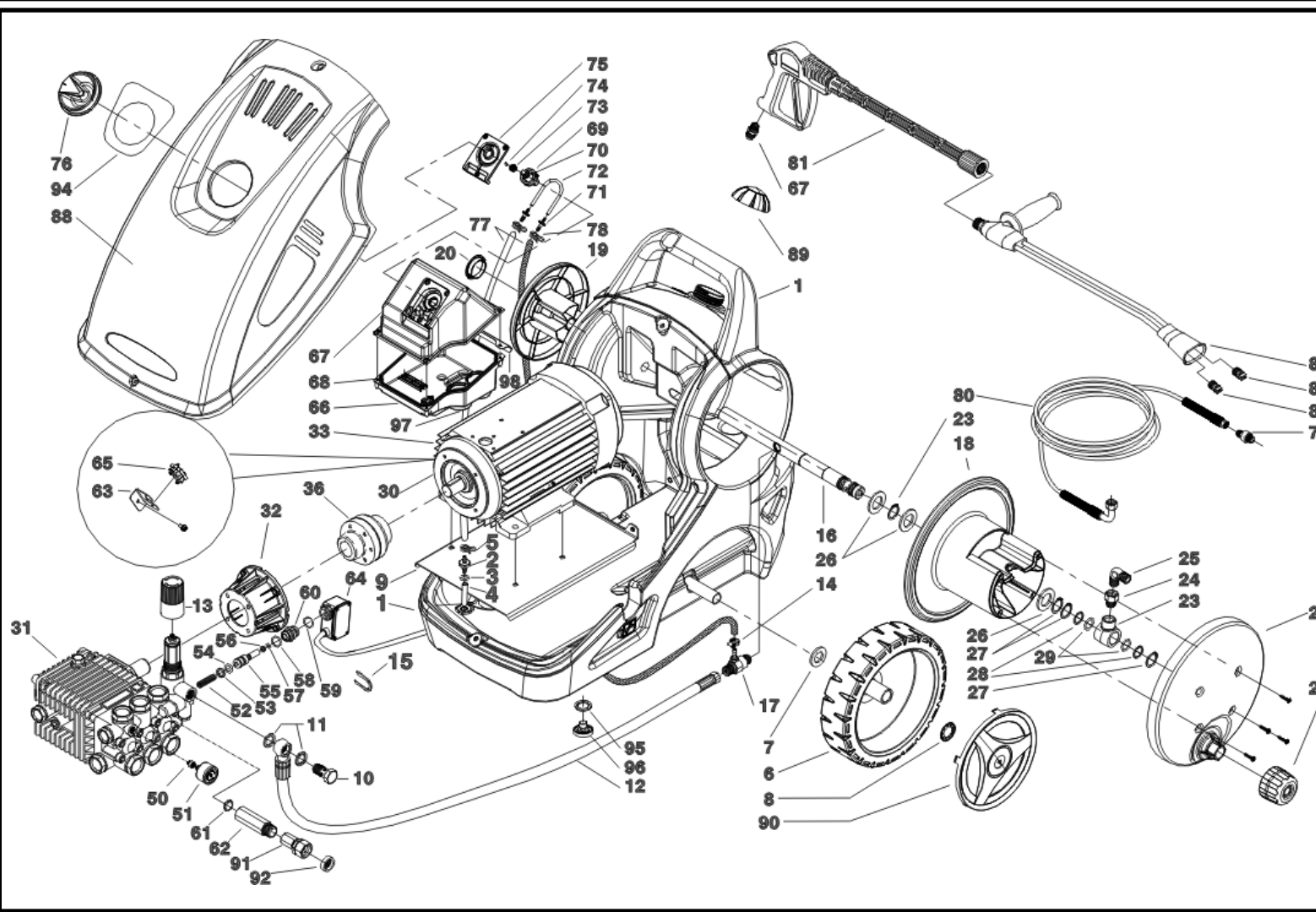
IPCPortotecnica

Spare Parts List

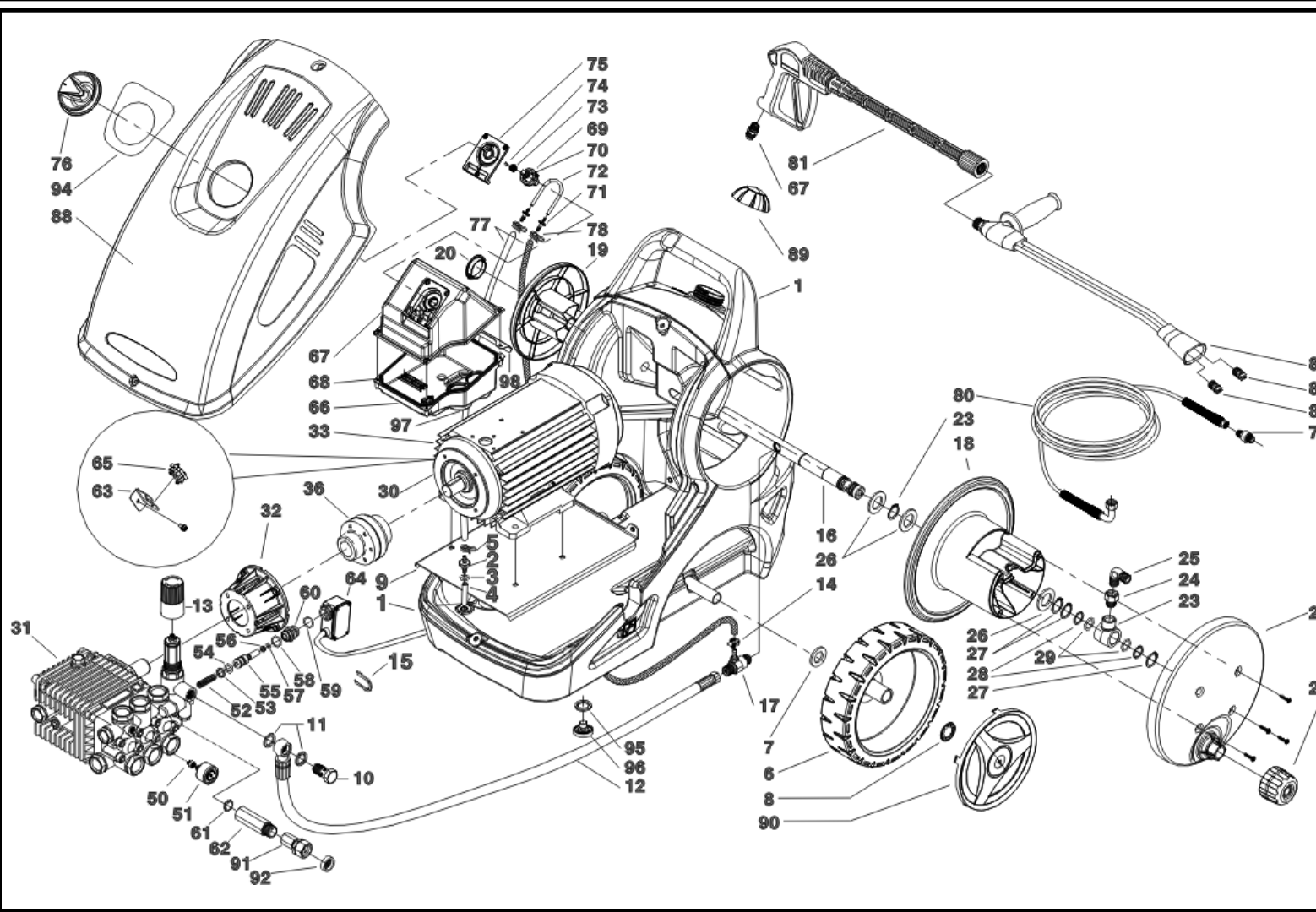
IPC EAGLE

Ref: IDAF40013

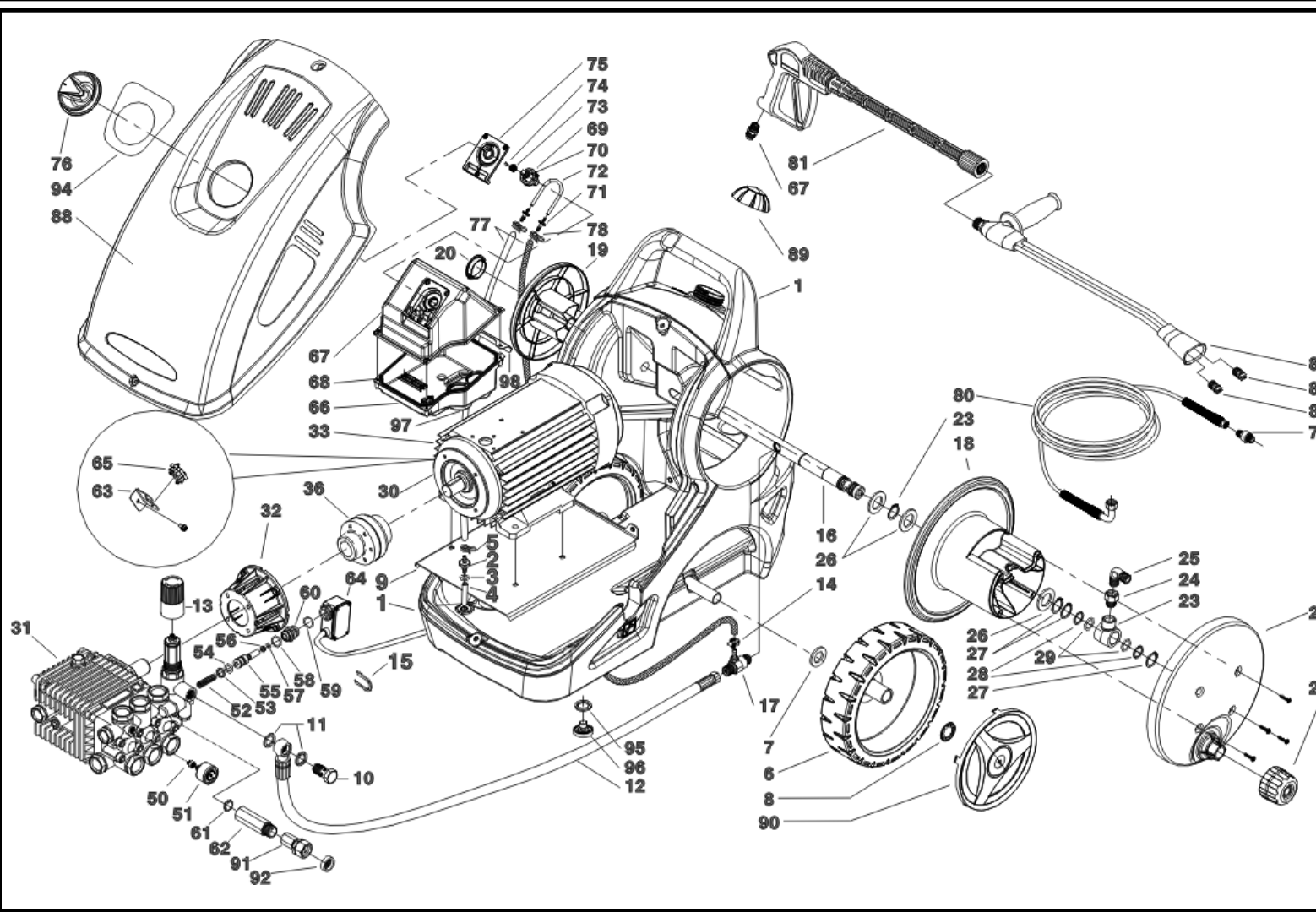
Model: IDROP EVOLUT.X3 PDS2020 M 230/60 3-01P60



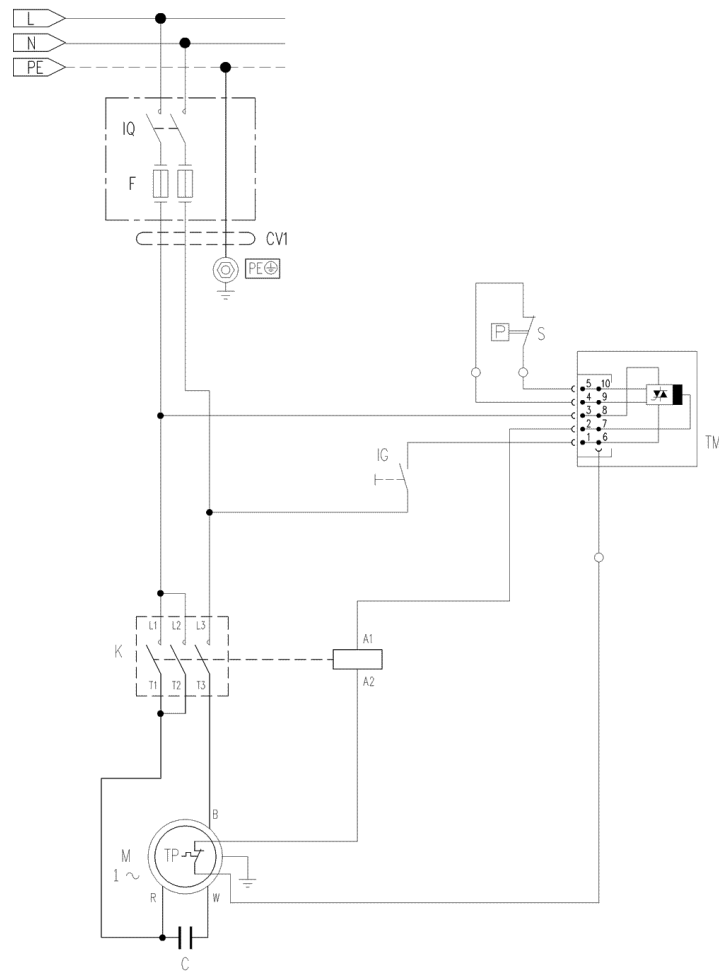
Ref.	K	Part N.	Customer Part N.	Description	Qty	Validity:		Price
						From	To	
0001		MPVR89898		CHASSIS P237- 6CV C.SB. PELD BK.	1,00			--
0002		RCDS88373		HOSE FITTING 1/8 M D. 3- 7	1,00			--
0003		GUGO01054		O-RING D. 15.08 X 2.62 NBR 70SH	1,00			--
0004		TBBP15347		L.P. HOSE D. 6- 8 RILSAN NT.	0,08			--
0005		FSVR72800		CLAMP D 8.3 - 8.8	1,00			--
0006		RTRT45383		WHEEL D.305-D.25 RT-IPC	2,00			--
0007		VTRS73055		WASHER D.44x26x4	2,00			--
0008		VTRS09813		WASHER D.25	2,00			--
0009		LAFN40036		MOTOR SUPPORT P237 H.100 2V.	1,00	05/2007		--
0009		LAFN89897		MOTOR SUPPORT P237 H.100	1,00		05/2007	--
0010		RCDS40002		SCREW G 3/8 L=34	1,00			--
0011		VTRS00548		WASHER D.17,5X22X1,5 (3/8)RM	2,00			--
0012		TBAP40000		HOSE-FITTING 5/16 R1 L=600 1/2F90-3/8O	1,00			--
0013		PVVR18673		KNOB COLT	1,00			--
0014		FSVR00427		CLAMP D. 12 CLIC 66-110	1,00			--
0015		LAFN37625		PLUG "U" T-STOP PRM INX	1,00			--
0016		LAFN89940		AXLE P237- 6CV 2PZ.	1,00			--
0017		EIDT40000		EJECTOR 1/2-1/4 M D.1.8 P237-MV	1,00			--
0018		MPVR89766		DRUM P237 PPL BK.	1,00			--
0019		MPVR89777		CABLE SUPPORT P237	1,00			--
0020		MPVR89776		CAP P237 A.CB.	1,00			--
0021		MPVR89765		COVER P237 PA6 BK.	1,00			--
0022		MPVR89764		HANDLE P237 PA6	1,00			--
0023		RCDS89862		BLOCK PRT-P237 G3/8 OT.	1,00			--
0024		RCVR62626		SLEEVE 3/8 M/F L=30.5	1,00			--
0025		RCVR40590		ELBOW 3/8" M A.P. OT.MTM	1,00			--
0026		VTRS04924		WASHER D.23X 39	3,00			--
0027		VTAE33674		CIRCLIP D. 22 UNI 7435	4,00			--
0028		GUVR37665		ANTI-EXTR.RING D.17.8X22 X1.5 PTFE	2,00			--
0029		GUGO01032		O-RING D. 17.13 X 2.62 NBR 70SH	2,00			--
0030		MOMO40002		1PH MOTOR P237 HP 4 220-604P H100	1,00			--
0031		PPAP45413		PUMP "63" EL2009V DX T.OT.H DS	1,00			--
0032		MFVR44328		COUNTERFLANGE H100 P176	1,00			--
0036		FGGT45424		FLEX. COUPLING W 1 2PZ. P176	1,00			--
0050		RCDS27782		REDUCTION 1/4-1/8 M-F	1,00			--
0051		MNMN18650		PRESSURE GAUGE 0-300 D.40	1,00			--
0052		MLML39786		SPRING D. 7.5 X 37.5 INX	1,00			--
0053		GUVR01940		ANTI-EXTR.RING D. 9,5X14X1,5	1,00			--
0054		GUGO28927		O-RING D. 9.13 X 2.62 NBR 70SH	1,00			--



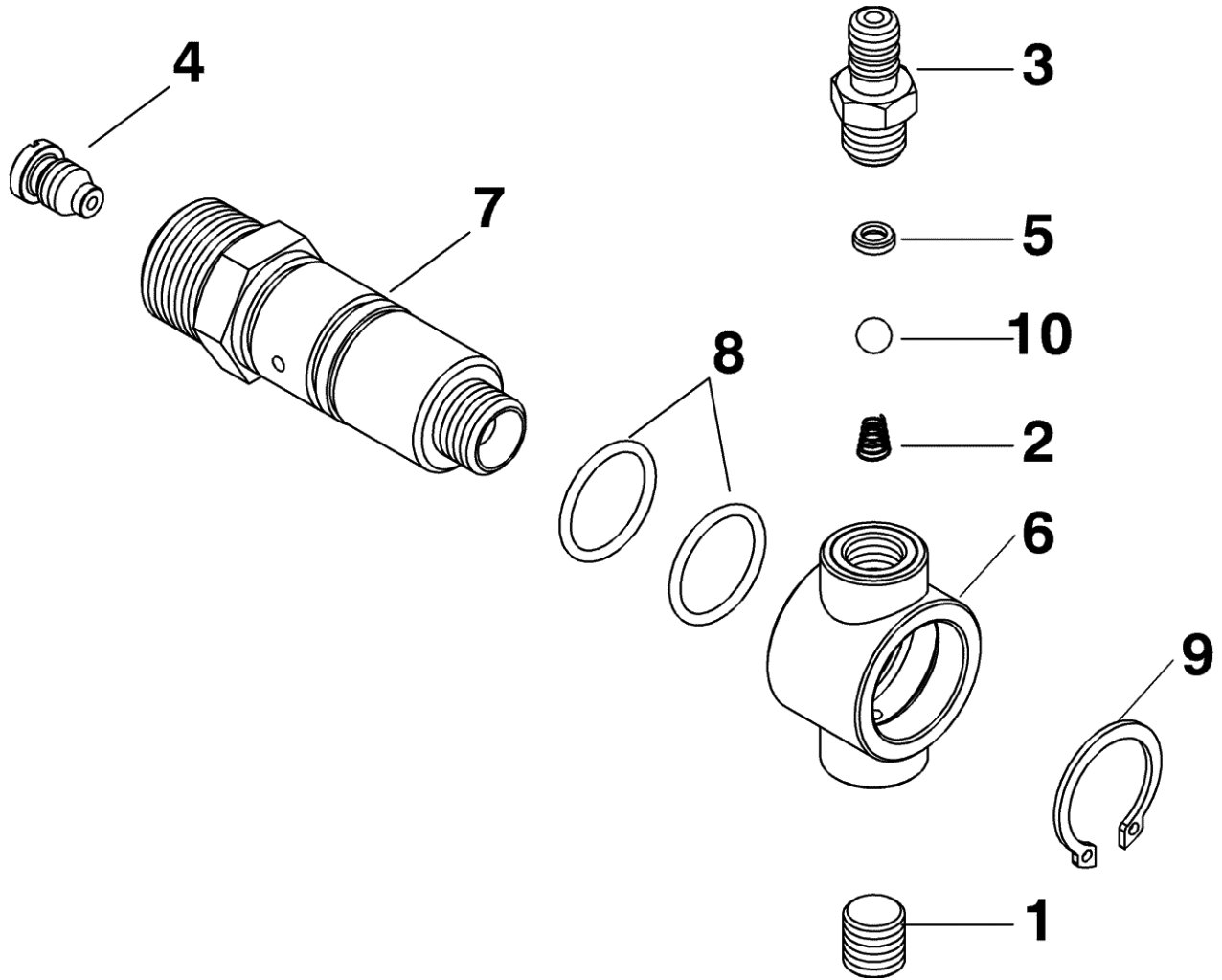
Ref.	K	Part N.	Customer Part N.	Description	Qty	Validity: From	To	Price
0055		PVVR39690		CONTROL PISTON T-STOP "44" OT	1,00			--
0056		GUVR37627		ANTI-EXTR.RING D. 5.2X 8 X1.5	1,00			--
0057		GUGO08071		O-RING D. 4.48 X 1.78 NBR 70SH	1,00			--
0058		GUGO09720		O-RING D. 14 X 1.78 NBR 70SH	1,00			--
0059		GUGO06988		O-RING D. 7.66 X 1.78 NBR 70SH	1,00			--
0060		PVVR37626		PISTON GUIDE T-STOP PRM OT	1,00			--
0061		GUGO01032		O-RING D. 17.13 X 2.62 NBR 70SH	1,00			--
0062		RCDS18714		NIPPLE G 3/4 CLT	1,00			--
0063		LAFN89774		SUPPORT P237 ZC.	1,00			--
0064		MEPF39924		PRESSURE SWITCHSLV N.A. 16(6)A XGA 2	1,00			--
0065		MEVR33994		CABLE FASTNER 4228 B D. 6- 18	1,00			--
0066		MPVR89768		CONTROL BOX P237 PA6 BK.	1,00			--
0067		MPVR89767		BOX COVER P237 PA6 BK.	1,00			--
0068		GUGO11309		JOINT MOUSSE D. 3	0,80			--
0069		MPVR89759		TAIL PIECE P237 INT. PA6 BK.	1,00			--
0070		GUGO01032		O-RING D. 17.13 X 2.62 NBR 70SH	1,00	09/2006		--
0070		GUGO19395		O-RING D. 20.24 X 2.62 NBR 70SH	1,00		09/2006	--
0071		RCDS89761		HOSE FITTING PA6 D. 3.5-7 P237	2,00			--
0072		TBBP89815		L.P. HOSE D. 4- 8.5 SILIC. NT.	0,19			--
0073		MPVR89760		ROLLER P237 PA6 BK.	1,00			--
0074		LAFN89793		PIN P237 INX	1,00			--
0075		MPVR89763		COVER P237 PA6 BK.	1,00			--
0076		MPVR89762		BLACK KNOB P237 PA6	1,00			--
0077		TBBP04917		L.P. HOSE D. 6- 9	1,10			--
0078		FSVR72803		CLAMP D 9.3 - 9.9	2,00			--
0080		TBAP40013		H.P. HOSE R1 MT 15 5/16" IRV X-3/8F	1,00			--
0081		IPPR89429		GRIP G 4500 - P.330 -M22SW.M V	1,00			--
0083		LCPR12983		DOUBLE EXTENS. PD 70	1,00			--
0084		UGLN05174		NOZZLE 1/4 5040 OT	1,00			--
0085		UGLN49990		NOZZLE LECH 1/4 25034	1,00			--
0088		MPVR89960		RED COVER P237- 6CV PP	1,00			--
0089		MPVR45426		TANK CAP P176 PEHD	1,00			--
0090		MPVR45384		RED WHEEL COVERD. 305 RT-PRT	2,00			--
0091		FTAC09717		FILTER D.15X37	1,00			--
0092		RCVR29600		SOCKET PTC 3/4 F	1,00			--
0093		RCVR29602		CONNECTOR D. 1/2"-5/8" PTC	1,00			--
0094		ETET89890		LABEL P237-EV.X5 PLC	1,00			--
0095		RCDS89769		CAP M12X1 CH.6 H.20 OT.	1,00			--
0096		GUGO76542		O-RING D. 23.47 X 2.62 NBR 70SH	1,00			--



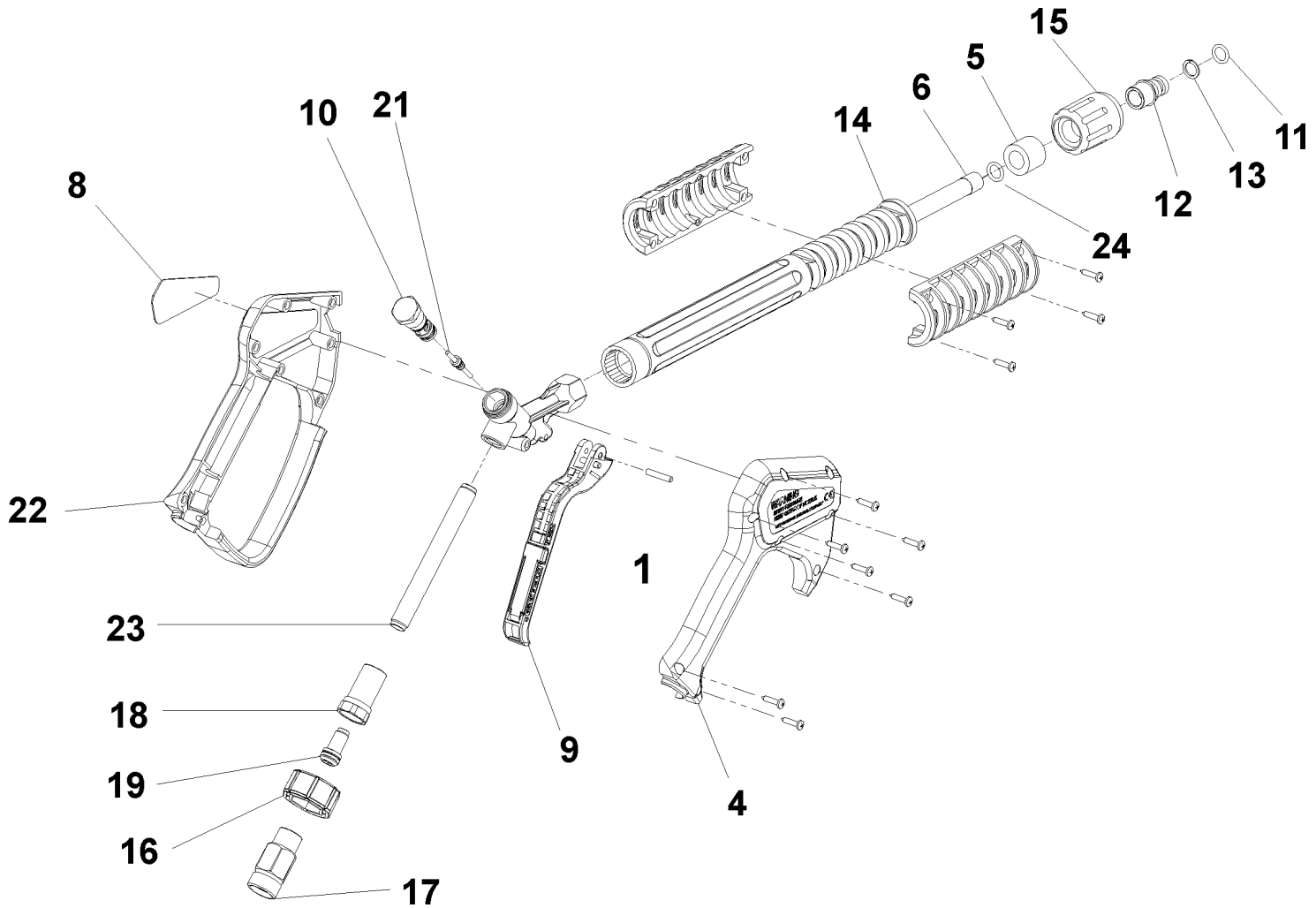
Ref. K	Part N.	Customer Part N.	Description	Qty	Validity:		Price
					From	To	
0097	GUGO27294		GASKET MOT.ELD 87X 87	1,00	09/2007		--
0098	LAFN40129		PROTECTION P237-X3 INX	1,00	10/2008		--



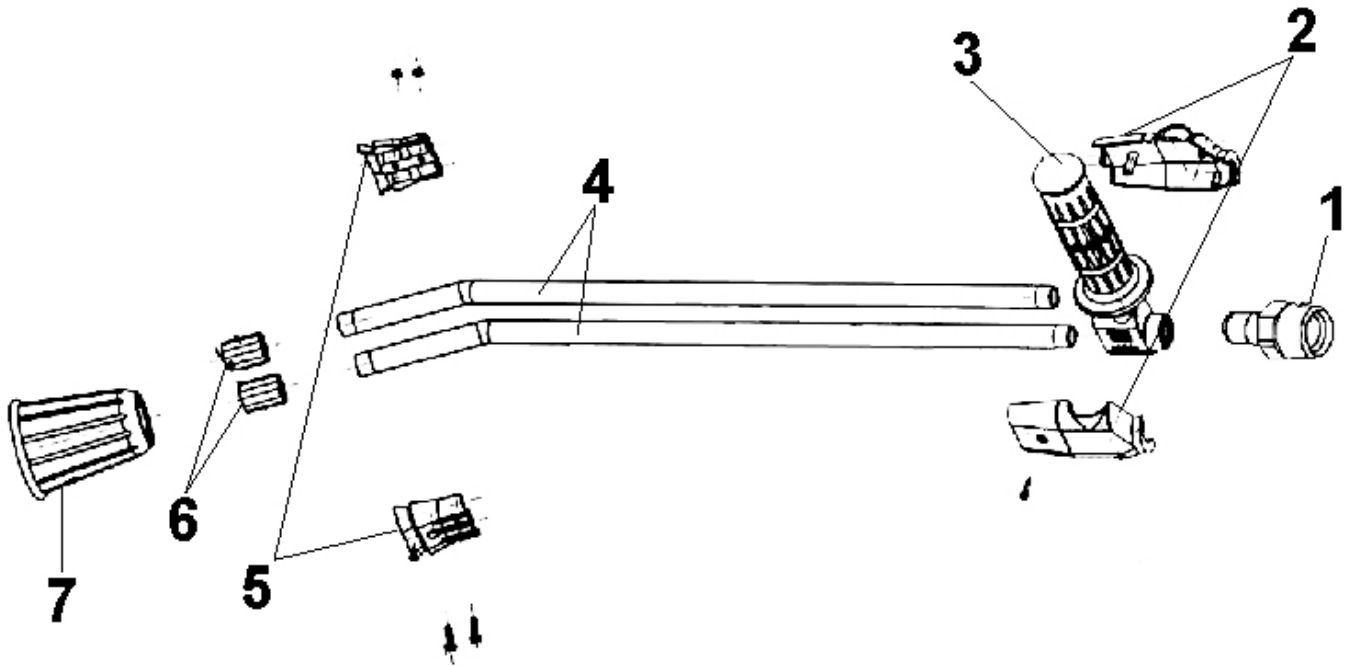
Ref.	K	Part N.	Customer Part N.	Description	Qty	Validity:		Price
						From	To	
K		METT48488		CONTACTOR SIE 3RT 1025 1AL20 230V	1,00			--
S		MEPF39924		PRESSURE SWITCHSLV N.A. 16(6)A XGA 2	1,00			--
IG		MECI37646		MICROSWITCH XGA2-88 16(6)A	1,00			--
TM		METY89836		TIMER THV/1+OPTO 220V 5/60 30S	1,00			--
CV1		MECB40010		CABLE H07 RNF 3X2.5 L=10.00	1,00			--



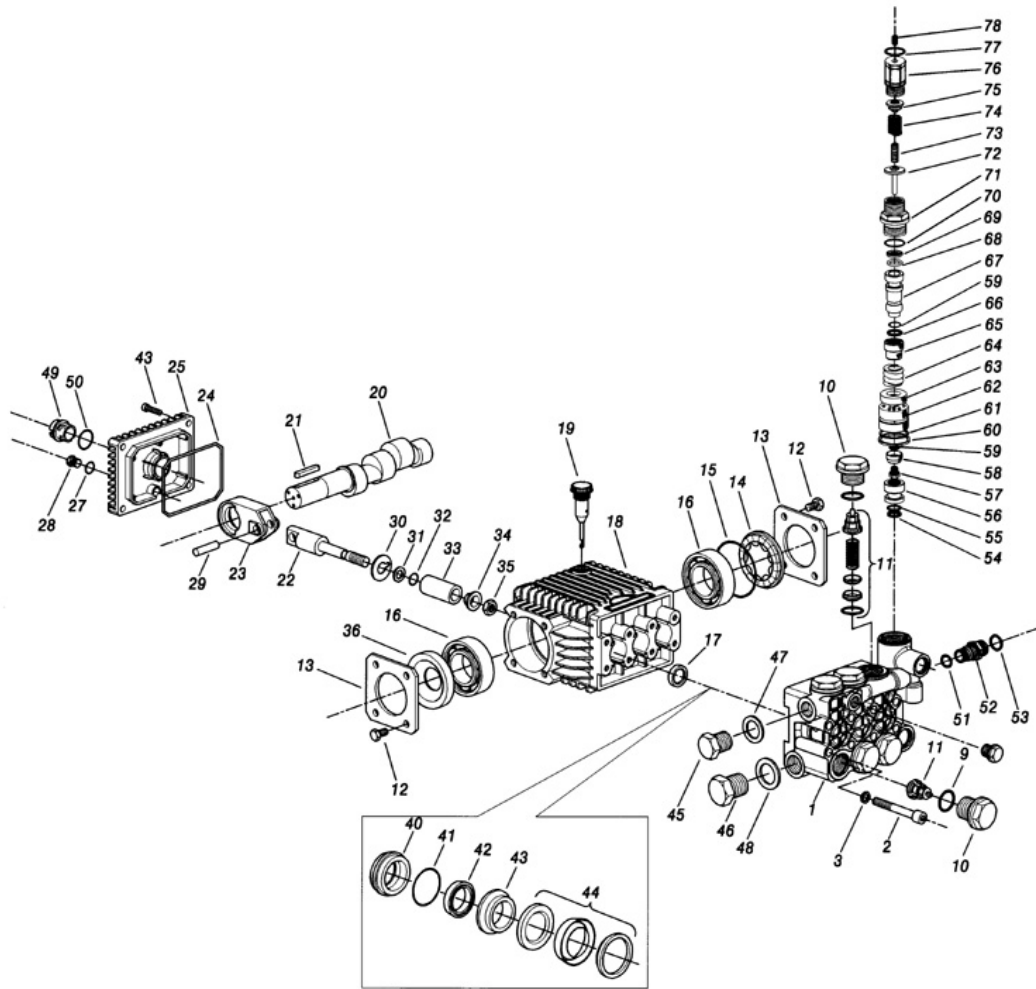
Ref. K	Part N.	Customer Part N.	Description	Qty	Validity:		Price
					From	To	
0001	RCDS59682		CAP G 1/8 CN	1,00			--
0002	MLML47996		SPRING D. 5.5	1,00			--
0003	PVVR40014		HOSE FITTING P237-MV	1,00			--
0004	UGEI40001		NOZZLE D. 1.8 MV OT.	1,00			--
0005	PVVR47994		BALL SEAT MV 625	1,00			--
0006	PVVR47995		METERING. BODY MV 625 GIR.	1,00			--
0007	PVVR40015		METERING. BODY G1/2 P237	1,00			--
0008	GUGO01058		O-RING D. 17.17 X 1.78 NBR 70SH	2,00			--
0009	VTAE06193		CIRCLIP D. 20 UNI 7435	1,00			--
0010	SFVR04274		BALL D. 7/32	1,00			--



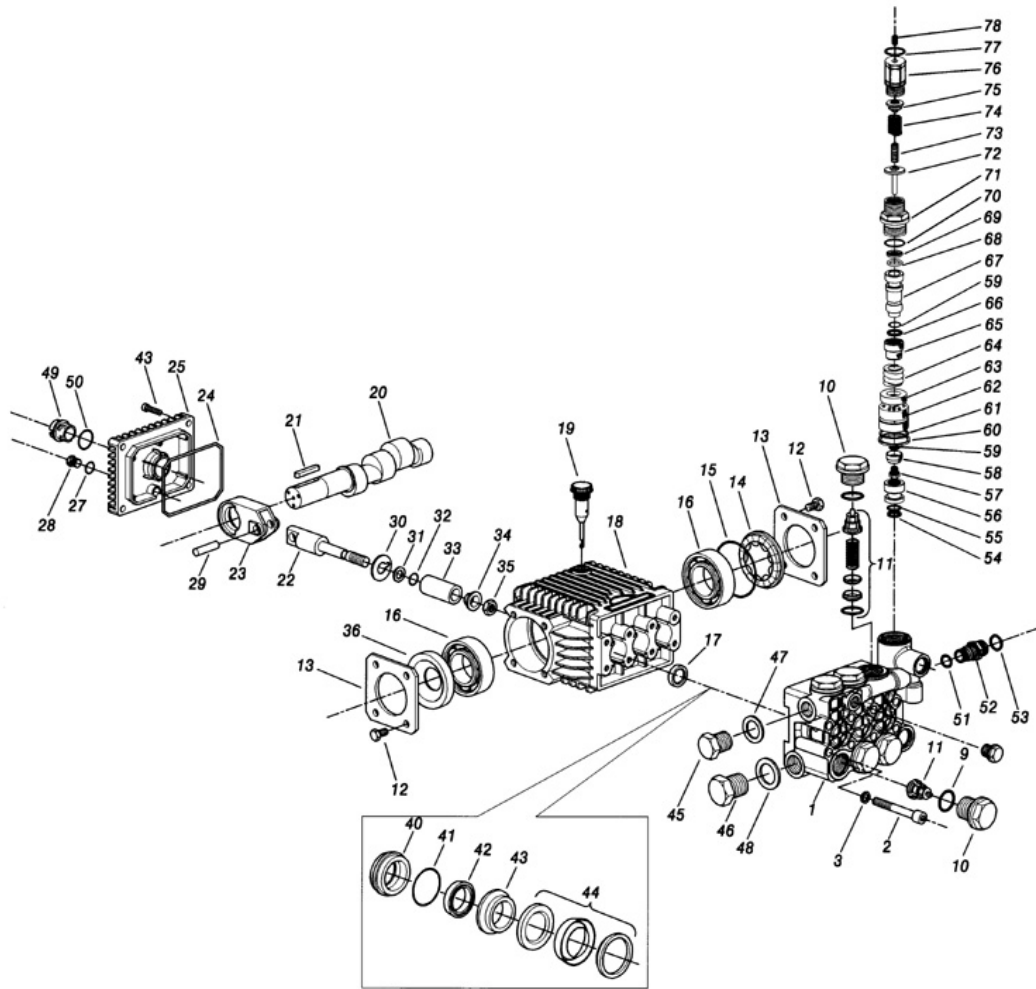
Ref.	K	Part N.	Customer Part N.	Description	Qty	Validity:		Price
						From	To	
0001		VTVR46568		PLUG G 4500	1,00			--
0004		MPVR40157		COVER G 4500 2V.	1,00	05/2008		--
0004		MPVR46563		COVER G 4500	1,00		04/2008	--
0005		MPVR46572		SPACER P 330 ST	1,00			--
0006		LCPR40007		TUBE 1/4 L=352 ZC. 2V.	1,00	05/2008		--
0006		LCPR46571		TUBE 1/4 L=352 ZC.	1,00		04/2008	--
0008		MPVR46569		PLATE G 4500 RD.	1,00			--
0009		MPVR40057		TRIGGER G 4500 -SW	1,00			--
0010		PVVR40030		SMALL PISTON TM ST-2300	1,00			--
0011		GUGO10384		O-RING D. 10 X 2.2 VIT 80SH	1,00			--
0012		RCVR13030		GUDGEON G 1/4 F L=31.5	1,00			--
0013		GUVR10526		ANTI-EXTR.RING D.13.9X10.2 C.BZ	1,00			--
0014		MPVR46570		PROTECTION P 330 ST	1,00			--
0015		PVVR13445		CONNECTION M 22X1,5 L=45	1,00			--
0016		MPVR40058		RING NUT G4500 SW.	1,00			--
0017		RCIN40001		JOINT SWIV 4500 3/8"F	1,00		04/2008	--
0017		RCIN40005		JOINT SWIV 4500 3/8"F 2V.	1,00	05/2008		--
0018		RCIN31641		CONNECTOR SWIV 1500 F	1,00			--
0019		KTRI31645		KIT P 26- 14	1,00			--
0021		PVVR40031		ROD ST-2300	1,00			--
0022		MPVR40156		SHELL G 4500 2V.	1,00	05/2008		--
0022		MPVR46562		SHELL G 4500	1,00		04/2008	--
0023		PVVR40023		TUBE G 1/4" M/M P/SW.	1,00			--
0024		GUGO27021		O-RING D. 11 X 2.5 EPD 70SH	1,00	05/2008		--



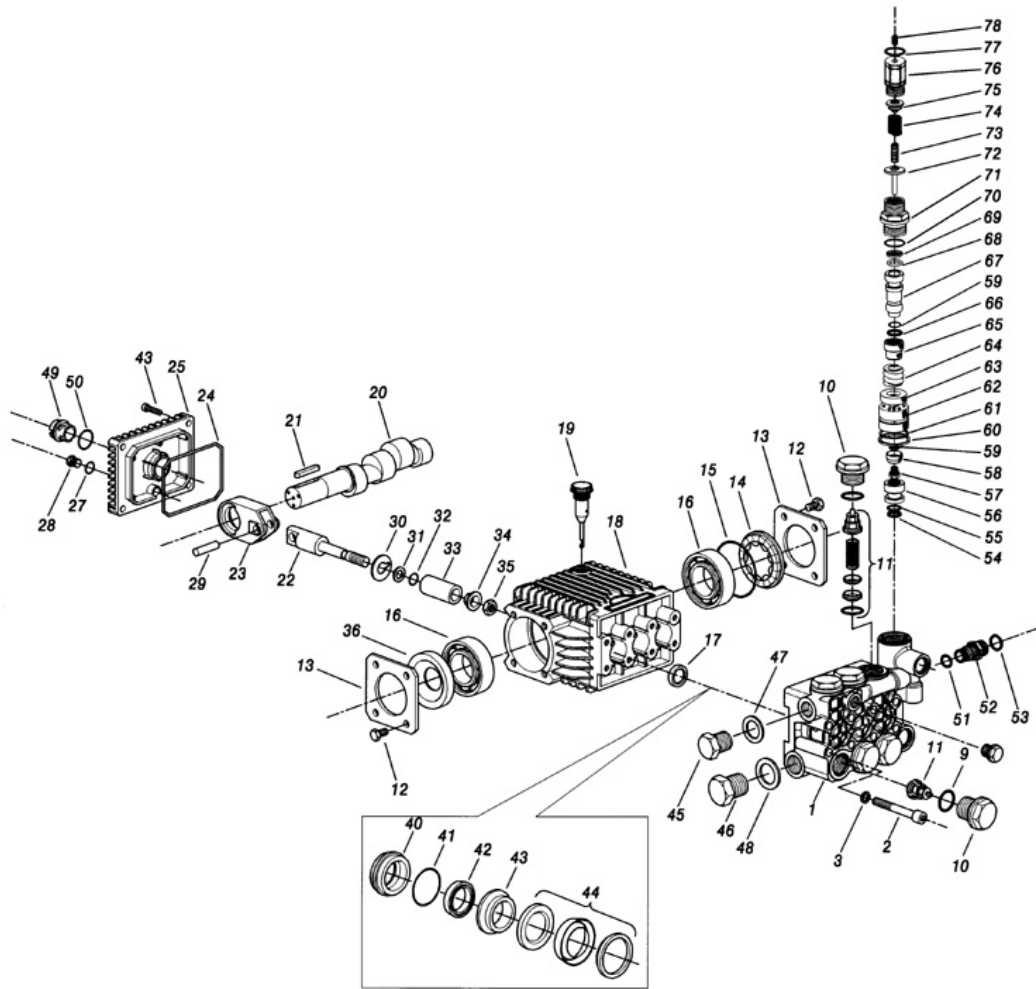
Ref. K	Part N.	Customer Part N.	Description	Qty	Validity:		Price
					From	To	
0001	PVVR45296		COUPLING G 1/4M -M22 M +PR.PLS	1,00			--
0002	MPVR45214		PROTECTION TB.1/4 MTM	1,00			--
0003	RCGR45737		TAP 1/4 F LD MTM	1,00			--
0004	LCPR45740		TUBE 1/8 L=660 INOX MTM	2,00			--
0005	MPVR45001		SHELL LD MTM	1,00			--
0006	RCVR45741		NOZZLE HOLDER 1/4-1/8 F MTM	2,00			--
0007	PVVR43810		PROTECTION L.D. MTM	1,00			--



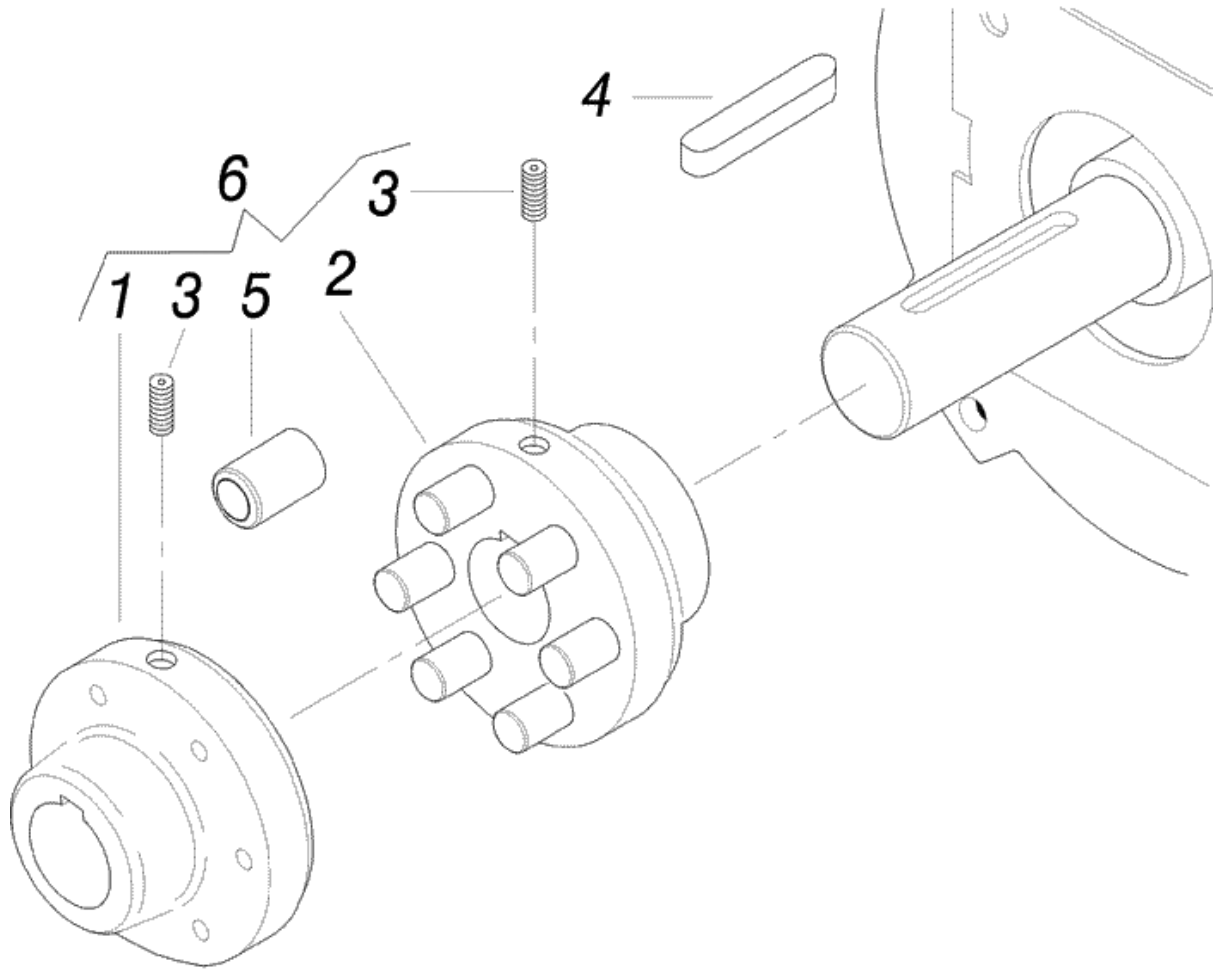
Ref.	K	Part N.	Customer Part N.	Description	Qty	Validity: From To	Price
0001		MFVR46812		HEAD "63" D.15 V.INT.TS OT	1,00		--
0002		VTVT46018		SCREW TCEI M 8X 65 UNI 5931 TRP	8,00		--
0003		VTRS14242		WASHER D. 8.4X13X0.8 UNI7064 SCH	8,00		--
0009	S	GUGO19395		O-RING D. 20.24 X 2.62 NBR 70SH	6,00		--
0010	S	RCDS28466		CAP M24X1.5X17 "44"	6,00		--
0011	S	VVAM28467		VALVE UNIT "44" WW136-186	6,00		--
0012		VTVT01109		SCREW TE M 6X 10 ZC. UNI 5739	8,00		--
0013		MFVR03562		CRANKASE COVER W 70	2,00		--
0014		MFVR28454		SPACER "44"	1,00		--
0015		GUGO01040		O-RING D. 55.56 X 3.53 NBR 70SH	1,00		--
0016		CUVR09654		BALL BEARING 6305	2,00		--
0017	S	GUGO46019		OIL SEAL 18X 26X 6 -L.CM -NBR70SH	3,00		--
0018		MFVR46020		PUMP CRANKCASE "63"	1,00		--
0019		PVVR01089		OIL DIPSTICK W 70	1,00		--
0020		ALMO46021		SHAFT "63" N C.12 D.24	1,00		--
0021		VTVR45821		KEY 8X 7X22 UNI 6604	1,00		--
0022		PVVR46022		PISTON GUIDE "63"	3,00		--
0023		BLVR46023		CONNECTING ROD "63"	3,00		--
0024		GUGO18695		O-RING D. 101.27 X 2.62 NBR 70SH	1,00		--
0025		MFVR46024		CRANKASE COVER "63"	1,00		--
0026		VTVT01114		SCREW TCEI 6X14 UNI 5931	4,00		--
0027		GUGO01036		O-RING D. 10.82 X 1.78 NBR 70SH	1,00		--
0028		RCDS01088		CAP 1/4X 9 M WW90	2,00		--
0029		PVVR46025		GUDGEON D. 9X27,5 "63"	3,00		--
0030		VTRS46026		WASHER D. 9X25X0,5 "63"	3,00		--
0031		GUVR10257		ANTI-EXTR.RING WW161	3,00		--
0032		GUGO10464		O-RING D. 5.28 X 1.78 NBR 70SH	3,00		--
0033		PIVR09319		PISTON D.15 TURBO 14.160	3,00		--
0034		VTRS46027		WASHER D. 8 C/CLL.	3,00		--
0035		VTDD04284		NUT M8X1,25 X13X5 S2 INX	3,00		--
0036		GUGO28465		OIL SEAL 25X 62X10 NBR70	1,00		--
0040	S	PVVR46816		PACKING RETAIN.D. 15 "63"	3,00		--
0041	S	GUGO01263		O-RING D. 28.30 X 1.78 NBR 70SH	3,00		--
0042	S	GUVR46113		PACKING D. 15 L.P. "63"	3,00		--
0043	S	PVVR46817		INTERMED. RING D. 15 "63"	3,00		--
0044	S	GUVR46112		PACKING D. 15 H.P. "63"	3,00		--
0045		RCDS01090		CAP 3/8X13 M WW90	1,00		--
0046		RCDS01091		CAP 1/2X10 M	1,00		--
0047		VTRS01074		WASHER D.17,05X22,3 X1,5	1,00		--



Ref.	K	Part N.	Customer Part N.	Description	Qty	Validity:		Price
						From	To	
0048		VTRS01075		WASHER D.21,5X27 ALL	1,00			--
0049		PVVR46032		OIL INDICATOR S."63"	1,00			--
0050		GUGO01044		O-RING D. 26.58 X 3.53 NBR 70SH	1,00			--
0051		GUGO19194		O-RING D. 11.11 X 1.78 NBR 70SH	1,00			--
0052		PVVR46785		CONNECTOR TS "63" VALV.H	1,00			--
0053		GUGO09720		O-RING D. 14 X 1.78 NBR 70SH	1,00			--
0054	S	GUVR11651		ANTI-EXTR.RING D. 10.6X15X2	1,00			--
0055	S	GUGO03501		O-RING D. 9.92 X 2.62 VIT 70SH	1,00			--
0056	S	PVVR12887		VALVE SEAT CONTROL SET W1	1,00			--
0057	S	VTVT18667		SCREW M 5X0,8X7,5	1,00			--
0058	S	PVVR18668		VALVE CLT	1,00			--
0059	S	GUGO03497		O-RING D. 6.75 X 1.78 VIT 80SH	2,00			--
0060	S	GUVR28469		ANTI-EXTR.RING D.22 X25X1,5	1,00			--
0061	S	GUGO08182		O-RING D. 21.91 X 1.78 NBR 70SH	1,00			--
0062	S	PVVR28470		VALVE GUIDE "44"	1,00			--
0063	S	PVVR28471		VALVE "44"	1,00			--
0064	S	MLML28472		SPRING D. 18.5 X11 "44"	1,00			--
0065	S	PVVR28473		SPACER "44"	1,00			--
0066	S	GUVR04309		ANTI-EXTR.RING HM	1,00			--
0067	S	PVVR28474		CONTROL PISTON "44"	1,00			--
0068	S	GUGO01946		O-RING D. 9.13 X 2.62 VIT 70SH	1,00			--
0069	S	GUVR01940		ANTI-EXTR.RING D. 9,5X14X1,5	1,00			--
0070		GUGO01037		O-RING D. 23.81 X 2.62 NBR 70SH	1,00			--
0071		PVVR28475		BUSHING "44"	1,00			--
0072		PVVR28476		SPRING PLATE "44" INF.	1,00			--
0073		MLML28477		SPRING D. 7.6 X29 "44"	1,00			--
0074		MLML11655		SPRING D.15X35	1,00			--
0075		PVVR11656		SPRING PLATE W1	1,00			--
0076		PVVR18672		REGISTER COLT	1,00			--
0077		GUGO01057		O-RING D. 20.35 X 1.78 NBR 70SH	1,00			--
0078		VTVT20196		SCREW EI-ST 8X20 UNI5923	1,00			--



Ref. Part N.	Cust. Part N.	Description	Reference	Price
KTRI28508	KIT P	15-123	0011	--
KTRI28510	KIT P	15-124	0009 0010	--
KTRI28526	KIT P	137	0054 0055 0056 0057 0058 0059 0060 0061 0062 0063 0064 0065 0066 0067 0068 0069	--
KTRI46033	KIT P	15-159	0017	--
KTRI46111	KIT P	15-166	0040 0041 0042 0043 0044	--
KTRI46818	KIT P	15-160	0042 0044	--
KTRI46819	KIT P	15-162	0040	--
KTRI46820	KIT P	15-164	0043	--



Ref. K	Part N.	Customer Part N.	Description	Qty	Validity:		Price
					From	To	
0001	FGGT46926		HALF COUPLING W1	1,00			--
0002	FGGT40000		HALF COUPLING W1 MOT.	1,00			--
0003	VTVT76580		SCREW M 8X 10 EI ST UNI 5929 Z	2,00			--
0004	VTVR45821		KEY 8X 7X22 UNI 6604	1,00			--
0005	FGGT04612		BUSHING IP	6,00			--
0006	FGGT45424		FLEX. COUPLING W 1 2PZ. P176	1,00			--