



IPC Integrated Professional Cleaning

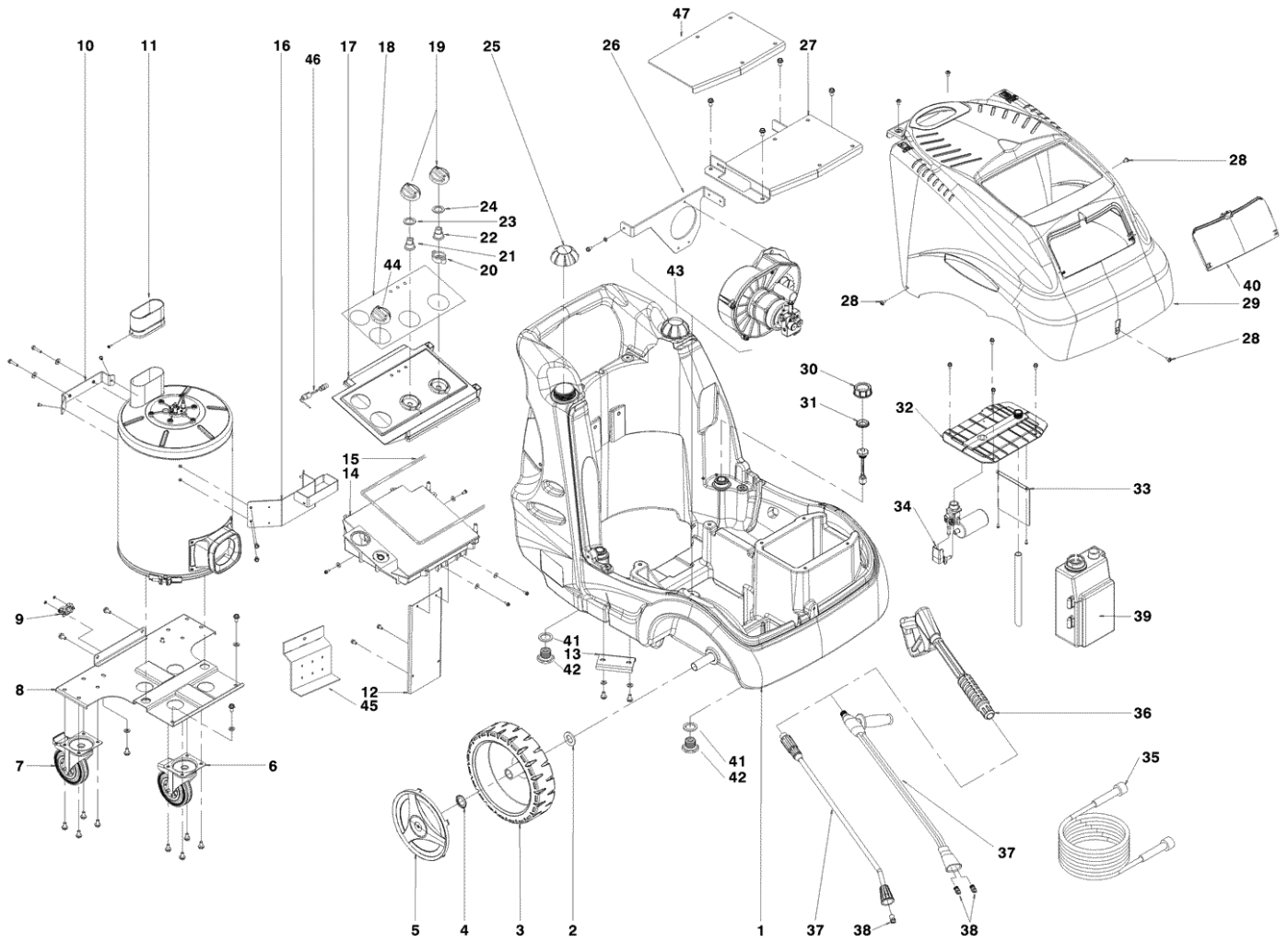
IPCPortotecnica

Spare Parts List

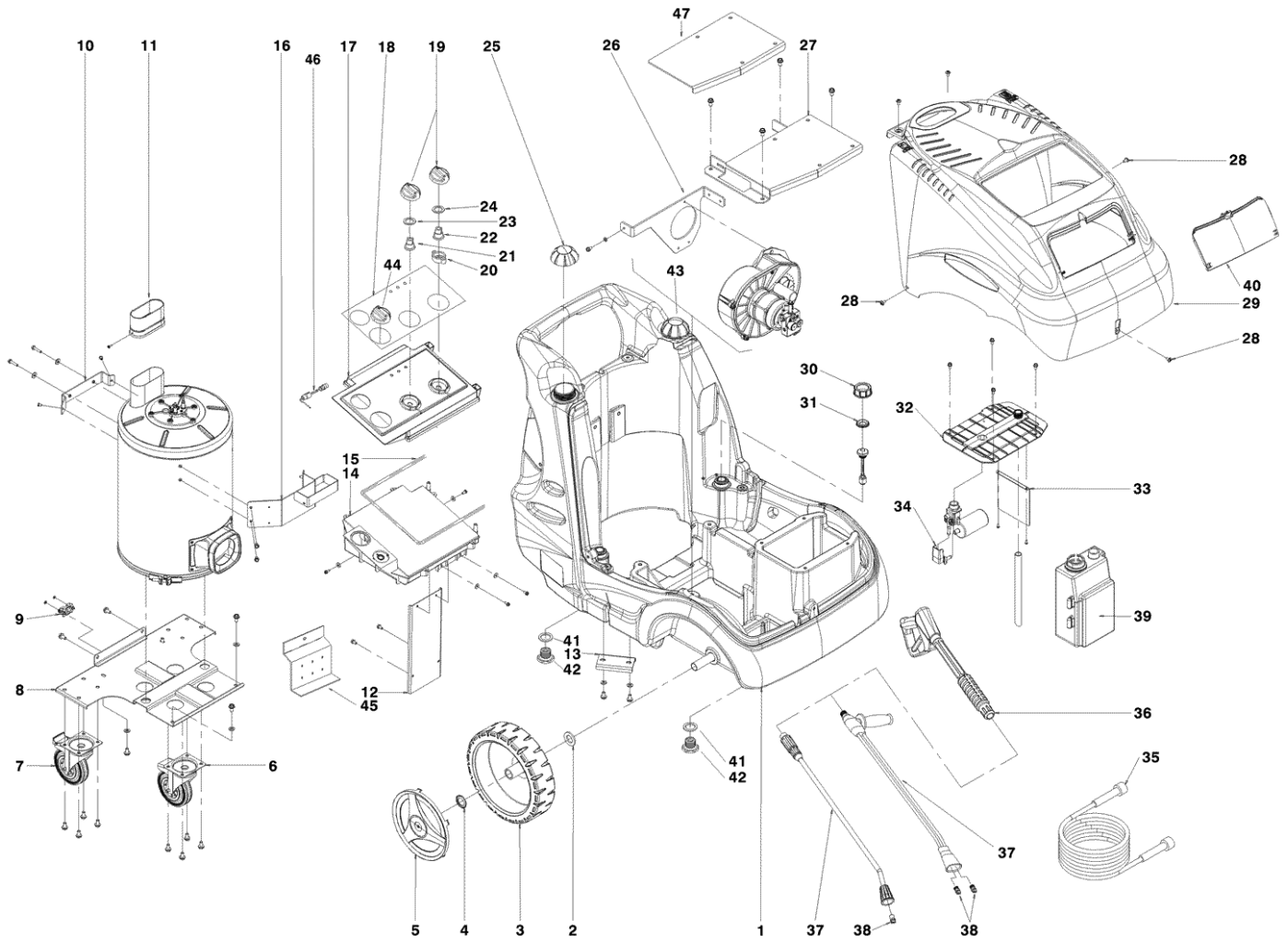
IPC EAGLE

Ref: IDAC40019

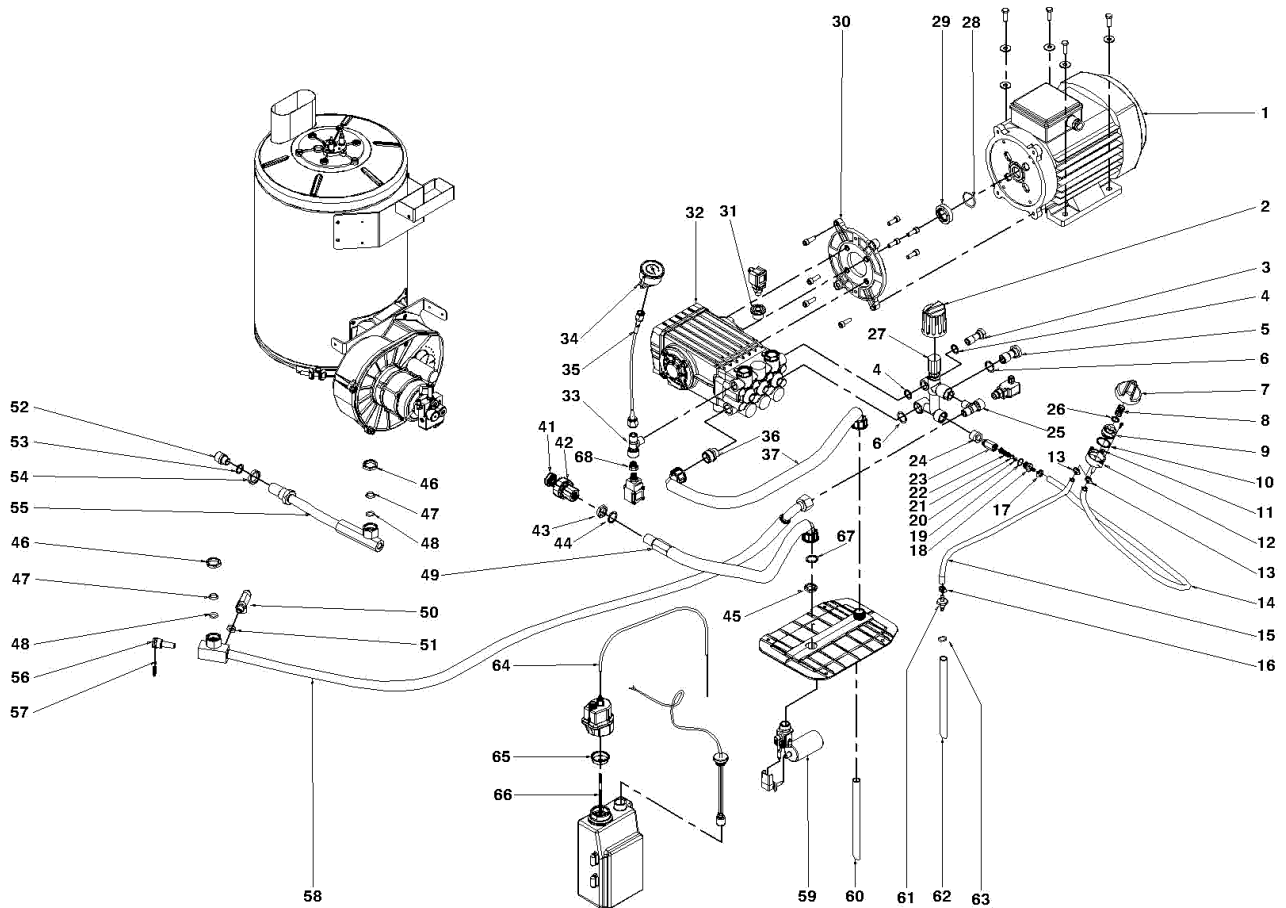
Model: IDROP SYNC PL.DS 2060 M 230/60 3-01P60



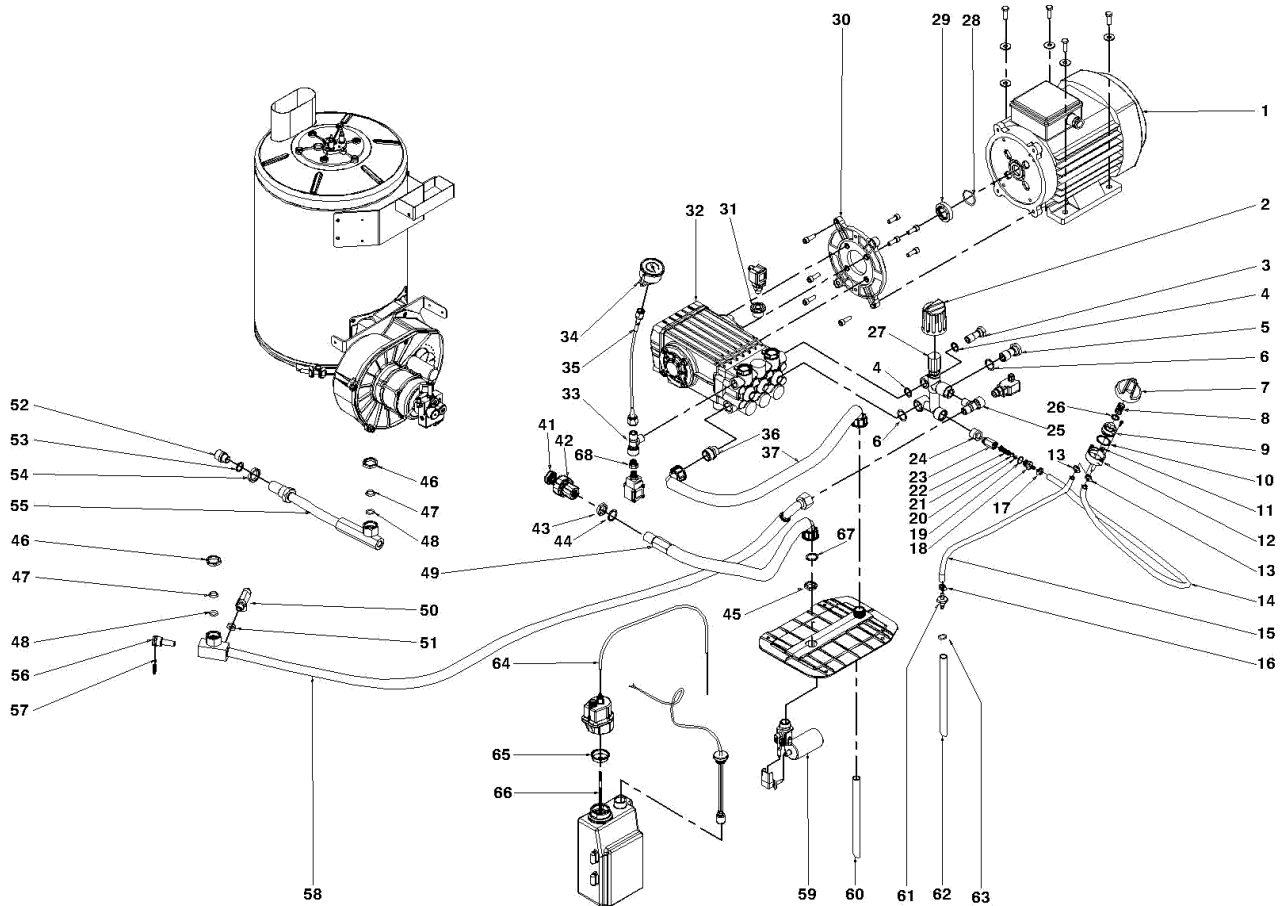
Ref.	K	Part N.	Customer Part N.	Description	Qty	Validity: From To	Price
0001		MPVR88370		CHASSIS P245 C.SB. PEHD BK.	1,00		--
0002		VTRS73055		WASHER D.44x26x4	2,00		--
0003		RTRT45383		WHEEL D.305-D.25 RT-IPC	2,00		--
0004		VTRS09813		WASHER D.25	2,00		--
0005		MPVR45384		RED WHEEL COVERD. 305 RT-PRT	2,00		--
0006		RTRT07480		TURNING WHEEL D.125 P. MZ.PLS.	1,00		--
0007		RTRT13708		TURNING WHEEL D.125 P. MZ.PLS	1,00		--
0008		LAFN88413		BRACKET P245 BK.	1,00		--
0009		MEVR33994		CABLE FASTNER 4228 B D. 6- 18	1,00		--
0010		LAFN88638		BRACKET P245 BK.	1,00	11/2004	--
0011		LAFN43244		CHIMNEY EXTENS.KSM H.70 INX	1,00		--
0012		LAFN88407		SUPPORT BRACKETP245 ZC	1,00		--
0012		LAFN40126		SUPPORT BRACKETP245/40M ZC.	1,00	01/2009	--
0013		LAFN88491		REINFORCEMENT P245	2,00		--
0014		MPVR33248		CONTROL BOX MISTRAL PP	1,00		--
0015		GUGO11309		JOINT MOUSSE D. 3	1,20		--
0016		LAFN88417		SUPPORT P245 ZC.	1,00		--
0017		MPVR40023		BOX COVER MISTRAL C/F.MN.BK	1,00		--
0019		MPVR20190		GREY KNOB KSM	2,00	11/2007	--
0019		MPVR46511		GREY KNOB KSM C/F.FIS.	2,00	11/2007	--
0020		MPVR41903		THICKNESS TERM.IM.PA66	1,00		--
0021		MPVR23484		TAIL PIECE THERM.KSM TUV	1,00		--
0022		MPVR23482		TAIL PIECE TEC. TUV	1,00		--
0023		GUGO23079		V-SEAL RING VA0014 13.5- 15.5	1,00		--
0024		GUGO25527		O-RING D. 14 X 3 NBR 70SH	1,00		--
0025		MPVR45426		TANK CAP P176 PEHD	1,00		--
0026		LAFN88404		HOSE WIND.BRACKP245 ZC.	1,00	10/2008	--
0027		LAFN89126		MOTOR SUPPORT P245 H.112 ZC.	1,00	09/2005	--
0027		LAFN89125		MOTOR PLATE P245 H.112 ZC.	1,00	09/2005	--
0028		VTVR85510		HANDWHEEL M 6MAX16 D.22	5,00		--
0029		MPVR89199		RED COVER P245 PPL	1,00	02/2006	--
0031		MPVR88374		RING ROLLER	1,00		12/2008
0031		RCDS40048		CAP M42X 2 F PVC	1,00	01/2009	--
0031		RCVR88384		CONNECTION G. 3/4 P.P.G. D.15 PPL	1,00		12/2008
0032		MPVR88418		TANK COVER P245 PA6 BL.	1,00		--
0033		LAFN88405		PANEL P245 INX	1,00		--
0034		MPVR88419		ADAPTER H120 /H110	1,00	07/2005	--
0036		IPPR89429		GRIP G 4500 - P.330 -M22SW.M V	1,00		--
0037		LCPR12983		DOUBLE EXTENS. PD 70	1,00		--



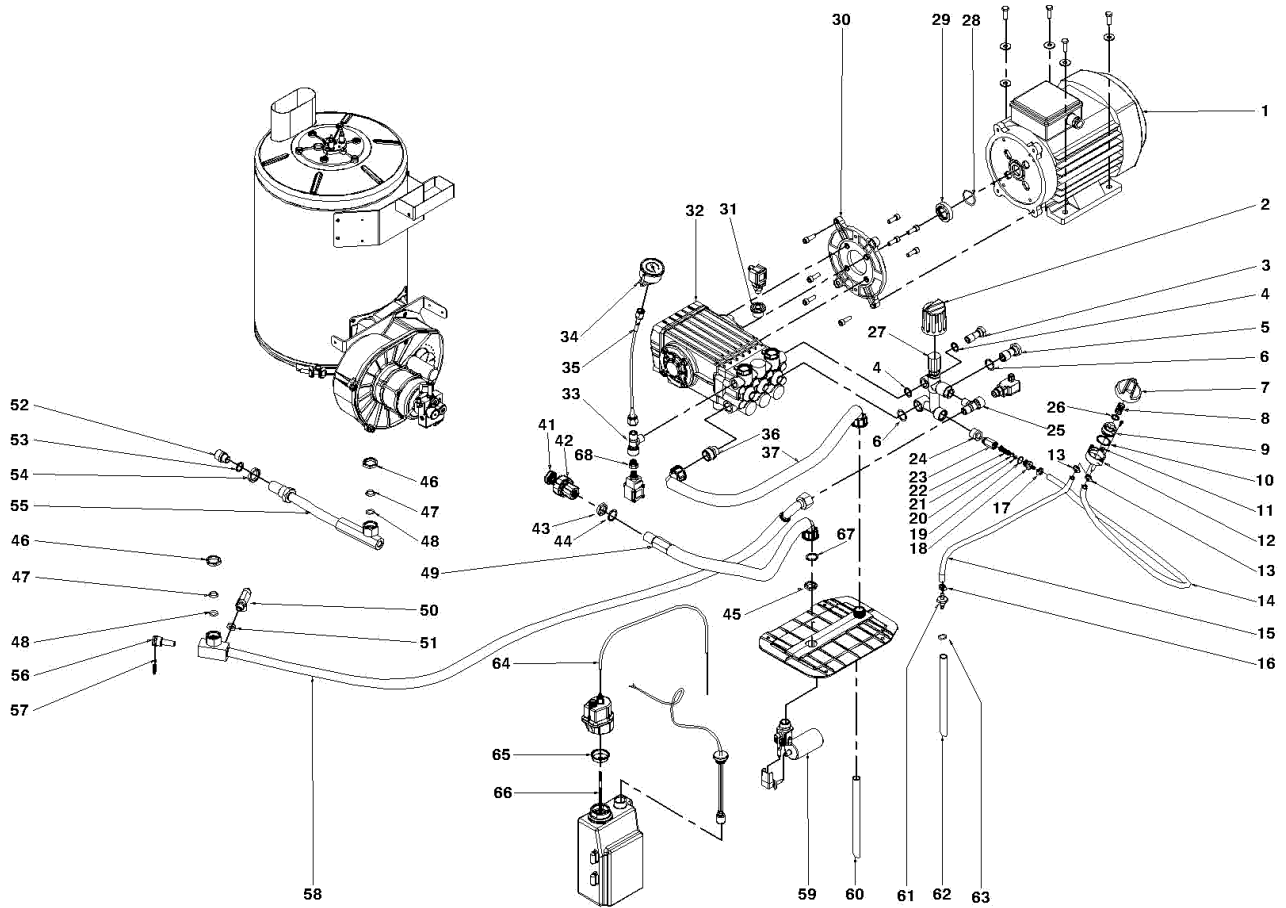
Ref. K	Part N.	Customer Part N.	Description	Qty	Validity:		Price
					From	To	
0038	UGLN49993		NOZZLE LECH 1/4 25055	2,00			--
0039	MPVR20903		TANK KSM	1,00			--
0040	MPVR89194		RED THROTTLE P245 PPL	1,00	02/2006		--
0041	GUGO74674		O-RING D. 34.52 X 3.53 NBR 70SH	3,00			--
0042	RCDS88468		CAP 3/4 M E.I. CH.6 H.24 P245	3,00			--
0045	LAFN40014		SUPPORT MOT. H112 ZC.	1,00			--
0046	MEVR27264		FUSE-HOLDER 031-1081	3,00			--



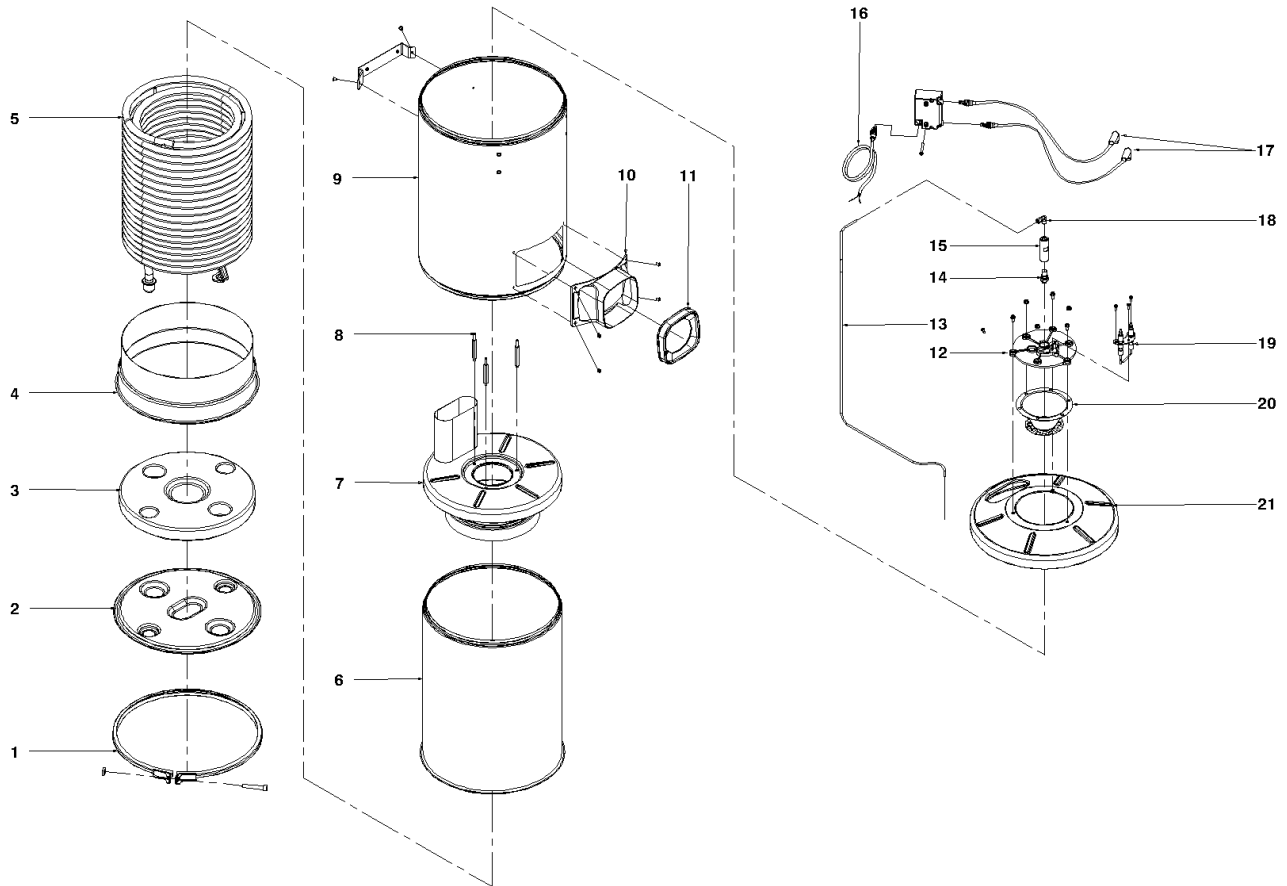
Ref.	K	Part N.	Customer Part N.	Description	Qty	Validity:		Price
						From	To	
0001		MOMO40003		1PH MOTOR A.CAVO HP 5 220/60 C.ED	1,00			--
0002		MPVR09436		BLACK KNOB ST 260	1,00			--
0003		RCDS12495		SCREW G 3/8 L=48.5	1,00	07/2005		--
0004		VTRS12492		WASHER 3/8	2,00			--
0005		RCDS12486		SCREW G 1/2 L=48.5	1,00			--
0006		VTRS12491		WASHER 1/2	2,00			--
0007		MPVR20190		GREY KNOB KSM	1,00		11/2007	--
0007		MPVR46511		GREY KNOB KSM C/F.FIS.	1,00	11/2007		--
0008		MLML08068		SPRING D.1,5 L.23	1,00			--
0009		RCGR08070		ADJUSTER PRT	1,00			--
0010		GUGO12183		O-RING D. 23.4 X 3.53 VIT 70SH	1,00			--
0011		GUGO08071		O-RING D. 4.48 X 1.78 NBR 70SH	1,00			--
0012		RCGR08069		TAP BODY DET. PRT	1,00			--
0013		FSVR00427		CLAMP D. 12 CLIC 66-110	2,00			--
0014		TBBP00051		DETERGENT HOSE D. 6-12	0,60			--
0015		TBBP00051		DETERGENT HOSE D. 6-12	0,70			--
0016		FSVR11197		CLAMP D.I. 11 13315	1,00			--
0017		FSVR00427		CLAMP D. 12 CLIC 66-110	1,00			--
0018		RCDS10546		VALVE SEAT 1/4M + PG. D.3-7.5 OTT	1,00			--
0019		GUGO01036		O-RING D. 10.82 X 1.78 NBR 70SH	1,00			--
0020		GUGO01055		O-RING D. 5.28 X 1.78 VIT 70SH	1,00			--
0021		SFVR04274		BALL D. 7/32	1,00			--
0022		MLML21505		SPRING D. 8 X5 X0.3	1,00			--
0023		RCDS46072		VALVE BODY N/R 1/4F-1/4 P176 OT	1,00			--
0024		RCVR02606		REDUCTION 1/2-1/4 M/F	1,00			--
0025		RCVR88378		CONNECTOR A T 3/8M 1/4F 3/8M-OT	1,00			--
0026		VTRS00542		WASHER D.14X20	1,00			--
0027		VVAZ46720		VALVE MV 625 W151 AC S/IN. REG.	1,00			--
0028		GUGO42285		O-RING D. 35 X 2.5 VIT.70SH	1,00			--
0029		RCDS34756		BUSHING IP W15 OT	1,00			--
0030		MFVR21735		COUNTERFLANGE MEC 112 2.V	1,00			--
0031		RCDS09059		CAP M24X2X16 + 1/4F OTT	1,00			--
0032		PPAP40007		PUMP GP TS1711 DX LT13 -170BAR	1,00	01/2007		--
0033		RCDS40589		CONNECTOR T 3/8M - 1/4 M/F OT.	1,00	07/2005		--
0034		MNMN49621		PRESSURE GAUGE 0-250 D.50 INOX	1,00			--
0035		TBAP04437		POLYAMIDE HOSE L=420 1/4-1/4 F-F	1,00		02/2007	--
0035		TBAP40006		POLYAMIDE HOSE L=420 1/4 F-F	1,00	03/2007		--
0036		RCDS88747		NIPPLE 3/4 - 1/2 CB D. 9.0	1,00			--
0037		TBBP88382		L.P. HOSE L=650 3/4F90° -3/4F90°	1,00			--



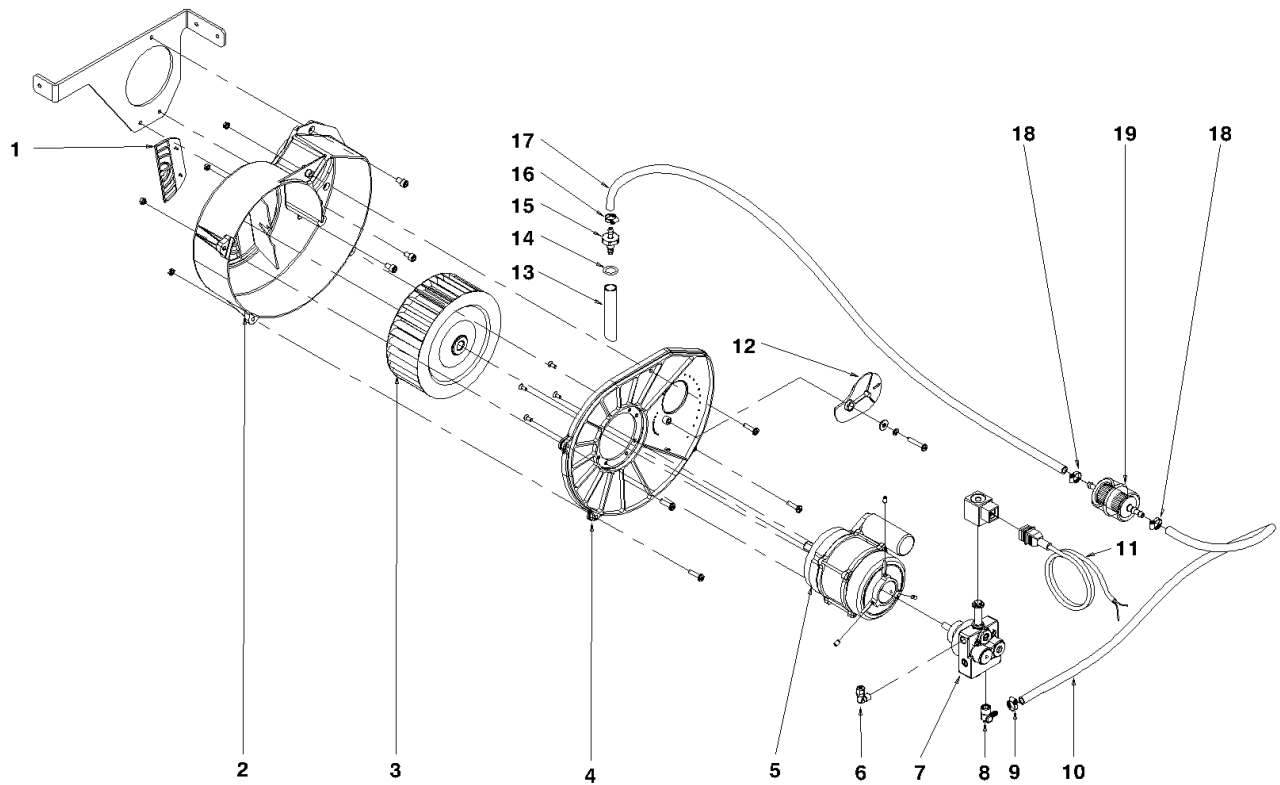
Ref.	K	Part N.	Customer Part N.	Description	Qty	Validity:		Price
						From	To	
0041		FTDT12702		FILTER PA	1,00			--
0042		PVVR11712		RING NUT 1/2 NPT	1,00			--
0043		RCDS49875		RING NUT 1/2" X 6 CH.27 OT.	1,00			--
0044		VTRS00549		WASHER D.21,5X27X1,5 (1/2) RM	1,00			--
0045		RCVR49974		RING NUT 3/4" X 4 NIK	1,00			--
0046		RCDS21120		RING NUT M 26 X 1,5	2,00			--
0047		GUVR21021		ANTI-EXTR.RING D. 21 X17 TEF.	2,00			--
0048		GUGO21222		O-RING D. 15.54 X 2.62 VIT 80SH	2,00			--
0049		TBBP88381		L.P. HOSE L=1150 3/4F90°-1/2M JM	1,00			--
0050		VVSC39719		VALVE MG 2000 G1/4M 150B MIGNON	1,00		11/2004	--
0050		VVSC47427		VALVE MG 1000 G1/4M-M D.8 250B	1,00	11/2004		--
0051		VTRS40960		WASHER D.13.5X19 X4 AL.	1,00			--
0052		RCIN09348		MALE COUPLING 3/8MA L=32	1,00			--
0053		VTRS00548		WASHER D.17,5X22X1,5 (3/8)RM	1,00			--
0054		RCDS21120		RING NUT M 26 X 1,5	1,00			--
0055	S	RCDS40045		CONNECTOR G 3/8F -M14 +M14X1.5 C.27	1,00	03/2009		--
0055	S	RCDS40041		CONNECTOR L=216 2X3/8M CN. ZC.	1,00	03/2009		--
0055	S	RCDS40043		CONNECTOR G 3/8F -3/8F CH.30	1,00	03/2009		--
0055	S	RCDS21118		CONNECTOR KSM	1,00	03/2009		--
0055	S	RCDS21119		NUT KSM	1,00	03/2009		--
0055		TBAP88380		HOSE-FITTING 3/ 8 R2 L=255 M26+3/8F-P.	1,00		02/2009	--
0056		RCDS00593		SUMP IM 0-120 L=50	1,00			--
0057		MLML02623		SPRING IMT	1,00			--
0058		TBAP88379		HOSE-FITTING 3/ 8 R2 L=900 3/8F90-PM26	1,00			--
0059		RCGR89343		FLOATER MTM 3/4 PP. S/F. +ADP.245	1,00	07/2005		--
0060		TBBP88372		L.P. HOSE D. 16- 20 L= 260 P245	1,00			--
0061		RCDS88373		HOSE FITTING 1/8 M D. 3- 7	1,00			--
0062		TBBP15347		L.P. HOSE D. 6- 8 RILSAN NT.	0,13			--
0063		GUGO01054		O-RING D. 15.08 X 2.62 NBR 70SH	1,00			--
0064		TBBP00058		L.P. HOSE D. 4- 6	0,60			--
0065		MPVR20904		CAP KSM	1,00			--
0066		TBBP00058		L.P. HOSE D. 4- 6	0,23			--
0067		GUGO89255		GASKET D. 17.5-24 X 2 EPDM	1,00	06/2005		--



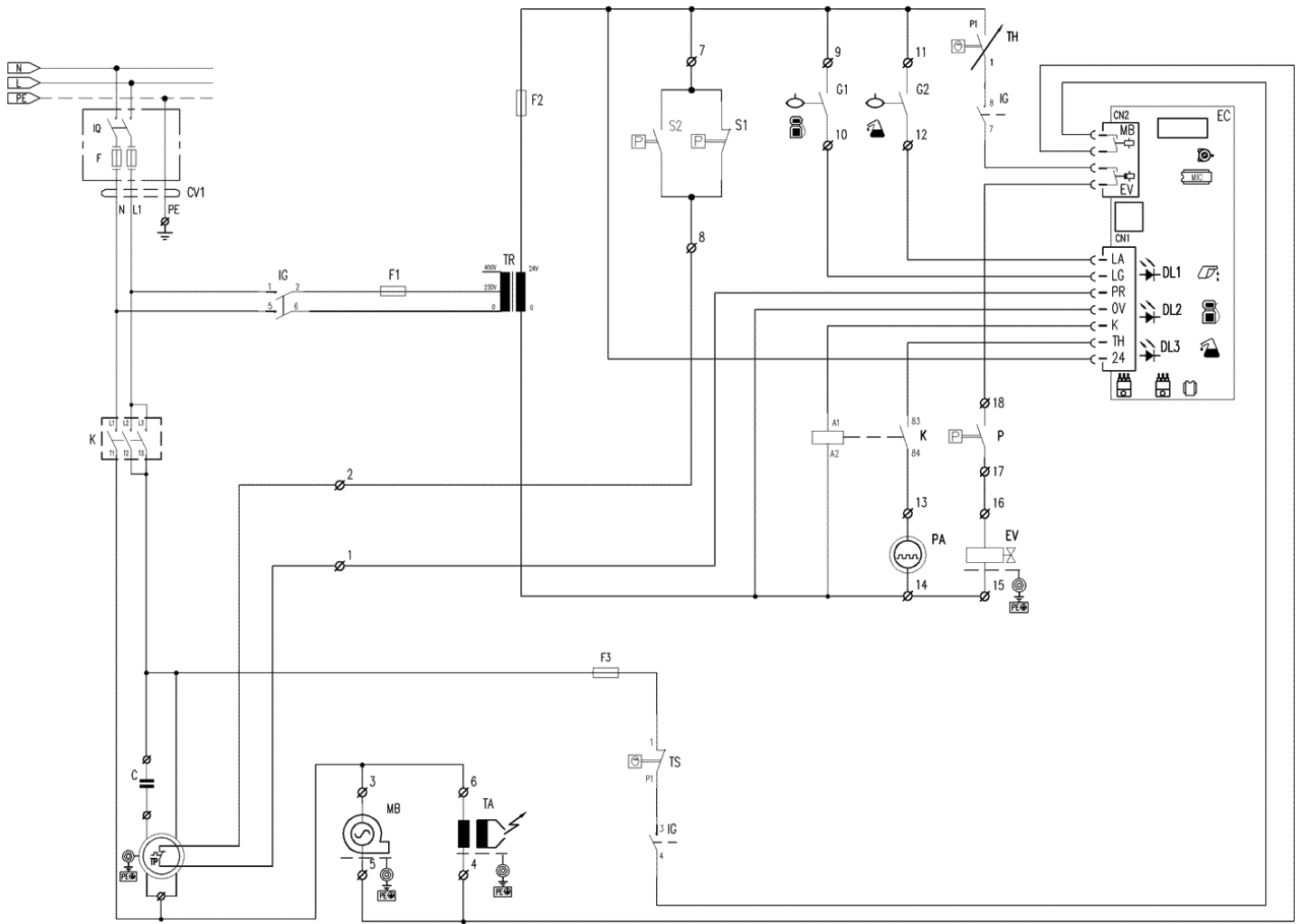
Ref. Part N.	Cust. Part N.	Description	Reference	Price
0055	KTRI40069	KIT PX 1- 42 HOSE 3/8 P245	0055 0055 0055 0055 0055	--



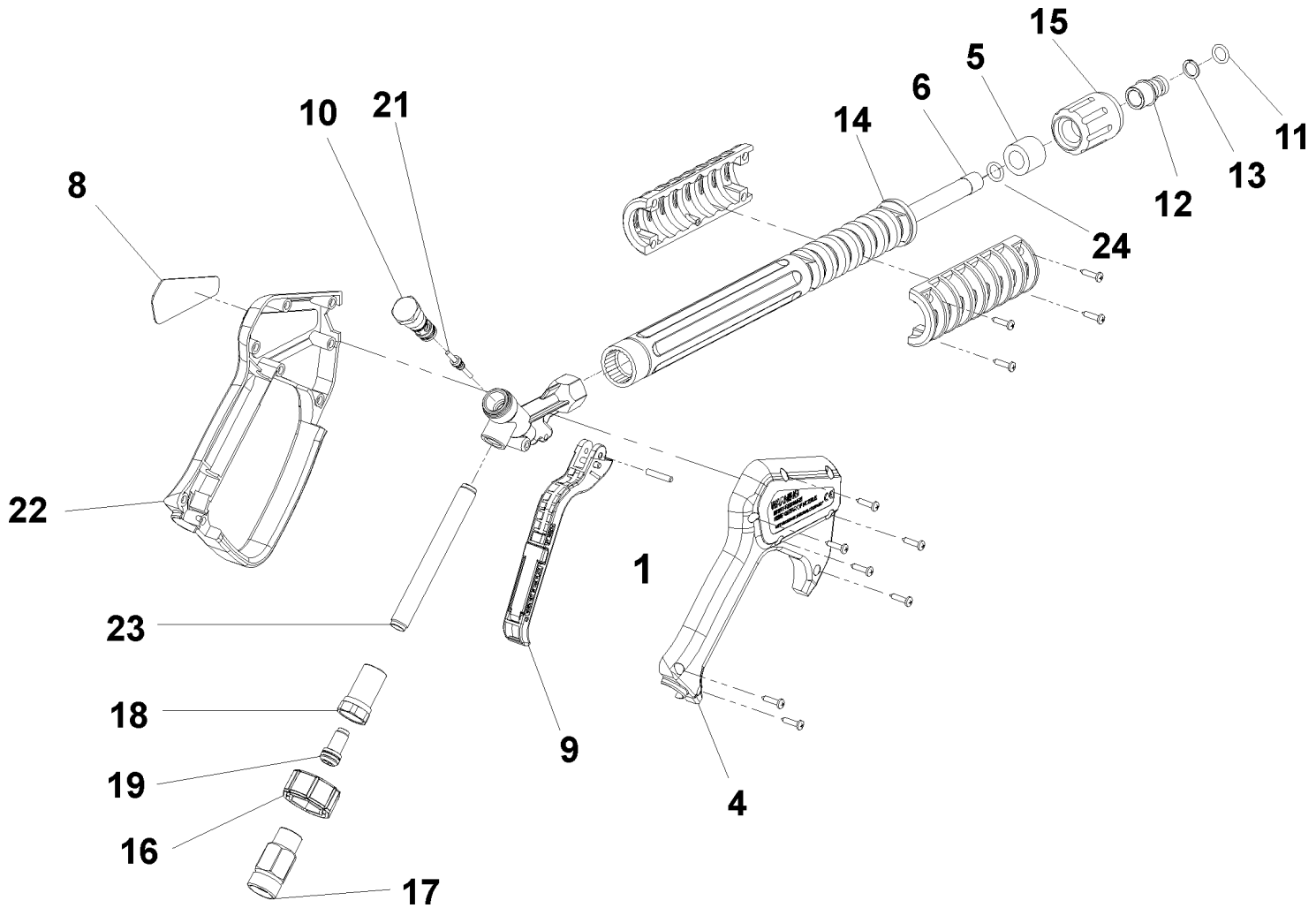
Ref. K	Part N.	Customer Part N.	Description	Qty	Validity:		Price
					From	To	
0001	LAFN40037		RING D.344 P176 ZN 2V.	1,00	07/2007		--
0001	LAFN44150		RING D.345 P176 ZN	1,00		06/2007	--
0002	LAFN44149		BOILER BOTTOM P176	1,00			--
0003	ITTE44175		BOTTOM P176 C.TE	1,00			--
0004	LAFN44151		BAND P176 INX	1,00			--
0005	LAFN44155		DOUBLE COIL M26X1.5 P176 30M	1,00			--
0006	LAFN46225		INT. CYLINDER P176 CP.INX	1,00			--
0007	LAFN44146		BOILER COVER SIP176 INX	1,00			--
0008	LAFN44159		PIN CH.10 X 75.7 M5M/M5M P176	3,00	05/2007		--
0008	LAFN44159		PIN CH.10 X 75.7 M5M/M5M P176	3,00		05/2007	--
0009	LAFN88430		EXT. CYLINDER P176-245 CP.	1,00			--
0010	MPVR88426		CONVEYOR P190 PA6 BK.	1,00			--
0011	GUGO88425		GASKET P245 EPDM	1,00			--
0012	MFVR44251		ELECTR.HOLDER P176	1,00			--
0013	TBCO40002		DIESEL HOSE P245 40MT D. 4 2V.	1,00	01/2009		--
0013	TBCO88427		DIESEL HOSE P245 30MT D. 4	1,00		01/2009	--
0014	UGBR22576		BURNER NOZZLE 1.35 60 S	1,00			--
0015	RCDS07642		NOZZLE HOLDER FUT	1,00			--
0016	MECB34463		CABLE BT L=800 SP.	1,00			--
0017	MECV35334		CABLE A.T. 9,8-23KOHM/M L= 400P	2,00			--
0018	RCVR08954		ELBOW 1/8"-4 B5	1,00			--
0019	MECA12525		ELECTRODE FUT	1,00			--
0020	LAFN44244		BAFFLE P176 30M INX	1,00			--
0021	LAFN44148		BOILER COVER SEP176 INX	1,00			--



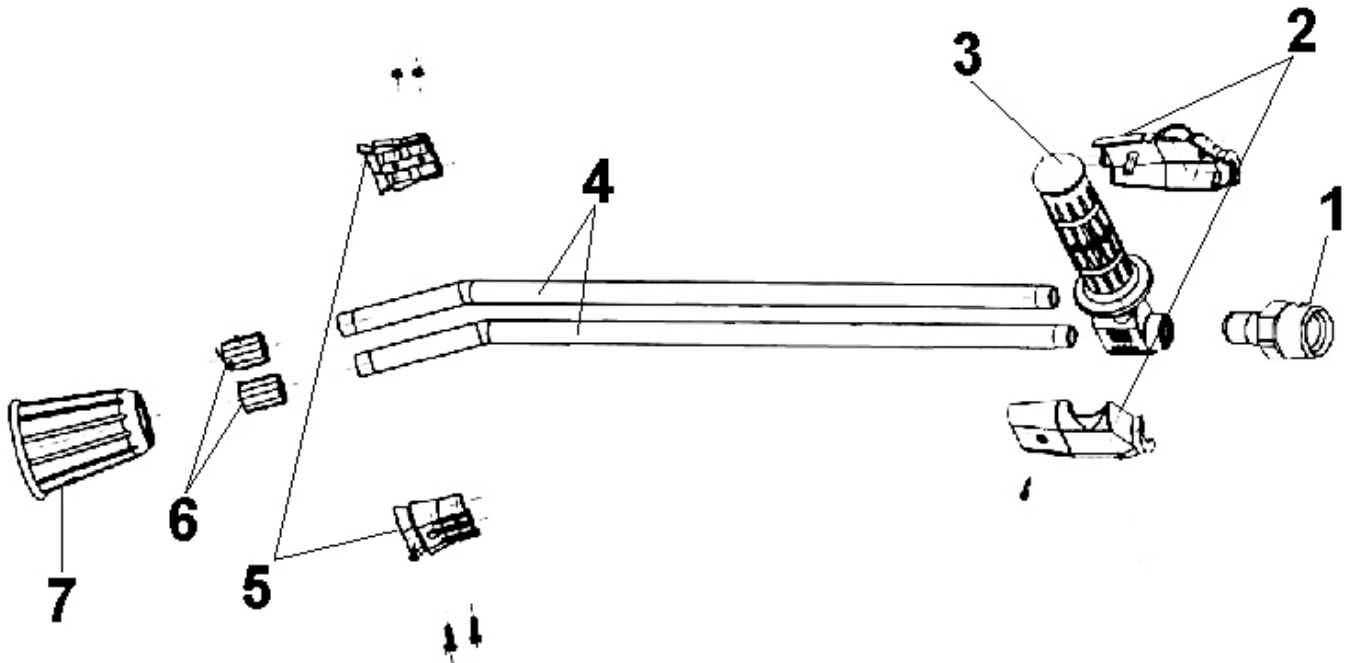
Ref. K	Part N.	Customer Part N.	Description	Qty	Validity: From	To	Price
0001	MPVR72988		PROTECTION NYL	1,00	10/2008		--
0002	MPVR88475		SCROLL P245 PA6 BK.	1,00	10/2008		--
0003	VEVR76220		IMPELLER 146 X 60	1,00	10/2008		--
0004	MPVR40609		VENTILATOR COV.	1,00	10/2008		--
0005	MOMB71422		BURNER MOTOR C/PP 220-60 IP44 150W	1,00		05/2005	--
0005	MOMB88961		BURNER MOTOR 220-60 IP44 150W CNN.	1,00	10/2008		--
0006	RCVR08954		ELBOW 1/8"-4 B5	1,00	10/2008		--
0007	FTCO88927		FUEL FILTER S.AL	1,00			--
0007	PPGS40002		FUEL PUMP DNF BFA 01R3R1	1,00	10/2008		--
0007	PPGS48503		FUEL PUMP DLT ALLUM. A1R1	1,00		09/2008	--
0008	RCDS40582		HOSE FITTING "L" 1/4M - D. 6	1,00	10/2008		--
0009	FSVR00427		CLAMP D. 12 CLIC 66-110	1,00			--
0010	TBCO06945		L.P. HOSE D. 6-12 10BAR C.PRESS	0,90			--
0011	MECB18118		CABLE DLT L=1.600	1,00			--
0012	MPVR40610		AIR GATE	1,00	10/2008		--
0013	TBBP15347		L.P. HOSE D. 6- 8 RILSAN NT.	0,13			--
0014	GUGO01054		O-RING D. 15.08 X 2.62 NBR 70SH	1,00			--
0015	RCDS88373		HOSE FITTING 1/8 M D. 3- 7	1,00			--
0016	FSVR11197		CLAMP D.I. 11 13315	1,00			--
0017	TBCO06945		L.P. HOSE D. 6-12 10BAR C.PRESS	0,20			--
0018	FSVR11197		CLAMP D.I. 11 13315	2,00			--
0019	FTCO34840		FUEL FILTER FB 7/A NYL.	1,00			--



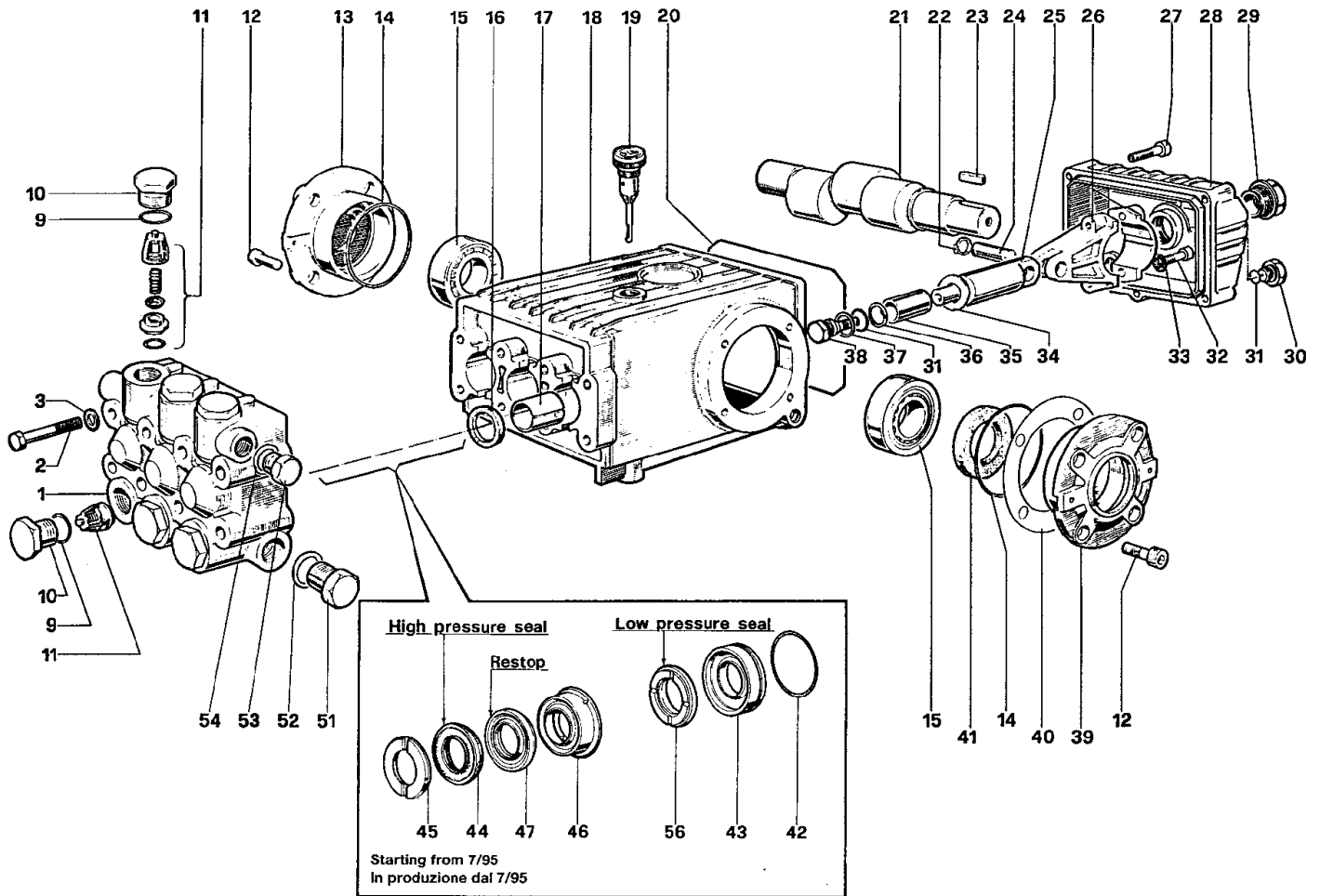
Ref.	K	Part N.	Customer Part N.	Description	Qty	Validity:		Price
						From	To	
K		METT41888		CONTACT SIE N.A. 3RH19 21-1EA11	1,00			--
K		METT45024		CONTACTOR SIE 3RT 1026 1AC20 24V	1,00			--
P		MEPF39902		PRESSURE SWITCHMTM 1/4M NA/NC 25B. MICRO	1,00			--
EC		MECE89083		PCB P105 T-ST/MP/LIV. S30*3"	1,00	07/2005		--
EV		MEBE48504		COIL DLT 24-50 NF84	1,00			--
F1		MEVR09010		FUSE 5X20 0,5A	1,00			--
F2		MEVR00237		FUSE 5X20 3,15A	1,00			--
F3		MEVR02824		FUSE 5X20 1A	1,00			--
G1		MECI34447		SWITCH REED N.C.H115	1,00			--
G2		MECI34444		SWITCH REED N.C.H185 L=1300	1,00			--
IG		MECI40544		COMMUTAT.SWITCH0-1-2 HD12H022-R000	1,00			--
PA		MEPD25575		DESCALING PUMP NME-1 24V CPL.	1,00			--
S1		MEPF45229		PRESSURE SWITCHMTM 3/8M NA/NC 25B. MICRO	1,00			--
S2		MEPF39741		PRESSURE SWITCHMTM 1/8M NA/NC 25B. MICRO	1,00			--
TA		METR88630		TRANSFORMER 23/240V-5/60HZ 2X26KV TR.	1,00			--
TH		METK19354		THERMOSTAT 0-150° L=1500	1,00			--
TR		METR11977		TRANSFORMER 35VA 230-400/24 50/60HZ	1,00		02/2008	--
TR		METR40003		TRANSFORMER 35VA 230-400/24 5/60HZ PM	1,00	02/2008		--
TS		METK34839		THERMOSTAT 50°C TR/711-N C.1.5	1,00			--
CV1		MECB40014		CABLE H07RNF 3X4 L.10.00	1,00			--



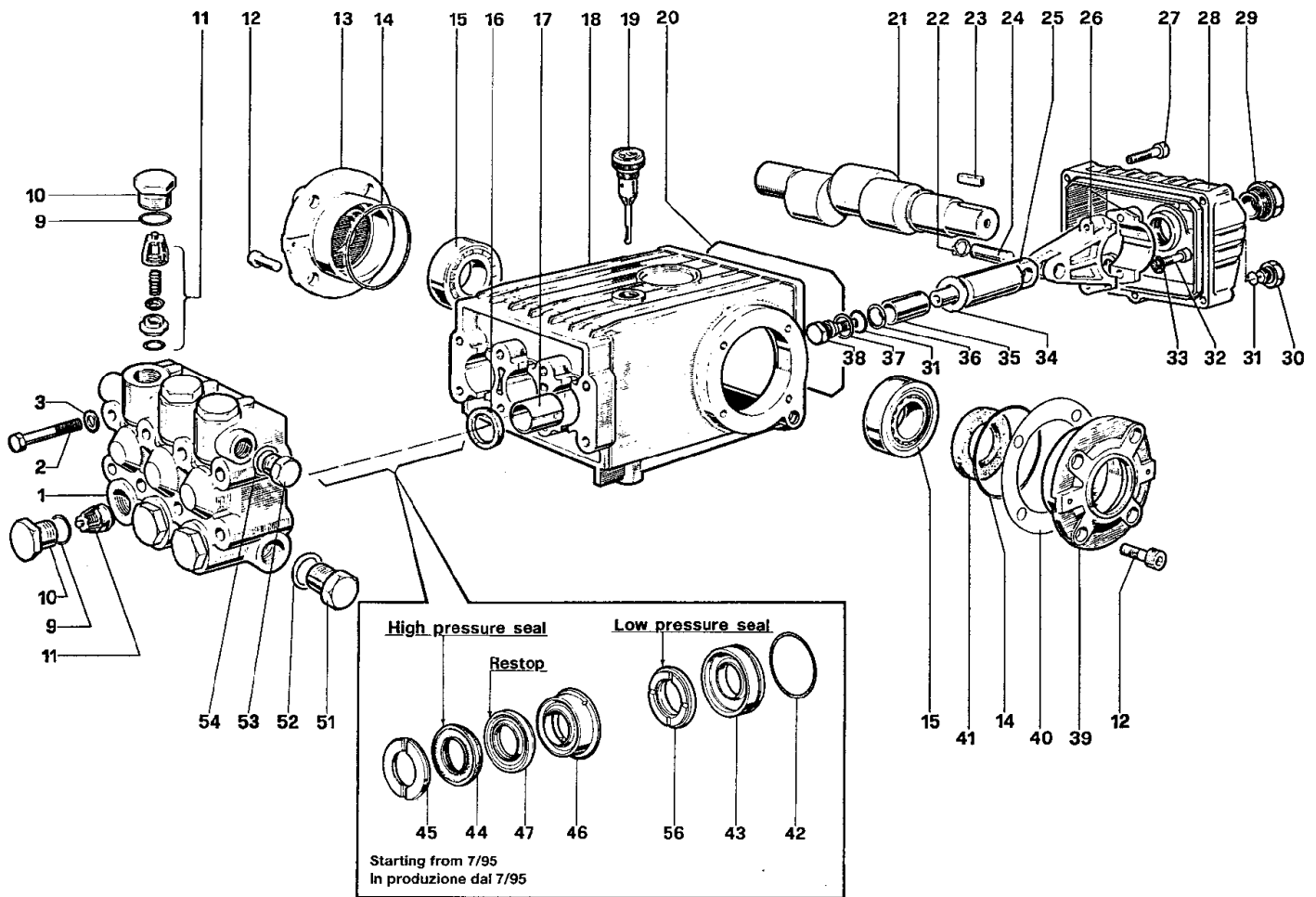
Ref.	K	Part N.	Customer Part N.	Description	Qty	Validity:		Price
						From	To	
0001		VTVR46568		PLUG G 4500	1,00			--
0004		MPVR40157		COVER G 4500 2V.	1,00	05/2008		--
0004		MPVR46563		COVER G 4500	1,00		04/2008	--
0005		MPVR46572		SPACER P 330 ST	1,00			--
0006		LCPR40007		TUBE 1/4 L=352 ZC. 2V.	1,00	05/2008		--
0006		LCPR46571		TUBE 1/4 L=352 ZC.	1,00		04/2008	--
0008		MPVR46569		PLATE G 4500 RD.	1,00			--
0009		MPVR40057		TRIGGER G 4500 -SW	1,00			--
0010		PVVR40030		SMALL PISTON TM ST-2300	1,00			--
0011		GUGO10384		O-RING D. 10 X 2.2 VIT 80SH	1,00			--
0012		RCVR13030		GUDGEON G 1/4 F L=31.5	1,00			--
0013		GUVR10526		ANTI-EXTR.RING D.13.9X10.2 C.BZ	1,00			--
0014		MPVR46570		PROTECTION P 330 ST	1,00			--
0015		PVVR13445		CONNECTION M 22X1,5 L=45	1,00			--
0016		MPVR40058		RING NUT G4500 SW.	1,00			--
0017		RCIN40001		JOINT SWIV 4500 3/8"F	1,00		04/2008	--
0017		RCIN40005		JOINT SWIV 4500 3/8"F 2V.	1,00	05/2008		--
0018		RCIN31641		CONNECTOR SWIV 1500 F	1,00			--
0019		KTRI31645		KIT P 26- 14	1,00			--
0021		PVVR40031		ROD ST-2300	1,00			--
0022		MPVR40156		SHELL G 4500 2V.	1,00	05/2008		--
0022		MPVR46562		SHELL G 4500	1,00		04/2008	--
0023		PVVR40023		TUBE G 1/4" M/M P/SW.	1,00			--
0024		GUGO27021		O-RING D. 11 X 2.5 EPD 70SH	1,00	05/2008		--



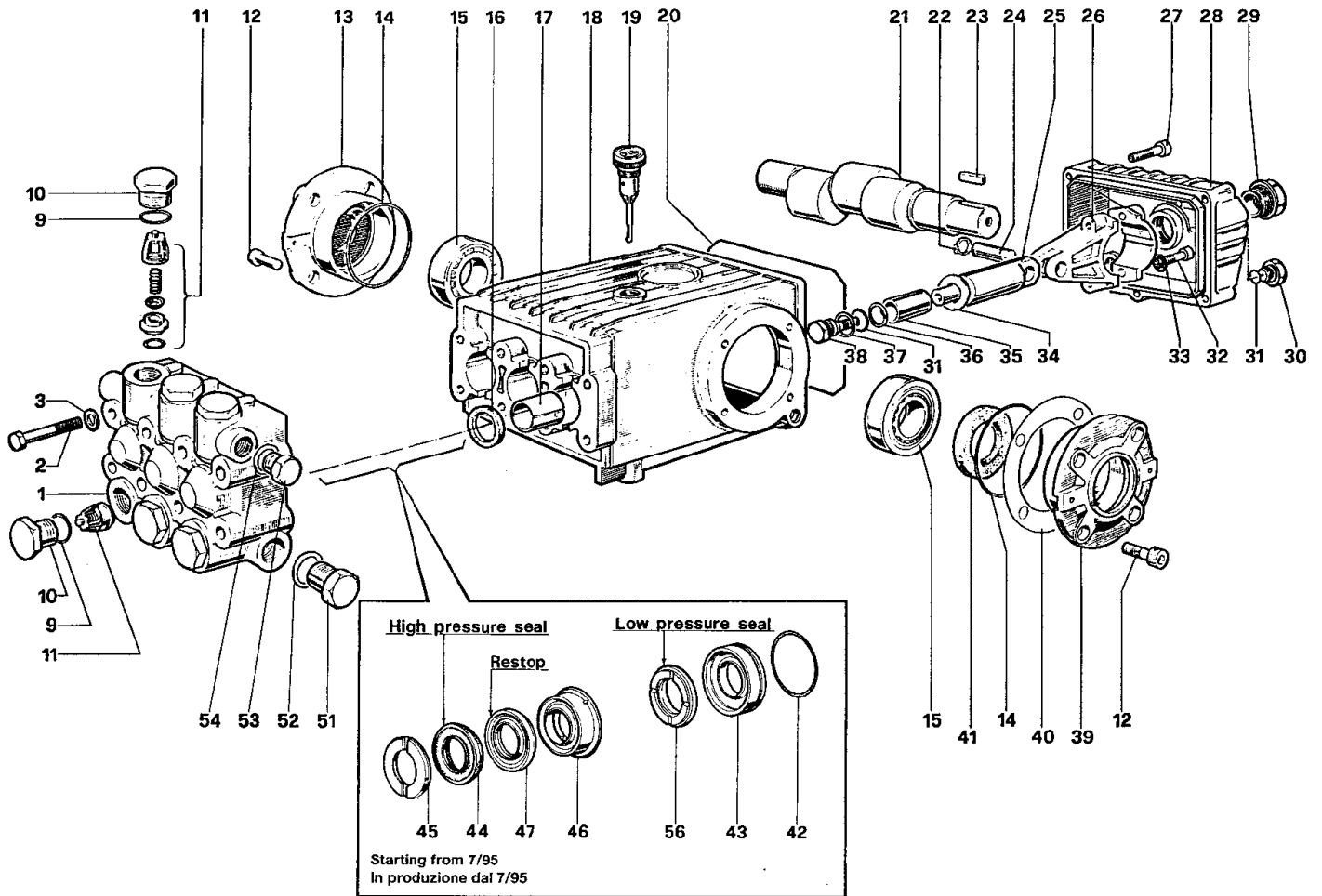
Ref. K	Part N.	Customer Part N.	Description	Qty	Validity:		Price
					From	To	
0001	PVVR45296		COUPLING G 1/4M -M22 M +PR.PLS	1,00			--
0002	MPVR45214		PROTECTION TB.1/4 MTM	1,00			--
0003	RCGR45737		TAP 1/4 F LD MTM	1,00			--
0004	LCPR45740		TUBE 1/8 L=660 INOX MTM	2,00			--
0005	MPVR45001		SHELL LD MTM	1,00			--
0006	RCVR45741		NOZZLE HOLDER 1/4-1/8 F MTM	2,00			--
0007	PVVR43810		PROTECTION L.D. MTM	1,00			--



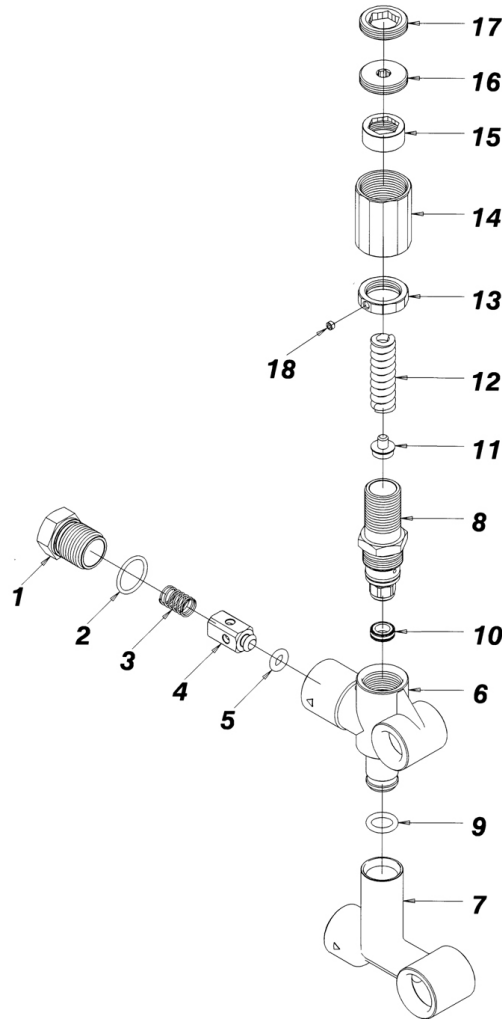
Ref.	K	Part N.	Customer Part N.	Description	Qty	Validity:		Price
						From	To	
0001		MFVR01097		HEAD W 151	1,00			--
0002		VTVT01111		SCREW TE M 8X70 UNI 5737	8,00			--
0003		VTRS01072		WASHER D. 8 TC	8,00			--
0009	S	GUGO01033		O-RING D. 20.24 X 2.62 NBR 90SH	6,00			--
0010	S	RCDS01087		CAP M24X2X16 OTT	6,00			--
0011	S	VVAM01104		VALVE UNIT W 70-151	6,00			--
0012		VTVT01118		SCREW TCEI M 8X16 ZC. UNI 5931	8,00			--
0013		MFVR03576		CRANKASE COVER W151	1,00			--
0014		GUGO01041		O-RING D. 67.95 X 2.62 NBR 70SH	2,00			--
0015		CUVR09205		ROLLER BEARING 32206 A	2,00			--
0016	S	GUGO01000		OIL SEAL 22X 32X 5.5 NBR70	3,00			--
0017		PVVR01011		BUSHING W 151	3,00			--
0018		MFVR01013		PUMP CRANKCASE W 151	1,00			--
0019		PVVR01092		OIL DIPSTICK W 151	1,00			--
0020		GUGO34590		O-RING D. 133.02 X 2.62 NBR 70SH	1,00			--
0021		ALMO44259		SHAFT W 913 USA	1,00			--
0022		VTAE14016		CIRCLIP D. 12 UNI 7435	6,00			--
0023		VTVR41531		KEY 8X 7X35 UNI 6604A	1,00			--
0024		PVVR01085		GUDGEON D.13X35 W151	3,00			--
0025		PVVR09306		PISTON GUIDE W 913	3,00			--
0026		BLVR01009		CONNECTING ROD W 151	3,00			--
0027		VTVT01114		SCREW TCEI 6X14 UNI 5931	5,00			--
0028		MFVR10268		CRANKASE COVER W101 POS	1,00			--
0029		PVVR01083		OIL INDICATOR G 3/4 W70-151	1,00			--
0030		RCDS01088		CAP 1/4X 9 M WW90	1,00			--
0031	S	GUGO01036		O-RING D. 10.82 X 1.78 NBR 70SH	4,00			--
0032		VTVT01120		SCREW TCEI 8X35 UNI5931	6,00			--
0033		VTRS14242		WASHER D. 8.4X13X0.8 UNI7064 SCH	6,00			--
0034	S	VTRS01753		WASHER D.14X28 X0,5	3,00			--
0035		PIVR01066		PISTON D.20X50 W 151	3,00			--
0036	S	GUVR00994		ANTI-EXTR.RING W151	3,00			--
0037	S	VTRS01076		WASHER D.14X18,5X0,5	3,00			--
0038	S	PVVR01107		PISTON BOLT IP W151	3,00			--
0039		MFVR03583		CRANKASE COVER W151	1,00			--
0040		PVVR01016		THICKNESS 0,1 W 151	2,00			--
0041	S	GUGO01003		OIL SEAL 30X 55X 7 NBR70	1,00			--
0042	S	GUGO01042		O-RING D. 34.6 X 1.78 NBR 70SH	3,00			--
0043	S	PVVR00977		PACKING RETAIN.W151	3,00			--
0044	S	GUVR00981		PACKING W151	6,00			--



Ref.	K	Part N.	Customer Part N.	Description	Qty	Validity:		Price
						From	To	
0045	S	PVVR00985		HEAD RING W151	6,00			--
0046	S	PVVR34589		INTERMED. RING W 151 D. 20	3,00			--
0047	S	GUVR34587		PACKING D. 20 RESTOP	3,00			--
0051		RCDS01091		CAP 1/2X10 M	1,00			--
0052		VTRS01075		WASHER D.21,5X27 ALL	1,00			--
0053		RCDS01090		CAP 3/8X13 M WW90	1,00			--
0054		VTRS01074		WASHER D.17,05X22,3 X1,5	1,00			--
0056	S	GUVR34585		PACKING W 151 L.P.	3,00			--



Ref. Part N.	Cust. Part N.	Description	Reference	Price
KTRI14900	KIT P	15- 3	0041	--
KTRI14901	KIT P	10	0042 0043	--
KTRI17793	KIT P	6	0031 0034 0036 0037 0038	--
KTRI17795	KIT P	4	0009 0010	--
KTRI17859	KIT P	1	0011	--
KTRI17860	KIT P	2	0016	--
KTRI18574	KIT P	7	0045	--
KTRI18579	KIT P	28	0042 0043 0044 0045 0046 0047 0056	--



Ref. K	Part N.	Customer Part N.	Description	Qty	Validity:		Price
					From	To	
0001	PVVR47977		CONNECTOR MV625 G 3/8F	1,00			--
0002	GUGO01058		O-RING D. 17.17 X 1.78 NBR 70SH	1,00			--
0003	MLML47978		SPRING MV 625	1,00			--
0004	PVVR47979		PIN MV 625	1,00			--
0005	GUGO46053		O-RING D. 6 X 3 NBR 90SH	1,00			--
0006	PVVR47980		VALVE BODY MV 625	1,00			--
0007	PVVR47997		CONNECTOR MV 625 H.73	1,00			--
0008	PVVR47988		CONNECTOR MV 625 REG.	1,00			--
0009	GUGO11225		O-RING D. 10.78 X 2.62 NBR 70SH	1,00			--
0010	PVVR47985		VALVE SEAT MV 625 + O-RING	1,00			--
0011	PVVR47986		SPRING PLATE MV 625	1,00			--
0012	MLML47987		SPRING D. 3.25X41.1 MV 625	1,00			--
0013	PVVR47984		RING NUT MV 625	1,00			--
0014	PVVR47989		CAP MV 625 REG.	1,00			--
0015	PVVR47990		RING NUT MV 625 REG.	1,00			--
0016	PVVR47991		REGISTER MV 625 REG.	1,00			--
0017	PVVR47992		CLAMP MV 625 REG.	1,00			--
0018	VTVT24918		SCREW EI-ST 4X 4 UNI5927	1,00			--