



SAFETY, OPERATION & MAINTENANCE MANUAL/PARTS LIST XA300-C AIRMOVER/DRYER

This unit is intended for commercial use.



3-Position Stand



Stack up
to 3
Together

Mastercraft.

777 South St, P.O. Box 2310
Newburgh, New York 12550-0606

(800) 835-7812 ♦ (845) 565-8850

FAX:

800) 752-6883 ♦ (845) 565-9392

www.mastercraftusa.com
techsupport@mastercraftusa.com

READ & FOLLOW ALL INSTRUCTIONS, WARNINGS & CAUTIONS BEFORE USING THIS AIRMOVER

This Airmover will afford you many years of trouble-free operating satisfaction, provided it is given proper care. All parts have passed rigid quality control standards prior to their being assembled to produce the finished product. Prior to packaging, the extractor was again inspected for assurance of flawless assembly.

This Airmover is protectively packed to prevent damage in shipment. We recommend that upon delivery, unpack the unit and inspect it for any possible damage.

Only a visual examination will reveal damage that may have occurred.

If damage is discovered, immediately notify the transportation company that delivered your extractor. As the shipper, we cannot file a claim for any damage. You must originate any claim within 5 days.

This manual is for your protection and information. **PLEASE READ CAREFULLY** since failure to follow precautions could result in discomfort or injury.

READ ALL INSTRUCTION BEFORE OPERATING

SAVE THESE INSTRUCTIONS

IMPORTANT SAFETY INSTRUCTIONS

- 1) **DO NOT** leave Airmover when plugged in. Unplug from the outlet when not in use and before servicing.
- 2) To avoid electric shock, **DO NOT** expose to rain. Store indoors.
- 3) This is **NOT** a toy. Close attention is necessary when used around or near children.
- 4) Use only as described in this manual. Use only manufacturer's recommended attachments and accessories.
- 5) **DO NOT** use with damaged cord or plug. If extractor is not working as it should, because it has been dropped, damaged, left outdoors, or dropped into water, contact an authorized service center or the factory.

- 6) **DO NOT** handle plug with wet hands.
- 7) **DO NOT** pull or carry by cord, use cord as a handle, close a door on cord or pull cord around sharp edges or corners. **DO NOT** run unit over cord. Keep cord away from heated surfaces.
- 8) **DO NOT** unplug by pulling on cord. To unplug, grasp the plug, not the cord.
9. Store Airmover indoors in a dry area.
- 10) **DO NOT** put any objects into the openings. **DO NOT** use with any opening blocked; keep free of anything that may reduce air flow.
- 11) Keep hair, loose clothing, fingers and all parts of body away from openings and moving parts.

- 14) Turn **OFF** all the controls before unplugging.
- 16) **DO NOT** use where anesthetics or oxygen are used.
- 17) **DO NOT** use an extension cord unless absolutely necessary. If an extension cord is used, then wire size must be #14 gauge or larger and should not exceed 50 feet in length. Use only (3) conductor grounded extension to ensure "GROUNDING" protection.
- 18) Replace damaged or worn parts immediately with genuine original equipment parts to maintain safety and to protect your limited warranty.

The Airmover must be connected to a properly grounded outlet only. (See Grounding Instructions)

WARNING:

To reduce the risk of fire, electric shock or injury:
Read all instructions before using this Airmover

When using this Airmover basic precautions should always be followed, including the following

GROUNDING INSTRUCTIONS

ANGER:

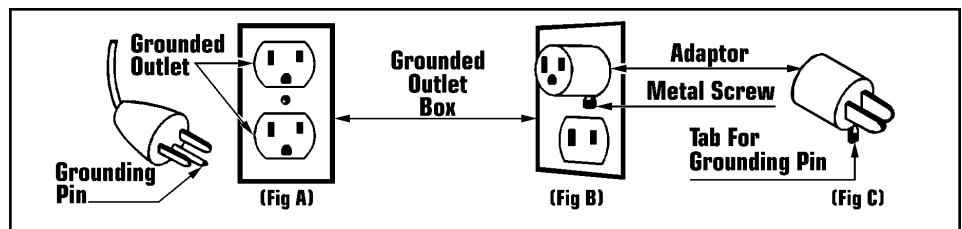
Improper use of the grounding plug can result in a risk of electric shock.

Electrical equipment must be grounded. If it should malfunction or breakdown, grounding provides a path of least resistance for electrical current to reduce the risk of electric shock. This extractor is equipped with a cord

having an equipment-grounding conductor and grounding plug. The plug must be inserted into an appropriate outlet that is properly installed and grounded in accordance with all local codes and ordinances.

If repair or replacement of the cord or plug is necessary, **DO NOT** connect the grounded wire to either flat blade terminal. The wire with insulation having an outer surface that is green with or without yellow stripes is the grounding wire.

GROUNDING METHODS



This extractor is for use on a nominal 120 volt circuit, and has a grounded plug that looks like the plug illustrated in (Fig A). A temporary adaptor that looks like the adaptor illustrated in (Fig B & C) may be used to connect this plug to a 2-pole receptacle as shown in

(Fig B) if a properly grounded outlet is not available.

The temporary adaptor should be used only until a properly grounded outlet (Fig A) can be installed by a qualified electrician. The green color

rigid ear, lug, or the like, extending from the adaptor must be connected to a permanent ground such as a properly grounded outlet box cover. Whenever the adaptor is used, it must be held in place by a metal screw (Fig C).

WARNING:

Improper connection of the equipment-grounding conductor can result in a risk of electric shock. Check with a qualified electrician or service person if you are in doubt as to whether the outlet is properly grounded.

DO NOT modify the plug provided with the extractor. If it will not fit the outlet, have a proper outlet installed by a qualified electrician.

NOTE: In Canada, the use of a temporary adaptor is not permitted by the Canadian Electric Code.

Use this method when with carpeting is glued and you cannot place the Airmover underneath the carpet.

1) Place the Airmover in a corner pointing toward the center of the room.

2) Turn the switch knob to select the speed you want.

3) The air blows over the surface to speed evaporation. The Airmover should be moved periodically as the surface dries.

DRYING GLUED CARPET

I stretch (non-glued) carpet becomes completely saturated due to flooding or pipes breaking, use this method to dry the carpet's backing. Only a professional should perform this procedure.

1) Remove all the furniture from the room.

2) Lift an edge of the carpet and slide the exhaust side of Airmover under the carpet.

3) Plug the Airmover into a grounded outlet and turn it **ON**. This forces the air under and through the carpet to speed drying time. The carpet will blow in the center.

4) Remove the Airmover when the carpet is dry and stretch carpet back into place.

DRYING FLOODED & STRETCHED CARPET

WARNING:

DO NOT place the Airmover in standing water.

PROBLEM: Streaking, uneven or no spray from jets.

Possible Cause

- 1)** Fuse blown or circuit breaker tripped.
- 2)** Faulty **ON/OFF** switch.
- 3)** Loose wiring.
- 4)** Faulty motor.

Possible Solution

- 1)** Have Airmover checked by an Authorized Service Center
- 2)** Replace switch.
- 3)** Trace and repair.
- 4)** Replace motor.

TROUBLE SHOOTING GUIDE

PROBLEM: Loss of vacuum.

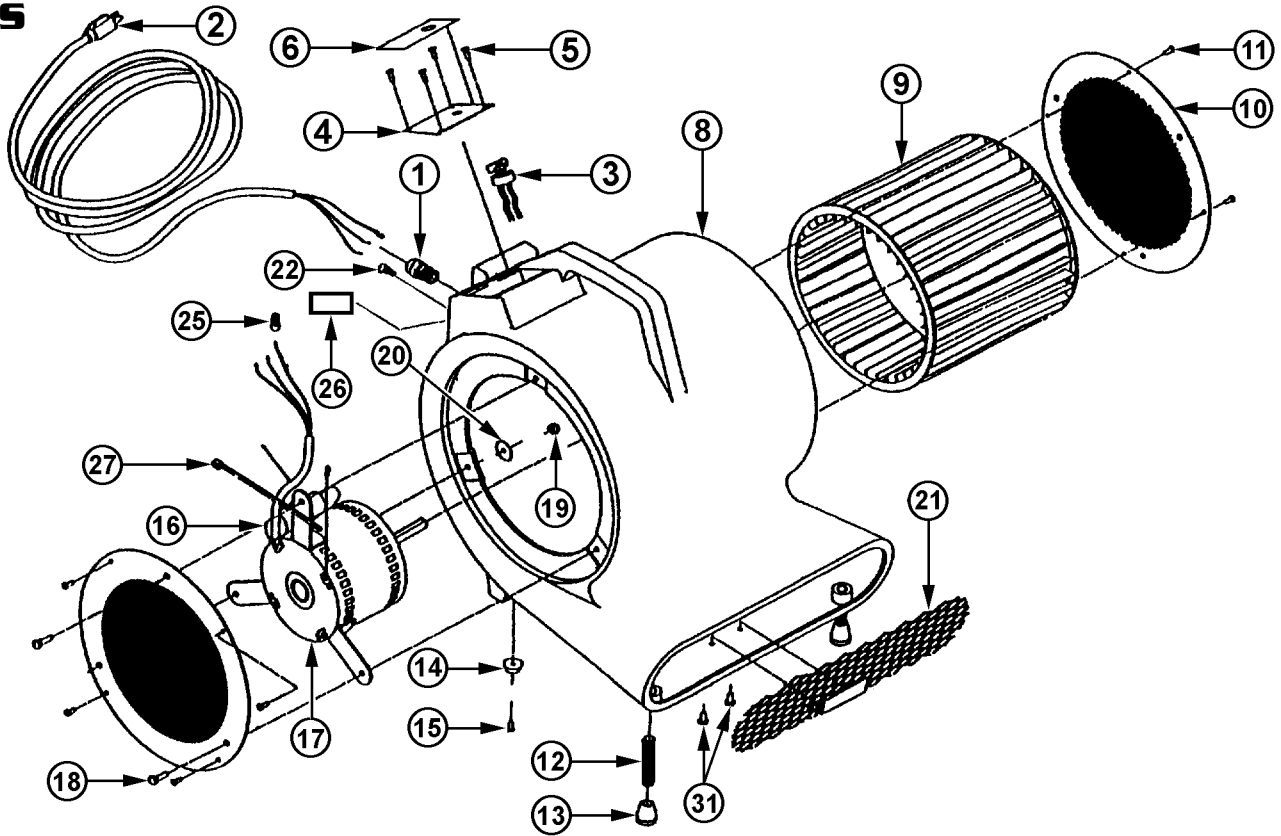
Possible Cause

- 1)** Intake screens or exhaust grill blocked.

Possible Solution

- 1)** Remove debris blocking air flow and let cool.

REPLACEMENT PARTS LIST



Ref No	Part Description	Qty	Part No	Ref No	Part Description	Qty	Part No
1	Strain Relief and Nut	1	449415	17	1/2 HP Motor	1	2405C
2	25 Ft 18/3 Power Cord	1	449407	18	1/4" - 20 X 1" Hex Cap Bolt	4	1018
3	4 Position Switch w/Knob	1	449369	19	1/4" - 20 Nylok Nut	4	1019
4	Switch Face Plate	1	449393	20	1/4" Flat Washer	4	1054
5	#6 X 1/2" Tapping Screw	4	449385	21	Front Wire Screen	1	2411A
6	Switch Decal	1	449377	22	10-24 X 5/8" SS Screw	1	1017
8	Airmover Housing	1	2400	25	Splicing Terminal	2	1030
9	Fan	1	443483	26	Nameplate	1	2413
10	ABS Side Screen	2	2401A	27	7 1/2" Cable Tie	1	1057
11	#10 X 3/4" Metal Screw	6	1025	31	Aluminum Pop Rivet	4	1001A
12	1/2" X 3" Threaded Leg	2	2407	N/S	10-24 SS Nylok Nut	1	1009
13	1/2" Rubber Leg Cap	2	2408	N/S	1/2" Cable Clamp	1	1056
14	Rear Feet Stand Off	2	2409	N/S	Baffle	1	2418
15	#10 X 3/4" Metal Screw	2	1025	N/S	3/16" Washer (Baffle)	2	1002
16	7.5 MFD/370 Volt Capacitor	1	2404				

WARNING:

Service and repairs should only be performed by an authorized service center.