

READ & FOLLOW ALL
INSTRUCTIONS,
WARNINGS & CAUTIONS
BEFORE USING THIS BLOWER



SAFETY,
OPERATION,
MAINTENANCE
& MANUAL
w/PARTS LIST
B650 & B651
BLOWER

This unit is intended for commercial use.

CAUTION

DO NOT VIGOROUSLY TWIST BLOWER
FROM SIDE TO SIDE OR UP AND DOWN WHILE
OPERATING.

THIS WILL PROTECT AIR FANS FROM
POSSIBLE DAMAGE.

This blower will afford you many years of trouble-free operating satisfaction, provided it is given proper care. All parts have passed rigid quality control standards prior to their being assembled to produce the finished product. Prior to packaging, your blower was again inspected for assurance of flawless assembly.

This blower is protectively packed to prevent damage in shipment. We recommend that upon delivery, unpack the unit and inspect it for any possible damage.

Only a visual examination will reveal damage that may have occurred.

If damage is discovered, immediately notify the transportation company that delivered your blower. As a shipper, we are unable to report any claim for damage. You must originate any claim within 5 days of delivery.

This manual is for your protection and information. **PLEASE READ CAREFULLY** since failure to follow precautions could result in discomfort or injury.

PLEASE READ
CAREFULLY
BEFORE
OPERATING

SAVE THESE INSTRUCTIONS

IMPORTANT SAFETY INSTRUCTIONS



WARNING

To Reduce the Risk of Fire, Electric Shock or Injury:
Read all instructions before using this blower.

When using this blower basic precautions should always be followed, including the following:

1. **DO NOT** leave the blower when plugged in. Unplug from the outlet when not in use and before servicing.
2. To avoid electric shock, **DO NOT** use outdoor or on wet surfaces.
3. **DO NOT** allow to be used as a toy. Close attention is necessary when used around or near children.
4. Use only as described in this safety manual. Use only the manufacturer's recommended attachments.
5. **DO NOT** use this blower with damaged cord or plug. If the blower is not working as it should, because it has been dropped, damaged, left outdoors or dropped into water, contact an authorized service center or factory.
6. **DO NOT** pull or carry by the cord, use cord as a handle, close a door on cord or pull cord around sharp edges and corners. Keep cord away from heated surfaces.
7. **DO NOT** unplug the blower by pulling on the cord. To unplug, grasp the plug, not the cord.
8. **DO NOT** handle the plug of the blower with wet hands.
9. Store blower indoors in a dry area.
10. **DO NOT** put any objects into openings. **DO NOT** use with any opening blocked; keep free of dust, lint, hair and anything that may reduce air flow.
11. Keep hair, loose clothing, fingers, and all parts of body away from moving parts and openings.
12. Turn off all the controls before unplugging.
13. Use extra care when cleaning on stairs.
14. **DO NOT** use where oxygen or anesthetics are used.
15. **DO NOT** use an extension cord unless absolutely necessary. If an extension cord is used, then wire size must be #14 or larger and should not exceed 50 feet in length. The extension cord must be a three-wire type to insure grounding protection.
16. Replace damaged or worn parts immediately with genuine original equipment parts to maintain safety and to protect your limited warranty.

This blower must be connected to a properly grounded outlet only. (See grounded instructions)



CAUTION

If unit is vibrating, shut off immediately. abnormal vibration indicates a mechanical problem and continued use could lead to damage of unit or personal injury.

Call service center or manufacturer.

SAVE THESE INSTRUCTIONS



DANGER

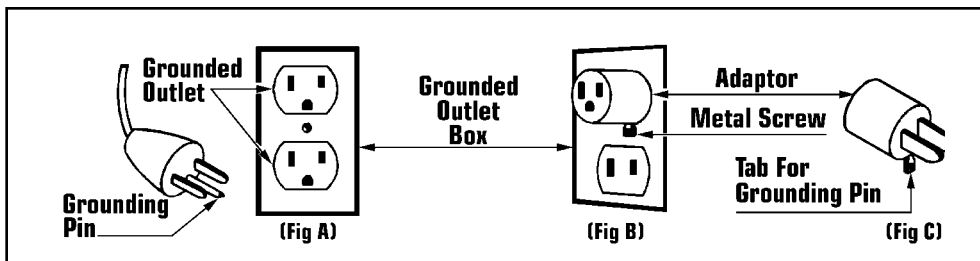
Improper use of the grounding plug can result in a risk of electric shock.

Electrical equipment must be grounded. If it should mal-function or breakdown, grounding provides a path of least resistance for electrical current to reduce the risk of electric shock. The blower is equipped with a cord having an equipment-grounding conductor and grounding plug. The plug must be inserted into an appropriate outlet that is properly installed and

grounded in accordance with all local codes and ordinances.

If repair or replacement of the cord or plug is necessary, **DO NOT** connect the grounded wire to either flat blade terminal. The wire with insulation having an outer surface that is green with or without yellow stripes is the grounding wire.

GROUNDING INSTRUCTIONS



GROUNDING METHOD

This electric equipment is for use on a nominal 120 volt circuit, and has a grounded plug that looks like the plug illustrated in (Fig A). A temporary adaptor that looks like the adaptor illustrated in (Fig B & C) may be used to connect this plug to a 2-pole receptacle as shown in (Fig B) if a properly grounded outlet is not available.

The temporary adaptor should be used only until a properly grounded outlet (Fig A) can be installed by a qualified electrician. The green color rigid ear, lug or the like extending from the adaptor must be connected to a permanent ground such as a properly grounded outlet box cover. Whenever the adaptor is used, it must be held in place by a metal screw (Fig C).



WARNING

Improper connection of the equipment-grounding conductor can result in a risk of electric shock. Check with a qualified electrician or service person if you are in doubt as to whether the outlet is properly grounded. **DO NOT** modify the plug provided with the equipment. If it will not fit the outlet, have a proper outlet installed by a qualified electrician.

Note: In Canada, the use of a temporary adaptor is not permitted by the Canadian Electrical Code.

B650 - This electric blower is equipped with a air-thru motor and ready for use. It comes with a plastic nozzle that attaches to the exhaust end of the blower

B651 - This electric blower is equipped with a air-thru motor and ready for use after attaching hose and tools (See Pg 6.)

Read this manual completely before operating this blower.

It is important to follow the instructions in this manual to prevent the possibility of injury or damage to the user and/or machine.

OPERATION INSTRUCTIONS

LIRE TOUTES LES INSTRUCTIONS AVANT DE FAIRE FONCTIONNER (CET APPAREIL)

AVERTISSEMENT:

Pour réduire les risques d'incendie, de choc électrique ou de blessure:
L'utilisation d'un appareil électrique demande certaines précautions:

1) Ne pas laisser l'appareil sans surveillance lorsqu'il est branché. Débrancher lorsque l'appareil n'est pas utilisé et avant l'entretien.

2) Ne pas permettre aux enfants de jouer avec l'appareil. Une attention particulière est nécessaire lorsque l'appareil est utilisé par des enfants ou à proximité de ces derniers.

3) N'utiliser que conformément à cette notice avec les accessoires recommandés par le fabricant.

4) Ne pas utiliser si le cordon ou la fiche est endommagé. Retourner l'appareil à un atelier de réparation s'il ne fonctionne pas bien, s'il est tombé ou s'il a été endommagé, oublié à l'extérieur ou immergé.

5) Ne pas débrancher en tirant sur le cordon. Tirer plutôt la fiche.

6) Ne pas tirer, soulever ou traîner l'appareil par le cordon. Ne pas utiliser le cordon comme une poignée, le coincer dans l'embrasure d'une porte ou l'appuyer contre des arêtes vives ou des coins. Ne pas faire rouler l'appareil sur le cordon. Garder le cordon à l'écarte des surfaces chaudes.

7) Ne pas toucher la fiche ou l'appareil lorsque vos mains sont humides.

8) N'insérer aucun objet dans les ouvertures. Ne pas utiliser l'appareil lorsqu'une ouverture est bloquée. S'assurer que de la poussière, de la peluche, des cheveux ou d'autres matières ne réduisent pas le débit d'air.

9) Maintenir les cheveux, les vêtements amples, les doigts et toutes les parties du corps à l'écart des ouvertures et des pièces mobiles.

10) Mettre toutes les commandes à la position ARRET avant de débrancher l'appareil.

11) User de prudence lors du nettoyage des escaliers.

12) Ne pas aspirer des liquides inflammables ou combustibles, comme de l'essence, et ne pas faire fonctionner dans des endroits où peuvent se trouver de tels liquides.

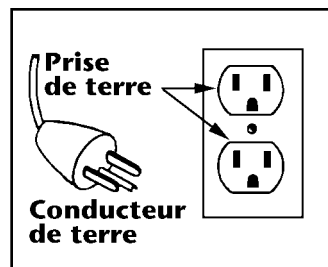
13) Toujours mettre l'interrupteur de l'appareil à la position ARRET avant de brancher ou de débrancher la brosse à moteur.

14) Ne brancher qu'à une prise de courant avec mise à la terre. Voir les instructions visant la mise à la terre.

INSTRUCTIONS VISANT LA MISE A LA TERRE

Cet appareil doit être mis à la terre. En cas de défaillance ou de panne éventuelles, la mise à la terre fournit au courant un chemin de moindre résistance qui réduit le risque de choc électrique. Cet appareil est pourvu d'un cor-

don muni d'un conducteur de terre et d'une fiche avec broche de terre. La fiche doit être branchée dans une prise appropriée correctement installée et mise à la terre conformément aux règlements et ordonnances municipaux.



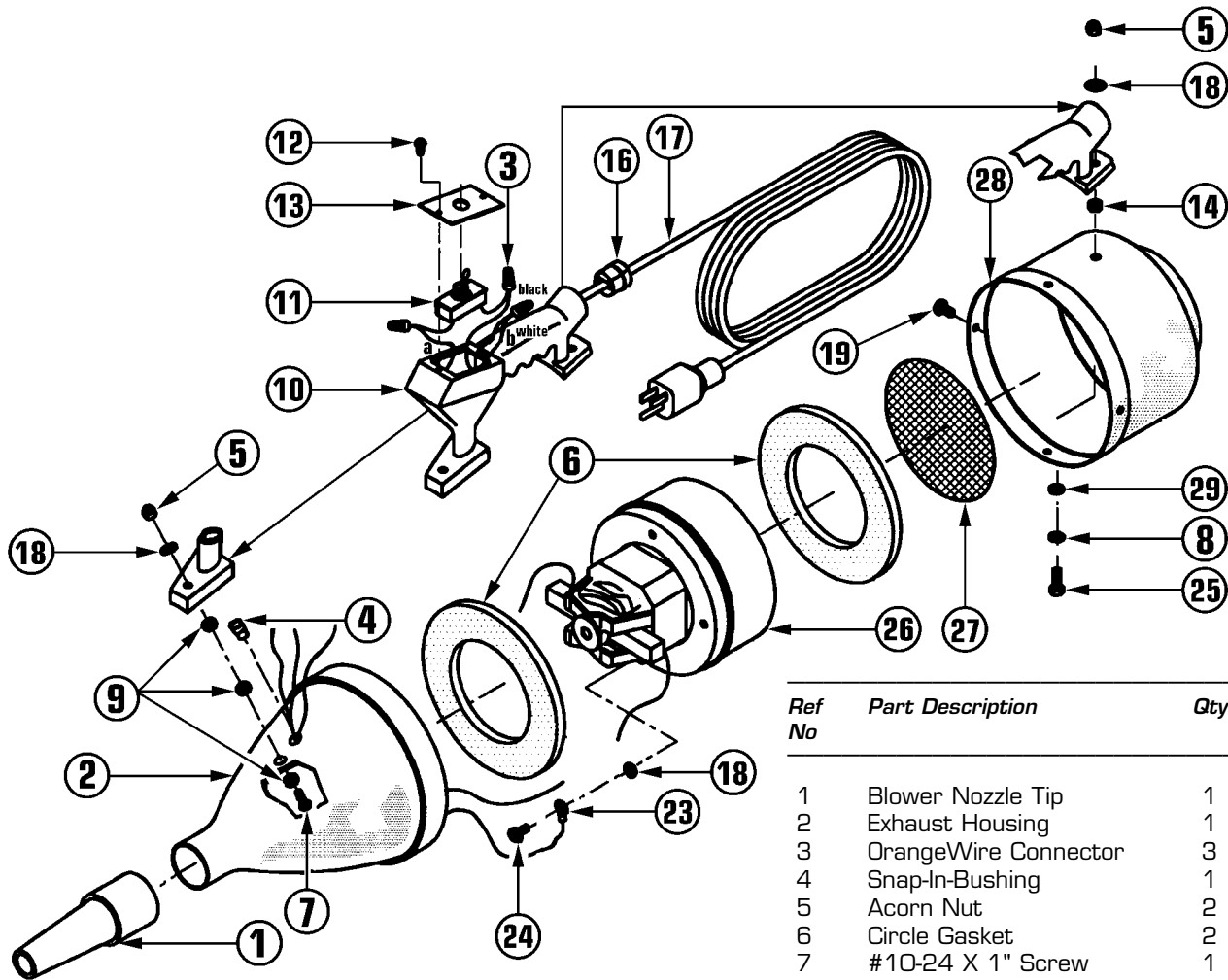
Cet appareil est destiné à un circuit de 120V et est muni d'une fiche de mise à la terre semblable à celle illustrée par le croquis A de la figure "A". S'assurer que l'appareil est branché à une prise de courant ayant la même configuration que la fiche. Aucun adaptateur ne devrait être utilisé avec cet appareil.

AVERTISSEMENT

Un conducteur de terre mal raccordé peut entraîner un risque de choc électrique. Consulter un électricien ou un technicien d'entretien qualifié si vous n'êtes pas certain que la prise soit correctement mise à la terre. Ne pas modifier la fiche fournie avec l'appareil-si elle ne peut être insérée dans la prise, faire installer une prise adéquate par un électricien qualifié.

CONSERVER CES INSTRUCTIONS

B650 DRAWING & REPLACEMENT PARTS LIST



Ref No	Part Description	Qty	Part No
1	Blower Nozzle Tip	1	340294
2	Exhaust Housing	1	308218
3	OrangeWire Connector	3	398985
4	Snap-In-Bushing	1	309966
5	Acorn Nut	2	359807
6	Circle Gasket	2	309729
7	#10-24 X 1" Screw	1	335169
8	#12 Washer	1	364037
9	#10-24 Hex Nut	3	331201
10	Blower Handle	1	345083
11	Toggle Switch	1	306940
11A	Toggle Switch & Plate Assy	1	353124
12	#6- ³ / ₈ " Screw	2	319279
13	Switch Plate	1	345113
14	Hex Nut w/Lockwasher	1	381004
16	Strain Relief	1	318329
17	30 Ft, 18-3 Line Cord	1	318647A
18	Internal Tooth Lockwasher	3	380725
19	#6 X ³ / ₈ " Hex Screw	4	309710
23	Wire Lead w/Terminals	1	307440
24	#10-32 Ground Screw	1	393258
25	#10-24 X 3/4" Rd Screw	1	337315
26A	115 Volt, 1 HP Motor	1	335711
26B	230 Volt, 1 HP Motor	1	338249
27	Screen	1	319759
28	Inlet Housing	1	308110
29	Steel Washer	1	380962
N/S	Carbon Brushes (Set of 2)	1	340103
N/S	Rotating Fan (Set of 2)	1	361682

B651 BLOWER REPLACEMENT PARTS LIST

B651 Parts List

<i>Ref No</i>	<i>Part Description</i>	<i>Qty</i>	<i>Part No</i>
1	Exhaust Housing	1	342637
2	Inlet Housing	1	342602
3A	115 Volt, 1 HP Motor	1	335711
3B	230 Volt, 1 HP Motor	1	338249
4	Screen	1	319759
5	#10 Internal Tooth Lockwasher	3	380725
6	Insulation Tube	1	363685
7	Circle Gasket	2	309729
8	Toggle Switch Assembly	1	306940
9	"U" Bolt w/Plate & Nut	1	342718
10	#10-32 Ground Screw	2	393258
11	Wire Lead w/Terminals	1	307440
12	Eye Screw w/Nut	1	342432
13	Hex Nut w/Lockwasher	2	331201
14	30 Ft, 18-3 Line Cord	1	318647
15	Strain Relief	1	342335
16	#10-24 X 3/4" Screw	1	337315
17	Hex Nut w/Lockwasher	2	338966
18	#6 X 3/8" Screw	6	309710
19	Orange Wire Connector	3	398985
20	Base Frame	1	342416
27	Large Purse Lock	1	365483
N/S	Carbon Brushes (Set of 2)	1	340103
N/S	Rotation Fan (Set of 2)	1	361682

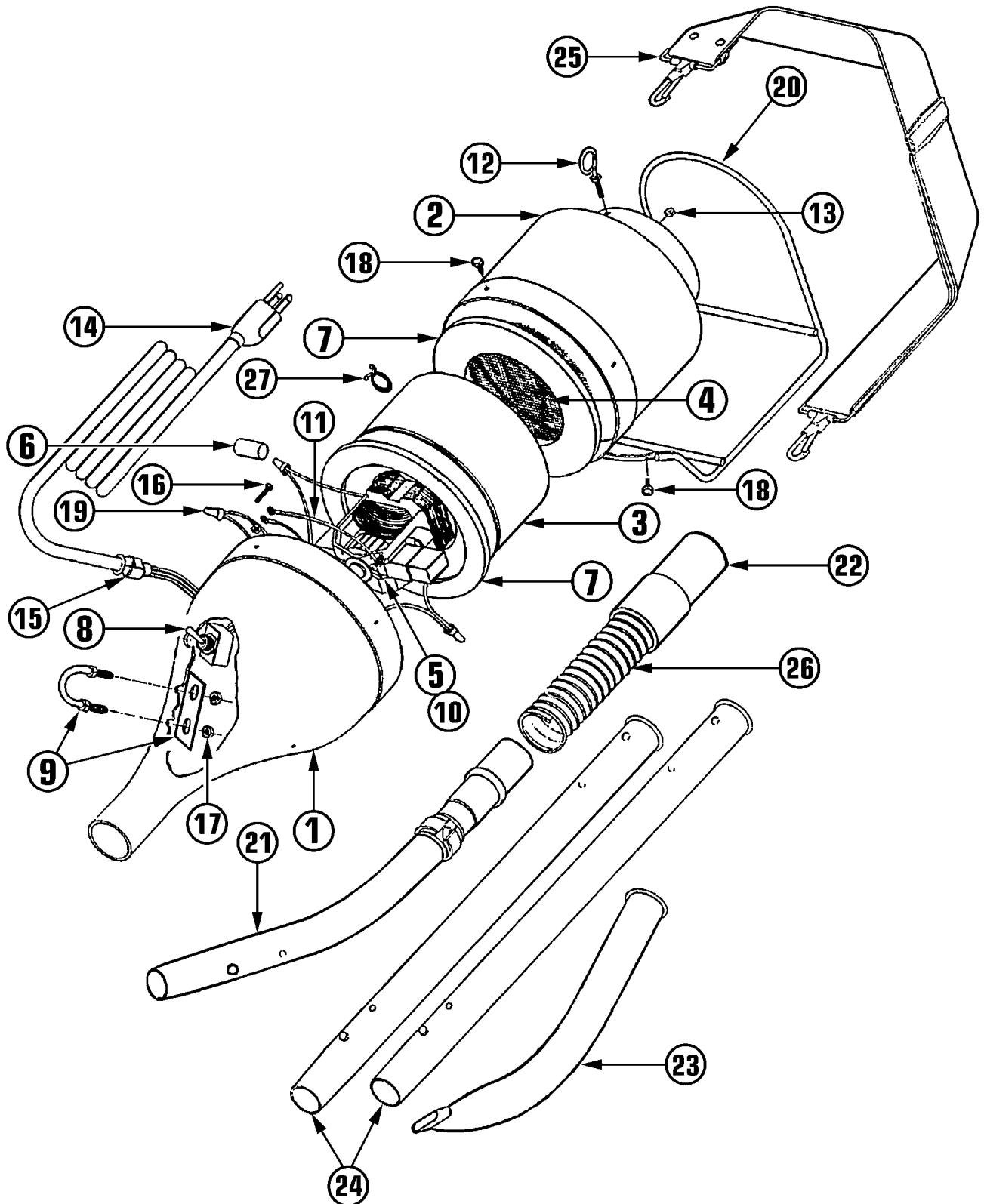
B651 Attachments

Installation Instructions:

- Hose:** Attach cuff end of hose to exhaust end or blower.
- Metal Elbow:** Insert curved swivel elbow into other end of the hose.
- Wand:** Assembly wand and/or a cleaning tool into the curved elbow.
- Carry Strap:** Attach to metal clips located on blower.

<i>Ref No</i>	<i>Part Description</i>	<i>Qty</i>	<i>Part No</i>
21	Curved Wand Elbow	1	421294
22	Hose Cuff	1	342300
23	6" Curved Crevice Tool	1	342203
24	Straight Wand	2	355305
25	Carrying Strap	1	367354
26	3 Ft X 1 1/4" Hose	1	342297

B651 BLOWER PARTS DRAWING



CARE OF BLOWER

Treat your blower as you would any other high grade precision made product. Dropping, bumping and other misuses may result in a damaged unit which will not be covered by warranty.

This blower requires no special maintenance except for cleaning. Clean the outer surface with a small amount of soap on a damp cloth or sponge. **DO NOT** use solvents or other types of cleaners.

When not in use the power cord should be wrapped around the body of the blower for storage.

TROUBLE SHOOTING GUIDE



CAUTION

Always disconnect power cord before servicing the unit.

PROBLEM: Blower body is hot to touch.

POSSIBLE CAUSE:

1. Motor air inlet is blocked.
2. Blower is in direct sun light.
3. Air exhaust restricted.or nozzle.

POSSIBLE SOLUTION:

1. Screen to motor inlet is dirty, covered by paper, cloth etc, clear debris.
2. Move blower to shaded area.
3. Remove debris from hose, wand

PROBLEM: Operating but not blowing.

POSSIBLE CAUSE:

1. Motor air inlet is blocked.
2. Metallic sound in blower body.
3. Blower was dropped, restricting air-flow.

POSSIBLE SOLUTION:

1. Remove debris, clean air inlet.
2. Contact manufacturer or service center.
3. Contact manufacturer or service center.

PROBLEM: Blower is not operating.

POSSIBLE CAUSE:

1. Defective power cord.
2. Defective switch.
3. Defective motor or wire connection.

POSSIBLE SOLUTION:

1. Contact manufacturer or service center.
2. Contact manufacturer or service center.
3. Contact manufacturer or service center.



CAUTION

Repairs should only be performed by an authorized service center.