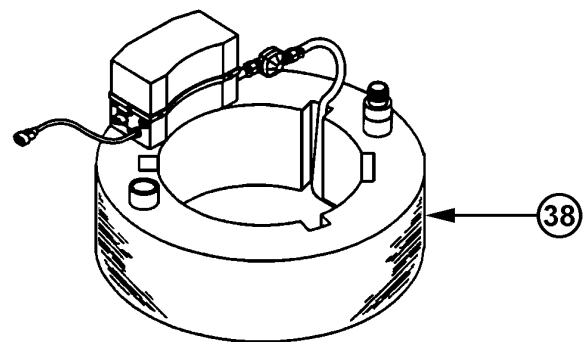


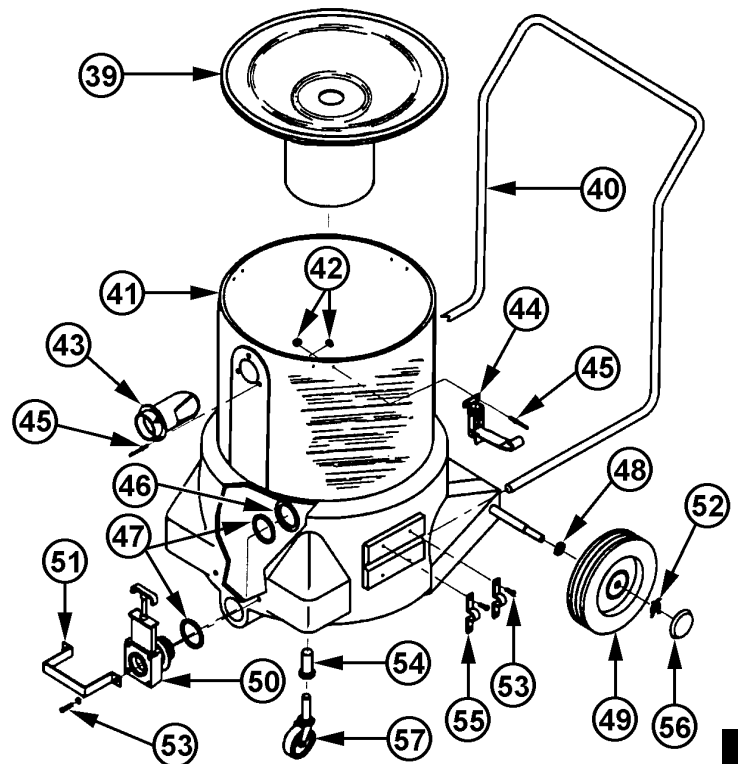


# AQUARINSE™ VACUUM SYSTEM REPLACEMENT PARTS LIST

## 20 GALLON RECOVERY TANK W/RING TANK

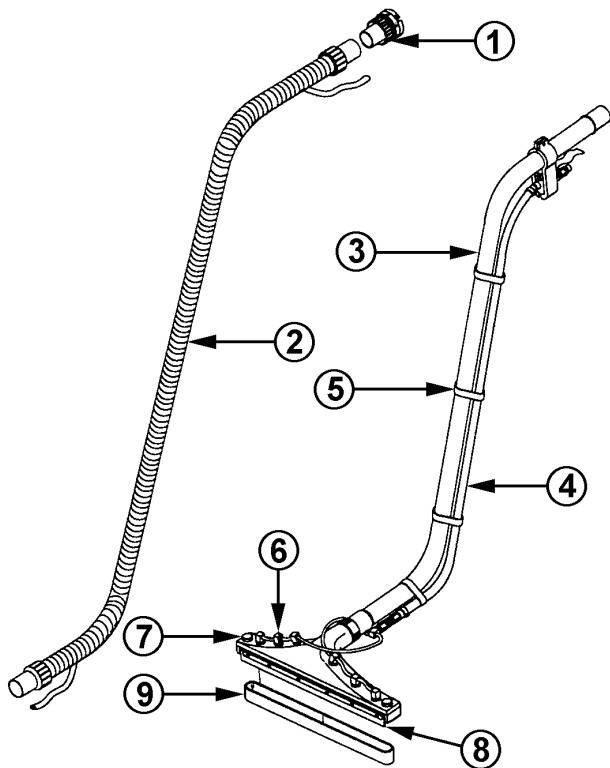
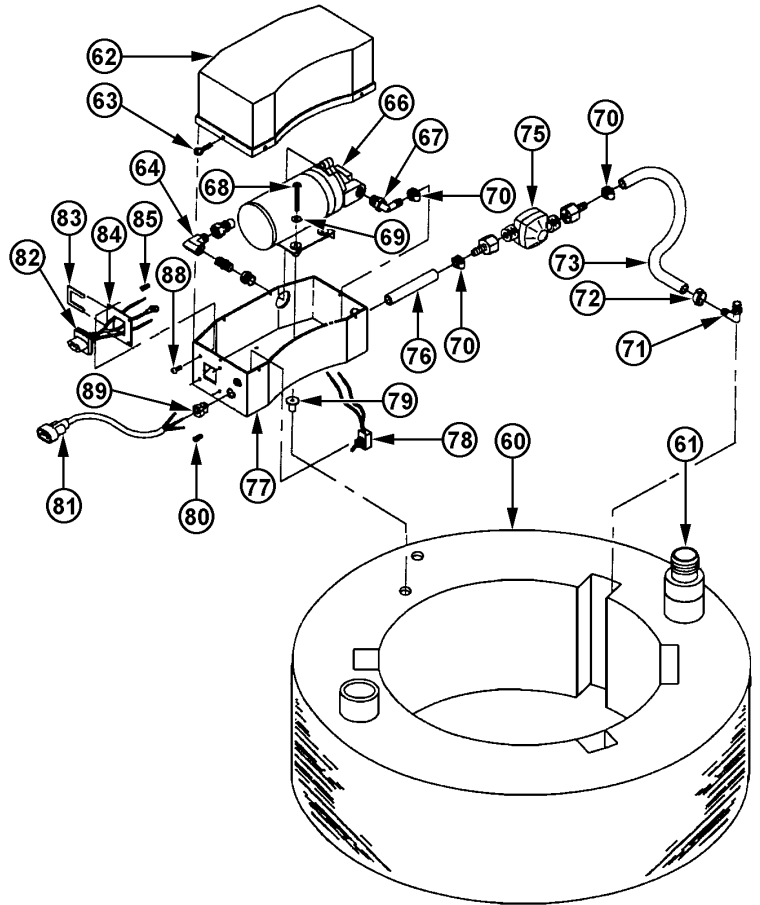


Ref No	Part Description	Qty	Part No
38	Ring Tank Assembly	1	337463
39	Float Pan	1	371726
40	Chrome Push Handle	1	315524
41	Poly Tank Assembly	1	326305
42	Steel Washer	3	303909
43	Inlet Fitting	1	318809
44	Holdown Clamps	3	358312
45	Pop Rivet	9	374733
46	Large Nut	1	306789
47	Gate Valve Gasket	2	307602
48	Spring Washer	2	374059
49	8" Wheel	2	369004
50	Gate Valve w/Hose Connector	1	318442
51	Valve Guard Bracket	1	328138
52	"X" Washer	2	368997
53	1/4 - 20 X 1/2" Round Screw	10	360848
54	Plastic Caster Sockets	2	371750
55	Handle Clamps	4	328111
56	Hub Cap	2	319317
57	3" Swivel Caster	2	314056



# RING TANK W/PUMP

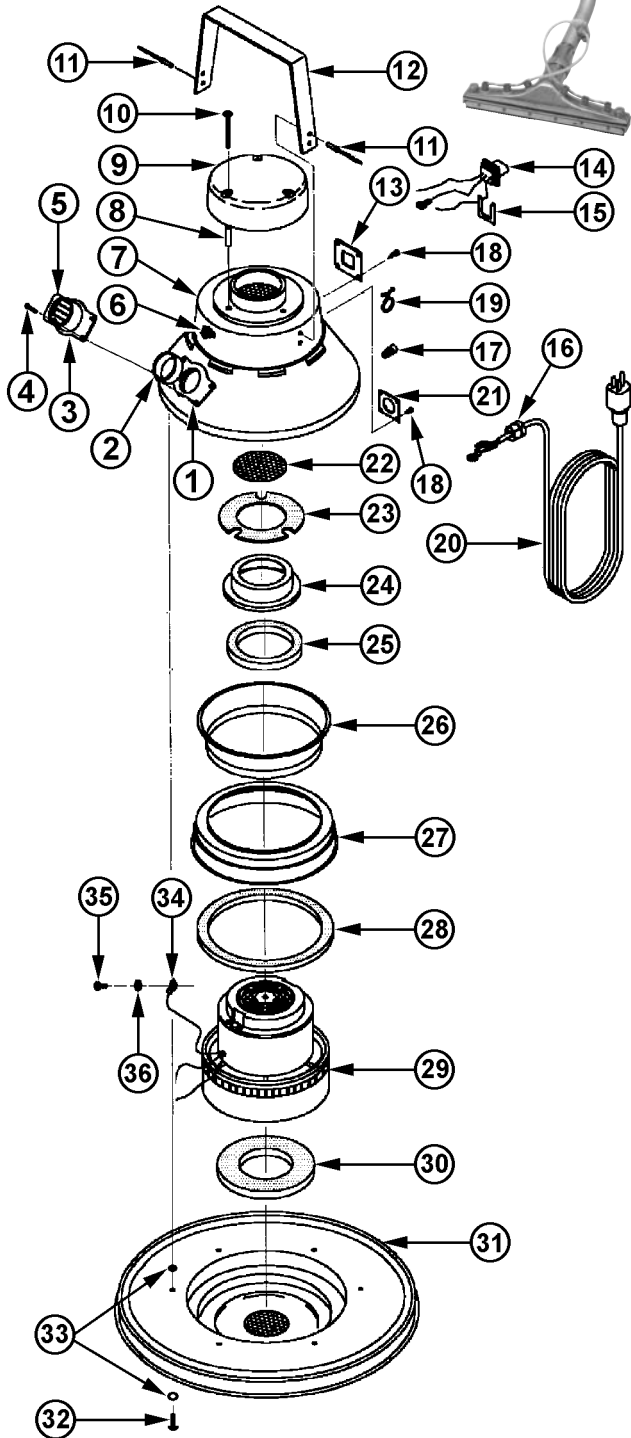
Ref No	Part Description	Qty	Part No
60	Ring Tank	1	337471
61	Plastic Tube	1	419613
62	Top Pump Housing	1	337323A
63	#10-24 X 1/2" Screw	4	385379
64	Elbow Assembly	1	415510
66	115V -100 PSI Pump	1	446785
67	Brass Fitting Assembly	1	415529
68	#10-32 X 3/4" Screw	2	337439
69	3/16 Burr Washer	2	322164
70	SS Hose Clamp	3	308536
71	Drain Assembly	1	415545
72	Hose Clamp	1	304948
73	2 1/2 Ft Pressure Hose	1	308544
75	Filter Assembly	1	415537
76	3" Pressure Hose	1	308552
77	Bottom Pump Housing	1	337307
78	Toggle Switch	1	324140
79	#10-24 Wellnut	2	337420
80	Orange Wire Nut	2	398985
81	18/3, 4 Ft White Line Cord	1	415871
82	Receptacle	1	341746
83	Receptacle Retaining Clip	1	341932
84	Receptacle Plate	1	367990
85	Yellow Wire Nut	3	350648
88	#6 X 3/8" Screw	6	372773
89	Strain Relief	1	443379



# SQUEEGEE, WAND & HOSE ASSY

Ref No	Part Description	Qty	Part No
1	1 1/2" Swivel Hose Connector	1	349445
2	15 Ft 1 1/2" Hose-In-Hose	1	313955
3A	Wand Assy w/Pressure Valve	1	338079
3B	Wand Assy.	1	429562
4	3/8" X 4 Ft Pressure Hose	1	304018
5	Twist Tie	4	302449
6	Squeegee & Nozzle Assembly	1	347256
7	Thumb Screw	2	315788
8	13 1/2" Squeegee Blade	2	312290
9	30" Inner Squeegee Blade	1	317764

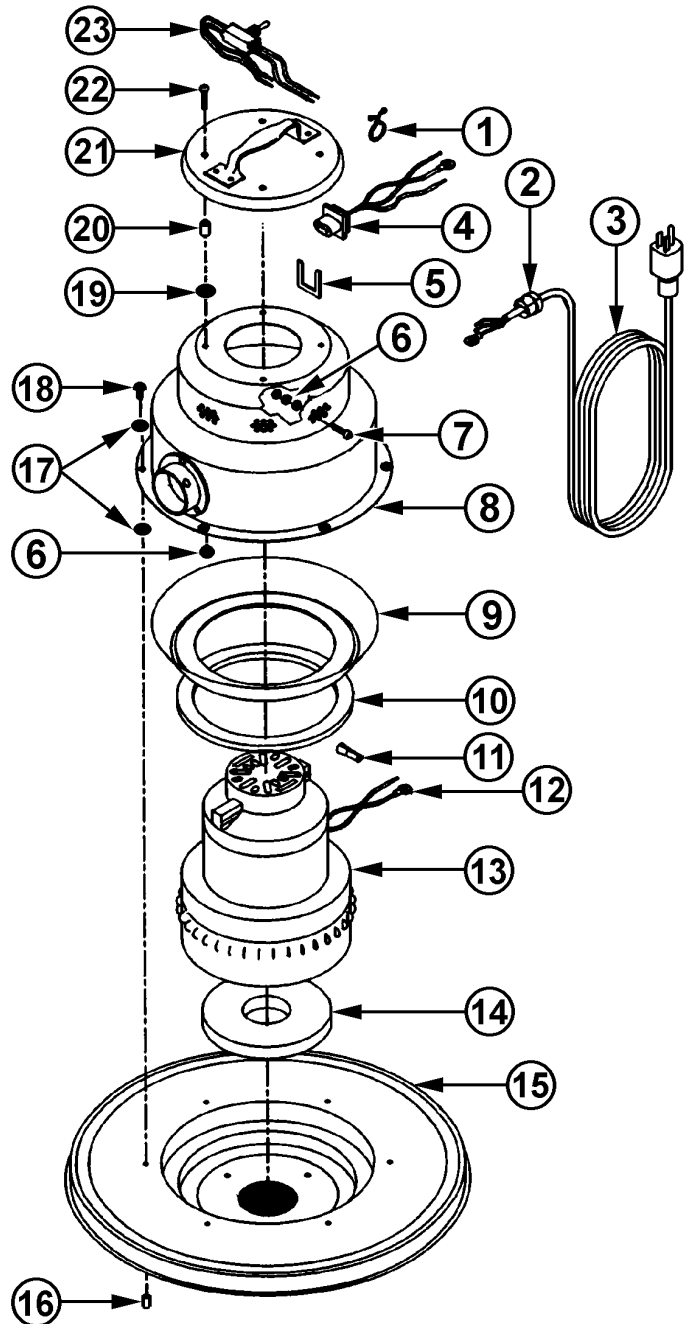
## 2 1/4 HP BY-PASS MOTOR HEAD



Ref No	Part Description	Qty	Part No
	16" Motor Head Assembly	1	369543
1	Exhaust Connector Gasket	1	364606
2	Flat Gasket	1	368008
3	Air Deflector Exhaust	1	367958
4	Tubular Rivets	4	348511
5	Exhaust Connector w/Pins	1	364665
6	Switch	1	324140
7	Dome Assembly	1	367818
8	Steel Spacer	3	367842
9	Dome Cover	1	367850
10	#10-24 X 1 <sup>3</sup> / <sub>4</sub> " Screw	3	366676
11	Handle Pop Rivets	4	318906
12	Carrying Handle	1	367834
13	Receptacle Mounting Plate	1	367990
14	115 Volt Convenience Outlet	1	341746
15	Retainer Clip	1	341932
16	Strain Relief	1	434299
17	Yellow Wire Connector	4	350648
18	#6-32 X 1/4" Screw	8	349402
19	Large Purse Lock	2	365483
20	30 Ft, 14/3 Line Cord	1	312789
21	Strain Relief Mounting Plate	1	367982
22	Disc Screen	1	367893
23	Pyrell Gasket	1	367885
24	Air Conductor Spinning	1	367974
25	Top Motor Gasket	1	317446
26	Motor Holdown Spinning	1	367915
27	Air Collector Assembly	1	367931
28	Flat Gasket	1	379158
29	115 Volt, 2 <sup>1</sup> / <sub>4</sub> HP Motor	1	304301
30	Motor Gasket	1	378607
31	16" Cover Assembly	1	373184
32	#10-24 X 1/2" Screw	6	372633
34	Electrical Terminal	1	319724
35	#10-24 X 3/4" Screw	1	337315
36	#10-24 Hex Nut w/Lockwasher	3	331201

## 2 HP BY-PASS MOTOR HEAD

Ref No	Part Description	Qty	Part No
	16" Motor Head Assembly	1	343684
1	Purse Lock	1	365483
2	Stain Relief	1	434299
3	30 Ft, 14/3 Line Cord	1	312789
4	Convenience Outer	1	341746
5	Retainer Clip	1	341932
6	#10-24 Hex Nut w/Lockwasher	3	331201
7	#10-24 X 3/4" Screw	1	337315
8	Dome Assembly	1	363162
9	Motor Holddown	1	396567
10	Circle Gasket	1	306975
11	Yellow Wire Connector	4	350648
12	Ground Lead w/Terminal	1	319724
13	115V, 2 HP By-Pass Motor	1	343641
14	Circle Gasket	1	303216
15	16" Cover Assembly	1	356492
16	Screw Protector	6	341649
17	#12 Internal Tooth Lockwasher	2	364037
18	#12-14 X 1 1/2" Screw	6	314595
19	Nylon Spacer	4	365084
20	Nylon Spacer	4	332186
21	Top Cover w/Handle	1	363057
22	#10-24 X 1.25" Screw	4	447552
23	Switch Assembly	1	324140



**Address:**  
 777 South Street  
 P. O. Box 2310  
 Newburgh, NY 12550-0606

**TEL:**  
 (800) 835-7812  
 (845) 565-8850

**FAX:**  
 (800) 752-6883  
 (845) 565-9392

**URL:**  
[www.floorcare.com](http://www.floorcare.com)  
**E-mail:**  
[mastercraft@floorcare.com](mailto:mastercraft@floorcare.com)