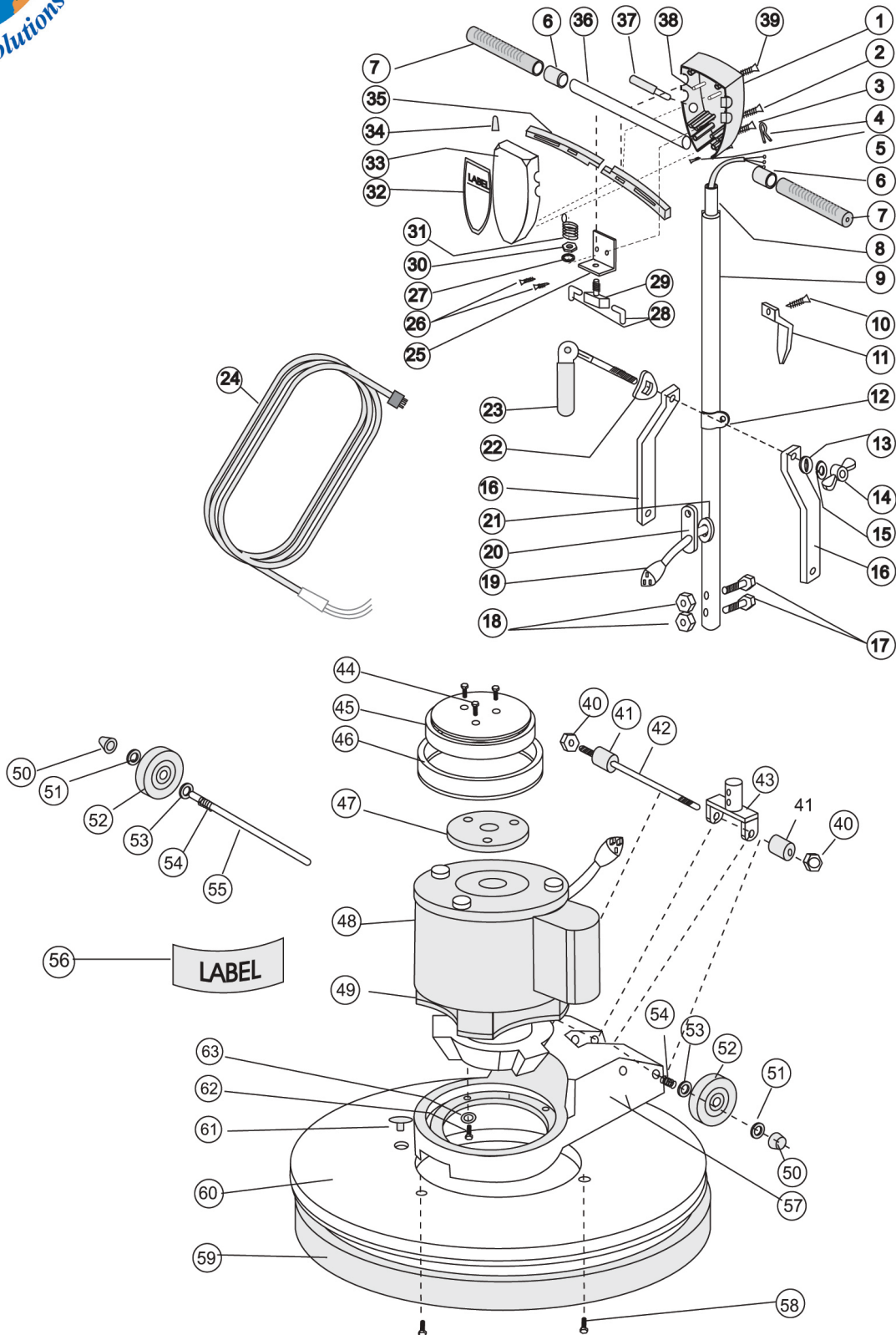




Hercules Super Heavy-Duty Floor Machine Schematic Drawing





Hercules Super Heavy-Duty Floor Machine Parts List

| Number | Description | PART # | # Required |
|--------|-------------------------------------|-------------------|------------|
| 1 | Switch Box Back | A-104 | 1 |
| 2 | Handle Tube Screw | B-23 | 2 |
| 3 | Switch Box Closing Screw | B-21 | 4 |
| 4 | Strain Relief Clip | M-213 | 1 |
| 5 | Ground Wire Screw | B-68 | 2 |
| 6 | Rubber Spacer | M-218 Y | 2 |
| 7 | Hand Grip | M-218 | 2 |
| 8 | Handle Tube Insert | M-247 | 1 |
| 9 | Handle Tube Assembly | M-206 | 1 |
| 10 | Cable Hook Screw | B-2 | 2 |
| 11 | Cable Hook | A-164 | 1 |
| 12 | Sliding Collar | A-111 | 1 |
| 13 | Oval Hole Cam Washer | B-37 | 1 |
| 14 | Cam Lock Wing Nut | B-25 | 1 |
| 15 | Cam Split Washer | B-39 | 1 |
| 16 | Bent Brace | M-216 | 2 |
| 17 | Yoke Bolt | B-18A | 2 |
| 18 | Yoke Nut | B-19 | 2 |
| 19 | Handle Tube Cable | G-16 | 1 |
| 20 | Black Rubber Cable Connector | M-249 | 1 |
| 21 | Cable Grommet | B-63 | 1 |
| 22 | Rectangular Hole Cam Washer | B-67 | 1 |
| 23 | Complete Cam Assembly | CCA | 1 |
| 24 | 50 Foot Cable 14/3 Yellow | G-14-50-Y | 1 |
| 25 | Switch Mounting Plate | G-30-B | 1 |
| 26 | Switch Plate Screw | B-1 | 2 |
| 27 | Int. Tooth Lock Washer (For Switch) | B-35 | 1 |
| 28 | Insulated Flag Wire Connector | G-48 | 2 |
| 29 | On-Off Switch And Plate Assembly | G-30-AB | 1 |
| 30 | Lock Washer | B-33 | 1 |
| 31 | Trigger Return Spring | G-30-CT057 | 1 |
| 32 | Label For Switch Box | CALL FOR # | 1 |
| 33 | Switch Box Front | A-103 | 1 |
| 34 | Wire Connector | G-47 | 1 |
| 35 | Trigger | A-105 | 2 |
| 36 | 16" Crossbar | M-211-A | 1 |
| 37 | Safety Interlock Assembly | SIA-1 | 1 |
| 38 | Trigger Pin | B-70 | 2 |
| 39 | Crossbar Screw | B-22 | 2 |
| 40 | Acorn Nut For Yoke Pin | B-8 | 2 |
| 41 | Rubber Yoke Spacer | B-5 | 2 |
| 42 | Yoke Pin | B-7 | 1 |
| 43 | Yoke | A-1001 | 1 |
| 44 | Drip Cap Mounting Screw | B-151 | 3 |
| 45 | 66 Frame Drip Cap Cover | M-242 | 1 |
| 46 | 66 Frame Drip Cap Cover Bumper | M-239 | 1 |
| 47 | Cork Drip Cap Gasket | M-248 | 1 |
| 48A | Motor 66 Frame 1 HP With Gearbox | MOTOR 1HP / GB | 1 |
| 48B | Motor 66 Frame 1.5 HP With Gearbox | MOTOR 1.5 HP / GB | 1 |
| 49 | Gear Box, 11:1, Triple Planetary | GB96008,L,H | 1 |
| 50 | Hub Caps | V0038 | 2 |
| 51 | Spring Washer | B-51 | 4 |
| 52 | 6" Wheels | M-245 | 2 |
| 53 | ½" Flat Washer | B-29 | 2 |
| 54 | Spring | B-30 | 2 |
| 55 | Axel | M-240 | 1 |
| 56 | Label for Motor | CALL FOR # | 1 |
| 57 | Main Machine Frame | A-166 | 1 |
| 58 | Cap Screw | B-31 | 4 |
| 59A | Bumper 15" | M-232-15 | 1 |
| 59B | Bumper 17" | M-232-17 | 1 |
| 59C | Bumper 19" | M-232-19 | 1 |
| 59D | Bumper 21" | M-232-21 | 1 |
| 60B | Apron 15" | A-167 | 1 |
| 60B | Apron 17" | A-169 | 1 |
| 60C | Apron 19" | A-171 | 1 |
| 60D | Apron 21" | A-172 | 1 |
| 61 | Scrubber Plug | B-50 | 1 |
| 62 | Base Casting Screw | B-95 | 3 |
| 63 | ¼" Medium Split Washer | B-32 | 3 |