

**MPV<sup>®</sup>**  
**Multi-Purpose**  
**Vacuum**

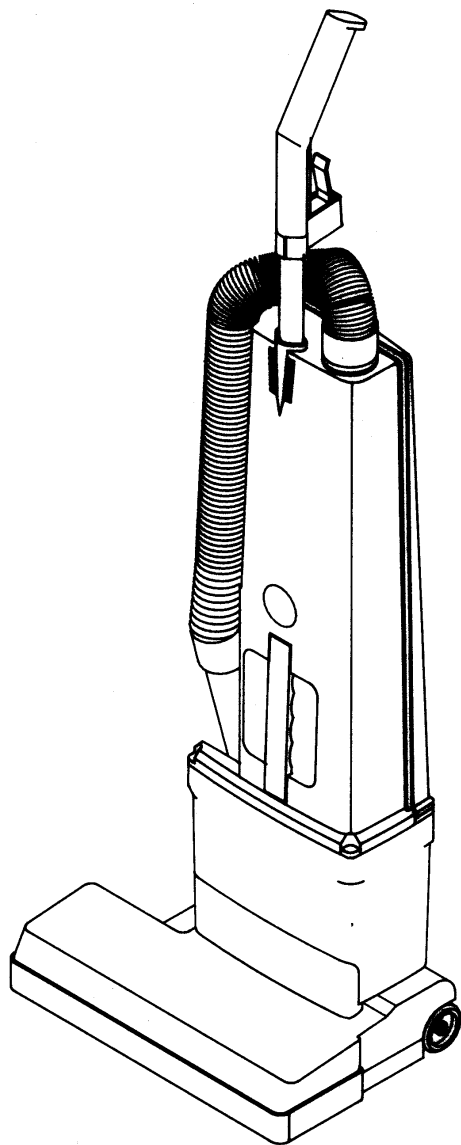
**Model:**  
**C37115-14**  
**C37240-14**  
**C37115-18**  
**C37240-18**

**OPERATION**

**SERVICE**

**PARTS**

**CARE**



Revised 10/03

***Minuteman***<sup>®</sup>

# EC Declaration of Conformity

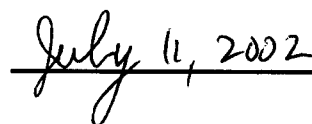
according to Directives 72/23, 89/392 and 89/336

We, Minuteman International Incorporated, of 111 South Rohlwing Road Addison Illinois 60101 USA, declare under our sole responsibility that the products C37240-14 and C37240-18 Commercial Upright Vacuums to which this declaration relates corresponds to the relevant requirements of the EC Directives 72/23, 89/392 and 89/336. The following standards were used to determine compliance with the Directives: EN 292, EN 294, EN 811, EN 55014, EN 55104 and EN 60335-2-69.

<b>SOUND</b>		<b>VIBRATION</b>						
<b>75 dB Operator</b>	<b>71 dB At 3m</b>	<b>4.4 m/s<sup>2</sup> At Operators Handle</b>						
Tests were conducted on 7/1/96 with calibrated sound and vibration equipment under the conditions noted below: <table style="width: 100%; margin-top: 10px;"> <tr> <td style="width: 33%;">General Condition: Cloudy</td> <td style="width: 33%;">Wind: 0 km/hr</td> </tr> <tr> <td>Temperature: 29<sup>o</sup>C</td> <td>Humidity: 85%</td> </tr> <tr> <td>Barometric Pressure: 29.5</td> <td></td> </tr> </table>			General Condition: Cloudy	Wind: 0 km/hr	Temperature: 29 <sup>o</sup> C	Humidity: 85%	Barometric Pressure: 29.5	
General Condition: Cloudy	Wind: 0 km/hr							
Temperature: 29 <sup>o</sup> C	Humidity: 85%							
Barometric Pressure: 29.5								

  
\_\_\_\_\_

*Jeff Pollack, Standards Engineer*

  
\_\_\_\_\_

*Date*

FOR COMMERCIAL USE ONLY

## IMPORTANT SAFETY INSTRUCTIONS

When using an electrical appliance, basic precautions should always be followed, including the following:

### READ ALL INSTRUCTIONS BEFORE USING

**WARNING - To reduce the risk of fire, electric shock, or injury: Electric shock could occur if used outdoors or on wet surfaces.**

- Do not leave appliance when plugged in. Unplug from outlet when not in use and before servicing.
- Never allow children or untrained adults to operate this equipment.
- Keep the area of operation clear of all persons, particularly small children, and pets. Keep bystanders at least 25 feet away from the area of operation.
- Use only as described in this manual. Use only manufacturer's recommended attachments.
- Do not use with damaged cord or plug. If appliance is not working as it should, as been dropped, damaged, left outdoors, or dropped into water, return it to a service center.
- Do not pull or carry by cord, use cord as a handle, close a door on cord, or pull cord around sharp edges or corners. Do not run appliance over cord. Keep cord away from heated surfaces.
- Do not unplug by pulling on cord. To unplug, grasp the plug, not the cord.
- Do not handle plug or appliance with wet hands.
- Do not put any object into openings. Do not use with any opening blocked; keep free of dust, lint, hair, and anything that may reduce air flow.
- Keep hair, loose clothing, fingers, and all parts of body away from openings and moving parts.
- Do not pick up anything that is burning or smoking, such as cigarettes, matches, or hot ashes.
- Do not use without dustbag and/or filters in place.
- Turn off all controls before unplugging.
- Use extra care when cleaning on stairs.
- Do not use to pick up flammable or combustible liquids such as gasoline or use in areas they may be present.
- Connect to a properly grounded outlet only. See grounding instructions.
- This appliance is not suitable for removal of dusts that are dangerous to health.
- This appliance is suitable only for dry cleaning and must not be used out doors.
- The power cord should be inspected regularly for signs of damage. Do not use if the cord is damaged.

**SAVE THESE INSTRUCTIONS**

## INSPECTION

Carefully unpack and inspect your machine for shipping damage. Each unit is tested and thoroughly inspected before shipment, and any damage is the responsibility of the delivery carrier who should be notified immediately.

## USER MAINTENANCE INSTRUCTIONS

All service and repair should be performed by qualified service representative or electrician. No user serviceable components are employed in the electrical system. No lubrication of the motor is required.

While not in use storage can be accomplished by winding cord around rear of machine. Cord hooks are provided.

This equipment should be stored indoors and not exposed to rain.

## ELECTRICAL - Model C37115-14, 18

This machine is designed to operate on a standard 15 amp. 120 volt, 60 hz, AC circuit. Voltages below 105 volts AC or above 125 volts AC could cause serious damage to the motor.

## ELECTRICAL - Model C37240-14, 18

This machine is designed to operate on a standard 10 amp. 230 volt, 50 hz, AC circuit.

## WARNING

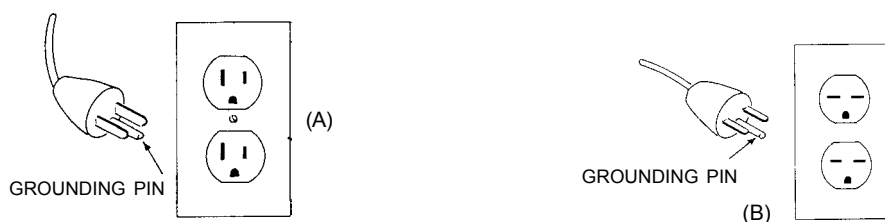
Electric motors can cause explosions when operated near explosive materials or vapors. Do not operate this machine near flammable materials such as solvents, thinners, fuels, grain dust, etc.

## GROUNDING INSTRUCTIONS (120V only)

This appliance must be grounded. If it should malfunction or breakdown, grounding provides a path of least resistance for electric current to reduce the risk of electric shock. This appliance is equipped with a cord having an equipment-grounding conductor and grounding plug. The plug must be plugged into an appropriate outlet that is properly installed and grounded in accordance with all local codes and ordinances.

**DANGER** - Improper connection of the equipment-grounding conductor can result in a risk of electric shock. Check with a qualified electrician or service person if you are in doubt as to whether the outlet is properly grounded. Do not modify the plug provided with the appliance — if it will not fit the outlet, have a proper outlet installed by a qualified electrician.

This appliance is for use on a nominal 120-volt circuit and has a grounding plug that looks like the plug illustrated in sketch A below. Make sure that the appliance is connected to an outlet having the same configuration as the plug. No adapter should be used with this appliance.



## POUR USAGE COMMERCIAL SEULEMENT

### MODE D'EMPLOI SECURITAIRE

Lorsque l'on utilise un appareil électrique, des précautions de base doivent toujours être suivies telles que:

### BIEN LIRE LE MODES D'EMPLOI AVANT USAGE

**AVERTISSEMENT** - Pour réduire les risques de feu, choc électrique ou blessure:

- Pour réduire les risques des chocs électriques - Ne pas exposer à la pluie - Entreposer à l'intérieur.
- Ne pas quitter l'appareil lorsque la prise de courant est branchée. Débrancher de la sortie électrique lorsque la machine n'est pas en usage ou pour en faire le service.
- Ne jamais laisser des enfants ou des adultes inexpérimentés faire fonctionner cet appareil.
- Garder la zone de fonctionnement libre de toute personne, particulièrement les petits enfants et les animaux. Garder les spectateurs à une distance d'au moins 7,6 mètres (25 pieds) de la zone de fonctionnement.
- Utiliser tel que prescrit dans le livre d'opération et seulement avec les attachements recommandés par le fabricant.
- Ne pas s'en servir avec corde ou prise de courant endommagée. Si l'appareil ne fonctionne pas ou a été échappé, endommagé, entreposé à l'extérieur ou déposé dans l'eau, l'appareil devrait être envoyé à un département de service pour inspection.
- Ne pas tirer ou porter par le câble ou se servir du câble comme poignée. Ne pas fermer de portes sur le câble ou tirer le câble près d'objets pointus. Ne pas conduire l'appareil en écrasant le câble et soyez certain de protéger le câble entre toutes surfaces de chauffage.
- Ne pas débrancher en se servant du câble. Pour débrancher tirer sur la prise et non sur câble.
- Ne pas manipuler la prise ou l'appareil avec les mains mouillées.
- Ne placer aucun objet dans la sortie et ne pas s'en servir si la sortie est obstruée. Eliminer toute poussière, maillon, cheveux ou quoique ce soit qui pourrait réduire le mouvement d'air.
- N'exposer aucun cheveux, vêtement, doigts ou autres aux ouvertures de l'appareil.
- Ne rien ramasser de ce qui brûle ou de fumée tels que cigarettes, allumettes ou cendres en feu.
- Ne pas employer sans filtre de poussière ou autre en position.
- Fermer tous les contrôles après utilisation.
- Soyez très prudent lors du nettoyage d'escaliers.
- Ne pas ramasser de liquide inflammable ou combustible tel que gazoline et ne pas utiliser dans les endroits où ces derniers pourraient être présents.
- Brancher dans une prise avec une prise de terre seulement. Voir références pour prise de terre.

**CONSERVEZ CES RECOMMANDATIONS  
DE MODE D'EMPLOI**

## INSPECTION

Déballer soigneusement et inspecter la possibilité de tout dommage apparent. Chaque machine est complètement inspectée à l'usine et les dommages de transit sont la responsabilité de la compagnie de transport qui devrait être prévenue immédiatement.

## INSTRUCTIONS A L'UTILISATEUR

Toute réparation ou entretien doit être fait par un représentant de service qualifié ou un électricien. Aucune pièce de la tête de l'aspirateur ne nécessite d'entretein de la part de l'utilisateur. Aucune lubrification du moteur n'est requise.

Si non en service, on peut le ranger en enroulant le cordon à l'arrière autour des crochets.

Cet équipement doit être rangé à l'intérieur.

## ELECTRICITE – Model C37115-14, 18

Cette machine est concue pour opérer sur un circuit standard de 15 amp. 115 volt, 60 hz, circuit AC. Tous voltages en bas de 105 volts AC ou au delà de 125 volts AC pourrait occasionner des dommages au moteur.

## ELECTRICITE – Model C37240-14, 18

Cette machine est concue pour opérer sur un circuit standard de 10 amp. 230 volt, 50 hz, circuit AC.

## AVERTISSEMENT

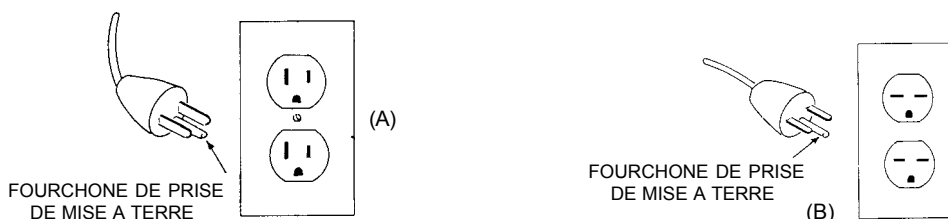
Les moteurs électriques peuvent être la cause d'explosion si utilisés près de matériaux ou vapeurs explosifs. Ne pas opérer près de matériaux inflammables tels que solvant, gazolines, poussière de grain, etc.

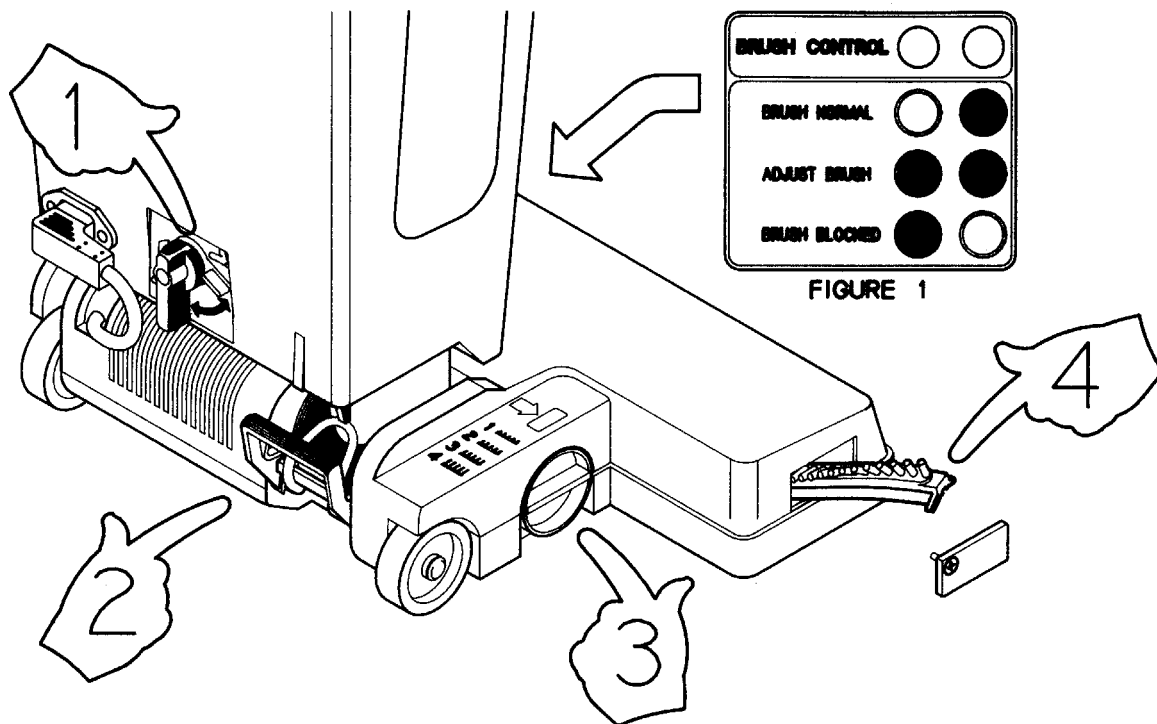
## INSTRUCTIONS POUR PRISE DE TERRE (120V)

Cet appariel doit posséder une prise de terre, S'il y avait malfonction ou brisure, une prise de terre offre une voie de moindre résistance de facon à ce que le courant électrique réduise le risqué de choc. Cet appareil est équipé d'une prise de terre de même qu'une prise de courant avec prise de terre. Cette prise doit être déposée dans une sortie adéquate qui sera installée selon les exigences et les lois locales.

**DANGER** – Un mauvais assemblage du conducteur de prise de terre pourrait causer un risque de choc électrique. Vérifier auprès d'un électricien certifié ou d'une personne qualifiée si vous avez des doutes à savoir si la prise est bien complétée. Ne pas modifier la prise qui vient avec cet appariel. Si la prise n'accède pas à la sortie, un électricien qualifié devrait la remplacer.

Cet appareil doit être utilisé sur un circuit de nominal de 115/120 volt et posséder une prise de terre qui ressemble à la prise illustrée dans le schéma A. Bien vous assurer que la sortie de courant soit de la même configuration que la prise. Aucun adaptateur ne doit être utilisé avec cet appareil.





## GENERAL INSTRUCTIONS

### 1. Installation/Removal of Brush Head

Brush head can be removed by turning knob to the right. The brush head can now be separated from vacuum housing.

### 2. Handle Release

To release the machine from upright position, push down on foot release as shown in example 2.

### 3. Brush Adjustment (3) / Electronic Control (Figure 1)

Brush adjustment is made by rotating knob (3) to desired position. Always start at the highest setting and rotate to lower setting if needed (see explanation below). The two indicator lights on the brush head allows the operator to monitor brush performance. When only the GREEN LIGHT is on, brush setting is correct. When both the GREEN and RED LIGHTS are on, the brush setting is too high. Lower brush setting until the RED LIGHT goes out.

RED LIGHT may flicker when used on low nap commercial grade glue down type carpet. If RED LIGHT remains on continuously during brush operation at lowest setting (1), brush strip should be replaced. If BRUSH ASSY is obstructed, electronic control will shut off brush motor. Turn machine off and UNPLUG from ELECTRICAL OUTLET. Clear obstruction from brush assembly and restart.

### 4. Bristle Insert Replacement

Remove cover and pull brush strip out. Insert new brush strip and push it in all the way. Replace cover. CAUTION: Unplug unit from electrical outlet.

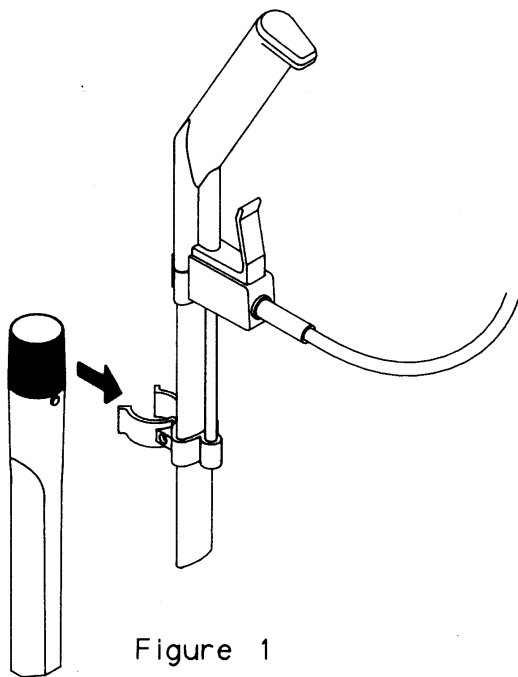


Figure 1

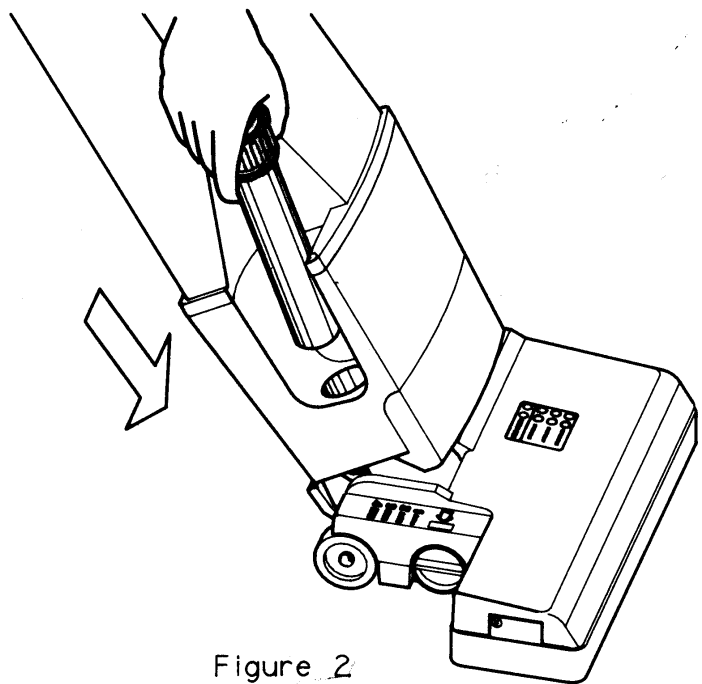


Figure 2

### 1. Tool Storage

Tools should be installed as shown in Figure 1. The smaller lower section of the tools should be snapped into the retainers.

### 2. Accessory Hose (Figure 2)

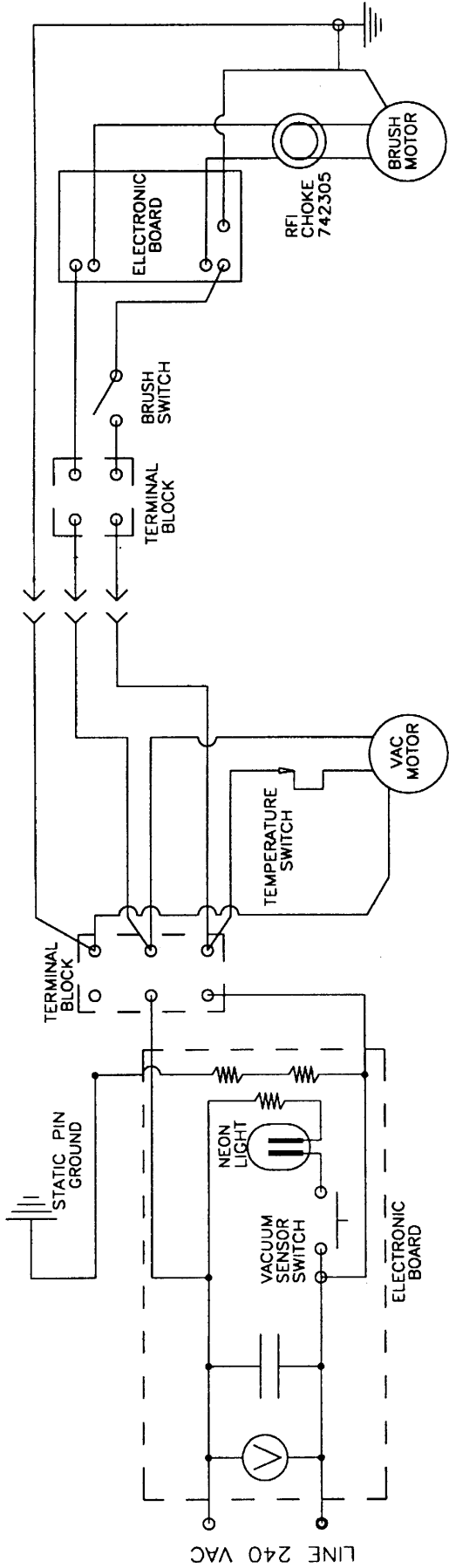
The vacuum hose can be used for direct suction use or with accessory tools. Simply pull out from base to use. NOTE: The brush motor turns off when the hose is removed from the housing.

### 3. Full Bag Indicator

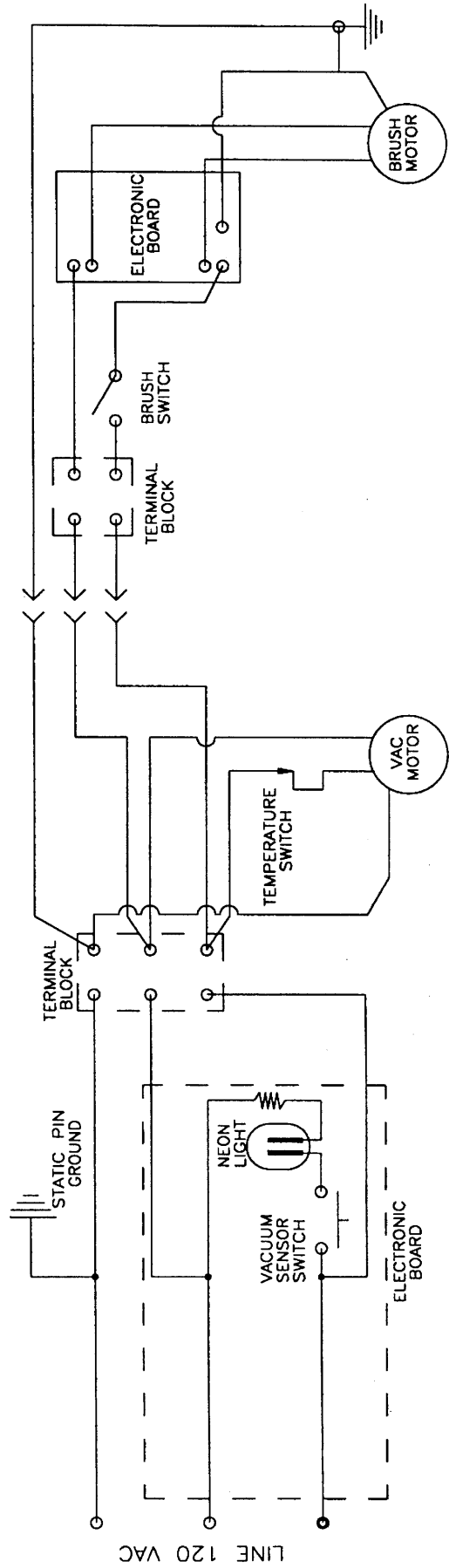
The indicator light will illuminate when the collection bag is full or when there is a blockage in the hose or brush head. Indicator light is next to on/off switch.

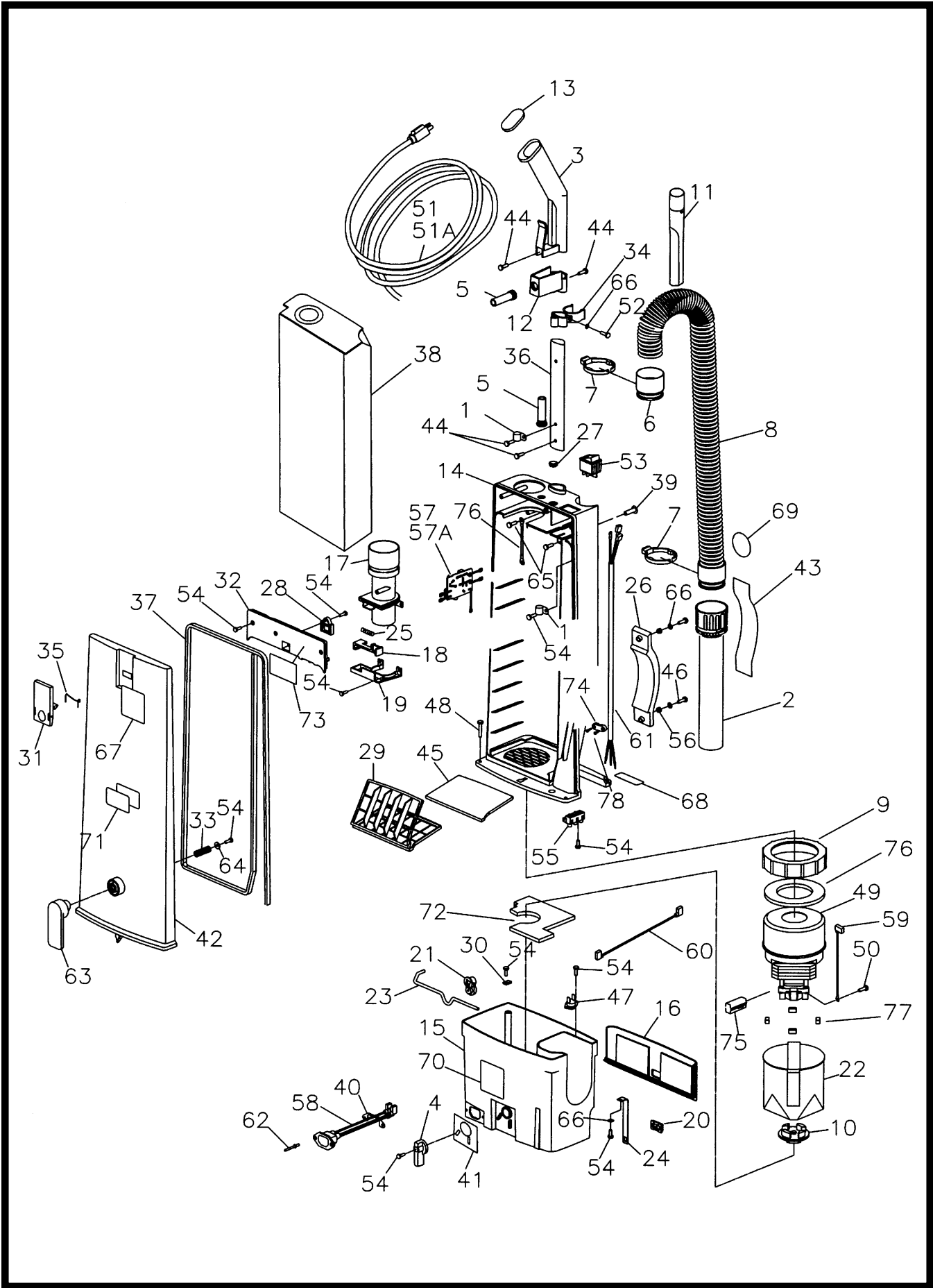


# WIRING DIAGRAM 230 VAC



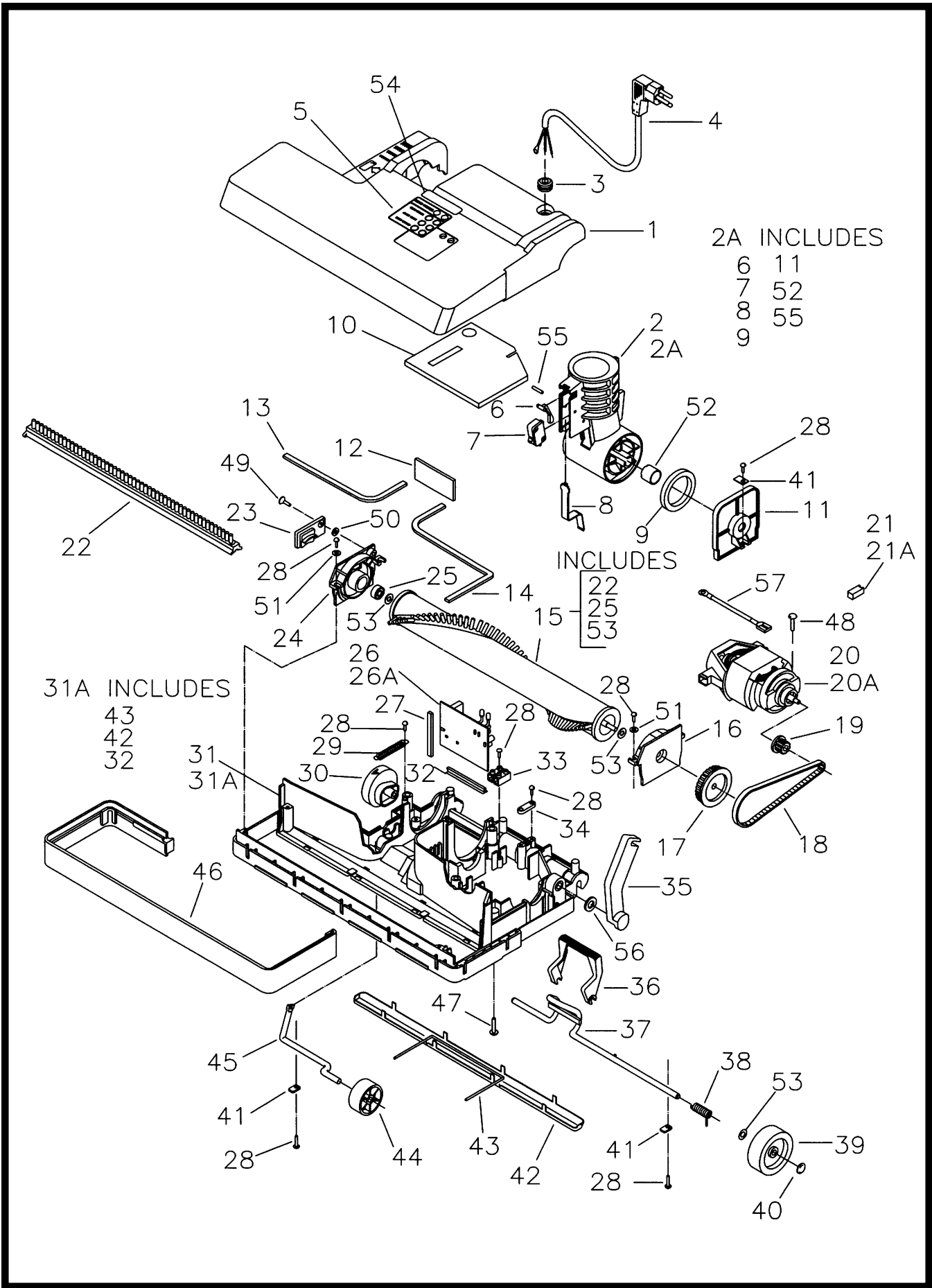
# WIRING DIAGRAM 120 VAC





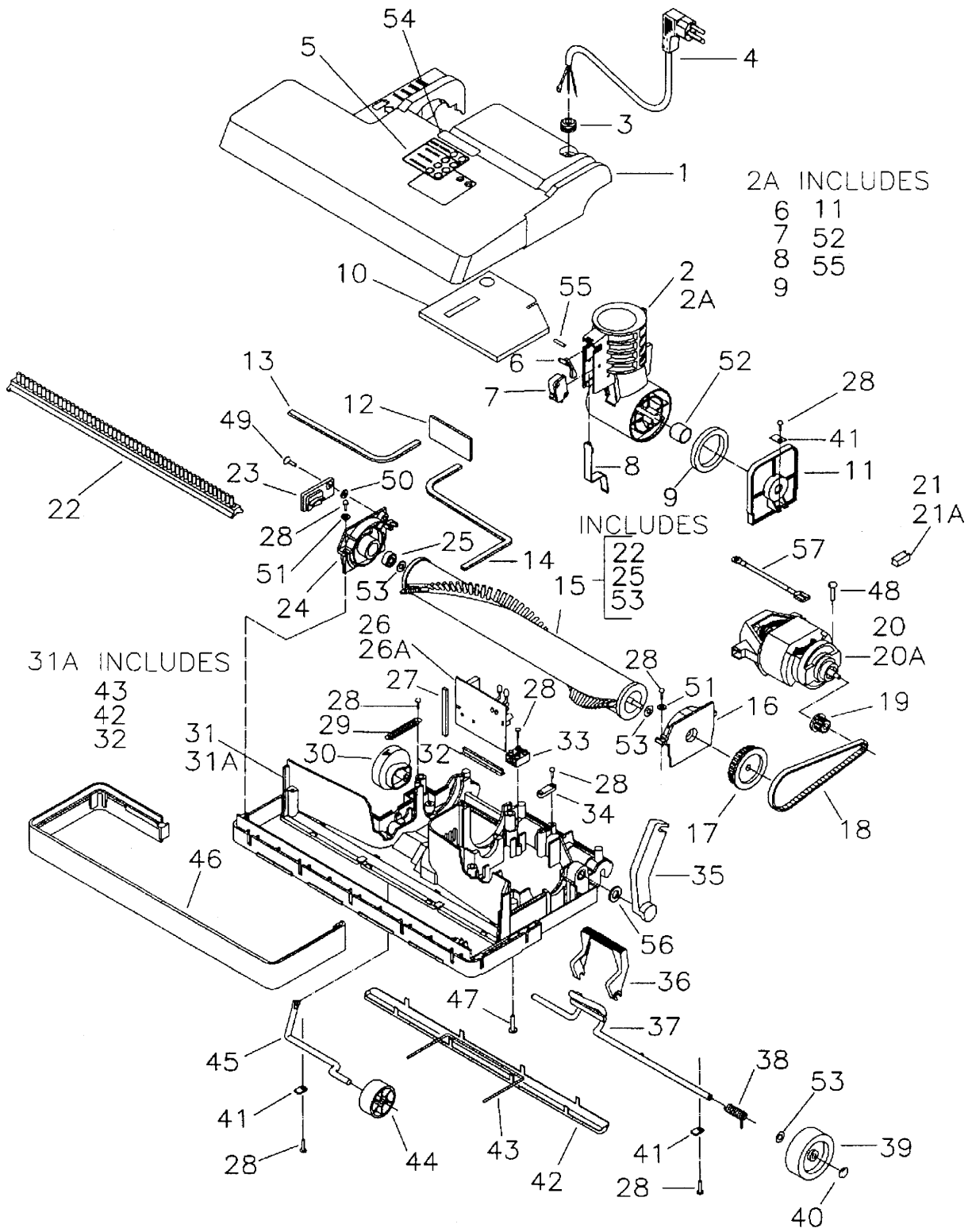
# Parts List

Item	Part No.	Qty.	Description	Item	Part No.	Qty.	Description
1	250039	2	Clamp	41	715171	1	Decal Base Release NS
2	370012G	1	Wand Upright	42	370206B	1	Housing Rear Cover
3	370014B	1	Upright Handle	43	715172	1	Decal Insert Handle
4	370019	1	Housing Release Knob	44	711168	4	SCR-ST-B 10-32 x .50 PL
5	370026	2	Cord Strain Relief	45	730203	1	Filter, Foam
6	370027G	2	Hose Lock Fitting	45A	53660	1	Hospital Filter, pkg. of 10
7	370029G	2	Hose Lock Ring	46	710130	2	SCR-MC 8-32 x .62 ST NI
8	370036G	1	Upright Vac Hose	47	740250	1	Thermodisc
9	370057	1	Vac Motor Gasket	48	710362	4	SCR-MC 10-32 x 1.25 STPL
10	370072	1	Vac Motor Dampener	49	740704	1	Vac Motor 120V
11	370097	1	Crevice Tool	49A	740905	1	Vac Motor 230V
12	370137B	1	Strain Relief Housing	50	711124	1	SCR-ST-B 10 x .37 NI
13	370138B	1	Handle Cover Cap	51	740705	1	Power Cord Upright 120V
14	370173B	1	Housing, Upper Front	51A	740083	1	Power Cord Upright 230V
15	370175B	1	Housing, Vac Motor	52	711161	1	SCR HI-LO 10 x 3/4 PL
16	370213B	1	Filter, Door Assembly	53	740711	1	Switch
17	370177B	1	Coupling, Hose	54	711181	14	SCR-ST-B HI-LO 8 x .50 PL
18	370178B	1	Latch, Bag Clip	55	740726	1	Terminal, Screw/Tab
19	370179B	1	Cover, Bag Latch	56	711372	2	Nut-Nyloc 8-32
20	370181B	1	Button, Filter Cover	57	740734	1	PC Board Multi-Vac 120V
21	370182	1	Cam Lock and Release	57A	740727	1	PCB RFI w/Bag Switch
22	370183	1	Cover, Vac Motor	58	740728	1	Receptacle AC Power
23	370184	1	Wire Form, Lock-Release	59	740730	1	Wire Assembly, Grounding
24	370185	1	Spring Cover Button	60	740731	1	Wire Assembly
25	370186	1	Spring Bag Latch	61	741011	1	Wire Harness
26	370187B	1	Handle Transport	62	410-4419AA	2	Pop Rivet
27	370188	1	Lense-Bag Full Light	63	370194B	1	Cord Hook
28	370189B	1	Cover, Latch	64	711503	1	WSR-Flat #10
29	370190	1	Filter Frame, Vac Motor	65	710355	2	SCR-MC 10-32 x .50 STPL
30	370191	2	Tab, Hold Down	66	711502	3	WSR-Flat #8
31	370192B	1	Latch	67	715154	1	Decal Caution Ins
32	370193B	1	Cover, Electronics	68	715155	1	Decal Insert Hose
33	370195	1	Spring, Cord Hook	69	715229	1	Decal, Runner
34	370196G	1	Accessory Clip	71	715015	1	Decal Warning
35	370197	1	Spring Bag Cover Latch	72	370207	1	Insulator Pad, Vac Motor
36	370198	1	Handle	73	715178	1	Decal Bag Install
37	370199	1	Gasket	74	190010	1	Strain Relief
38	370202PKG	1	Bag, pkg. of 10	75	370068	2	Carbon Brush (740704)
38A	370218	1	Cloth Bag	76	740789	1	Wire Assembly, Grounding
38B	53638	1	Hospital Bag, pkg. of 10	77	370149	4	Gasket, Motor Cover
39	711401	1	Nut-Riv 10-32	78	710128	2	SCR-TR HD 1/4-20 x .50
40	370204	1	Backer Plate				



# 14" Head Assembly Parts List

Item	Part No.	Qty.	Description
1	370006B	1	Brush Base Top Cover
2	370117	1	Coupling Housing/Base
2A	370141	1	Coupling Housing/Comp.
3	370088	1	Line Cord Grommet
4	740729	1	Power Cord Molded Plug
5	715146	1	Decal Brush Monitor
6	370030	1	Upright Switch Finger
7	740701	1	Switch Mini
8	370059	1	Coupling Switch Cover
9	370203	2	Felt Ring Coupling Flange
10	370210	1	Insulator Brush Motor 14
11	370008	2	Coupling Pivot Plate
12	370085	1	Felt Strip, Base Cover
13	370091	1	Gasket, Intake Cover 8"
14	370090	1	Gasket, Intake Cover 11"
15	370277	1	Brush Assy. Complete MPV 14
16	370022	1	Brush End Plate/Drive
17	370052	1	Brush Drive Pulley
18	370043	1	Belt Brush Drive
19	370209	1	Pulley, Brush Motor
20	740700	1	Brush Motor 14" 120V
20A	740900	1	Brush Motor 14" 240V
21	370069	2	Carbon Brush 120V
21A	740899	2	Carbon Brush 240V
22	370083	1	Brush Strip Assembly, 14"
23	370044	1	Brush Strip Door
24	370023	1	Brush End Plate/Idle
25	370077	1	Bearing, Upright Brush
26	740719	1	Elect Brush Control 120V
26A	740725	1	Elect Brush Control 240V
27	370092	1	Circuit Board Cushion 3"
28	711181	13	SCR-ST-B HI-LO 8 x .50 PL
29	370076	1	Spring Front Axle
30	370032	1	Vacuum Head Cam
31	370005	1	Brush Base
31A	370151	1	Base Assy. (31, 32, 42, 43)
32	370152	1	Rub Strip Replacement
33	740036	2	Terminal Block
34	370064	1	Strain Relief Cover
35	370180	1	Support, Side Arm
36	370021	1	Upright Foot Release
37	370045	1	Upright Rear Axle
38	370073	1	Spring, Upright Axle
39	370009	2	Wheel 2 in. Molded
40	370074	2	Hubcap Upright
41	370075	7	Plate, Axle Retainer
42	370047	2	Brush - Metal Protector
43	370071	1	Wire Formed Protector
44	370031	1	Center Wheel 1.5 Molded
45	370050	1	Center Wheel Axle
46	370040	1	Bumper Molded
47	710362	4	SCR-MC 10-32 x 1.25 STPL
48	710130	2	SCR-MC 8-32 x .62 ST NI
49	710010	1	SCR-MC 6-32 x .37 OH
50	370084	1	Pushnut Bolt Retainer
51	711502	4	WSR-Flat #8
52	370172	2	Bearing, Multi-Vac Neck
53	711577	2	WSR-Flat .260 x .05 x .020
54	715156	1	Decal Caution Brush Start
55	370113	2	Straight Knurled Pin
56	711523	1	WSR-Wave .37 x .68 x .08
57	740799	1	Wire Assy. Grounding



# 18" Head Assembly Parts List

Item	Part No.	Qty.	Description
1	370119B	1	Brush Base Top Cover 18 in.
2	370117	1	Coupling Housing/Base
2A	370141	1	Coupling Housing/Comp.
3	370088	1	Line Cord Grommet
4	740729	1	Power Cord Molded Plug
5	715162	1	Decal Brush Control
6	370030	1	Upright Switch Finger
7	740701	1	Switch Mini
8	370059	1	Coupling Switch Cover
9	370203	2	Felt Ring Coupling Flange
10	370211	1	Insulator Brush Motor 18 in.
11	370008	2	Coupling Pivot Plate
12	370085	1	Felt Strip, Base Cover
13	370091	1	Gasket, Intake Cover 8"
14	370090	1	Gasket, Intake Cover 11"
15	370126	1	Brush Assy. Comp. MPV 18
16	370022	1	Brush End Plate/Drive
17	370052	1	Brush Drive Pulley
18	370174	1	Belt Brush Drive
19	370209	1	Pulley, Brush Motor
20	740718	1	Brush Motor 18" 120V
20A	740724	1	Brush Motor 18" 240V
21	370069	2	Carbon Brush 120V
21A	740899	2	Carbon Brush 240V
22	370128	1	Brush Strip Assy. 18"
23	370044	1	Brush Strip Door
24	370023	1	Brush End Plate/Idle
25	370077	2	Bearing, Upright Brush
26	740719	1	Elect Brush Control 120V
26A	740725	1	Elect Brush Control 240V
27	370092	1	Circuit Board Cushion 3"
28	711181	17	SCR-ST-B HI-LO 8 x .50 PL
29	370076	1	Spring Front Axle
30	370032	1	Vacuum Head Cam
31	370118	1	Brush Base 18"
31A	370144	1	Base Assy. (31, 32, 42, 43)
32	370152	1	Rub Strip Replacement
33	740036	1	Terminal Block
34	190010	1	Strain Relief Cover
35	370180	1	Support, Side Arm
36	370021	1	Upright Foot Release
37	370132	1	Rear Axle 18"
38	370073	1	Spring, Upright Axle
39	370129	2	Wheel 2 in. Molded
40	370074	2	Hubcap Upright
41	370075	9	Plate, Axle Retainer
42	370121	2	Metal Protector 18"
43	370071	1	Wire Formed Protector
44	370143	2	Center Wheel w/Bushing
45	370130	1	Center Wheel Axle 18"
46	370120	1	Bumper Molded 18"
47	710362	5	SCR-MC 10-32 x 1.25 STPL
48	710130	2	SCR-MC 8-32 x .62 ST NIK
49	710010	1	SCR-MC 6-32 x .37 OH
50	370084	1	Pushnut Bolt Retainer
51	711502	4	WSR-Flat #8
52	370172	2	Bearing, Multi-Vac Neck
53	711577	4	WSR-Flat .260 x .05 x .020
54	715156	1	Decal Caution Brush Start
55	370113	2	Straight Knurled Pin
56	711523	1	WSR-Wave .37 x .68 x .08
57	740799	1	Wire Assy. Grounding
58	370133	1	Wire Protector 18"

# LIMITED WARRANTY

Minuteman International, Inc. warrants to the original purchaser/user that this product is free from defects in workmanship and materials under normal use and service for a period of three years from date of purchase. In addition, Minuteman International, Inc. will, at its option, honor labor warranty claims for the first 12 months from date of sale, provided such claims are submitted through and approved by factory authorized repair stations. Minuteman International, Inc. will, at its option, repair or replace without charge, except for transportation costs, parts that fail under normal use and service when operated and maintained in accordance with the applicable operation and instruction manuals.

This warranty does not apply to normal wear, or to items whose life is dependent on their use and care, such as belts, cords, switches, hoses, rubber parts, electrical motor components or adjustments. Parts not manufactured by Minuteman International, Inc. such as engines, batteries, battery chargers, hydraulic pumps, and tires are covered by and subject to the warranties and/or guarantees of their manufacturers. Please contact Minuteman International, Inc. for procedures in warranty claims against these manufacturers.

**Special warning to purchaser** — Use of replacement filters and/or prefilters not manufactured by Minuteman International, Inc. or its designated licensees, will void all warranties expressed or implied.

A potential health hazard exists without exact original equipment replacement.

All warranted items become the sole property of Minuteman International, Inc. or its original manufacturer, whichever the case may be.

Minuteman International, Inc. disclaims any implied warranty, including the warranty of merchantability and the warranty of fitness for a particular purpose. Minuteman International, Inc. assumes no responsibility for any special, incidental or consequential damages.

This limited warranty is applicable only in the U.S.A. and Canada, and is extended only to the original user/purchaser of this product. Customers outside the U.S.A. and Canada should contact their local distributor for export warranty policies. Minuteman International, Inc. is not responsible for costs or repairs performed by persons other than those specifically authorized by Minuteman International, Inc. This warranty does not apply to damage from transportation, alterations by unauthorized persons, misuse or abuse of the equipment, use of non-compatible chemicals, or damage to property, or loss of income due to malfunctions of the product.

If a difficulty develops with this machine, you should contact the dealer from whom it was purchased.

This warranty gives you specific legal rights, and you may have other rights which vary from state to state. Some states do not allow the exclusion or limitation of special, incidental or consequential damages, or limitations on how long an implied warranty lasts, so the above exclusions and limitations may not apply to you.

## **Minuteman<sup>®</sup>**

**World Headquarters**  
Minuteman International, Inc.  
111 South Rohlwing Road  
Addison, Illinois 60101

Minuteman Canada, Inc.  
2210 Drew Road  
Mississauga, Ontario  
L5S 1B1

(630) 627-6900  
FAX (630) 627-1130

(905) 673-3222  
FAX (905) 673-5161

985403  
Printed in U.S.A.