

Special Series Floor Machines

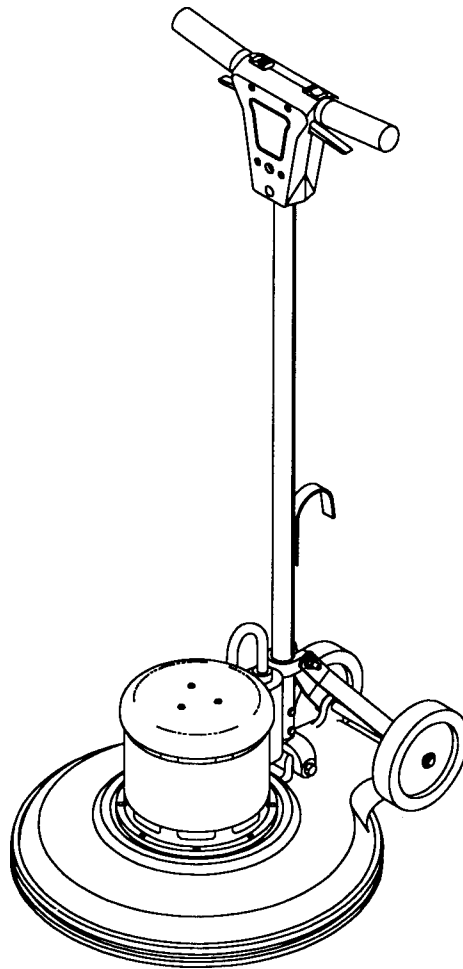
**Model:
M13075-00, 01**

OPERATION

SERVICE

PARTS

CARE



Revised 8/98

Minuteman[®]

FOR COMMERCIAL USE ONLY

IMPORTANT SAFETY INSTRUCTIONS

When using an electrical appliance, basic precautions should always be followed, including the following:

READ ALL INSTRUCTIONS BEFORE USING

WARNING - To reduce the risk of fire, electric shock, or injury:

- Do not leave appliance when plugged in. Unplug from outlet when not in use and before servicing.

WARNING

To reduce the risk of electrical shock - Do not expose to rain. Store indoors.

- Never allow children or untrained adults to operate this equipment.
- Keep the area of operation clear of all persons, particularly small children, and pets. *Keep bystanders at least 25 feet away from the area of operation.*
- Use only as described in this manual. Use only manufacturer's recommended attachments.
- Do not use with damaged cord or plug. If appliance is not working as it should, has been dropped, damaged, left outdoors, or dropped into water, return it to a service center.
- Do not pull or carry by cord, use cord as a handle, close a door on cord, or pull cord around sharp edges or corners. Do not run appliance over cord. Keep cord away from heated surfaces.
- Do not unplug by pulling on cord. To unplug, grasp the plug, not the cord.
- Do not handle plug or appliance with wet hands.
- Do not put any object into openings. Do not use with any opening blocked; keep free of dust, lint, hair, and anything that may reduce air flow.
- Keep hair, loose clothing, fingers, and all parts of body away from openings and moving parts.
- Do not pick up anything that is burning or smoking, such as cigarettes, matches, or hot ashes.
- Do not use without dustbag and/or filters in place.
- Turn off all controls before unplugging.
- Use extra care when cleaning on stairs.
- Do not use to pick up flammable or combustible liquids such as gasoline or use in areas where they may be present.
- Connect to a properly grounded outlet only. See grounding instructions.

SAVE THESE INSTRUCTIONS

INSPECTION

Carefully unpack and inspect your machine for shipping damage. Each unit is tested and thoroughly inspected before shipment, and any damage is the responsibility of the delivery carrier who should be notified immediately.

WARNING

- Read Instruction Manual before operating this piece of equipment.
- To reduce the risk of fire use only commercially available floor cleaners and waxes intended for machine application.
- To reduce the risk of electrical shock, do not expose to rain. Store indoors.
- Electrical motors and components can cause an explosion when operated near volatile materials and vapors. Do not use this machine near flammable materials such as solvents, thinners, fuels, grain dust, etc.

ELECTRICAL - 115 Volt

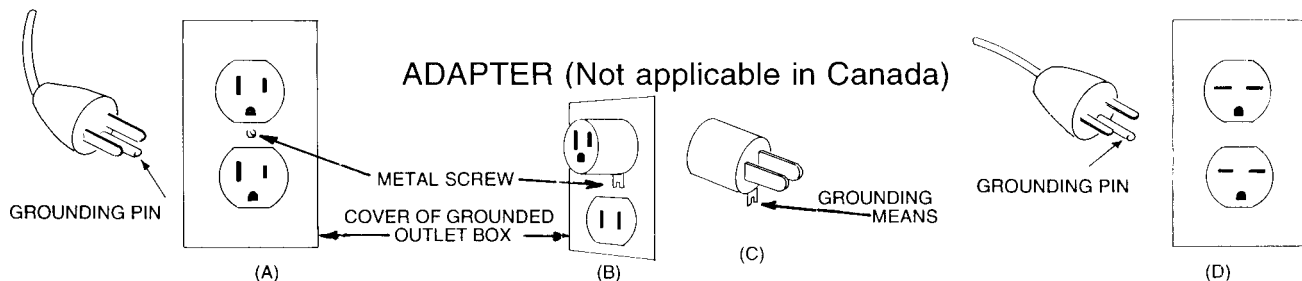
This machine is designed to operate on a standard 15 amp. 120 volt, 60 hz, AC circuit. Voltages below 105 volt AC or above 125 volts AC could cause serious damage to the motor.

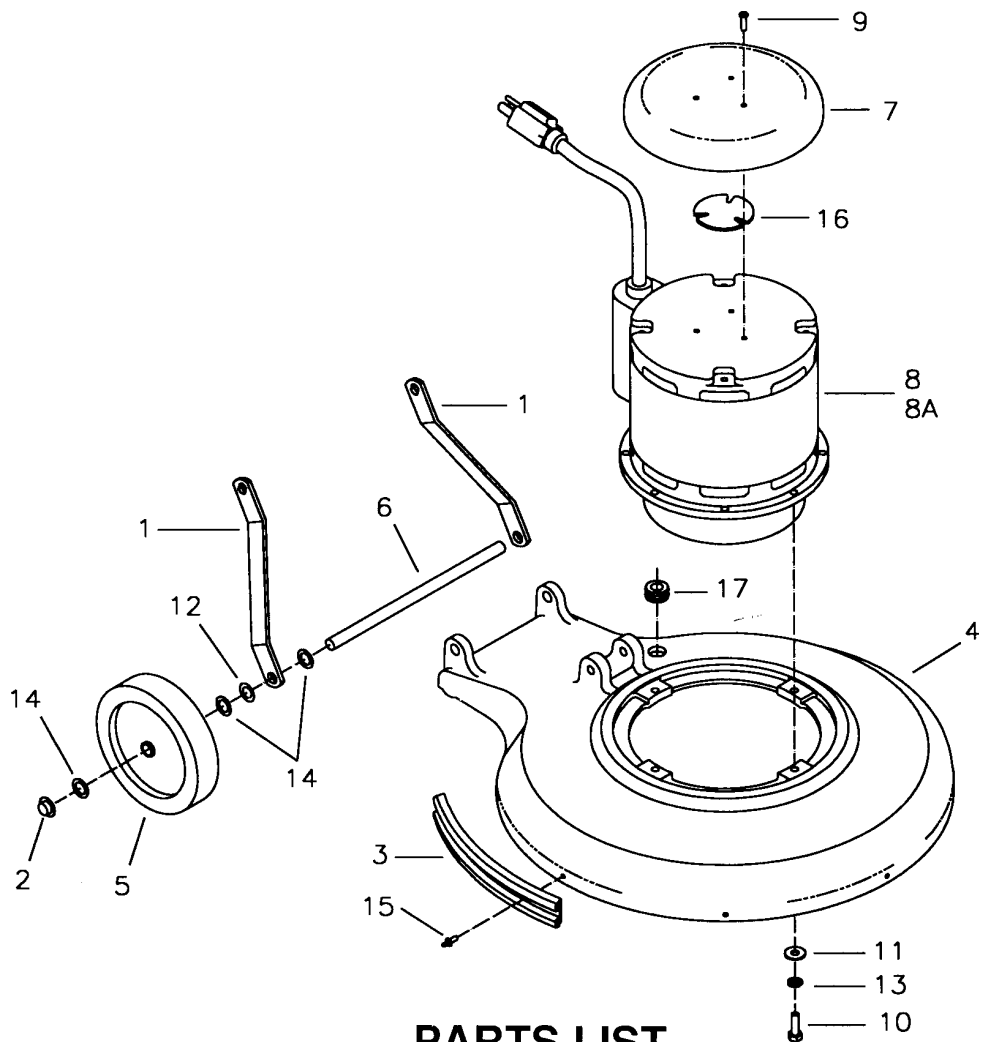
ELECTRICAL - 240 Volt

This machine is designed to operate on a standard 16 amp. type L fused 230 volt, 50 hz, AC circuit. Voltages below 200 volt AC or above 250 volts AC could cause serious damage to the motor.

GROUNDING INSTRUCTIONS

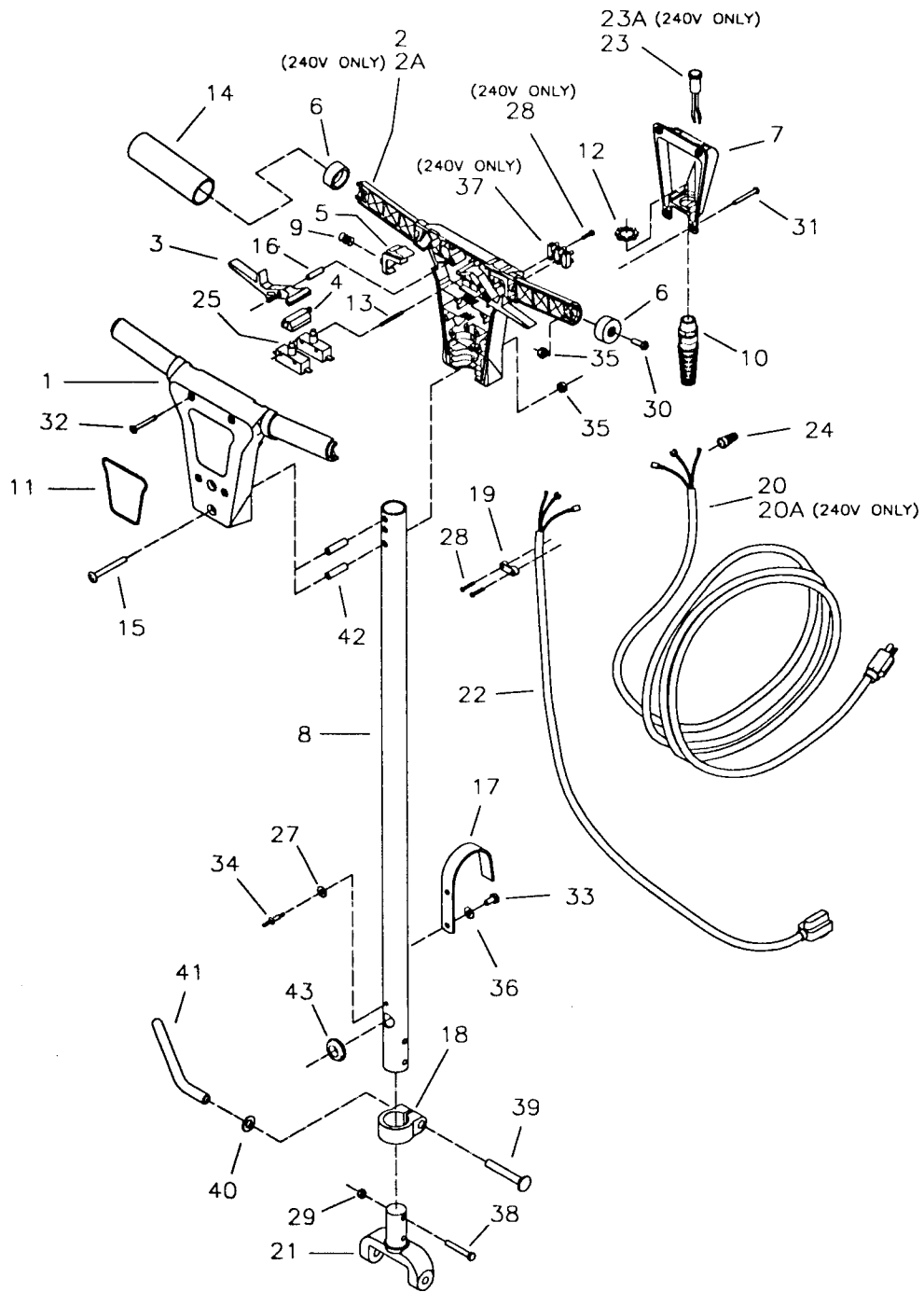
- This floor finishing machine should be grounded while in use to protect the operator from electric shock. The machine is equipped with a three-conductor cord and a three-prong grounding type attachment plug to fit the proper grounding type receptacle. The green (or green and yellow) conductor in the cord is the grounding wire. Never connect this wire to other than the grounding blade.
- Floor Finishing Machines Rated Less Than 150 Volts - If the machine is provided with an attachment plug as shown in Sketch A it is intended for use on a 120-volt (nominal) circuit. If a properly grounded receptacle as shown in Sketch A is not available, an adapter as shown in Sketch C is available and should be installed as shown in Sketch B if the outlet box that houses the receptacle is grounded. Be sure to fasten the grounding tab with the faceplate screw.





PARTS LIST

Item	Part No.	Qty	Description
1	130022	2	Brace
2	130032	2	Cap, Retainer
3	130038	1	Bumper, 13" Base
4	130301MCH	1	Base Casting, 13"
5	130302	2	Wheel, 3 1/2"
6	130303	1	Axle, 10.75L x 0.5D
7	160048	1	Motor Cover
8	180035	1	Motor 3/4 HP w/Gear 115V
8A	130220	1	Motor 3/4 HP w/Gear 230V
9	710153	3	SCR-MC 10-32 x .37
10	711230	4	BLT-HH 5/16-18 x 1.00
11	711506	4	WSR-Flat 5/16
12	711524	2	WSR-Wave .52 x .87 x .01
13	711545	4	WSR-Helical 5/16
14	711594	6	WSR-Flat .56 x .88 x .03
15	711903	5	Rivet-Pop .19 x .25 AL
16	805635	1	Cork Gasket
17	130029	1	Grommet



PARTS LIST

Item	Part No.	Qty.	Description
1	190022	1	Switch Box Front
2	190023	1	Switch Box Rear
2A	190023MCH	1	Switch Box Rear (240V)
3	190033B	2	Switch Trigger
4	190008	1	Switch Cap
5	190009B	2	Safety Button
6	190006	2	End Cap
7	190024	1	Electrical Box Rear
8	130198PLT	1	Tube Handle
9	190015	2	Trigger Spring
10	150004	1	Strain Relief
11	715175	1	Decal Minuteman Runner
12	711400	1	Nut-Pipe Lock ½
13	711619	2	Roll Pin 1/8 x 1.50
14	190016	2	Foam Grip
15	710186	2	SCR-MC ¼-20 x 2.25 TH
16	711620	2	Roll Pin ¼ x 1.25
17	170040PLT	1	Cord Hook
18	16224	1	Handle Clamp
19	190010	1	Strain Relief
20	829881	1	Grey Cord Set (115V) 30'
20A	740600	1	Cord Set (240V)
21	130016POL	1	Yoke
22	190013	1	Cord, Handle
23	832859	1	Indicator Light (115V)
23A	742313	1	Indicator Light (240V)
24	740044	2	Wire Cap 12-18
25	740029	2	Switch 1.5 HP
26	740005	1	Wire Cap 18-14
27	711503	1	WSR-Flat 10
28	711128	2	SCR-HI/LO 8-18 x .62
29	711373	2	Nut-Nyloc ¼-20
30	710380	2	SCR-MC ¼-20 x .75
31	711160	4	SCR-HI/LO 10 X .63
32	711162	4	SCR-HI/LO 10 X 1.50
33	711202	2	Bolt-HH ¼-20 x .50
34	711903	1	Pop Rivet
35	711387	4	Nut ¼-20 ½ Nut Nyloc
36	711544	2	WSR-Helical ¼
37	740036-3	1	Terminal Block (240V)
38	711213	2	Bolt-HH ¼-20 x 1 5/8
39	711254	1	BLT-CR 3/8-16 x 2.50 STPL
40	711515	1	WSR-Flat .406 x .812 x .062
41	190039	1	Lever Rod
42	190029	2	Bushing
43	130013	1	Grommet

LIMITED WARRANTY

Minuteman International, Inc. warrants to the original purchaser/user that this product is free from defects in workmanship and materials under normal use and service for a period of three years from date of purchase. In addition, Minuteman International, Inc. will, at its option, honor labor warranty claims for the first 12 months from date of sale, provided such claims are submitted through and approved by factory authorized repair stations. Minuteman International, Inc. will, at its option, repair or replace without charge, except for transportation costs, parts that fail under normal use and service when operated and maintained in accordance with the applicable operation and instruction manuals.

This warranty does not apply to normal wear, or to items whose life is dependent on their use and care, such as belts, cords, switches, hoses, rubber parts, electrical motor components or adjustments. Parts not manufactured by Minuteman International, Inc. such as engines, batteries, battery chargers, hydraulic pumps, and tires are covered by and subject to the warranties and/or guarantees of their manufacturers. Please contact Minuteman International, Inc. for procedures in warranty claims against these manufacturers.

Special warning to purchaser — Use of replacement filters and/or prefilters not manufactured by Minuteman International, Inc. or its designated licensees, will void all warranties expressed or implied.

A potential health hazard exists without exact original equipment replacement.

All warranted items become the sole property of Minuteman International, Inc. or its original manufacturer, whichever the case may be.

Minuteman International, Inc. disclaims any implied warranty, including the warranty of merchantability and the warranty of fitness for a particular purpose. Minuteman International, Inc. assumes no responsibility for any special, incidental or consequential damages.

This limited warranty is applicable only in the U.S.A. and Canada, and is extended only to the original user/purchaser of this product. Customers outside the U.S.A. and Canada should contact their local distributor for export warranty policies. Minuteman International, Inc. is not responsible for costs or repairs performed by persons other than those specifically authorized by Minuteman International, Inc. This warranty does not apply to damage from transportation, alterations by unauthorized persons, misuse or abuse of the equipment, use of non-compatible chemicals, or damage to property, or loss of income due to malfunctions of the product.

If a difficulty develops with this machine, you should contact the dealer from whom it was purchased.

This warranty gives you specific legal rights, and you may have other rights which vary from state to state. Some states do not allow the exclusion or limitation of special, incidental or consequential damages, or limitations on how long an implied warranty lasts, so the above exclusions and limitations may not apply to you.

Minuteman[®]

A Member of the Hako Group of Companies

World Headquarters

Minuteman International, Inc.
111 South Rohlwing Road
Addison, Illinois 60101

Phone 630-627-6900

Fax 630-627-1130

www.minutemanintl.com

Minuteman Canada, Inc.
2210 Drew Road
Mississauga, Ontario
L5S 1B1

Phone 905-673-3222

Fax 905-673-5161

986301

Printed in U.S.A.