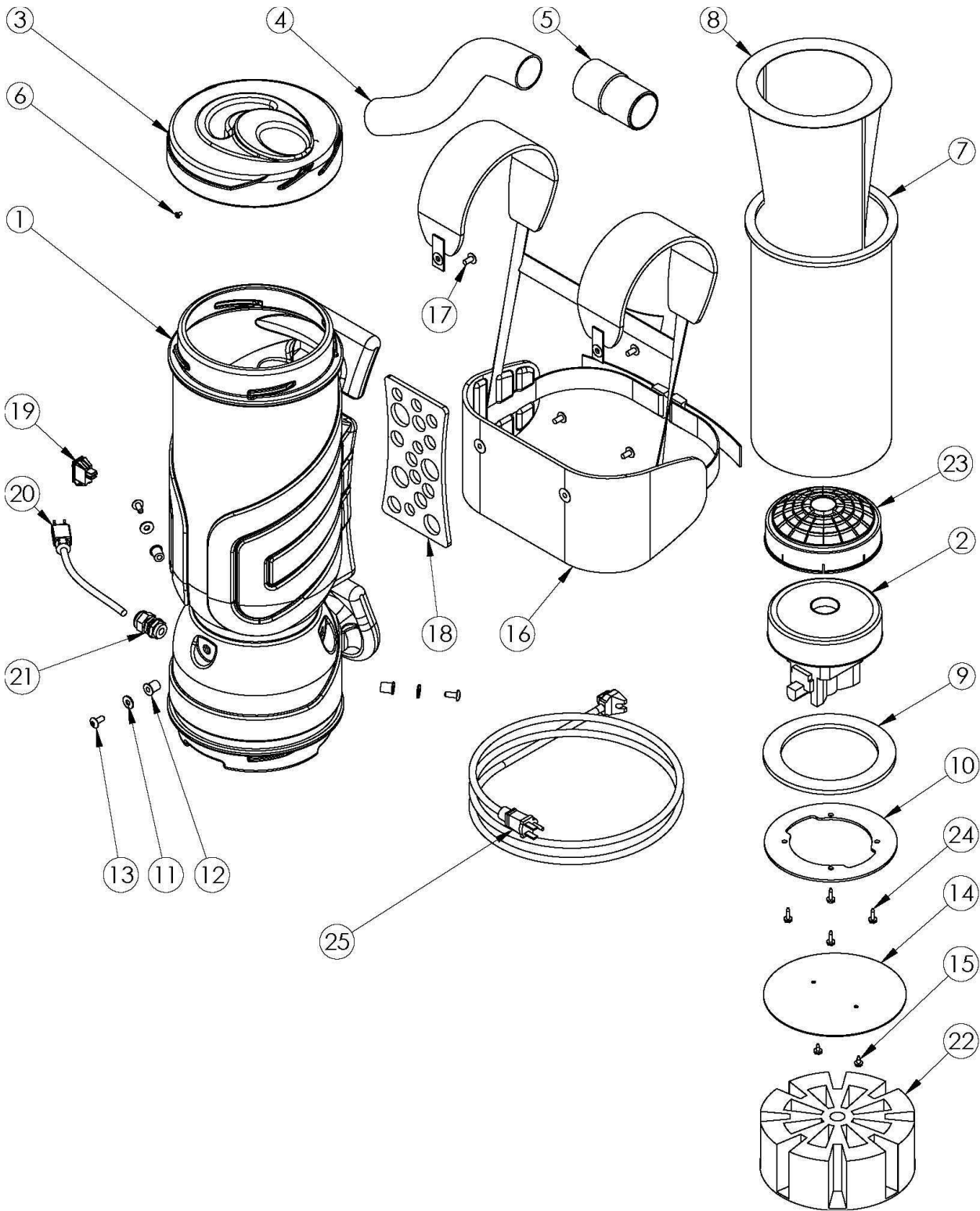


# Mosquito Super Vacuum: 6 and 10 Quart



### Mosquito Schematic Breakdown Parts

No.	Description	Part #	Qty Used
1	Housing – Backpack (for 6 quart vacuum add -6 after part number)	10-1001	1
2.a	Vacuum Motor Super (119347-00)	10-1002a	1
2.b	Vacuum Motor Construction (115923 duel stage)	10-1002b	
3	10-Quart Lid (for 6 quart add -6 after part number)	10-1003	1
4	Vacuum Hose 4'	10-1004	1
5.a	Hose Cuff Swivel	10-1005a	1
5.b	Hose Cuff Non-Swivel	10-1005b	
6	Rivet – Hose To Lid	10-1006	1
7	10 Quart Cloth Bag (for 6 quart add -6 after part number)	10-1037	1
8	Micro Lined Filter Bag (for 6 quart add -6 after part number)	10-1008	1
9	Gasket – Motor To Housing	10-1009	1
10	Aluminum Mounting Ring – Motor	10-1010	1
11	Plastic Washer For Well Nut	10-1011	3
12	Well Nut	10-1012	3
13	Screw (for well nut)	10-1013	3
14	Aluminum Finger Guard – Motor	10-1014	1
15	Screw – Motor Finger Guard	10-1015	2
16	Shoulder and Waist Belt	10-1016	1
17	Screw – Shoulder & Waist Belt	10-1017	4
18	Backrest Pad With 3/M Adhesive	10-1018	1
19	On/Off Rocker Switch	10-1019	1
20	9" Pigtail Power Cord (50 ft. 16-3 SJTW 125V)	10-1020	1
21	Strain Relief with Nut (Heyco 1/2in dia)	10-1021	1
22	Noise Filter (exhaust noise filter)	10-1040	1
23	HEPA Dome Filter (motor)	10-1039	1
24	Screw – Motor To Mounting Plate	10-1024	4
25	Extension Cord Yellow Illuminated (50 ft. 16-3 SJTW 125V)	10-1025	1

#### Standard Tool Kit

Part #	Description
10-1026	5" Upholstery Tool
10-1027	14" Scalloped Floor Tool (carpet)
10-1028	17" Crevice Tool
10-1029	Aluminum Vacuum Wand, 2 Piece – 56" 2 Bend With 3 Piece Head Kit
10-1030	3" Round Dust Brush
10-1032	14" Nylon Bristle Brush

#### Popular Tools

Part #	Description
10-1031	4" Car Utility Belt
10-1033	15" Smooth Glide Vacuum Head
10-1034	14" Slotted Horse Brush Vacuum Head
10-1035	14" Quick Clean Paddle Vacuum Head
10-1036	14" Horse Hair Brush Floor Tool

#### Filters, Cloth Bags, Paper Bags, HEPA Dome Filters, Noise Filters

Part #	Description
10-1037	10-Quart <u>Cloth Bag</u> with Gasket (1 per bag)
10-1038	6-Quart <u>Cloth Bag</u> with Gasket (1per bag)
10-1039	HEPA Dome Filter (motor)

10-1040	Dual Cell Noise Filter 10 Quart (for 6 quart vacuum add -6 after part number)
10-1041	10-Quart Vacuum Micro Lined Filter Bag (10 pack)
10-1042	6-Quart Vacuum Micro Lined Filter Bag (10-Pack)

#### Accessories and Parts for Mosquito 6-Quart & 10-Quart Backpack

Part #	Description
10-1043	10-Quart Vacuum HEPA Micro Lined Filter Bag (10 pack)
10-1044	6-Quart Vacuum HEPA Micro Lined Filter Bag (10 pack)
10-1045	Vacuum Lid, Hose and Swivel Cuff (assembled)
10-1046	4" Vacuum Hose With Swivel Cuff (1-1/2" diameter no lid)
10-1047	17" Complete P-Tail Cord (includes strain relief and nut)
10-1048	Aluminum Vacuum Wand, 2 Piece – 56" 2 Bend With 3 piece Head Kit
10-1049	Complete 4" Super Flex Vacuum Hose, With Cuffs 1-1/2" Diameter
10-1050	Pipe Cleaner (1-4" pipe) Wand Attachment For Cleaning Overhead
10-1051	Pipe Cleaner (4-8" pipe) Wand Attachment For Cleaning Overhead
10-1052	Vacuum Motor Gasket (for 6 & 10 quart vacuums)
10-1053	Backpack Waist Belt Extension (up to 12")

**Sidewinder Floor Tools.** The Sidewinder's carpet tools are perfect for large open areas as well as detailing tight places. The user can quickly clean open spaces and with no change in tool, clean along floorboards, vents and edges.

#### Sidewinder Carpet Upholstery Tools

Part #	Description
SW-1007	18" Carpet Tool
SW-1008	15" Carpet Tool
SW-1009	8" Carpet Tool

The Sidewinder's hard floor tools are ideal for all hard surfaces. With a variety of sizes & styles, the user will get more effective results. The 8" Dusting Brush Horsehair tool (picture not shown) is excellent for blinds and door tops.

#### Sidewinder Hard Surface Felt Floor Tools

Part #	Description
SW-1001	18" Hard Floor Tool
SW-1002	15" Hard Floor Tool

#### Sidewinder Hard Surface Nylon Floor Tools

Part #	Description
SW-1003	18" Hard Floor Tool
SW-1004	15" Hard Floor Tool

#### Sidewinder Hard Surface Horse Hair Floor Tools

Part #	Description
SW-1005	18" Hard Floor Tool
SW-1006	15" Hard Floor Tool

Conventionally, a backpack vacuum system utilizes a curved wand. This curvature can create back strain and cause the user to easily tire. The Sidewinder's wand is straight. This allows the user to stand erect, alleviating back strain and fatigue.

#### Sidewinder Wands

Part #	Description
SW-1010	59" Straight Aluminum Wand
SW-1011	54" Straight Aluminum 2 Piece 1 ¼" Wand
SW-1012	54" Straight Aluminum 2 Piece 1 ½" Wand
SW-1013	Straight Aluminum Wand Extension
SW-1014	32" Half Curve Adapter Wand