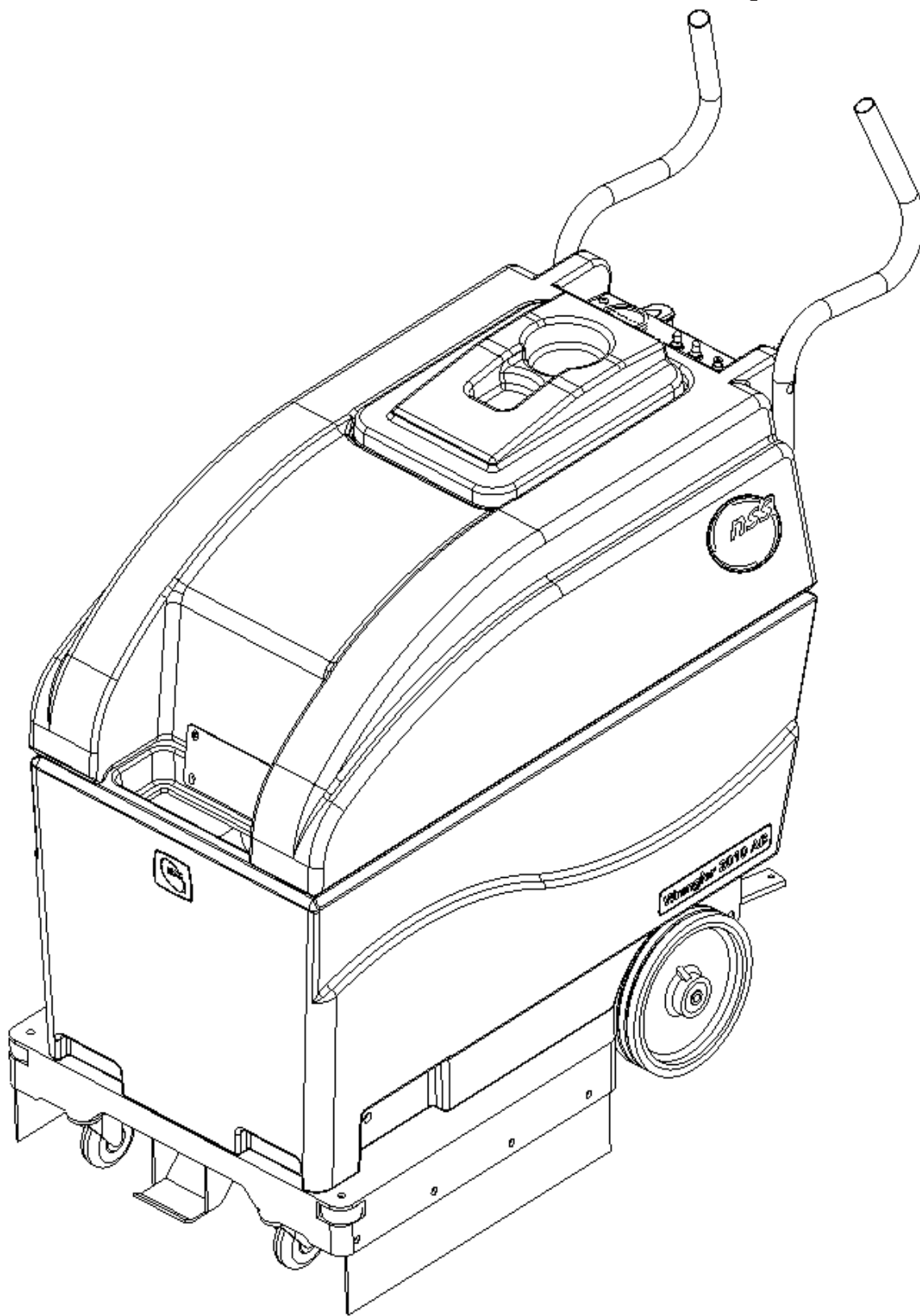


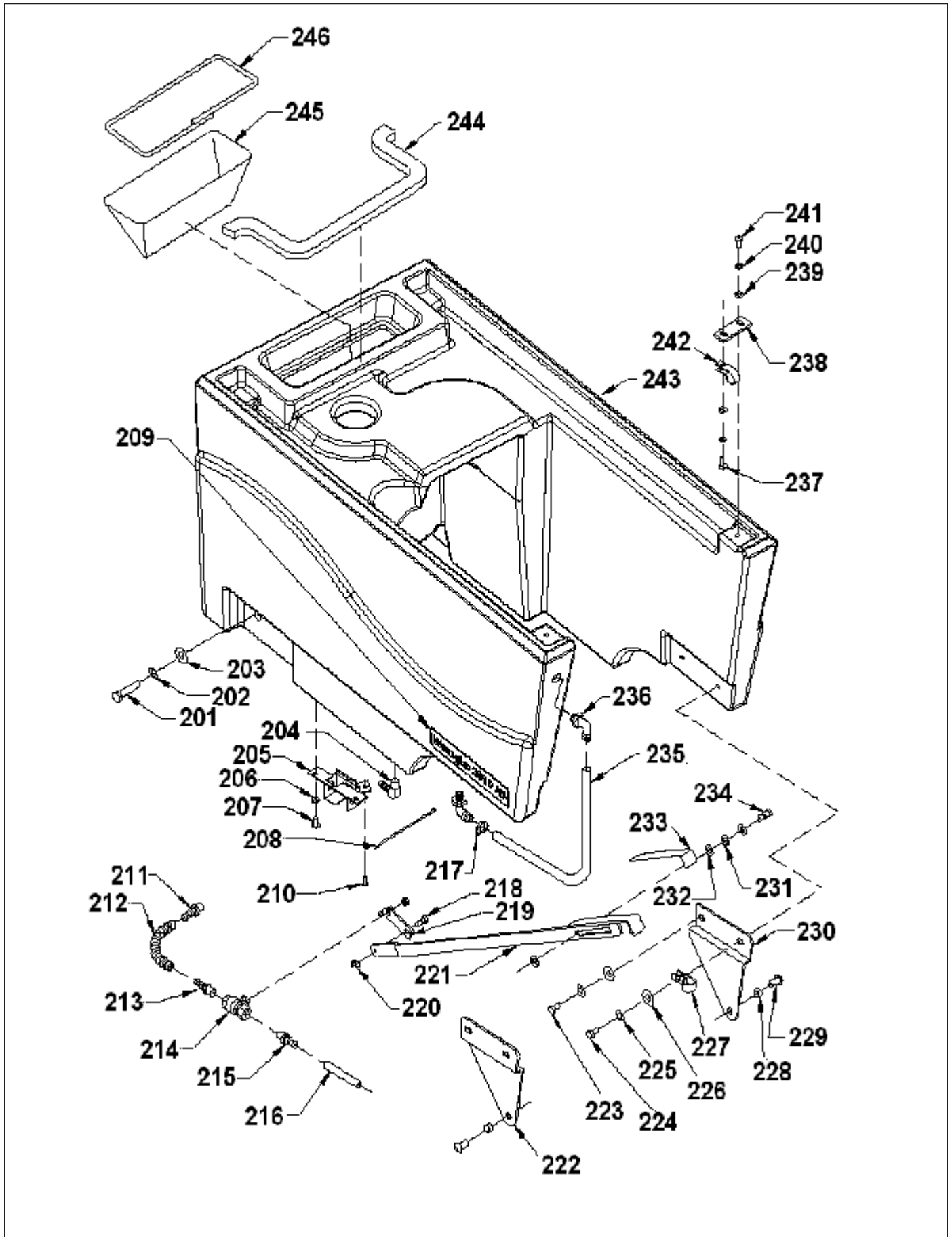
WRANGLER 1710AE, 2010AE



ITEM	PART NO.	DESCRIPTION	QTY.
101	5490161	FULLY INSULATED FEMALE TERMINAL 14-16	2
102	0693141	RUBBER SWITCH BOOT	2
103	9122465	.516 I.D. X .813 O.D. X .027/.030 THICK FLAT WASHER - PACK OF 2	2
104	4892471	CIRCUIT BREAKER BUTTON SEAL	1
105	9120360	10-24 HEX NUT WITH STAR LOCK WASHER - PACK OF 10	1
106	9120360	10-24 HEX NUT WITH STAR LOCK WASHER - PACK OF 10	1
107	5492741	RECTIFIER 60 AMP	1
108	1393891	CONTROL PANEL LABEL	1
109	2792041	SWITCH, TOGGLE VACUUM	2
110	2392201	CIRCUIT BREAKER, 120 VOLT	1
	2392701	CIRCUIT BREAKER, 240 VOLT / 5 AMP	1
111	1393881	CONTROL PANEL	1
112	5293791	CORD - 75 FEET - 14-3 ST - 120 VOLT	1
	0299671	SHUKO CORD - 75 FEET - 16-3 - 240 VOLT	1
113	1392843	LIFT BRACKET - SQUEEGEE	1
114	1393111	CABLE ASSEMBLY - BRUSH MOTOR	1
115	9120990	1/4-20 X 3/8 TRUSS HEAD PHILLIPS MACHINE SCREW - PACK OF 5	2
116	1390941	5/16 E RING	2
117	2395921	SQUEEGEE LIFT HANDLE	1
118	1393541	"Y" SQUEEGEE LIFT CABLE	1
119	9120370	7/32 I.D. X 1/2 O.D. X .032/.065 THICK SAE FLAT WASHER (10)-PK-10	1
120	9120320	10 SPLIT LOCK WASHER - PACK OF 10	1
121	9120380	10-24 X 3/8 ROUND HEAD PHILLIPS MACHINE SCREW - PACK OF 10	1
122	9121250	1/4-20 X 3/4 HEX BOLT - PACK OF 10	1
123	9120930	9/32 I.D. X 5/8 O.D. X .051/.080 THICK SAE FLAT WASHER (1/4)-PK-10	1
124	9120420	10-24 X 5/8 ROUND HEAD PHILLIPS MACHINE SCREW - PACK OF 10	1
125	9120380	10-24 X 3/8 ROUND HEAD PHILLIPS MACHINE SCREW - PACK OF 10	1
126	4890033	DRAIN HOSE PLUG	1
127	0393311	CORD CLAMP	1
128	9120930	9/32 I.D. X 5/8 O.D. X .051/.080 THICK SAE FLAT WASHER (1/4)-PK-10	1
129	9120740	10-32 X 3/8 TRUSS HEAD PHILLIPS MACHINE SCREW - PACK OF 10	6
130	0393491	STRAIN RELIEF - 120 VOLT	1
	0393501	STRAIN RELIEF - 240 VOLT	1

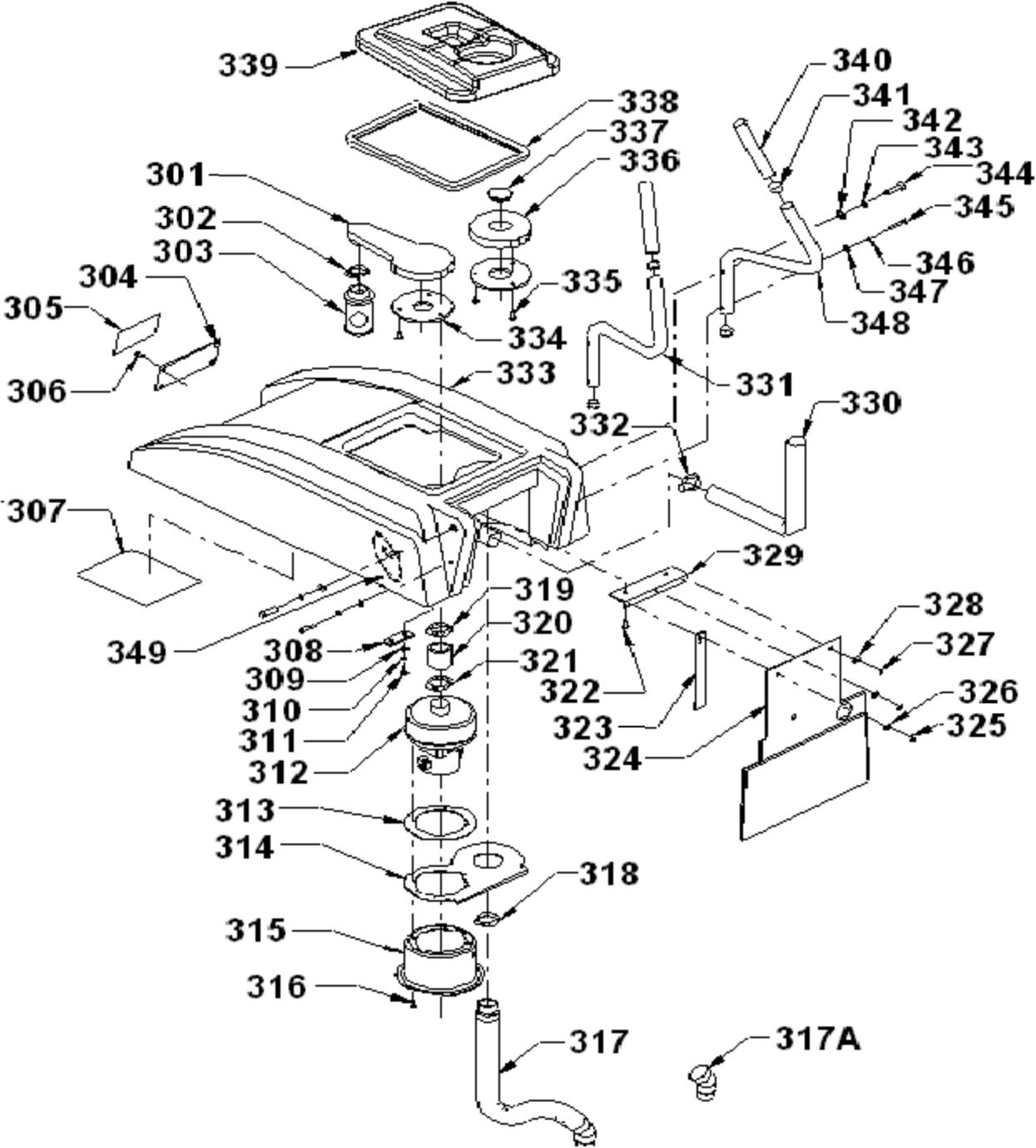
ITEM	PART NO.	DESCRIPTION	QTY.
201	9122340	3/8-16 X 2 HEX BOLT - PACK OF 2	2
202	9122100	3/8 SPLIT LOCK WASHER - PACK OF 10	2
203	9122180	13/32 I.D. X 13/16 O.D. X .051/.080 THICK SAE FLAT WASHER (3/8)-PK-10	2
204	2490601	FITTING ELL 3/8 HOSE BARB X 1/4 MNPT	1
205	1393911	VALVE BRACKET	1
206	9120880	1/4 SPLIT LOCK WASHER - PACK OF 10	2
207	9121000	1/4-20 X 5/8 TRUSS HEAD PHILLIPS MACHINE SCREW - PACK OF 5	2
208	9123005	1/8 X 5 1/2 WIRE TIE	1
209	1393651,61	NSS LOGO DECAL 3.5 X 20	1
210	9121045	1/4-20 X 1/2 ROUND HEAD PHILLIPS MACHINE SCREW - PACK OF 10	1
211	2495161	1/2 HOSE BARB X 1/4 MPT	1
212	2692551	6.5" CONVOLUTED TUBING	1
213	2495161	1/2 HOSE BARB X 1/4 MPT	1
214	1393901	SOLUTION VALVE	1
215	2397551	1/4 NPT X 3/8 STRAIGHT HOSE BARB HDPE	1
216	8791070	3/8 I.D. X 1/2" OD X 4" LONG VINYL HOSE	.3
217	2392141	HOSE CLAMP 11/16" TO 1 1/4" DIAMETER	1
218	9121505	5/16 X 1/8 SOCKET HEAD SHOULDER BOLT - PACK OF 1	1
219	1391551	SOLUTION VALVE LEVER	1
220	9120920	1/4-20 HEX NUT - PACK OF 10	2
221	1393531	VALVE CONTROL BAR	1
222	1392653	LEFT TANK PIVOT BRACKET	1
223	9121000	1/4-20 X 5/8 TRUSS HEAD PHILLIPS MACHINE SCREW - PACK OF 5	1
224	9121210	1/4-20 X 5/8 HEX BOLT - PACK OF 10	3
225	9120880	1/4 SPLIT LOCK WASHER - PACK OF 10	4
226	9120930	9/32 I.D. X 5/8 O.D. X .051/.080 THICK SAE FLAT WASHER (1/4)-PK-10	4
227	4890851	CABLE CLAMP	1
228	4894371	BUSHING - BRUSH	2
229	9122030	3/8-16 X 3/4 BUTTON HEAD SOCKET SCREW - PACK OF 2	2
230	1392663	RIGHT TANK PIVOT BRACKET	1
231	1392581	.327 I.D. X .612 O.D. X .013 THICK 1 WAVE SPRING WASHER (5/16)	1
232	9121390	11/32 I.D. X 11/16 O.D. X .051/.080 THICK SAE FLAT WASHER (5/16)-PK-10	3
233	1393711	VALVE LABEL	1
234	9121550	5/16 X 3/8 SOCKET HEAD SHOULDER BOLT - PACK OF 1	1
235	1391957	3/4" DIAMETER X 12" LONG DRAIN HOSE - SOLUTION TANK	1
236	1391941	3/8 MPT X 3/4 HOSE BARB X 90 FELL FITTING	2
237	9121010	1/4-20 X 3/4 TRUSS HEAD PHILLIPS MACHINE SCREW - PACK OF 5	1
238	1392671	TANK HOLD DOWN BRACKET	2
239	9120930	9/32 I.D. X 5/8 O.D. X .051/.080 THICK SAE FLAT WASHER (1/4) - PACK OF 10	4
240	9120880	1/4 SPLIT LOCK WASHER - PACK OF 10	4
241	9121000	1/4-20 X 5/8 TRUSS HEAD PHILLIPS MACHINE SCREW - PACK OF 5	3
242	4890851	CABLE CLAMP	1
243	1393601	SOLUTION TANK	1
244	1393227	1/2 X 1 X 21 GASKET - TANKS	1
245	4891311	FILTER SCREEN BAG	1
	1394329	FILTER SCREEN BAG AND FRAME ASSEMBLY (INCL. 245 & 246)	1
246	1390406	FILTER FRAME	1

SOLUTION TANK ASSEMBLY



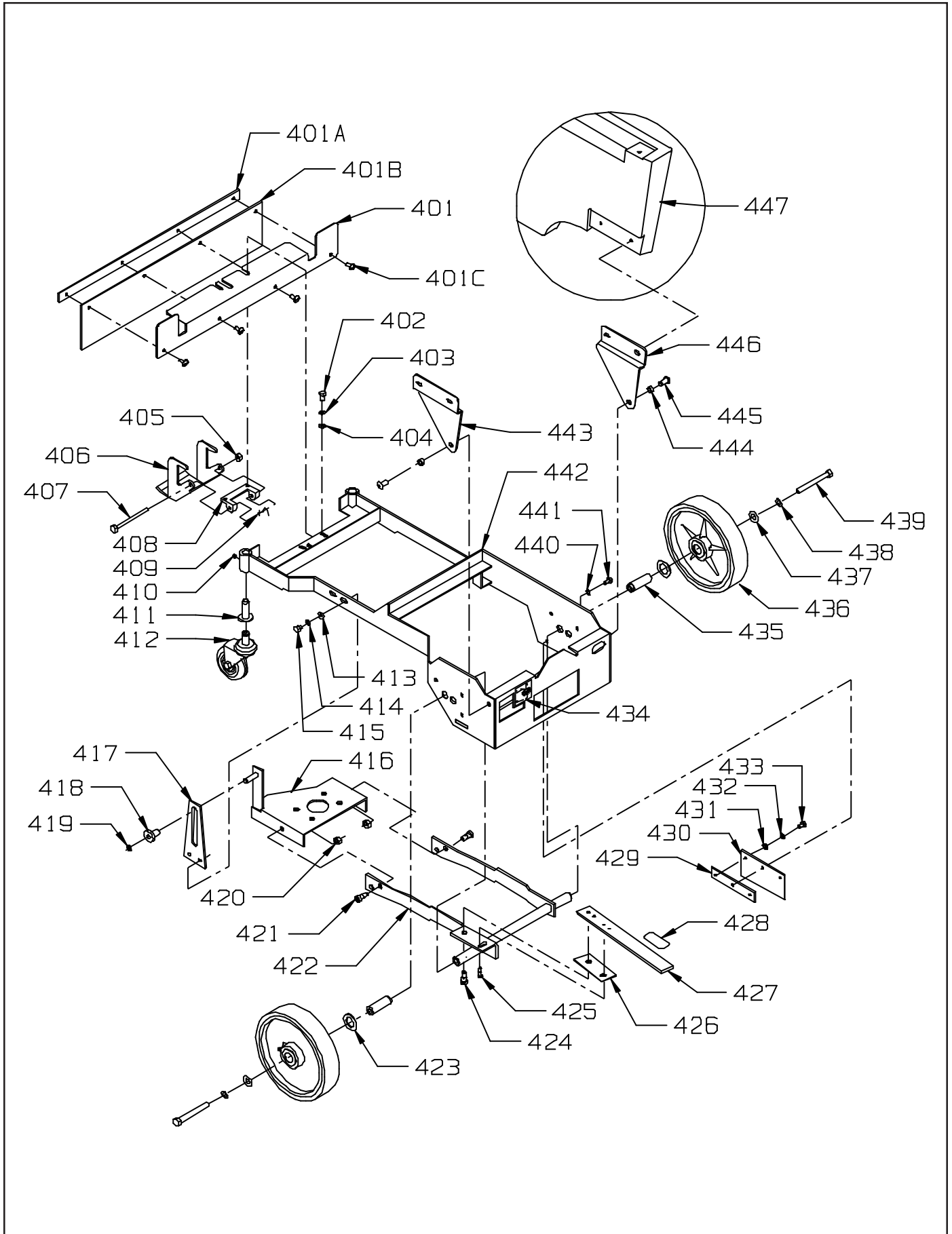
ITEM	PART NO.	DESCRIPTION	QTY.
301	1390061	FLOAT CONNECTOR	1
302	4894081	HOSE CLAMP 1.593 TO 1.812" DIAMETER	1
303	2391541	FLOAT SCREEN ASSEMBLY	1
304	1390493	FRONT MOUNTING PLATE	1
305	1393691	SOLUTION FILL ICON	1
306	9121000	1/4-20 X 5/8 TRUSS HEAD PHILLIPS MACHINE SCREW - PACK OF 5	4
307	1393741	WIRING DIAGRAM - BATTERY LABEL	1
308	1392671	TANK HOLD DOWN BRACKET	2
309	9120930	9/32 I.D. X 5/8 O.D. X .051/.080 THICK SAE FLAT WASHER (1/4)-PK-10	2
310	9120880	1/4 SPLIT LOCK WASHER - PACK OF 10	2
311	9121000	1/4-20 X 5/8 TRUSS HEAD PHILLIPS MACHINE SCREW - PACK OF 5	1
312	1393201	VACUUM MOTOR 120 VOLTS AC	1
	1393211	VACUUM MOTOR 240 VOLTS AC	1
313	4690101	FLOAT GASKET - VACUUM MOTOR	1
314	1392513	BAFFLE PLATE - VACUUM MOTOR	1
315	1392531	COVER - VACUUM MOTOR	1
316	9120790	10 X 5/8 PAN HEAD PHILLIPS SHEET METAL SCREW - PACK OF 10	4
317	2690591	SQUEEGEE VACUUM HOSE WITH CUFFS	1
318	4892671	HOSE CLAMP - 1 1/16" TO 2" DIAMETER	1
319	4892671	HOSE CLAMP - 1 1/16" TO 2" DIAMETER	1
320	1393921	VAC MOTOR MOUNTING HOSE - 1710-2010 AE	1
321	4892671	HOSE CLAMP - 1 1/16" TO 2" DIAMETER	1
322	9121020	1/4-20 X 1 TRUSS HEAD PHILLIPS MACHINE SCREW - PACK OF 5	2
323	1393081	VACUUM MOTOR SUPPORT	1
324	1393561	REAR RUBBER NOISE DEFLECTOR	1
325	9120510	10-24 X 1/2 TRUSS HEAD PHILLIPS MACHINE SCREW - PACK OF 10	1
326	9120930	9/32 I.D. X 5/8 O.D. X .051/.080 THICK SAE FLAT WASHER (1/4)-PK-10	1
327	9120500	10-24 X 3/8 TRUSS HEAD PHILLIPS MACHINE SCREW - PACK OF 10	2
328	9120930	9/32 I.D. X 5/8 O.D. X .051/.080 THICK SAE FLAT WASHER (1/4)-PK-10	2
329	1392921	REAR RUBBER MOUNT BRACKET	1
330	1393511	DIRTY WATER DRAIN HOSE	1
331	1392561	LEFT HANDLE	1
332	4892671	HOSE CLAMP - 1 1/16" TO 2" DIAMETER	1
333	1393611	RECOVERY TANK	1
334	2391611	INLET TUBE GASKET	2
335	9121000	1/4-20 X 5/8 TRUSS HEAD PHILLIPS MACHINE SCREW - PACK OF 5	4
336	1390351	AIR INTAKE	1
337	1390381	CLEAN-OUT CAP	1
338	1393781	RECOVERY TANK COVER GASKET	1
339	1393681	RECOVERY TANK LID	1
340	1391961	HANDLE GRIP	2
341	0690761	PLUG BUTTON	4
342	9122180	13/32 I.D. X 13/16 O.D. X .051/.080 THICK SAE FLAT WASHER (3/8)-PK-10	2
343	9122100	3/8 SPLIT LOCK WASHER - PACK OF 10	2
344	9122075	3/8-16 X 1 1/2 HEX BOLT - PACK OF 2	2
345	9121280	1/4-20 X 1 1/2 HEX BOLT - PACK OF 5	2
346	9120880	1/4 SPLIT LOCK WASHER - PACK OF 10	2
347	9120930	9/32 I.D. X 5/8 O.D. X .051/.080 THICK SAE FLAT WASHER (1/4)-PK-10	2
348	1392571	RIGHT HANDLE	1

RECOVERY TANK ASSEMBLY



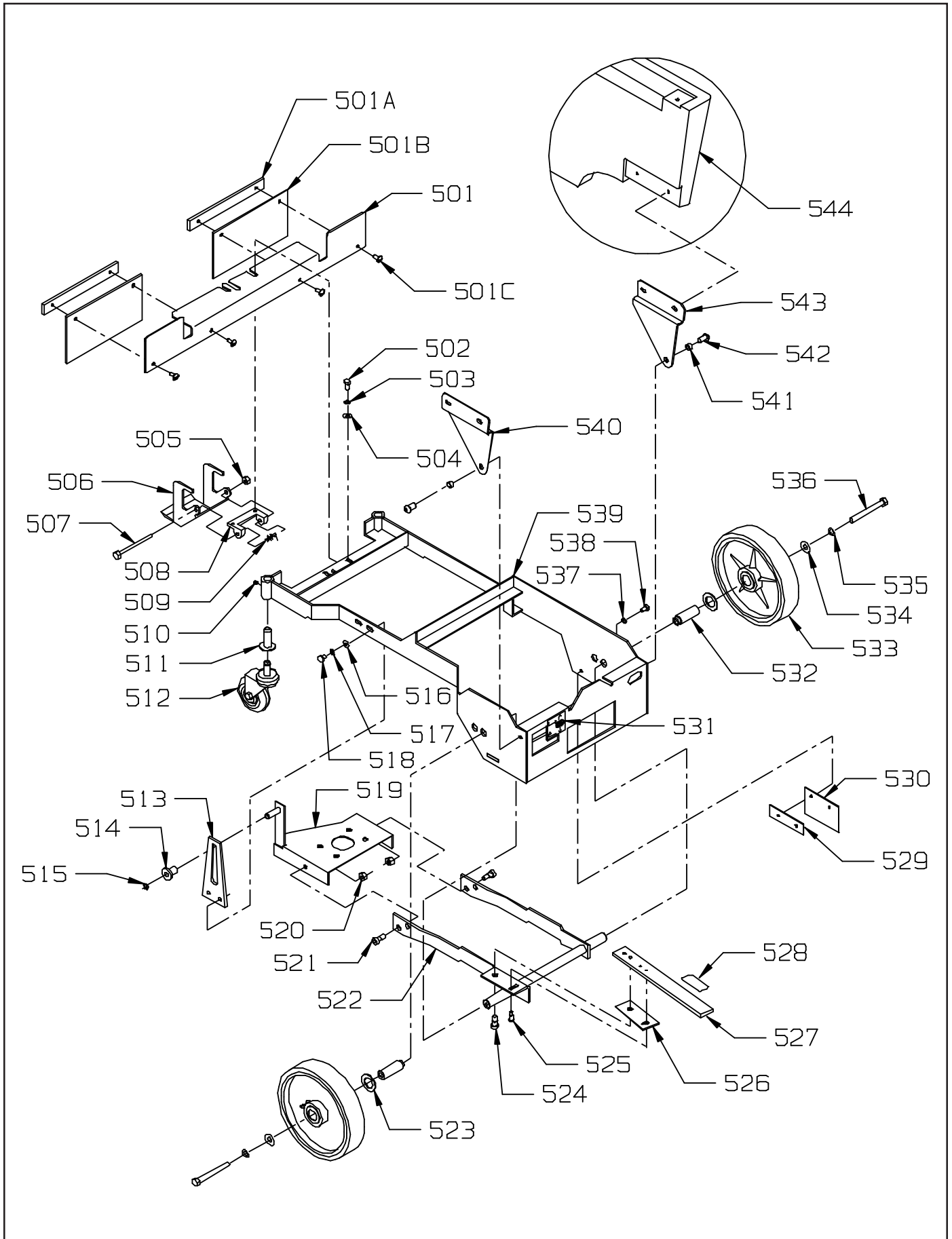
ITEM	PART NO.	DESCRIPTION	QTY.
401	1392409	SPLASH SHIELD ASSEMBLY 1710	1
401	1392413	FRAME, SPLASH SHIELD 1710	1
401A	1392431	RETAINING STRAP 1710	1
401B	1392421	RUBBER SPLASH SHIELD 1710	1
401C	9120510	10-24 X 1/2 TRUSS HEAD PHILLIPS MACHINE SCREW - PACK OF 10	4
403	9120880	1/4 SPLIT LOCK WASHER - PACK OF 10	2
402	9121210	1/4-20 X 5/8 HEX BOLT - PACK OF 10	2
404	9120930	9/32 I.D. X 5/8 O.D. X .051/.080 THICK SAE FLAT WASHER (1/4)-PK-10	2
405	9120900	1/4-20 HEX NUT WITH NY-LOK INSERT - PACK OF 10	1
406	1392883	FOOT PEDAL	1
407	9121360	1/4-20 X 4 HEX BOLT - PACK OF 2	1
408	1392912	BRACKET - FOOT PEDAL - TANK RELEASE	1
409	1392901	SPRING - FOOT PEDAL - TANK RELEASE	1
410	9120850	1/4-20 X 5/16 SET SCREW - KNURL POINT - PACK OF 2	2
411	1392491	PLASTIC SOCKET INSERT - 7/16 I.D.	2
412	1392481	CASTER ONLY - 7/16 X 1 3/4 STEM	2
	1392489	CASTER WITH INSERT	2
413	9121390	11/32 I.D. X 11/16 O.D. X .051/.080 THICK SAE FLAT WASHER-PK-10	2
414	9121520	5/16 SPLIT LOCK WASHER - PACK OF 10	2
415	9121560	5/16-18 X 1/2 HEX BOLT - PACK OF 5	2
416	1392621	BRUSH MOTOR TILT BASE	1
417	1392751	BRUSH MOTOR GUIDE BRACKET	1
418	1391151	BUSHING - 3/8 NYLON	1
419	1391261	3/8 RETAINING RING	1
420	9121430	5/16-18 THIN HEX NUT WITH NY-LOK INSERT - PACK OF 5	2
421	9122020	3/8 DIA X 3/8 LONG SOCKET HEAD SHOULDER BOLT (5/16-18)-PK-1	2
422	1392631	BRUSH LIFT ARM	1
423	9123105	3/4 I.D. X 1 1/4 O.D. X .071/.082 THK FLAT WASHER (14 GAGE)-PK-5	2
424	9122020	3/8 DIA X 3/8 LONG SOCKET HEAD SHOULDER BOLT (5/16-18)-PK-1	1
425	9121190	1/4 DIA X 3/8 LONG SOCKET HEAD SHOULDER BOLT (10-24)-PK-1	1
426	1391271	FOOT PEDAL SLIDE	1
427	1392643	BRUSH LIFT FOOT PEDAL	1
428	1390571	STEP TREAD	1
429	1392981	INSIDE SPLASH GUARD STRAP	1
430	1392991	INSIDE SPLASH GUARD	1
431	9120370	7/32 I.D. X 1/2 O.D. X .032/.065 THICK SAE FLAT WASHER (10)-PK-10	1
432	9120320	10 SPLIT LOCK WASHER - PACK OF 10	1
433	9120420	10-24 X 5/8 ROUND HEAD PHILLIPS MACHINE SCREW - PACK OF 10	1
434	1392181	BRUSH LIFT LABEL	1
435	1392591	AXLE	2
436	2393781	WHEEL - 8"	2
	2393681	BEARING FOR WHEEL 2393781 (2 PER WHEEL)	4
437	9121980	7/16 I.D. X 1 O.D. X .075/.080 THICK WROUGHT WASHER (3/8)-PK-2	2
438	9122100	3/8 SPLIT LOCK WASHER - PACK OF 10	2
439	9122350	3/8-16 X 3 HEX BOLT - PACK OF 1	2
440	9120320	10 SPLIT LOCK WASHER - PACK OF 10	2
441	9120420	10-24 X 5/8 ROUND HEAD PHILLIPS MACHINE SCREW - PACK OF 10	2
442	1392603	MAIN FRAME	1
443	1392653	LEFT TANK PIVOT BRACKET	1
444	4894371	BUSHING	2
445	9122030	3/8-16 X 3/4 BUTTON HEAD SOCKET SCREW - PACK OF 2	2
446	1392663	RIGHT TANK PIVOT BRACKET	1
447	1393601	SOLUTION TANK	1

1710 FRAME ASSEMBLY

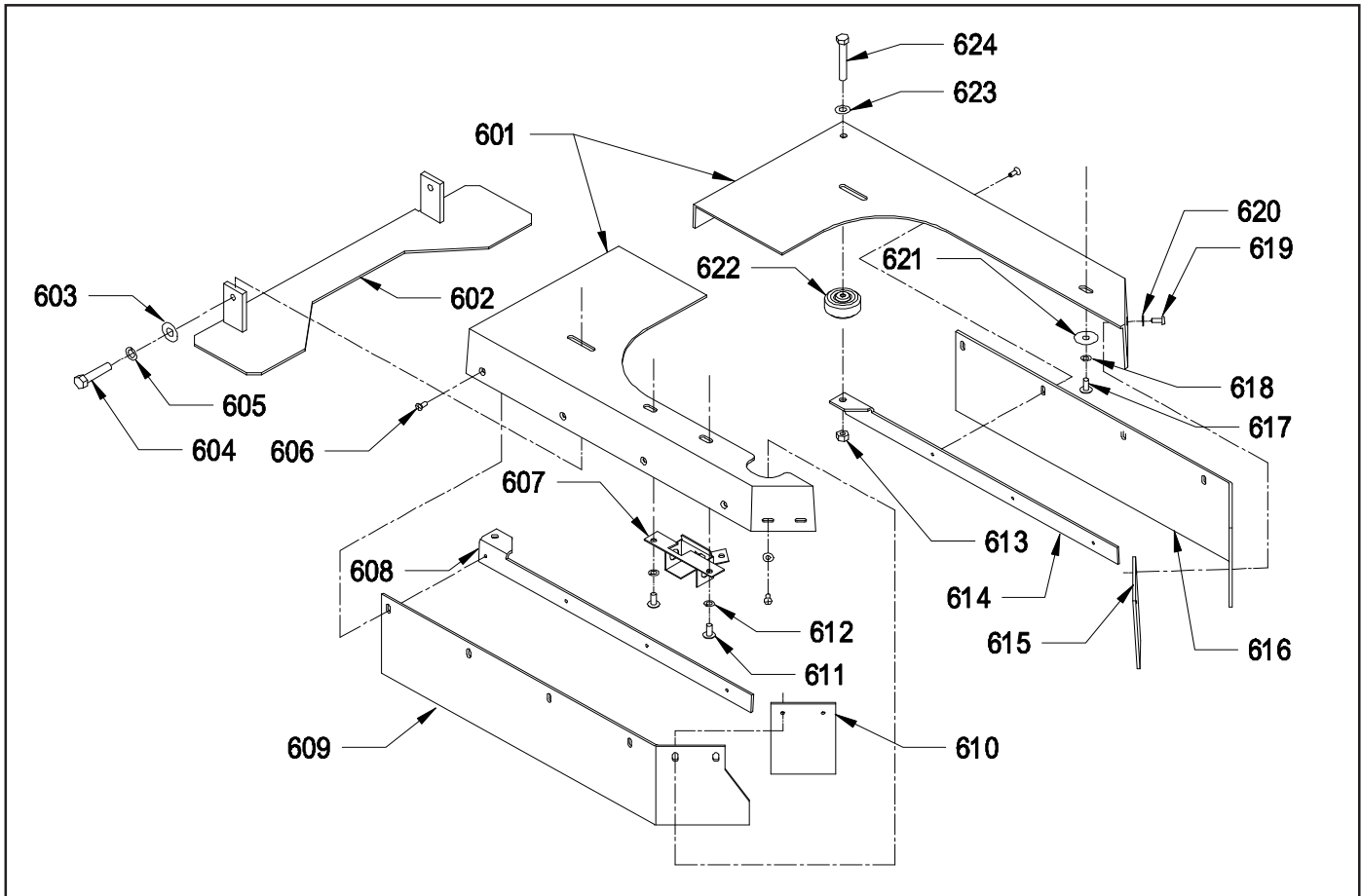


ITEM	PART NO.	DESCRIPTION	QTY.
501	1392449	SPLASH SHIELD ASSEMBLY 2010	1
	1392453	FRAME, SPLASH SHIELD 2010	1
501A	1392471	RETAINING STRAP 2010	2
501B	1392461	RUBBER SPLASH SHIELD 2010	2
501C	9120510	10-24 X 1/2 TRUSS HEAD PHILLIPS MACHINE SCREW - PACK OF 10	4
502	9121210	1/4-20 X 5/8 HEX BOLT - PACK OF 10	2
503	9120880	1/4 SPLIT LOCK WASHER - PACK OF 10	2
504	9120930	9/32 I.D. X 5/8 O.D. X .051/.080 THICK SAE FLAT WASHER (1/4)-PK-10	2
505	9120900	1/4-20 HEX NUT WITH NY-LOK INSERT - PACK OF 10	1
506	1392883	FOOT PEDAL	1
507	9121360	1/4-20 X 4 HEX BOLT - PACK OF 2	1
508	1392912	BRACKET - FOOT PEDAL - TANK RELEASE	1
509	1392901	SPRING - FOOT PEDAL - TANK RELEASE	1
510	9120850	1/4-20 X 5/16 SET SCREW - KNURL POINT - PACK OF 2	2
511	1392491	PLASTIC SOCKET INSERT - 7/16 I.D.	2
512	1392481	CASTER ONLY - 7/16 X 1 3/4 STEM	2
	1392489	CASTER WITH INSERT	2
513	1392751	BRUSH MOTOR GUIDE BRACKET	1
514	1391151	BUSHING, 3/8 NYLON	1
515	1391261	3/8 RETAINING RING	1
516	9121390	11/32 I.D. X 11/16 O.D. X .051/.080 THK SAE FLAT WASHER (5/16)-PK-10	2
517	9121520	5/16 SPLIT LOCK WASHER - PACK OF 10	2
518	9121560	5/16-18 X 1/2 HEX BOLT - PACK OF 5	2
519	1392621	BRUSH MOTOR TILT BASE	1
520	9121430	5/16-18 THIN HEX NUT WITH NY-LOK INSERT - PACK OF 5	2
521	9122020	3/8 DIA X 3/8 LONG SOCKET HEAD SHOULDER BOLT (5/16-18)-PK-1	2
522	1392631	BRUSH LIFT ARM	1
523	9123105	3/4 I.D. X 1 1/4 O.D. X .071/.082 THICK FLAT WASHER - PACK OF 5	2
524	9122020	3/8 DIA X 3/8 LONG SOCKET HEAD SHOULDER BOLT (5/16-18)-PK-1	1
525	9121190	1/4 DIA X 3/8 LONG SOCKET HEAD SHOULDER BOLT (5/16-18)-PK-1	1
526	1391271	FOOT PEDAL SLIDE	1
527	1392643	BRUSH LIFT FOOT PEDAL	1
528	1390571	STEP TREAD	1
529	1392961	INSIDE SPLASH GUARD STRAP	1
530	1392971	INSIDE SPLASH GUARD	1
531	1392181	DECAL - BRUSH LIFT	1
532	1392591	AXLE	2
533	2393781	WHEEL - 8"	2
	2393681	BEARING FOR WHEEL 2393781 (2 PER WHEEL)	4
534	9121980	7/16 I.D. X 1 O.D. X .075/.080 THICK WROUGHT WASHER (3/8)-PK-2	2
535	9122100	3/8 SPLIT LOCK WASHER - PACK OF 10	2
536	9122090	3/8-16 X 3 1/2 HEX BOLT - PACK OF 1	2
537	9120320	10 SPLIT LOCK WASHER - PACK OF 10	2
538	9120420	10-24 X 5/8 ROUND HEAD PHILLIPS MACHINE SCREW - PACK OF 10	2
539	1392603	MAIN FRAME	1
540	1392653	LEFT TANK PIVOT BRACKET	1
541	4894371	BUSHING	2
542	9122030	3/8-16 X 3/4 BUTTON HEAD SOCKET SCREW - PACK OF 2	2
543	1392663	RIGHT TANK PIVOT BRACKET	1
544	1393601	SOLUTION TANK	1

2010 FRAME ASSEMBLY

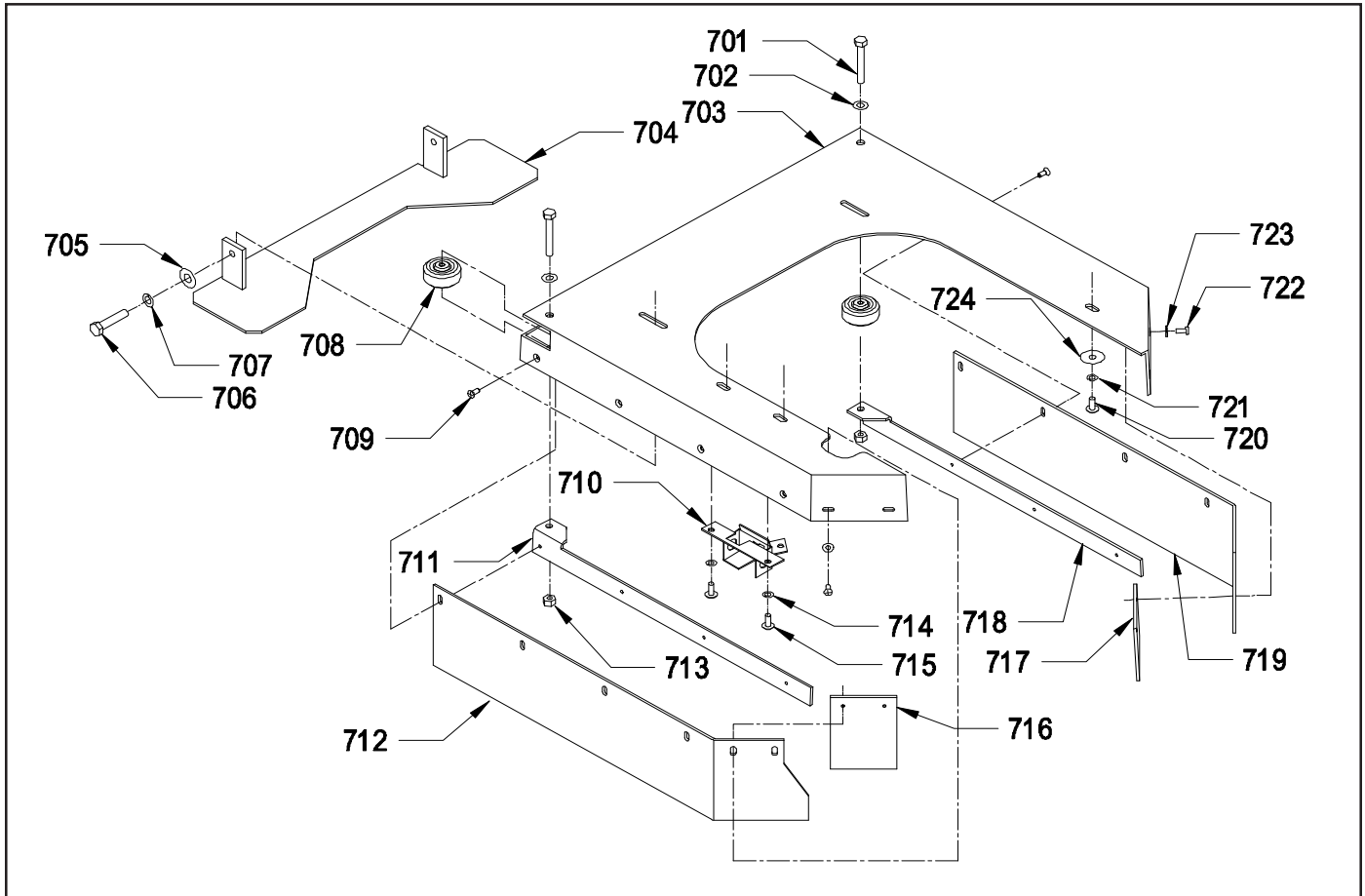


1710 SKIRT ASSEMBLY



ITEM	PART NO.	DESCRIPTION	QTY.
601	1392701	SKIRT	1
602	1392613	SKIRT MOUNTING BRACKET AND LATCH	1
603	9122180	13/32 I.D. X 13/16 O.D. X .051/.080 THK SAE FLAT WASHER (3/8)-PK-10	2
604	9122340	3/8-16 X 2 HEX BOLT - PACK OF 2	2
605	9122100	3/8 SPLIT LOCK WASHER - PACK OF 10	2
606	9120540	10-24 X 1/2 FLAT HEAD PHILLIPS MACHINE SCREW - PACK OF 10	8
607	1392941	VALVE BRACKET	1
608	1392721	LEFT SKIRT STRAP	1
609	1392711	LEFT SPLASH GUARD	1
610	1392811	LEFT REAR SKIRT STRAP	1
611	9121000	1/4-20 X 5/8 TRUSS HEAD PHILLIPS MACHINE SCREW - PACK OF 5	2
612	9120880	1/4 SPLIT LOCK WASHER - PACK OF 10	2
613	9121450	5/16-18 HEX NUT WITH NY-LOK INSERT - PACK OF 5	1
614	1392741	RIGHT SKIRT STRAP	1
615	1392821	RIGHT REAR SKIRT STRAP	1
616	1392731	RIGHT SPLASH GUARD	1
617	9121000	1/4-20 X 5/8 TRUSS HEAD PHILLIPS MACHINE SCREW - PACK OF 5	2
618	9120880	1/4 SPLIT LOCK WASHER - PACK OF 10	2
619	9120410	10-24 X 1/2 ROUND HEAD PHILLIPS MACHINE SCREW - PACK OF 10	4
620	9120370	7/32 I.D. X 1/2 O.D. X .032/.065 THICK SAE FLAT WASHER (10)-PK-10	4
621	9120950	1/4 X 1 1/4 FENDER WASHER - PACK OF 10	1
622	3096741	BUMPER WHEEL - SMALL GRAY	1
623	9121390	11/32 I.D. X 11/16 O.D. X .051/.080 THK SAE FLAT WASHER (5/16)-PK-10	1
624	9121640	5/16-18 X 3/4 HEX BOLT - PACK OF 5	1

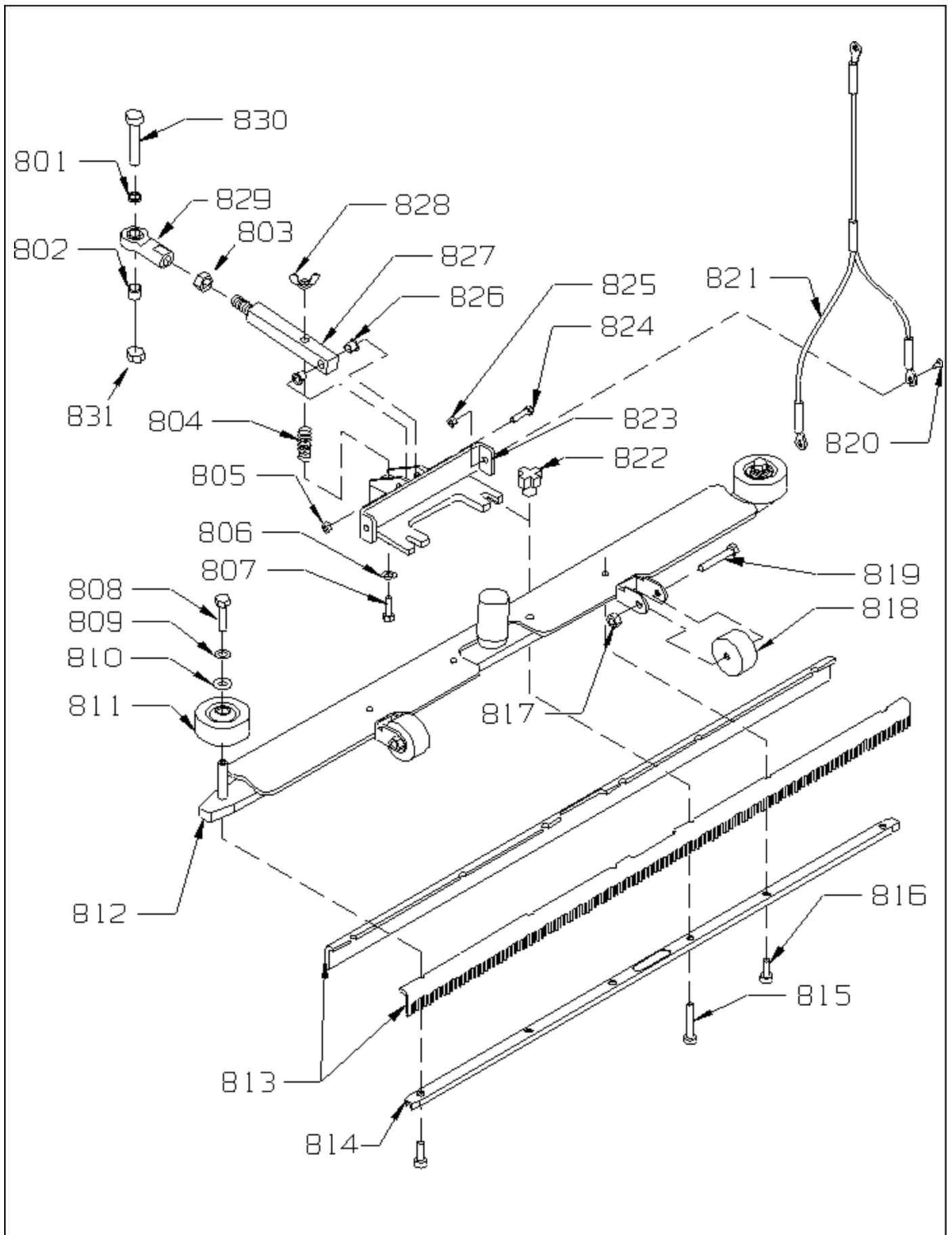
2010 SKIRT ASSEMBLY



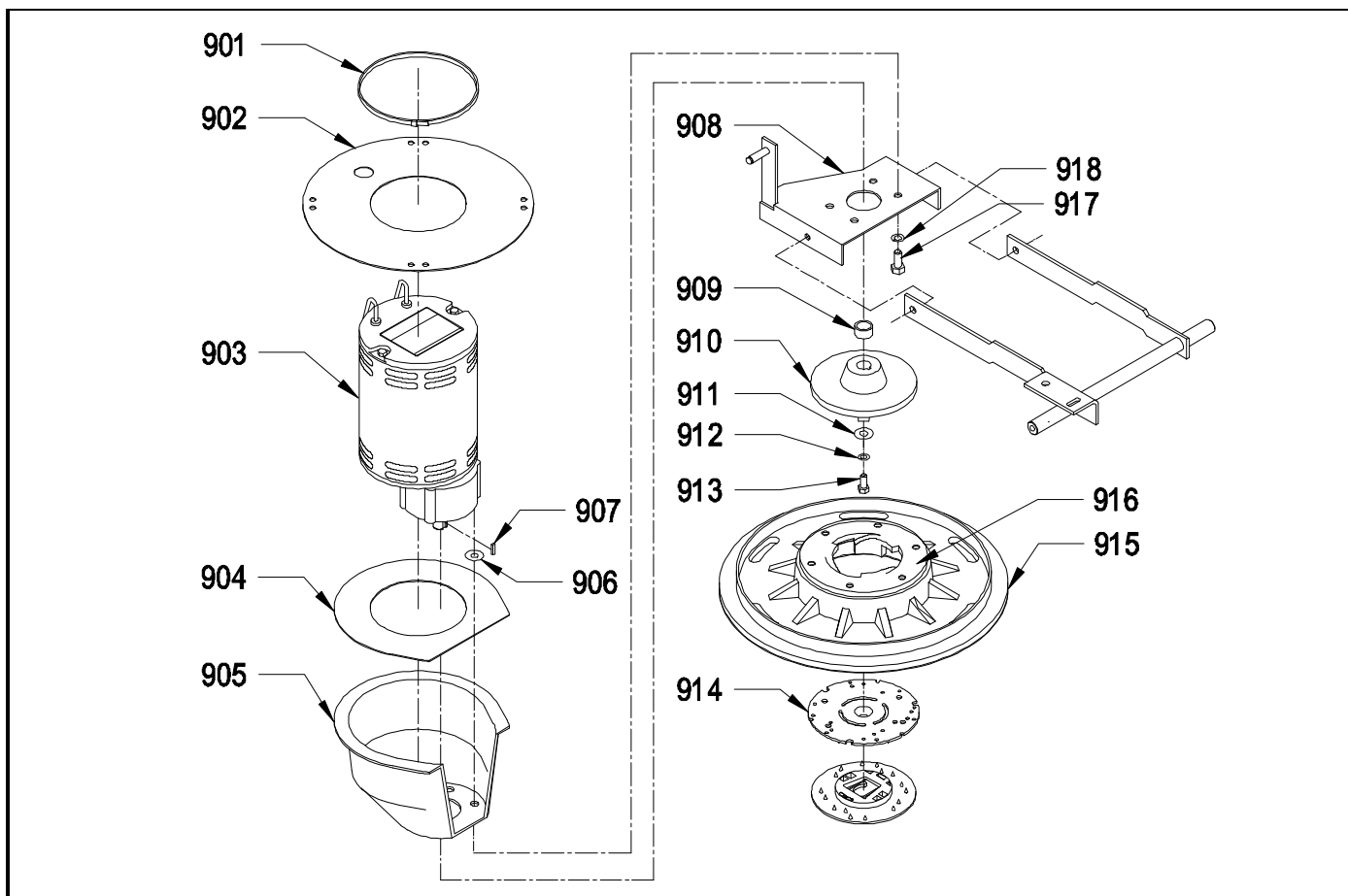
ITEM	PART NO.	DESCRIPTION	QTY.
701	9121640	5/16-18 X 3/4 HEX BOLT - PACK OF 5	1
702	9121390	11/32 I.D. X 11/16 O.D. X .051/.080 THK SAE FLAT WASHER (5/16)-PK-10	1
703	1392761	SKIRT	1
704	1392613	SKIRT MOUNTING BRACKET AND LATCH	1
705	9122180	13/32 I.D. X 13/16 O.D. X .051/.080 THICK SAE FLAT WASHER (3/8)-PK-10	2
706	9122340	3/8-16 X 2 HEX BOLT - PACK OF 2	2
707	9122100	3/8 SPLIT LOCK WASHER - PACK OF 10	2
708	3096741	BUMPER WHEEL - SMALL GRAY	2
709	9120540	10-24 X 1/2 FLAT HEAD PHILLIPS MACHINE SCREW - PACK OF 10	8
710	1392941	VALVE BRACKET	1
711	1392721	LEFT SKIRT STRAP	1
712	1392771	LEFT SPLASH GUARD	1
713	9121450	5/16-18 HEX NUT WITH NY-LOK INSERT - PACK OF 5	1
714	9120880	1/4 SPLIT LOCK WASHER - PACK OF 10	2
715	9121000	1/4-20 X 5/8 TRUSS HEAD PHILLIPS MACHINE SCREW - PACK OF 5	2
716	1392791	LEFT REAR SKIRT STRAP	1
717	1392801	RIGHT REAR SKIRT STRAP	1
718	1392741	RIGHT SKIRT STRAP	1
719	1392781	RIGHT SPLASH GUARD	1
720	9121000	1/4-20 X 5/8 TRUSS HEAD PHILLIPS MACHINE SCREW - PACK OF 5	2
721	9120880	1/4 SPLIT LOCK WASHER - PACK OF 10	2
722	9120410	10-24 X 1/2 ROUND HEAD PHILLIPS MACHINE SCREW - PACK OF 10	4
723	9120370	7/32 I.D. X 1/2 O.D. X .032/.065 THICK SAE FLAT WASHER (10)-PK-10	4
724	9120950	1/4 X 1 1/4 FENDER WASHER - PACK OF 10	1

ITEM	PART NO.	DESCRIPTION	QTY.
801	1090981	SWITCH GUARD SPACER	1
802	2391461	BUSHING - LIFT LEVER	1
803	9122670	1/2-20 HEX JAM NUT - PACK OF 5	1
804	3695581	HEIGHT ADJUSTING SPRING	1
805	9122140	3/8-16 HEX NUT WITH NY-LOK INSERT - PACK OF 5	1
806	9121520	5/16 SPLIT LOCK WASHER - PACK OF 10	1
807	9121840	5/16-18 X 2 1/4 FULL THREADED HEX BOLT - PACK OF 1	1
808	9121560	5/16-18 X 1/2 HEX BOLT - PACK OF 5	2
809	9121410	5/16 EXTERNAL STAR LOCK WASHER - PACK OF 10	2
810	9121390	11/32 I.D. X 11/16 O.D. X .051/.080 THICK SAE FLAT WASHER (5/16)-PK-10	2
811	2790281	3" BUMPER WHEEL	2
812	2692523	NARROW MOUNT SQUEEGEE HOUSING	1
	2692539	NARROW MOUNT SQUEEGEE ASSEMBLY (INCL. ITEMS 911-914, 918,922)	1
813	2793009	32" REPLACEMENT SQUEEGEE BLADES, SET OF 2	1
814	2692533	INNER CHANNEL, SQUEEGEE - NARROW MOUNT	1
815	9121920	5/16-18 X 1 1/2 SOCKET HEAD CAP SCREW - PACK OF 2	2
916	9121880	5/16-18 X 3/4 SOCKET HEAD CAP SCREW - PACK OF 2	4
817	9121450	5/16-18 HEX NUT WITH NY-LOK INSERT - PACK OF 5	2
818	3096741	WHEEL, BUMPER - SMALL GRAY	2
819	9121760	5/16-18 X 1 3/4 HEX BOLT - PACK OF 2	2
820	9121010	1/4-20 X 3/4 TRUSS HEAD PHILLIPS MACHINE SCREW - PACK OF 5	2
821	1393541	"Y" SQUEEGEE LIFT CABLE	1
822	3392971	SQUEEGEE KNOB	2
823	1390171	SQUEEGEE BRACKET	1
824	9122340	3/8-16 X 2 HEX BOLT - PACK OF 2	1
825	9120900	1/4-20 HEX NUT WITH NY-LOK INSERT - PACK OF 10	2
826	1391171	3/8 FLANGE NYLINER	2
827	1390156	SQUEEGEE SHAFT	1
828	9121445	5/16-18 WING NUT WITH NY-LOK INSERT - PACK OF 2	1
829	2391941	BALL JOINT	1
830	9122570	1/2-13 X 1 3/4 HEX BOLT - PACK OF 1	1
831	9122507	1/2-13 HEX NUT W/NYLOK INSERT	1

SQUEEGEE ASSEMBLY

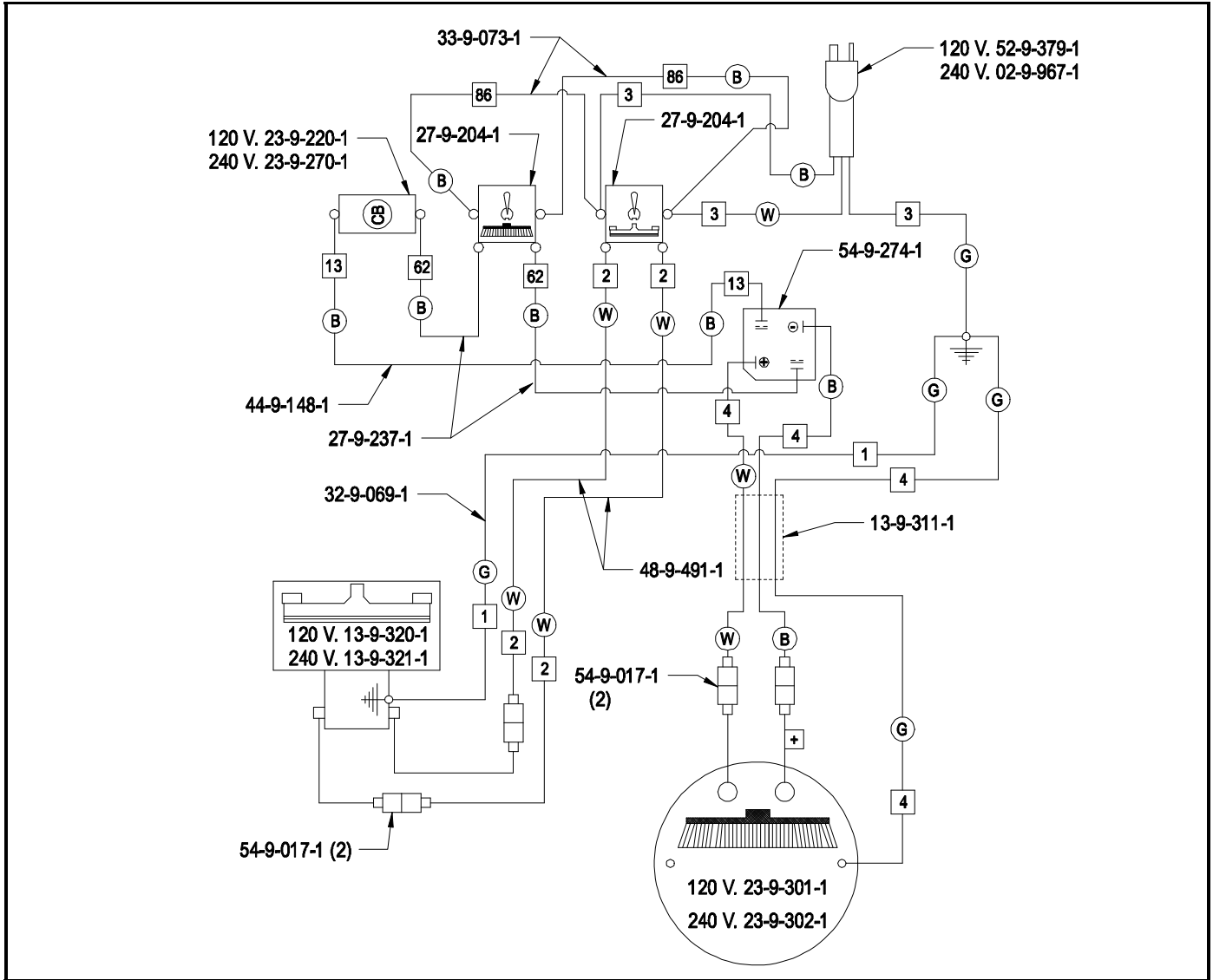


BRUSH MOTOR ASSEMBLY



ITEM	PART NO.	DESCRIPTION	QTY.
901	1392871	TIE WRAP	2
902	1392851	BRUSH MOTOR UPPER DRIP CAP	1
903	2393011	GEAR MOTOR 3/4 HP 120 VOLT AC	1
	2393241	CARBON BRUSH - 120 VOLT AC	4
	2393021	GEAR MOTOR 3/4 HP 240 VOLT AC	1
	2393241	CARBON BRUSH - 240 VOLT AC	4
904	1392861	BRUSH MOTOR LOWER DRIP CAP	1
905	1392541	BRUSH MOTOR SPLASH GUARD	1
906	9122180	13/32 I.D. X 13/16 O.D. X .051/.080 THICK SAE FLAT WASHER (3/8)-PK-10	2
907	2792681	1/4 X 1/4 X 1 MOTOR KEY	1
908	1392621	BRUSH MOTOR TILT BASE	1
909	2393061	SPACER	1
910	2393052	CLUTCH CASTING	1
911	9121400	3/8 I.D. X 7/8 O.D. X .064/.104 THICK WROUGHT WASHER (5/16)-PK-10	1
912	9121520	5/16 SPLIT LOCK WASHER - PACK OF 10	1
913	9121680	5/16-18 X 1 HEX BOLT - PACK OF 5	1
914	5990731	SPRING CLIP PAD HOLDER SET (WHITE)	1
915	2897601	17" STRUCTURAL FOAM PAD DRIVER	1
	2892601	20" STRUCTURAL FOAM PAD DRIVER	1
	2897211	17" POLY BACK TUFTED PAD DRIVER WITH PAD HOLDER	1
	—	SEE ACCESSORY PAGE FOR TYPES OF BRUSHES	1
916	2890101	CLUTCH PLATE - PLASTIC 5" DIAMETER 6 HOLES - WHITE	1
917	9122220	3/8-16 X 3/4 HEX BOLT - PACK OF 5	4
918	9122100	3/8 SPLIT LOCK WASHER - PACK OF 10	4

WIRING DIAGRAM



ITEM	PART NO	DESCRIPTION	QTY.
1	3290691	GREEN WIRE GROUND TO MOTOR	1
2	4894911	14 GAGE X 6" WHITE WIRE	2
3	5293791	CORD - 75 FEET, 14-3 ST (120 VOLT)	1
	0299671	SHUKO CORD - 75 FEET, 16-3 (240 VOLT)	1
4	1393111	CABLE ASSEMBLY - BRUSH MOTOR	1
13	4491481	MAIN SWITCH TO SAFETY SWITCH	1
62	2792371	WIRE #14 X 6" #62	2
86	3390731	WIRE #18 X 10" #86	2
—	1393201	VACUUM MOTOR 120 VOLT AC	1
—	1393211	VACUUM MOTOR 240 VOLT AC	1
—	2392201	CIRCUIT BREAKER - 115 VOLT	1
—	2392701	CIRCUIT BREAKER - 240 VOLT / 5 AMP	1
—	2393011	GEAR MOTOR 3/4 HP 120 VOLT AC	1
—	2393021	GEAR MOTOR 3/4 HP 240 VOLT AC	1
—	2792041	SWITCH - TOGGLE VAC	2
—	9123005	WIRE TIE - 5 1/2" LONG - PACK OF 5	1
—	5492741	RECTIFIER 60 AMP	1
—	5490171	FULLY INSULATED MALE TERMINAL 14-16 GAGE	4

ACCESSORIES



- 2392129 WET PICKUP KIT, INCLUDES:
2291211 5" CONNECTOR, ALUMINUM
2391231 VACUUM HOSE, 7 FOOT
5797011 TOOL - SQUEEGEE WITH WHEELS, 15"
5790469 STEEL WAND, 2 PIECE
2391241 HOSE STRAP
9997550 VELCRO HOOK
9997560 VELCRO LOOP



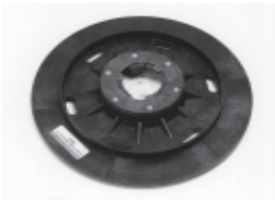
- 2392179 BRUSH / SQUEEGEE KIT, INCLUDES:
2291211 5" CONNECTOR, ALUMINUM
2290209 STEEL WAND, 1 PIECE
2391231 VACUUM HOSE, 7 FOOT
3097849 14" BRUSH / SQUEEGEE TOOL



- 2890101 CLUTCH PLATE, PLASTIC 5" DIAMETER 6 HOLES - CREAM



- 5990731 SPRING CLIP PAD HOLDER SET



- 2897211 17" POLY BACK TUFTED PAD DRIVER W/PAD HOLDER
2897601 17" STRUCTURAL FOAM PAD DRIVER
2892601 20" STRUCTURAL FOAM PAD DRIVER



- 2897201 17" POLY BACK NYLON FILL SCRUB BRUSH
2897711 17" POLY BACK NYLO GRIT SCRUB BRUSH
2897901 17" POLY BACK SCRUB GRIT BRUSH
2892031 20" PLASTIC BACK BASSINE SCRUB BRUSH
2892201 20" POLY BACK NYLON FILL SCRUB BRUSH
2892701 20" POLY BACK BRUSH, SHOWER FEED
2892711 20" POLY BACK NYLO GRIT SCRUB BRUSH
2892901 20" SCRUB GRIT BRUSH

- 7990031 17" GREEN ECOSTRIP PAD
7990041 20" GREEN ECOSTRIP PAD

- 9091001 HARDWARE CATALOG
9091002 HOSES, TOOLS AND ACCESSORIES CATALOG
9091718 OPERATORS MANUAL

TROUBLE SHOOTING

PROBLEM	CAUSE	SOLUTION
No Solution Flow	The solution valve is closed. Obstruction in the solution hose. Solution valve or linkage damaged. Solution tank is empty.	Open the solution valve. Remove the obstruction. Repair/replace the valve linkage. Fill the tank.
Solution Flow Does Not Stop	The solution valve is open. Solution valve or linkage damage. Solution valve is dirty. Damaged seat and washer in valve. The valve stem is dirty.	Close the solution valve. Repair/replace the valve linkage. Clean the solution valve. Replace valve. Clean and lubricate valve stem.
Will Not Pick Up Any Water From Floor	Squeegee is up. Vac motor switch is "off". Recovery tank is full. Vacuum shut-off float is stuck squeegee hose or standpipe. Leaking cover gasket. Vac motor is not running.	Lower squeegee. Turn vac motor switch "on". Empty tank. Open float valve / remove obstruction. Remove old gasket / replace. Have an authorized serviceman repair.
Will Not Pick Up All Water From Floor	Squeegee blade is worn / damaged. Obstruction/damage in the squeegee, squeegee hose or standpipe. Squeegee pressure needs adjustment. Vacuum motor worn out.	Reverse/replace squeegee blade. Remove obstruction/repair damage. Adjust pressure. Repair/replace vac motor.
Cleaning Is Not Even	Brush/pads are worn. Damage to brush assembly, casters, or solution valve. Motor is not running.	Replace. Have authorized serviceman repair. Repair wiring, replace switch, replace carbon brushes. Reset circuit breaker button.
Machine Does Not Run	The machine loses power.	Reset circuit breaker.

NOTE: If problems remain after taking the above steps, contact your local authorized service station for further evaluation and repair.



NSS ® Enterprises, Inc.

3115 Frenchmens Road, Toledo, Ohio 43607
PHONE (419) 531-2121 FAX (419) 531-3761

NSS ® Enterprises, Inc. European Distribution Centre
Unit II, Pinfold Trading Estate * 55 Nottingham Road
STAPLEFORD, NOTTINGHAM NG9 8AD ENGLAND U.K.
PHONE: (44) 0115 939 1568 * FAX: (44) 0115 949 0615