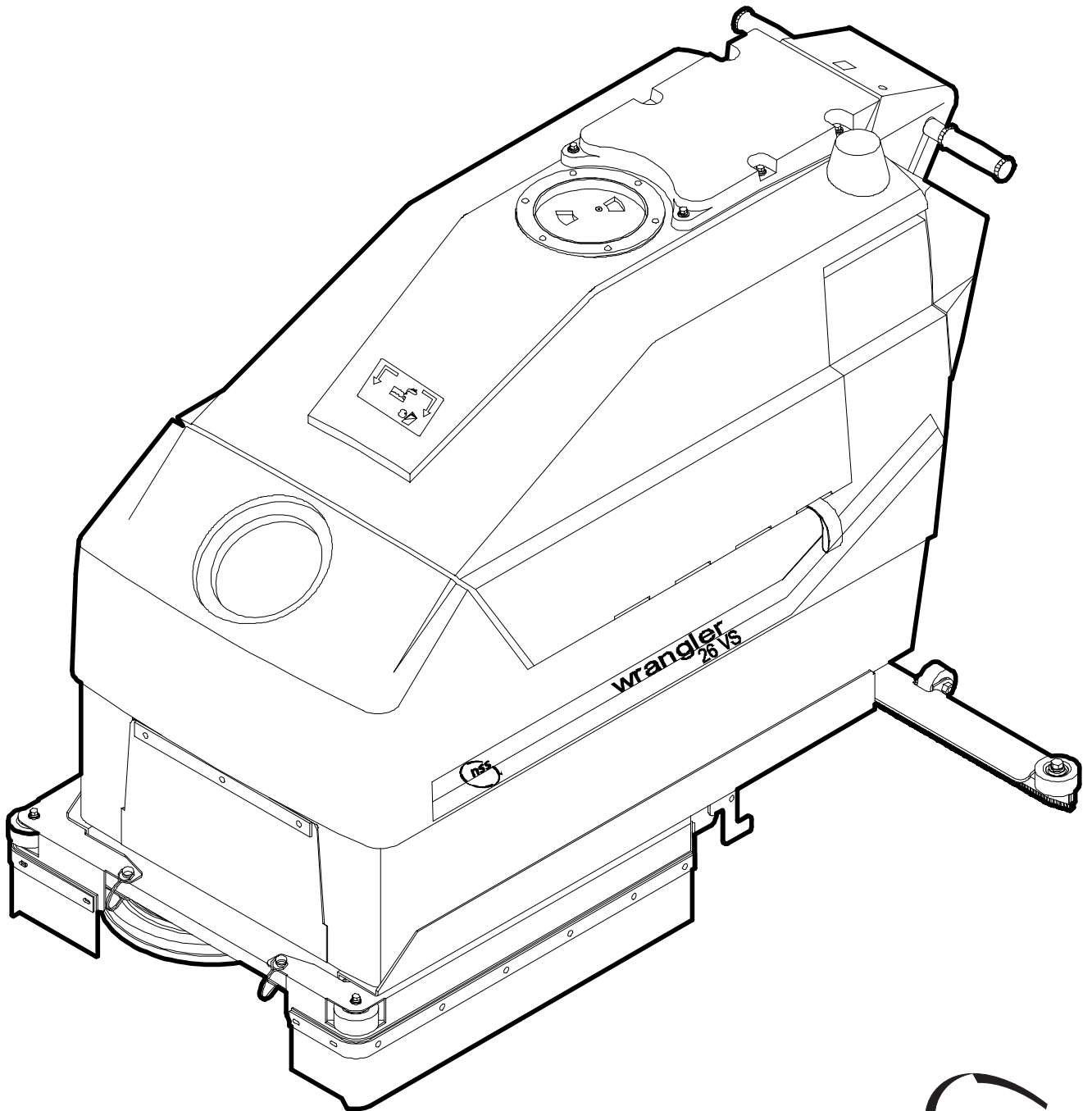


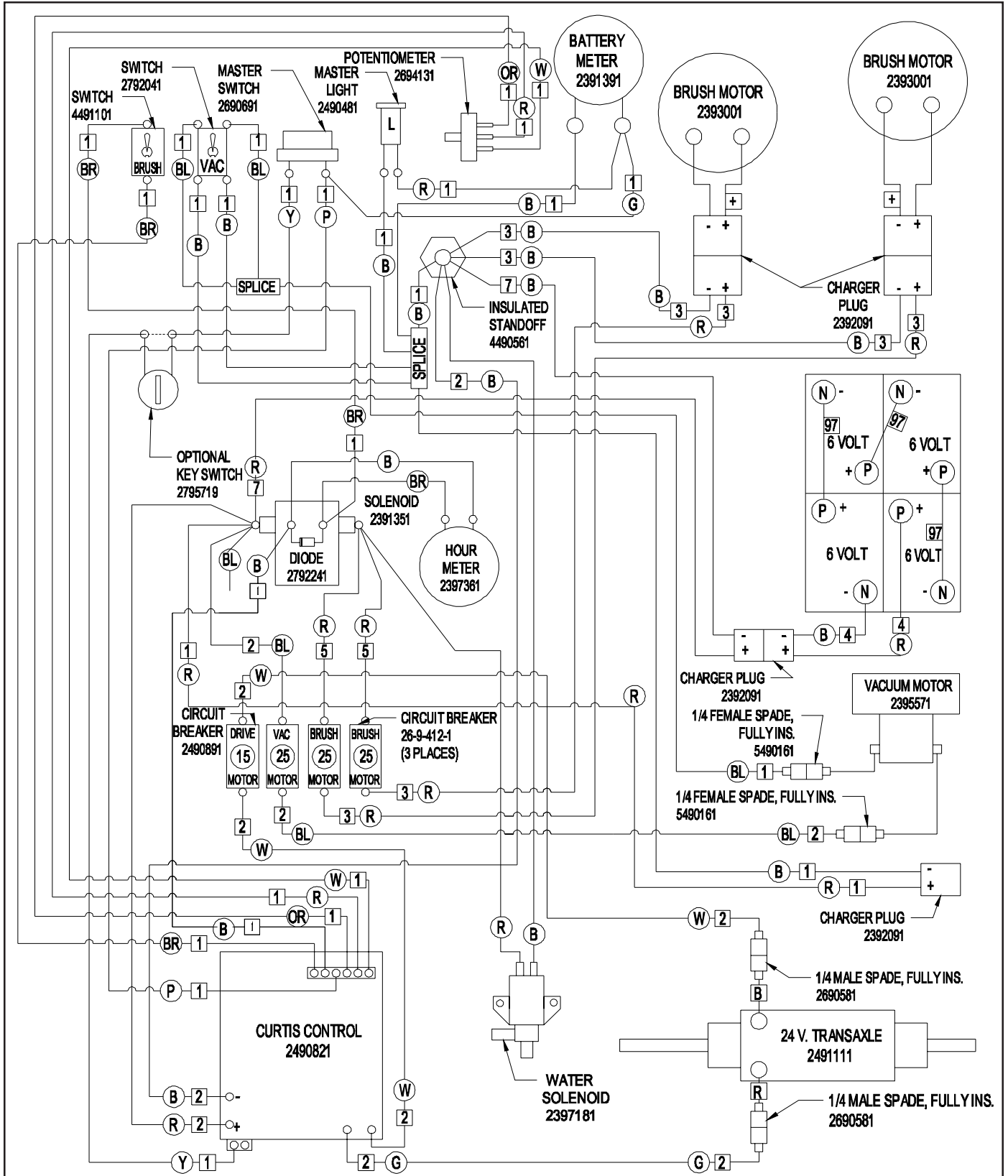
PARTS LIST
WRANGLER 26-VS



ELECTRICAL WIRING

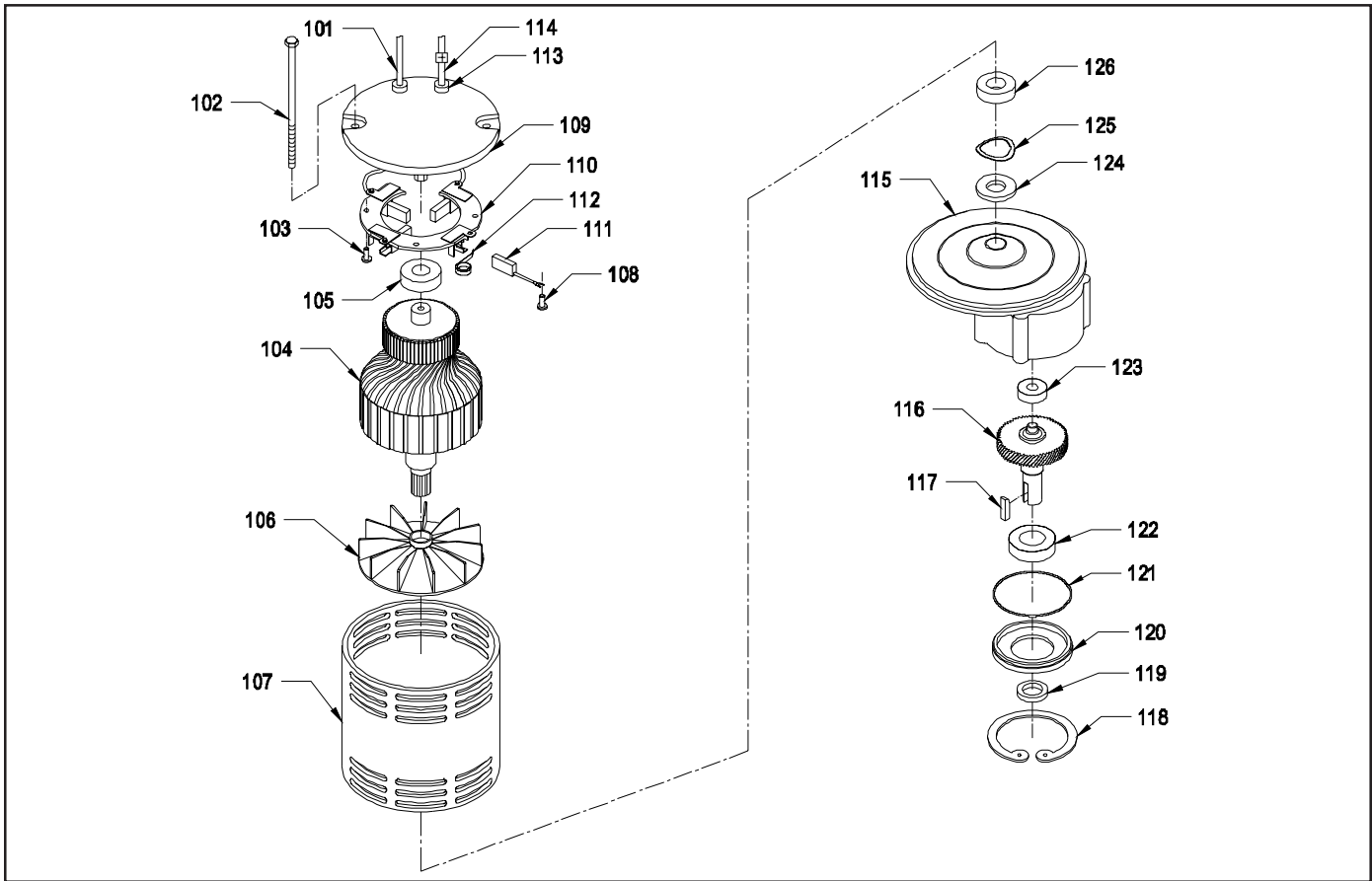
<u>ITEM</u>	<u>PART NO.</u>	<u>DESCRIPTION</u>	<u>QTY.</u>
1	2694161	UPPER WIRING HARNESS	1
2	2694171	LOWER WIRING HARNESS	1
3	2490811	BRUSH MOTOR WIRE ASSEMBLY	1
4	2396141	WIRE ASSEMBLY ANDERSON TO POSITIVE / NEGATIVE BATTERY	1
5	2694181	POSITIVE BRUSH JUMPER	1
7	2396151	WIRE ASSEMBLY ANDERSON TO SOLENOID/STANDOFF	1
97	2391981	BATTERY JUMPER 3/8 RING	3
—	2391351	SOLENOID 24 VOLT SINGLE POLE	1
—	2391391	BATTERY METER	1
—	2391901	CHARGER PLUG ONLY - RED 24 VOLT	5
—	2393001	GEAR MOTOR - 3/4 HP 24 VOLT DC	2
—	2395571	VAC MOTOR - 24 VOLT - 3 STAGE	1
—	2491111	TRANSAXLE - 24"	1
—	2490481	GREEN INDICATOR LIGHT - 24 VOLT WITH CLIP	1
—	2490821	SPEED CONTROL - CURTIS - 24 VOLT	1
—	2490891	15 AMP CIRCUIT BREAKER	1
—	5490161	FULLY INSULATED FEMALE TERMINAL 14-16 GAGE	2
—	2690581	1/4 MALE SPADE TERMINAL FULLY INSULATED 10-12 GAGE	2
—	2690691	MASTER SWITCH	1
—	2694121	25 AMP CIRCUIT BREAKER	3
—	2694131	POTENTIOMETER	1
—	2792041	TOGGLE SWITCH	1
—	2795719	KEY SWITCH KIT (OPTIONAL)	-
—	2795739	HOUR METER KIT (SERVICE OPTION)	-
—	2397361	HOUR METER	1
—	2397181	WATER SOLENOID	1
—	2490991	WIRE ASSEMBLY HOUR METER	1
—	2491001	WIRE ASSEMBLY WATER SOLENOID	1
—	4490561	INSULATED STANDOFF	1
—	4491101	TOGGLE SWITCH	1
—	2692661	WIRE, JUMPER TO EMERGENCY STOP	1
—	2692671	WIRE, EMERGENCY STOP TO MASTER	1
—	2490961	#6 RING TERMINAL 18-22 GAGE OPTIONAL WITH KEY SWITCH	2

ELECTRICAL WIRING DIAGRAM



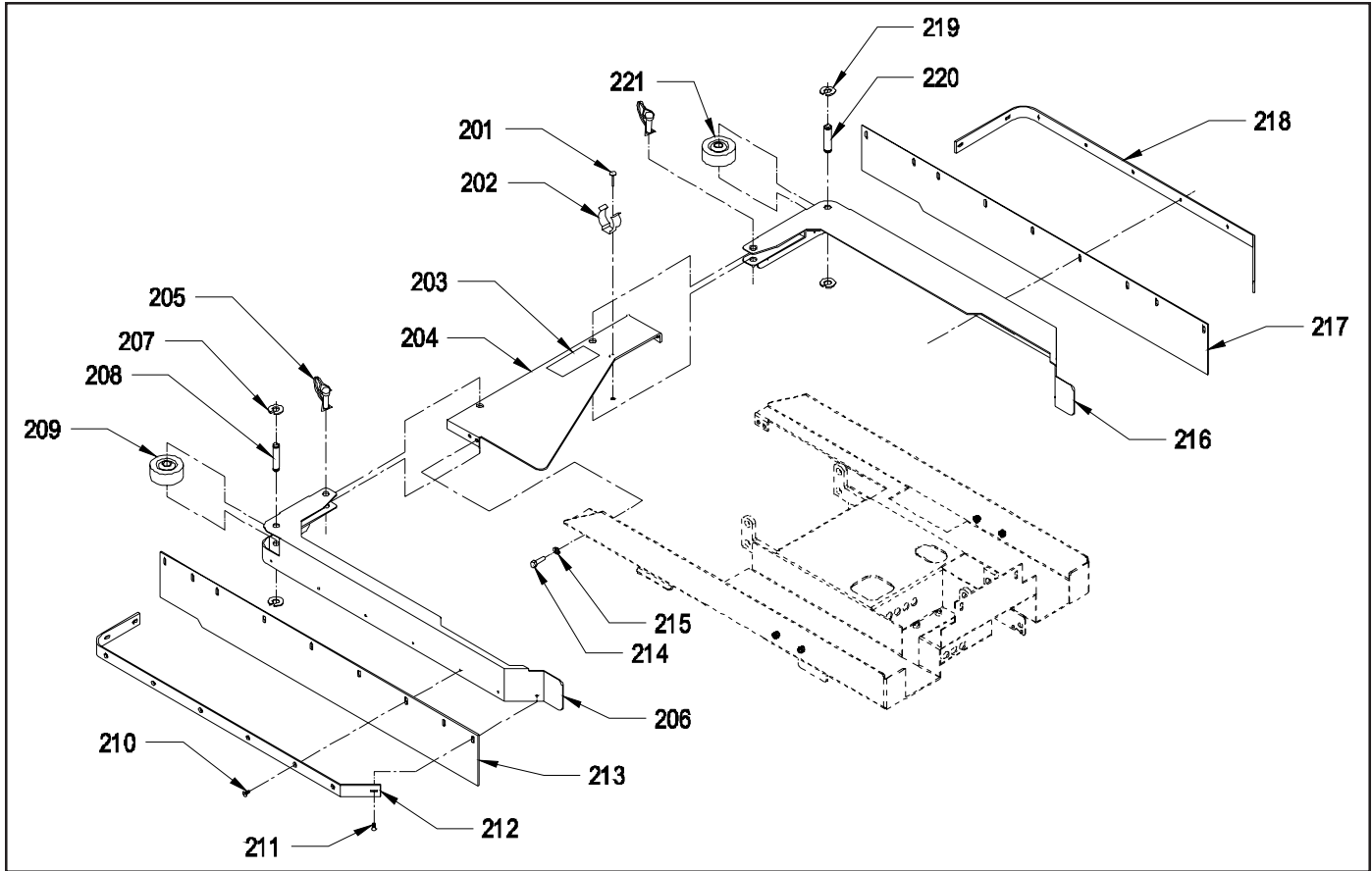
B = BLACK Y = YELLOW PU = PURPLE
 W = WHITE G = GREEN BL = BLUE
 BR = BROWN R = RED OR = ORANGE

BRUSH GEAR MOTOR



ITEM	PART NO.	PART DESCRIPTION	QTY.
	2393001	COMPLETE MOTOR ASSEMBLY	1
101	3391221	NEGATIVE LEAD	1
102	3391201	1/4-20 X 7 3/4 THRU BOLT	2
103	—	10-24 X 1/2 SELF TAP ROUND HEAD SLOTTED SCREW	2
104	2393251	ARMATURE ASSEMBLY - INCLUDES:	1
105	5092041	TOP END BEARING	1
106	3391191	ARMATURE VENT FAN	1
107	3391041	STATOR FRAME ASSEMBLY WITH MAGNETS	1
108	—	10-32 X 1/2 PAN HEAD SLOTTED SCREW, BRASS	4
109	3391011	TOP END BRACKET WITH BRUSH BOARD ASSEMBLY - INCLUDES:	1
	3391001	TOP END BRACKET ONLY	1
110	3391021	BRUSH BOARD ASSEMBLY - INCLUDES:	1
111	3391081	CARBON BRUSH	4
112	2797571	CARBON BRUSH SPRING	4
113	3391071	STRAIN RELIEF	2
114	3391211	POSITIVE LEAD	1
115	3391181	GEAR BOX ASSEMBLY - INCLUDES:	1
	3391101	GEAR BOX - HOUSING ONLY	1
116	3391121	GEAR SHAFT - INCLUDES:	1
117	2792681	1/4 X 1/4 X 1 MOTOR KEY	1
118	3391171	SNAP RING	1
119	3391161	OIL SEAL - SMALL	1
120	3391151	END CAP	1
121	3391141	"O" RING	1
122	3391131	BOTTOM BEARING - LARGE	1
123	3391111	TOP BEARING - SMALL	1
124	3391091	OIL SEAL - LARGE	1
125	2797591	1 13/32 I.D. X 1 7/8 O.D. 2 WAVE SPRING WASHER	1
126	3391051	BOTTOM END BEARING	1

SIDE SKIRT ASSEMBLY

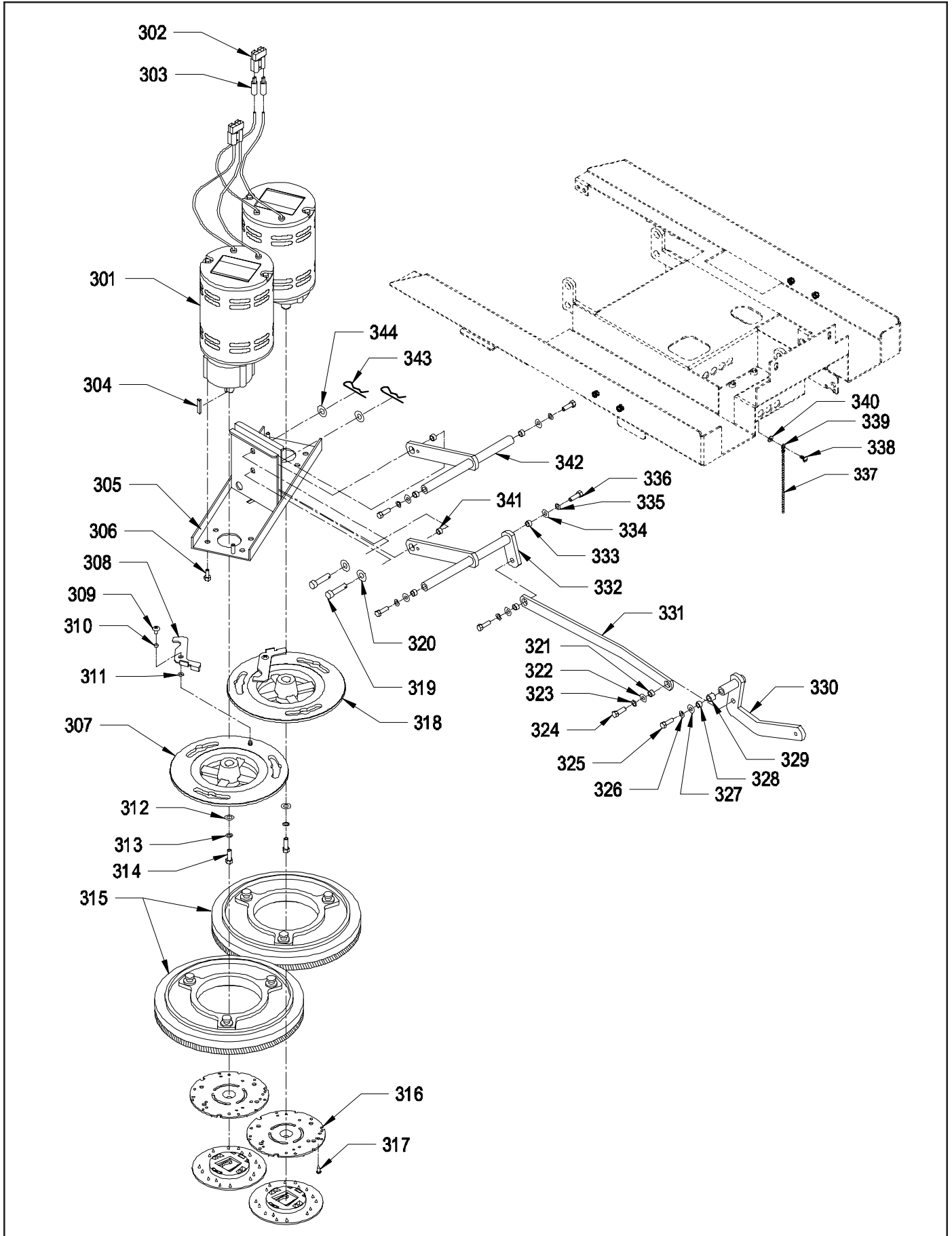


ITEM	PART NO.	DESCRIPTION	QTY.
201	9120301	1/8 X 1/4 RIVET BLIND - DOME HEAD	2
202	2392131	SPRING CLIP	1
203	2694411	DECAL KIT - RECOVERY TANK DRAIN	1
204	2490153	SKIRT MOUNT BRACKET	1
205	9121950	3/8 X 1 5/8 CLEVIS PIN WITH RETAINER	2
206	2499019	LEFT SKIRT ASSEMBLY - INCLUDES:	1
	2490223	LEFT SKIRT	1
207	5091701	RETAINING RING	2
208	2490311	AXLE -BUMPER WHEEL	1
209	2790281	3" BUMPER WHEEL	1
210	9120540	10-24 X 1/2 FLAT HEAD PHILLIPS MACHINE SCREW	6
211	9120410	10-24 X 1/2 ROUND HEAD PHILLIPS MACHINE SCREW	3
212	2490261	LEFT SKIRT STRAP	1
213	2490241	LEFT WIPER	1
214	9121640	5/16-18 X 3/4 HEX BOLT	4
215	9121520	5/16 SPLIT LOCK WASHER	4
216	2499029	RIGHT SKIRT ASSEMBLY - INCLUDES:	1
	2490233	RIGHT SKIRT	1
217	2490251	RIGHT WIPER	1
218	2490271	RIGHT SKIRT STRAP	1
219	5091701	RETAINING RING	2
220	2490311	AXLE -BUMPER WHEEL	1
221	2790281	3" BUMPER WHEEL	1
210	9120540	10-24 X 1/2 FLAT HEAD PHILLIPS MACHINE SCREW	5
211	9120410	10-24 X 1/2 ROUND HEAD PHILLIPS MACHINE SCREW	4

BRUSH MOTOR ASSEMBLY

ITEM	PART NO.	DESCRIPTION	QTY.
301	2499049	GEAR MOTOR - 3/4HP - 24 VOLT DC ASSEMBLY - INCLUDES:	2
	2393001	GEAR MOTOR - 3/4HP - 24 VOLT DC	2
302	2392091	CHARGER PLUG - RED 24 VOLT	2
303	4490721	CONTACT PINS - ANDERSON	4
304	2792681	1/4 SQUARE X 1 LONG KEY - STEEL	2
305	2490173	BRUSH MOTOR MOUNT	1
306	9122220	3/8-16 X 3/4 HEX BOLT	8
307	2792499	LEFT BRUSH DRIVE PLATE ASSEMBLY - INCLUDES:	1
	2790202	BRUSH DRIVE PLATE	2
308	2790211	BRUSH PLATE LATCH	2
309	9121090	1/4-20 X 1/2 TRUSS HEAD PHILLIPS MACHINE SCREW	2
310	2791281	BUSHING SPACER	2
311	9122120	3/8 I.D. X 5/8 O.D. X .031 THICK 1 WAVE SPRING WASHER (3/8)	2
312	9121400	3/8 I.D. X 7/8 O.D. X .064/.104 THICK WROUGHT WASHER (5/16)	2
313	9121520	5/16 SPLIT LOCK WASHER	2
314	9121680	5/16-18 X 1 HEX BOLT	2
315	2694491	13" PAD DRIVER - SEE ACCESSORY PAGE FOR TYPES OF BRUSHES	2
316	5990731	SPRING CLIP PAD HOLDER SET - INCLUDES:	2
317	9120790	10 X 5/8 PAN HEAD SHEET METAL SCREW	3
318	2792489	RIGHT BRUSH DRIVE PLATE ASSEMBLY - INCLUDES:	1
	2790202	BRUSH DRIVE PLATE	2
308	2790211	BRUSH PLATE LATCH	2
309	9121090	1/4-20 X 1/2 TRUSS HEAD PHILLIPS MACHINE SCREW	2
310	2791281	BUSHING SPACER	2
311	9122120	3/8 I.D. X 5/8 O.D. X .031 THICK 1 WAVE SPRING WASHER (3/8)	2
312	9121400	3/8 I.D. X 7/8 O.D. X .064/.104 THICK WROUGHT WASHER (5/16)	2
313	9121520	5/16 SPLIT LOCK WASHER	2
314	9121680	5/16-18 X 1 HEX BOLT	2
319	9122561	1/2 X 1 1/4 CLEVIS PIN	2
320	9122450	17/32 I.D. X 1 1/16 O.D. X .074/.121 THICK SAE FLAT WASHER (1/2)	2
321	2391461	BUSHING SPACER	2
322	9122450	17/32 I.D. X 1 1/16 O.D. X .074/.121 THICK SAE FLAT WASHER (1/2)	2
323	9122420	1/2 SPLIT LOCK WASHER	2
324	9122530	1/2-13 X 1 HEX BOLT	2
325	9122550	1/2-13 X 1 1/2 HEX BOLT	1
326	9122420	1/2 SPLIT LOCK WASHER	1
327	9122450	17/32 I.D. X 1 1/16 O.D. X .074/.121 THICK SAE FLAT WASHER (1/2)	1
328	2790751	BUSHING SPACER	1
329	4492791	PIVOT BUSHING	1
330	2490211	BRUSH LIFT ARM - REAR	1
331	2490201	BRUSH LIFT BAR	1
332	2490181	BRUSH LIFT ARM - FRONT	1
333	2790751	BUSHING SPACER	4
334	9122450	17/32 I.D. X 1 1/16 O.D. X .074/.121 THICK SAE FLAT WASHER (1/2)	4
335	9122420	1/2 SPLIT LOCK WASHER	4
336	9122550	1/2-13 X 1 1/2 HEX BOLT	4
337	6491860	ROUND BEAD CHAIN	6"
338	9120510	10-24 X 1/2 TRUSS HEAD PHILLIPS MACHINE SCREW	1
339	6491871	END COUPLING ROUND BEAD CHAIN	1
340	9120330	#10 EXTERNAL STAR LOCK WASHER	1
341	2790751	BUSHING SPACER	2
342	2490191	BRUSH LIFT ARM GUIDE	1
343	9120312	1/8 X 1 HUMPED COTTER PIN	2
344	9122450	17/32 I.D. X 1 1/16 O.D. X .074/.121 THICK SAE FLAT WASHER (1/2)	2

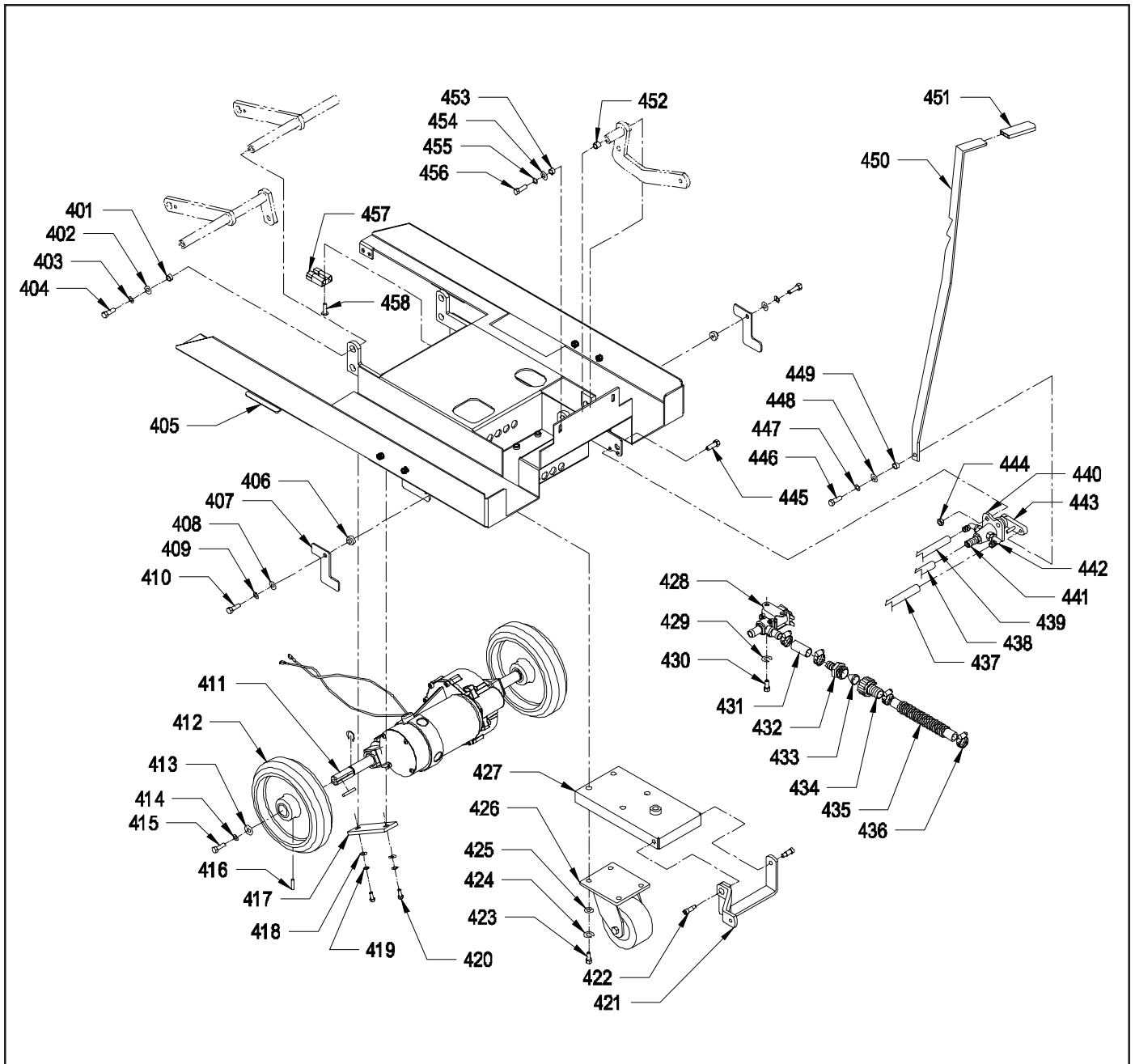
BRUSH MOTOR ASSEMBLY



TRANSAXLE AND FRAME ASSEMBLY

ITEM	PART NO.	DESCRIPTION	QTY
401	2790751	BUSHING SPACER	4
402	9122450	17/32 I.D. X 1 1/16 O.D. X .074/.121 THICK SAE FLAT WASHER (1/2)	4
403	9122420	1/2 SPLIT LOCK WASHER	4
404	9122550	1/2-13 X 1 1/2 HEX BOLT	4
405	2491123	FRAME	1
406	2691771	PIN, SKIRT LATCH	2
407	2490651	SKIRT LATCH	2
408	9120930	9/32 I.D. X 5/8 O.D. X .051/.080 THICK SAE FLAT WASHER (1/4)	2
409	9120880	1/4 SPLIT LOCK WASHER	2
410	9121250	1/4-20 X 3/4 HEX BOLT WITH NYLON PATCH	2
411	2491109	TRANSAXLE WITH ANTI-SEIZE - INCLUDES:	1
	2690581	1/4 SPADE MALE TERMINAL 10-12 YELLOW	2
	5293151	RETAINING RING	2
	2491131	MOTOR	1
	9120825	3/16 SQUARE X 7/8 LONG KEY - STEEL	2
	2491151	RUBBER GROMMET	2
	2491161	SNAP RINGS	2
	2491171	BEVEL GEAR	4
	2491181	MAGNET AND HOUSING	1
	2491201	BRUSH	4
	2491211	BRUSH HOLDER	4
	9997641	ANTI-SEIZE LUBRICANT	1
412	2395501	DRIVE WHEEL - 8" X 2"	2
413	9121980	7/16 I.D. X 1 O.D. X .075/.080 THICK SAE FLAT WASHER (3/8)	2
414	9122100	3/8 SPLIT LOCK WASHER	2
415	9122220	3/8-16 X 3/4 HEX BOLT	2
416	9121380	5/16-18 X 3/8 SET SCREW - KNURL POINT	2
417	2692121	AXLE CLAMP	2
418	9120930	9/32 I.D. X 5/8 O.D. X .051/.080 THICK SAE FLAT WASHER (1/4)	4
419	9120880	1/4 SPLIT LOCK WASHER	4
420	9121250	1/4-20 X 3/4 HEX BOLT WITH NYLON PATCH	4
421	2490751	SQUEEGEE LIFT	1
422	9121500	5/16 X 1/2 SOCKET HEAD SHOULDER BOLT (1/4-20)	2
423	9122260	3/8-16 X 1 HEX BOLT	4
424	9122100	3/8 SPLIT LOCK WASHER	4
425	9121980	7/16 I.D. X 1 O.D. X .075/.080 THICK SAE FLAT WASHER (3/8)	4
426	6492061	RED 4 INCH CASTER	1
	4490391	REPLACEMENT RED CASTER - WHEEL ONLY	1
427	2490741	SQUEEGEE MOUNT BRACKET	1
428	2397181	SOLUTION SOLENOID VALVE	1
429	9120880	1/4 SPLIT LOCK WASHER	2
430	9121090	1/4-20 X 1/2 TRUSS HEAD PHILLIPS MACHINE SCREW	2
431	2491017	1/2 I.D. X 3/4 O.D. X 2" LONG VINYL TUBING	1
432	2490981	FITTING 1/2 HOSE X MALE GHT	1
433	2690241	FILTER SCREEN	1
434	2690251	FILTER FITTING HOSE BARB AND COLLAR	1
435	2692551	CONVOLUTED TUBING 6.5"	1
436	4892651	HOSE CLAMP - 1/4" TO 13/16"	4
437	2490847	3/8 I.D. X 43.5" LONG VINYL HOSE	1
438	2491027	1/2 I.D. X 3/4 O.D. X 18" LONG VINYL TUBING	1
439	2490867	3/8 I.D. X 48.5" LONG VINYL HOSE	1
440	2690909	SOLUTION VALVE ASSEMBLY - INCLUDES:	1
	2791401	SOLUTION VALVE	1
441	2495161	FITTING - 1/2 HOSE BARB X 1/4 MNPT	1
442	2490601	90 DEGREE HOSE BARB 3/8 - 1/4 MNPT	2
443	2791416	VALVE LEVER	1

TRANSAXLE AND FRAME ASSEMBLY

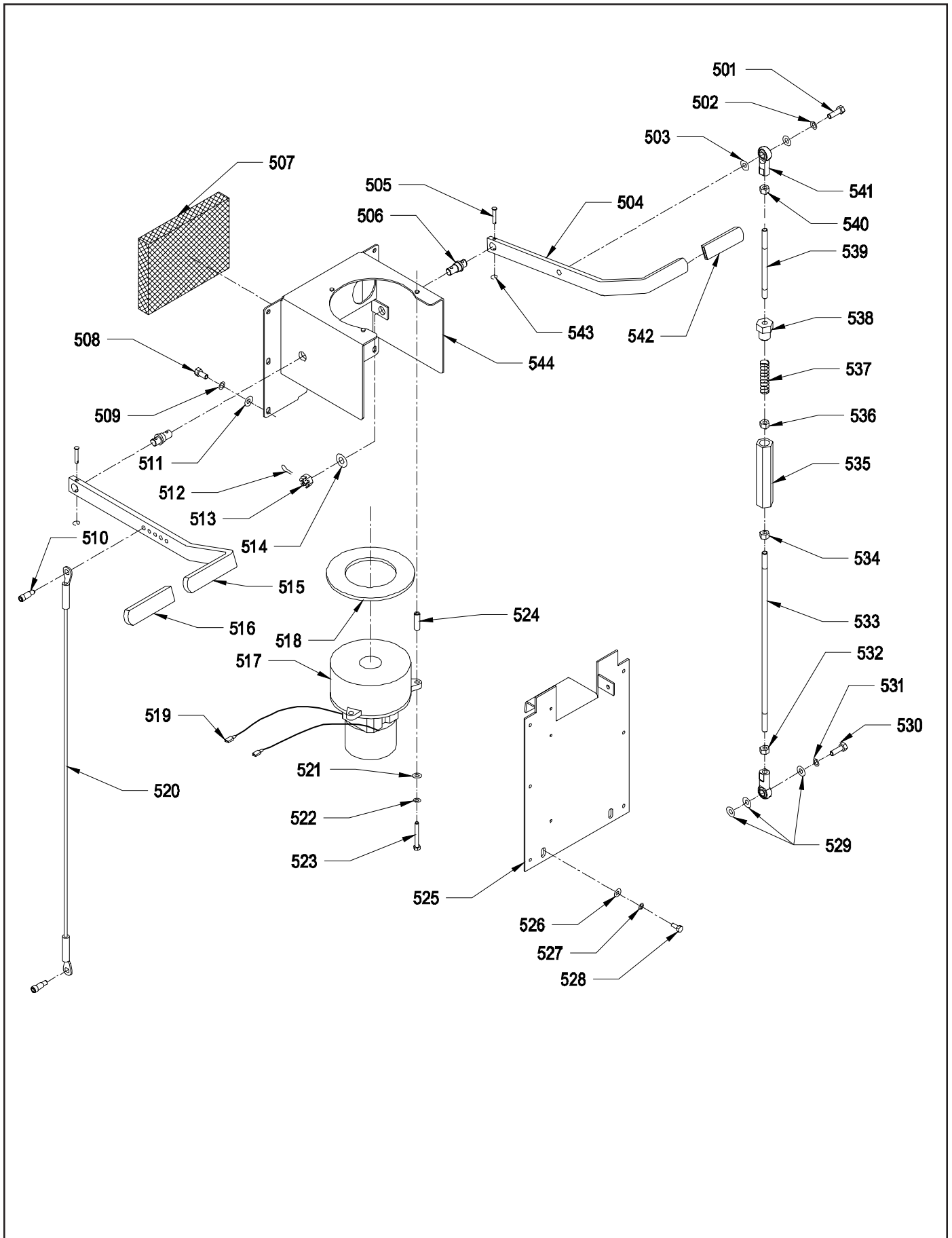


444	9120900	1/4-20 HEX NUT WITH NY-LOK INSERT	2
445	9121250	1/4-20 X 3/4 HEX BOLT WITH NYLON PATCH	2
446	9121250	1/4-20 X 3/4 HEX BOLT WITH NYLON PATCH	1
447	9120880	1/4 SPLIT LOCK WASHER	1
448	9120930	9/32 I.D. X 5/8 O.D. X .051/.080 THICK SAE FLAT WASHER (1/4)	1
449	2791281	BUSHING SPACER	1
450	2690283	SOLUTION VALVE LEVER	1
451	2391181	GRIP - VALVE LEVER	1
452	4492791	PIVOT BUSHING	1
453	2790751	BUSHING SPACER	1
454	9122450	17/32 I.D. X 1 1/16 O.D. X .074/.121 THICK SAE FLAT WASHER (1/2)	1
455	9122420	1/2 SPLIT LOCK WASHER	1
456	9122550	1/2-13 X 1 1/2 HEX BOLT	1
457	2391901	CHARGER PLUG - RED - 24VOLTS	2
458	9120090	6-32 X 7/8 PAN HEAD PHILLIPS MACHINE SCREW	4

LIFT LEVER ASSEMBLY

ITEM	PART NO.	DESCRIPTION	QTY.
501	9122260	3/8-16 X 1 HEX BOLT	1
502	9122100	3/8 SPLIT LOCK WASHER	1
503	9121980	7/16 I.D. X 1 O.D. X .075/.080 THICK SAE FLAT WASHER (3/8)	2
504	2691373	BRUSH LIFT HANDLE	1
505	2391951	3/16 X 1 CLEVIS PIN	2
506	2490661	PIVOT STUD	2
507	2691041	FILTER MUFFLER	1
508	9121210	1/4-20 X 5/8 HEX BOLT	6
509	9120880	1/4 SPLIT LOCK WASHER	6
510	9122020	3/8 X 3/8 SOCKET HEAD SHOULDER BOLT	2
511	9120930	9/32 I.D. X 5/8 O.D. X .051/.080 THICK SAE FLAT WASHER (1/4)	6
512	9120312	3/8 X 1 HUMPED COTTER PIN	2
513	9122675	1/2-13 HEX SLOTTED NUT	2
514	9122450	17/32 I.D. X 1 1/16 O.D. X .074/.121 THICK SAE FLAT WASHER (1/2)	2
515	2691643	SQUEEGEE LIFT HANDLE	1
516	2690981	HANDLE GRIP	1
517	2499059	VAC MOTOR ASSEMBLY - INCLUDES:	1
	2395571	3 STAGE VAC MOTOR - 24VOLT	1
518	2490561	GASKET - VAC MOTOR	1
519	5490171	FULLY INSULATED MALE TERMINAL 14-16 GAGE	2
	2397571	CARBON BRUSH	2
520	2694261	LIFT CABLE - SQUEEGEE	1
521	9120930	9/32 I.D. X 5/8 O.D. X .051/.080 THICK SAE FLAT WASHER (1/4)	3
522	9120880	1/4 SPLIT LOCK WASHER	3
523	9121150	1/4-20 X 2 1/4 ROUND HEAD PHILLIPS MACHINE SCREW	3
524	2490691	SPACER - VAC MOUNTING	3
525	2490283	RESISTOR MOUNT PLATE	1
526	9121390	11/32 I.D. X 11/16 O.D. X .051/.080 THICK SAE FLAT WASHER (5/16)	2
527	9121520	5/16 SPLIT LOCK WASHER	2
528	9121640	5/16-18 X 3/4 HEX BOLT	2
529	9121980	7/16 I.D. X 1 O.D. X .075/.080 THICK SAE FLAT WASHER (3/8)	3
530	9122300	3/8-16 X 1 1/4 HEX BOLT	1
531	9122100	3/8 SPLIT LOCK WASHER	1
	2699079	COMPLETE BRUSH LIFT ROD ASSEMBLY - INCLUDES:	1
532	9122010	3/8-24 HEX NUT	1
533	2691801	BRUSH LIFT ROD - MEDIUM	1
534	9122000	3/8-16 HEX NUT	1
535	2691821	SPRING HOUSING - BRUSH LIFT	1
536	9122140	3/8-16 HEX NUT WITH NY-LOK INSERT	1
537	2691841	BRUSH PRESSURE SPRING	1
538	2691831	RETAINER - SPRING HOUSING	1
539	2691811	BRUSH LIFT ROD - SHORT	1
540	9122010	3/8-24 HEX NUT	1
541	4490531	3/8 ROD END	2
542	2690981	LIFT HANDLE GRIP	1
543	2392561	CIRCLE COTTER - #CC-7	2
544	2490293	VAC MOTOR AND LIFT ARM MOUNT	1

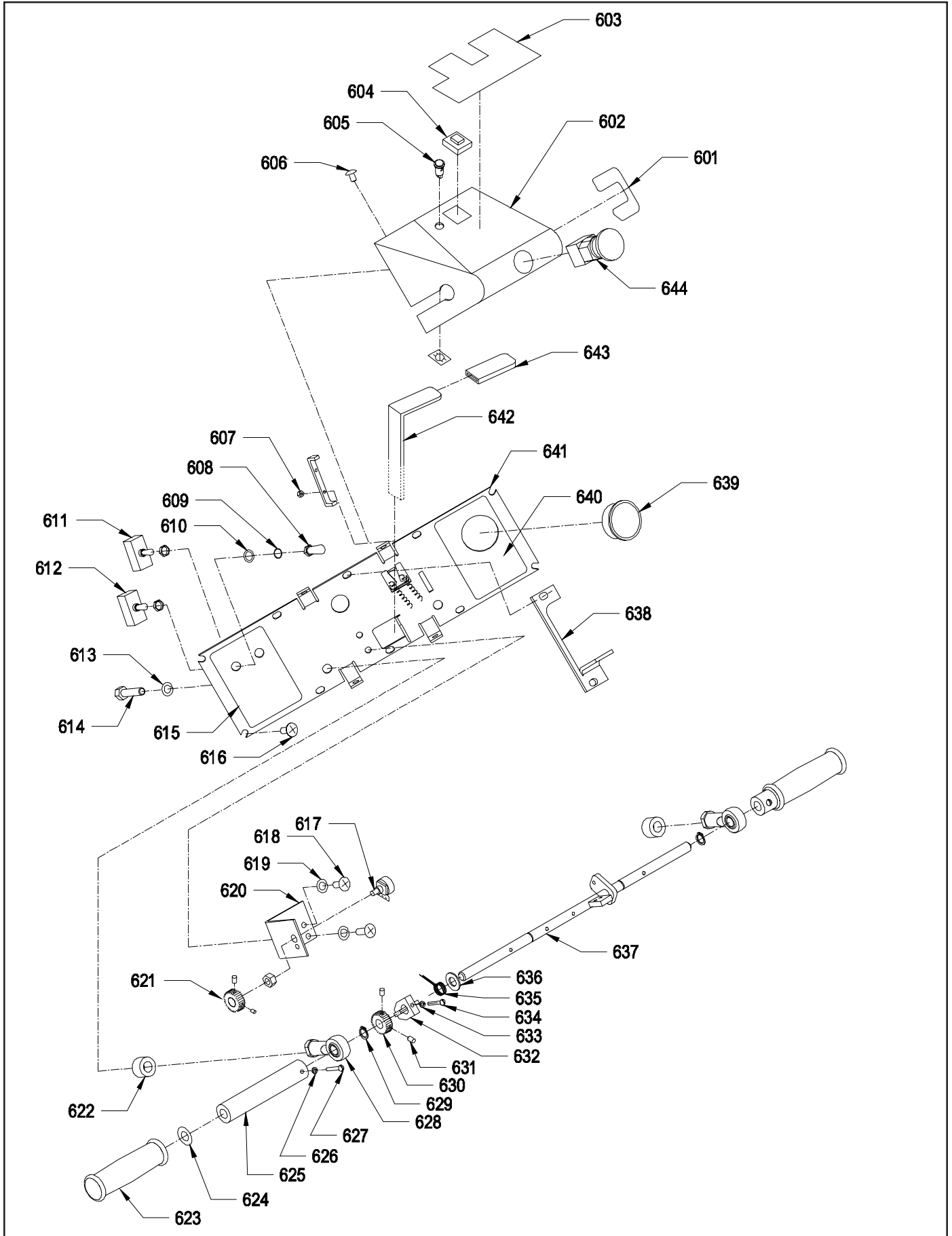
LIFT LEVER ASSEMBLY



OPERATOR CONTROL PANEL

ITEM	PART NO.	DESCRIPTION	QTY.
601	2694351	SILVER MINII DECAL KIT - SOLUTION CONTROL	1
602	2692331	CONTROL PANEL COVER	1
	2692681	CONTROL PANEL COVER - EMERGENCY STOP - OPTIONAL	1
603	2694351	SILVER MINI DECAL KIT - MASTER SWITCH	1
604	2690691	MASTER SWITCH	1
	4890781	PUSH BUTTON SWITCH BOOT	1
605	2490481	LIGHT - INDICATOR - GREEN	1
606	9121090	1/4-20 X 1/2 TRUSS HEAD PHILLIPS MACHINE SCREW	4
607	9120020	6-32 HEX NUT WITH STAR LOCK WASHER	2
608	0693141	RUBBER SWITCH BOOT	2
609	0691851	1/2" INTERNAL STAR LOCK WASHER	2
610	9122465	.516 I.D. X .813 O.D. X .027/.030 THICK FLAT WASHER	2
611	2792041	TOGGLE SWITCH - VACUUM	1
612	4491101	TOGGLE SWITCH - MOTOR	1
613	9122420	1/2 SPLIT LOCK WASHER	2
614	9122710	1/2-20 X 1 3/4 HEX BOLT	2
615	2694361	SILVER DECAL KIT - CONTROL PANEL - LEFT	1
616	9120990	1/4-20 X 3/8 TRUSS HEAD PHILLIPS MACHINE SCREW	10
617	2694131	POTENTIOMETER	1
618	9121090	1/4-20 X 1/2 TRUSS HEAD PHILLIPS MACHINE SCREW	2
619	9120970	1/4 EXTERNAL STAR LOCK WASHER	2
620	2691861	POTENTIOMETER BRACKET	1
621	2691941	DRIVEN GEAR - POTENTIOMETER	1
622	2691891	HANDLE BAR SPACER	2
623	3392901	HANDLE GRIP	2
624	9121400	3/8 I.D. X 7/8 O.D. X .064/.104 THICK WROUGHT WASHER (5/16)	2
625	2691871	HANDLE GRIP BASE	2
626	9120200	8 SPLIT LOCK WASHER	2
627	9120270	8-32 X 7/8 ROUND HEAD PHILLIPS MACHINE SCREW	2
628	2391941	BALL JOINT	2
629	5091701	RETAINING RING	2
630	2691931	DRIVE GEAR - HANDLE	1
631	9120170	8-32 X 3/16 SET SCREW - KNURL POINT - STEEL	4
632	2491241	TORSION SPRING DRIVER	1
633	9120200	#8 SPLIT LOCK WASHER	1
634	9120260	8-32 X 3/4 ROUND HEAD SCREW	1
635	3392661	TORSION SPRING	1
636	9122450	17/32 I.D. X 1 1/16 O.D. X .074/.121 THICK SAE FLAT WASHER (1/2)	1
637	2691911	HANDLE BAR	1
638	2491251	TORSION SPRING BRACKET	1
639	2391391	BATTERY METER	1
640	2694361	SILVER DECAL KIT - BATTERY METER	1
641	2694043	CONTROL PLATE	1
642	2690283	VALVE LEVER	1
643	2391181	GRIP - VALVE LEVER	1
644	7691291	EMERGENCY STOP - OPTIONAL	1
	7691301	EMERGENCY STOP BLOCK - OPTIONAL	1

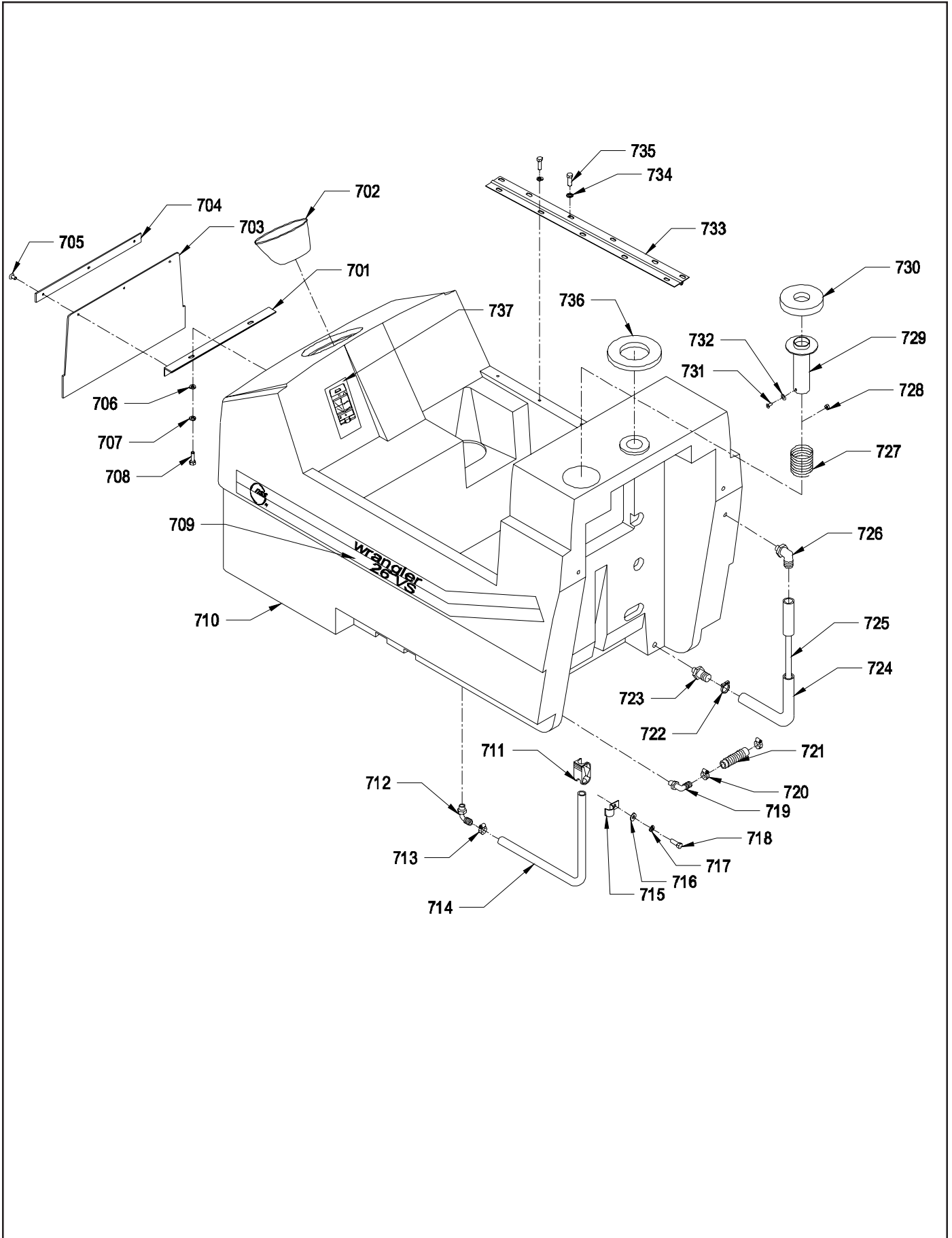
OPERATOR CONTROL PANEL



SOLUTION TANK ASSEMBLY

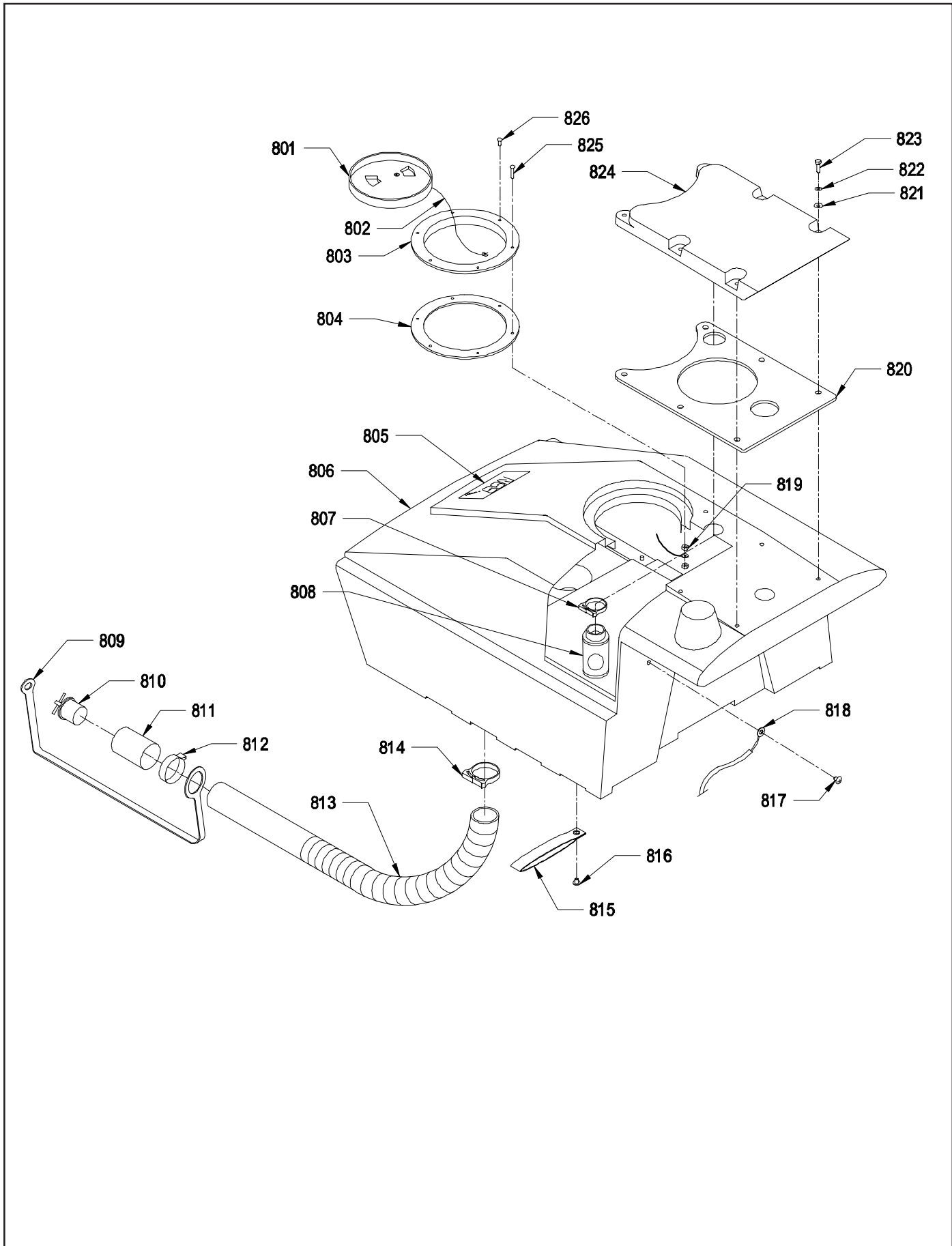
<u>ITEM</u>	<u>PART NO</u>	<u>DESCRIPTION</u>	<u>QTY.</u>
701	2490361	FRONT COVET BRACKET	1
702	2499039	FILTER ASSEMBLY - SOLUTION TANK - INCLUDES:	1
	2490541	FILTER BAG SCREEN	1
	2490551	FILTER BAG FRAME	1
703	2490351	FRONT COVER	1
704	2490341	FRONT COVER RETAINER	1
705	9120550	10-24 X 5/8 FLAT HEAD PHILLIPS MACHINE SCREW	3
706	9120930	9/32 I.D. X 5/8 O.D. X .051/.080 THICK SAE FLAT WASHER (1/4)	2
707	9120880	1/4 SPLIT LOCK WASHER	2
708	9121170	1/4-20 X 1/2 HEX BOLT	2
709	6493061	COLOR DECAL KIT - SIDE LABEL	1
710	2490011	SOLUTION TANK	1
711	3390661	TUBING CONTROL VALVE	1
712	2691961	1/2 HOSE BARB 90 DEGREE X 3/8 MPT PLASTIC	1
713	2392481	HOSE CLAMP - 7/32" TO 5/8" DIAMETER	1
714	2490847	VINYL HOSE - 3/8 I.D. X 43.5" LONG	1
715	2690971	HOSE CLIP	1
716	9120930	9/32 I.D. X 5/8 O.D. X .051/.080 THICK SAE FLAT WASHER (1/4)	1
717	9120880	1/4 SPLIT LOCK WASHER	1
718	9121250	1/4-20 X 3/4 HEX BOLT WITH NYLON PATCH	1
719	2490791	FITTING ELL - 3/8 BARB X 3/8 MNPT	1
720	4892651	HOSE CLAMP - 1/4" TO 13/16" DIAMETER	4
721	2692551	CONVOLUTED TUBING 6.5"	1
722	2392141	HOSE CLAMP - 11/16" TO 1 1/4" DIAMETER	1
723	2691731	SOLUTION TANK DRAIN FITTING	1
724	2490857	VINYL HOSE - 3/4 I.D. X 21" LONG	1
725	2690811	SOLUTION GAUGE	1
726	2391771	90 DEGREE HOSE BARB 3/4 I.D. X 1/2 NPT	1
727	2391581	SPRING - TUBE ADAPTOR	1
728	9120360	10-24 HEX NUT WITH STAR LOCK WASHER	1
739	2690851	TUBE ADAPTOR	1
730	2690861	GASKET - TUBE ADAPTOR	1
731	9120380	10-24 X 3/8 ROUND HEAD PHILLIPS MACHINE SCREW	1
732	9120320	10 SPLIT LOCK WASHER	1
733	2490371	RECOVERY TANK HINGE	1
734	9120880	1/4 SPLIT LOCK WASHER	11
735	9121170	1/4-20 X 1/2 HEX BOLT	11
736	2391601	GASKET - VAC TUBE	1
737	2694371	COLOR DECAL KIT - BATTERY HOOK UP	1

SOLUTION TANK ASSEMBLY



RECOVERY TANK ASSEMBLY

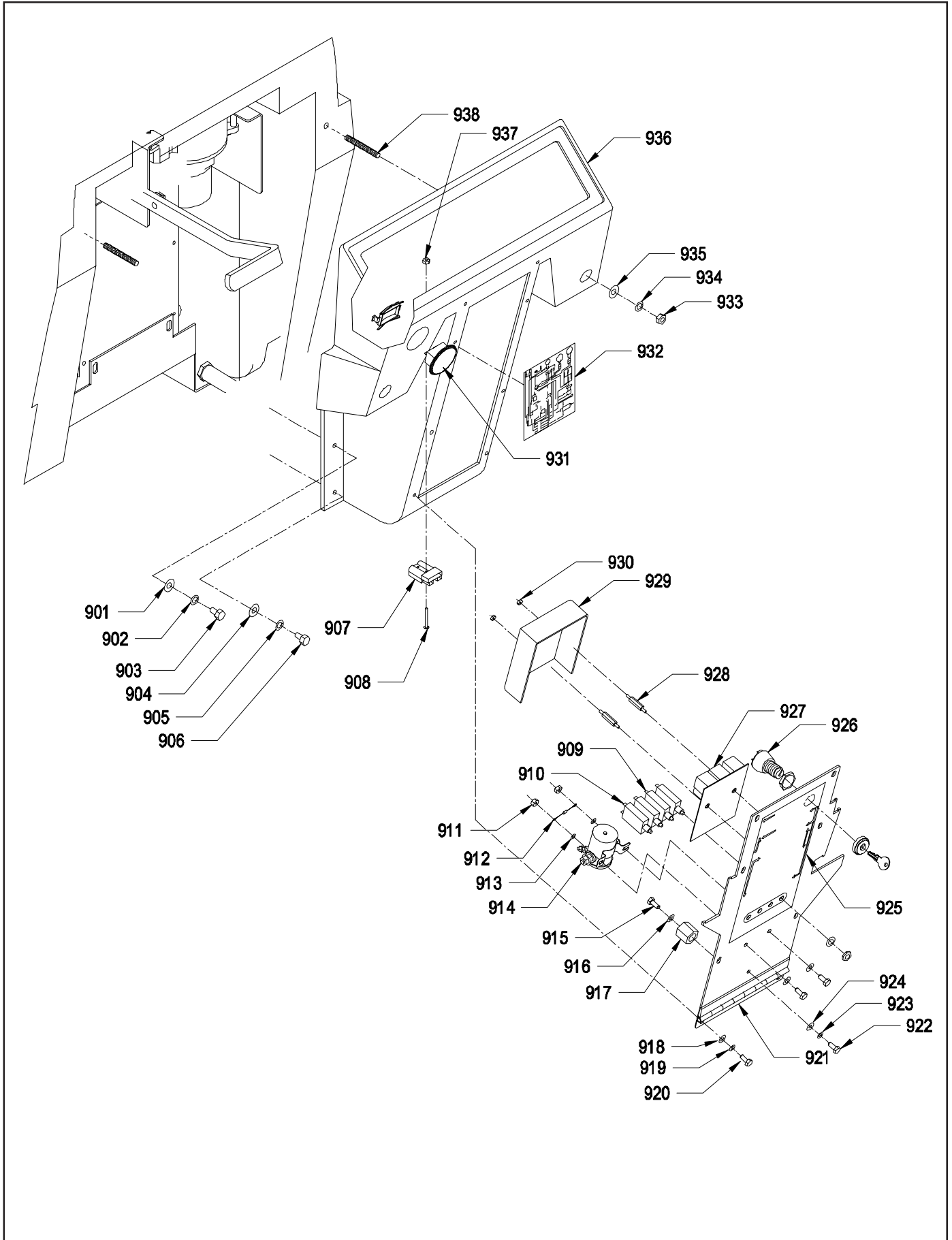
ITEM	PART NO.	DESCRIPTION	QTY.
	2690889	RECOVERY TANK LID AND GASKET ASSEMBLY - INCLUDES:	1
	2690881	RECOVERY TANK LID ASSEMBLY - INCLUDES:	1
801	2690911	CLEAR TANK LID	1
802	2690931	LID RETAINING CHAIN	1
803	2690921	LID MOUNTING RING	1
804	2690891	RING GASKET	1
805	2694371	COLOR DECAL KIT - SOLUTION FILL	1
806	2490021	RECOVERY TANK	1
807	4894081	HOSE CLAMP - 1.593" TO 1.812" DIAMETER	1
808	2391541	FLOAT SCREEN ASSEMBLY	1
	2699149	DRAIN HOSE ASSEMBLY - INCLUDES:	1
809	2791881	PLUG STRAP	1
810	2795621	DRAIN PLUG	1
811	2391661	HOSE TUBE	1
812	2392161	CRIMP-ON HOSE CLAMP	2
813	2691121	DRAIN HOSE - RECOVERY TANK	1
814	4495441	NYLON HOSE CLAMP 11 9/16" TO 2 1/2" DIAMETER	1
815	4896141	STRAP - TANK SUPPORT	1
816	9121090	1/4-20 X 1/2 TRUSS HEAD PHILLIPS MACHINE SCREW	1
817	9120990	1/4-20 X 3/8 TRUSS HEAD PHILLIPS MACHINE SCREW	2
818	2690961	RECOVERY TANK HOLDING STRAP	1
819	9120360	10-24 HEX NUT WITH STAR LOCK WASHER	2
820	2490381	GASKET - TOP VAC BOX	1
821	9120930	9/32 I.D. X 5/8 O.D. X .051/.080 THICK SAE FLAT WASHER (1/4)	6
822	9120880	1/4 SPLIT LOCK WASHER	6
823	9121060	1/4-20 X 1 1/4 HEX BOLT	6
824	2490321	TOP VAC BOX	1
825	9120480	10-24 X 1 3/4 ROUND HEAD PHILLIPS MACHINE SCREW	1
826	9120790	10 X 5/8 PAN HEAD PHILLIPS SHEET METAL SCREW	5



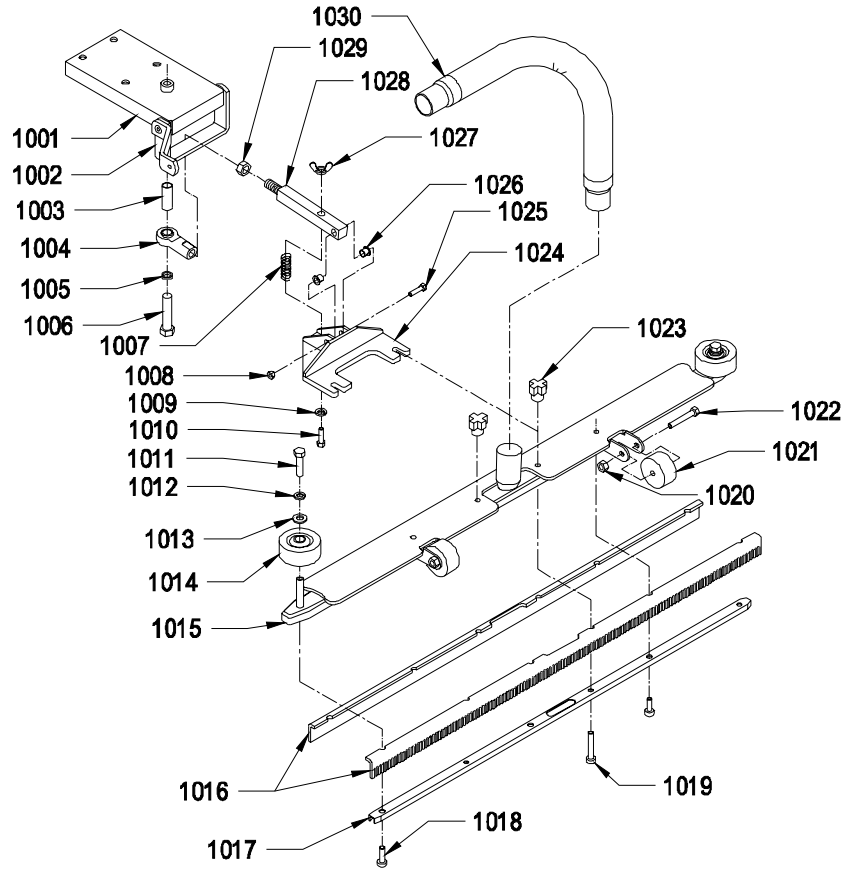
REAR COVER PANEL ASSEMBLY

<u>ITEM</u>	<u>PART NO.</u>	<u>DESCRIPTION</u>	<u>QTY.</u>
901	9120930	9/32 I.D. X 5/8 O.D. X .051/.080 THICK SAE FLAT WASHER (1/4)	5
902	9120880	1/4 SPLIT LOCK WASHER	5
903	9121250	1/4-20 X 3/4 HEX BOLT	2
904	9120930	9/32 I.D. X 5/8 O.D. X .051/.080 THICK SAE FLAT WASHER (1/4)	3
905	9120880	1/4 SPLIT LOCK WASHER	3
906	9121210	1/4-20 X 5/8 HEX BOLT	3
907	2391901	CHARGER PLUG - RED - 24VOLT	1
908	9120100	6-32 X 1 ROUND HEAD PHILLIPS MACHINE SCREW	2
909	2694121	25 AMP CIRCUIT BREAKER	3
910	2490891	15 AMP CIRCUIT BREAKER	1
911	9120900	1/4-20 HEX NUT WITH NY-LOK INSERT	2
912	2792241	SILICON RECTIFIER	1
913	9120930	9/32 I.D. X 5/8 O.D. X .051/.080 THICK SAE FLAT WASHER (1/4)	2
914	2391351	SOLENOID - 24VOLT	1
915	9121210	1/4-20 X 5/8 HEX BOLT	1
916	9120970	1/4 EXTERNAL STAR LOCK WASHER	1
917	4490561	INSULATED STANDOFF	1
918	9120930	9/32 I.D. X 5/8 O.D. X .051/.080 THICK SAE FLAT WASHER (1/4)	8
919	9120880	1/4 SPLIT LOCK WASHER	8
920	9121170	1/4-20 X 1/2 HEX BOLT	8
921	2490773	REAR COVER PANEL	1
922	9121210	1/4-20 X 5/8 HEX BOLT	3
923	9120880	1/4 SPLIT LOCK WASHER	1
924	9120930	9/32 I.D. X 5/8 O.D. X .051/.080 THICK SAE FLAT WASHER (1/4)	3
925	2694371	COLOR DECAL KIT - REAR COVER PANEL	1
926	2795711	KEY SWITCH AND KEY - OPTIONAL	1
	2796131	REPLACEMENT KEY	1
927	2490821	SPEED CONTROL - CURTIS - 24VOLT	1
928	2694031	COVER STANDOFF - CURTIS	2
929	2694021	SPEED CONTROL COVER - CURTIS	1
930	9120190	8-32 HEX NUT WITH STAR LOCK WASHER	2
931	2397361	HOUR METER - INCLUDES THE CLIP	1
932	2694371	COLOR DECAL KIT - WIRING DIAGRAM	1
933	9121990	3/8-16 HEX JAM NUT	2
934	9122100	3/8 SPLIT LOCK WASHER	2
935	9121980	7/16 I.D. X 1 O.D. X .075/.080 THICK SAE FLAT WASHER (3/8)	2
936	2692691	CONTROL PANEL	1
937	9120020	6-32 HEX NUT WITH STAR LOCK WASHER	2
938	9122353	3/8-16 X 3 SET SCREW	2

REAR COVER PANEL ASSEMBLY

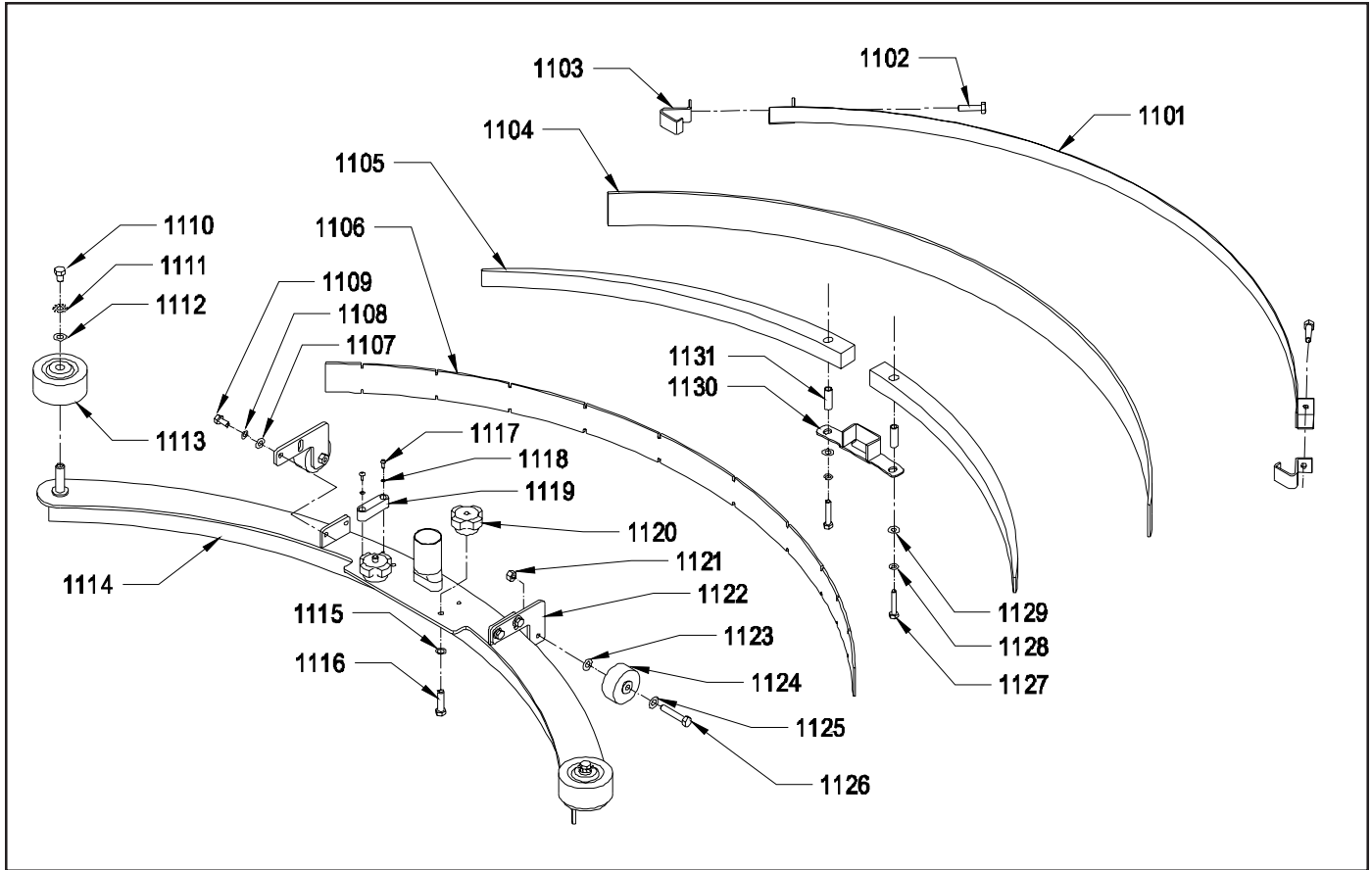


SQUEEGEE ASSEMBLY



<u>ITEM</u>	<u>PART NO.</u>	<u>DESCRIPTION</u>	<u>QTY.</u>
1001	2490741	SQUEEGEE PIVOT BRACKET	1
1002	2490751	SQUEEGEE LIFT	1
1003	2490591	SQUEEGEE PIVOT SPACER	1
1004	2391941	BALL JOINT	1
1005	1090981	SWITCH GUARD SPACER	1
1006	9122660	1/2-13 X 3 HEX BOLT WITH NYLON PATCH	1
1007	3695581	HEIGHT ADJUSTING SPRING	1
1008	9122140	3/8-16 HEX NUT WITH NY-LOK INSERT	1
1009	9121520	5/16 SPLIT LOCK WASHER	1
1010	9121840	5/16-18 X 2 1/4 FULL THREADED HEX BOLT	1
1011	2692539	SQUEEGEE ASSEMBLY 27" - INCLUDES	1
1011	9121560	5/16-18 X 1/2 HEX BOLT	2
1012	9121410	5/16 EXTERNAL STAR LOCK WASHER	2
1013	9121390	11/32 I.D. X 11/16 O.D. X .051/.080 THICK SAE FLAT WASHER (5/16)	2
1014	2790281	3" BUMPER WHEEL	2
1015	2692523	SQUEEGEE OUTER CHANNEL 27"	1
1016	2791061	SQUEEGEE BLADE - 27" SET OF 2	1
1017	2692533	SQUEEGEE INNER CHANNEL 27"	1
1018	9121880	5/16-18 X 3/4 SOCKET HEAD CAP SCREW	4
1019	9121920	5/16-18 X 1 1/2 SOCKET HEAD CAP SCREW	2
1020	9121450	5/16-18 HEX NUT WITH NY-LOK INSERT	2
1021	3096741	ROLLER WHEEL	2
1022	9121640	5/16-18 X 3/4 HEX BOLT	2
1023	2791002	SQUEEGEE KNOB	2
1024	2490761	SQUEEGEE MOUNT BRACKET	1
1025	9122340	3/8-16 X 2 HEX BOLT	1
1026	1391171	3/8 FLANGE NYLINER	2
1027	9121440	5/16-18 WING NUT	1
1028	1390156	SQUEEGEE PIVOT ROD	1
1029	9122670	1/2-20 HEX JAM NUT	1
1030	2690591	SQUEEGEE VAC HOSE WITH CUFFS	1

CURVED SQUEEGEE ASSEMBLY



ITEM	PART NO.	DESCRIPTION	QTY.
	2492499	CURVED SQUEEGEE ASSEMBLY - INCLUDES:	1
1101	2492551	REAR SECURING STRAP	1
1102	9121720	5/16-18 X 1 1/4 FULL THREADED HEX HEAD BOLT	2
1103	2492561	HOOKED END	2
1104	2492531	REAR BLADE	1
1105	2492511	CENTER WEDGE	2
1106	2492521	FRONT BLADE	1
1107	9120930	9/32 I.D. X 5/8 O.D. X .051/.080 THICK SAE FLAT WASHER (1/4)	4
1108	9120880	1/4 SPLIT LOCK WASHER	4
1109	9121210	1/4-20 X 5/8 HEX BOLT	4
1110	9121560	5/16-18 X 1/2 HEX BOLT	2
1111	9121410	5/16 EXTERNAL STAR LOCK WASHER	2
1112	9121390	11/32 I.D. X 11/16 O.D. X .051/.080 THICK SAE FLAT WASHER (5/16)	2
1113	2790281	BUMPER WHEEL	2
1114	2492503	MAIN HOUSING	1
1115	9121520	5/16 SPLIT LOCK WASHER	2
1116	9121720	5/16-18 X 1 1/4 FULL THREADED HEX HEAD BOLT	2
1117	9120070	6-32 X 3/8 ROUND HEAD PHILLIPS MACHINE SCREW	2
1118	9120030	6 SPLIT LOCK WASHER	2
1119	2492581	SQUEEGEE LEVEL	1
1120	2791002	SQUEEGEE KNOB	2
1121	9121450	5/16-18 HEX NUT WITH NY-LOK INSERT	2
1122	2492571	DOLLY WHEEL MOUNTING BRACKET	2
1123	9121390	11/32 I.D. X 11/16 O.D. X .051/.080 THICK SAE FLAT WASHER (5/16)	2
1124	3096741	ROLLER WHEEL	2
1125	9121390	11/32 I.D. X 11/16 O.D. X .051/.080 THICK SAE FLAT WASHER (5/16)	2
1126	9121760	5/16-18 X 1 3/4 HEX BOLT	2
1127	9121280	1/4-20 X 1 1/2 HEX BOLT	2
1128	9120880	1/4 SPLIT LOCK WASHER	2
1129	9120930	9/32 I.D. X 5/8 O.D. X .051/.080 THICK SAE FLAT WASHER (1/4)	2
1130	2492541	CENTER HOLD DOWN	1
1131	2492591	CENTER HOLD DOWN SPACER	2

ACCESSORIES



- 2392129 WET PICKUP KIT - INCLUDES:
 2291211 5" CONNECTOR - ALUMINUM
 2391231 VACUUM HOSE - 7 FOOT
 5797011 TOOL - SQUEEGEE WITH WHEELS - 15"
 5790331 STEEL WAND - 2 PIECE
 2391241 HOSE STRAP
 9997550 VELCRO HOOK
 9997560 VELCRO LOOP



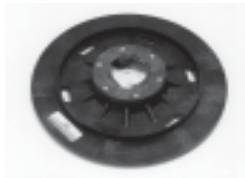
- 2392179 BRUSH / SQUEEGEE KIT - INCLUDES:
 2291211 5" CONNECTOR - ALUMINUM
 2290209 STEEL WAND - 1 PIECE
 2391231 VACUUM HOSE - 7 FOOT
 3097849 14" BRUSH / SQUEEGEE TOOL



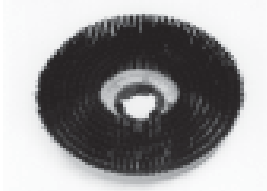
- 2890101 CLUTCH PLATE - PLASTIC 5" DIAMETER 6 HOLES - CREAM



- 5990731 SPRING CLIP PAD HOLDER SET - INCLUDES:
 9120790 10 X 5/8 PAN HEAD SHEET METAL SCREW 3



- 2694491 13" POLY BACK TUFT PAD DRIVER



- 2694481 13" POLY BACK SCRUB GRIT BRUSH
 2694511 13" BRUSH - NYLON
 2694521 13" BRUSH - NYLOGRIT



- 3390361 6 VOLT BATTERY - 225 AMP/HR - WET
 3390951 6 VOLT BATTERY - 225 AMP/HR - DRY



- 2396081 CHARGER - 24 VOLT FOR 120 VOLT BATTERY
 2391991 CHARGER - 24 VOLT FOR 240 VOLT BATTERY

- 9091001 HARDWARE CATALOG
 9091002 HOSES, TOOLS AND ACCESSORIES CATALOG
 9092607 OPERATORS MANUAL

NOTES



NSS ® Enterprises, Inc.

3115 Frenchmens Road, Toledo, Ohio 43607
PHONE (419) 531-2121 FAX (419) 531-3761

NSS ® Enterprises, Inc. European Distribution Centre
Unit II, Pinfold Trading Estate * 55 Nottingham Road
STAPLEFORD, NOTTINGHAM NG9 8AD ENGLAND U.K.
PHONE: (44) 0115 939 1568 * FAX: (44) 0115 949 0615