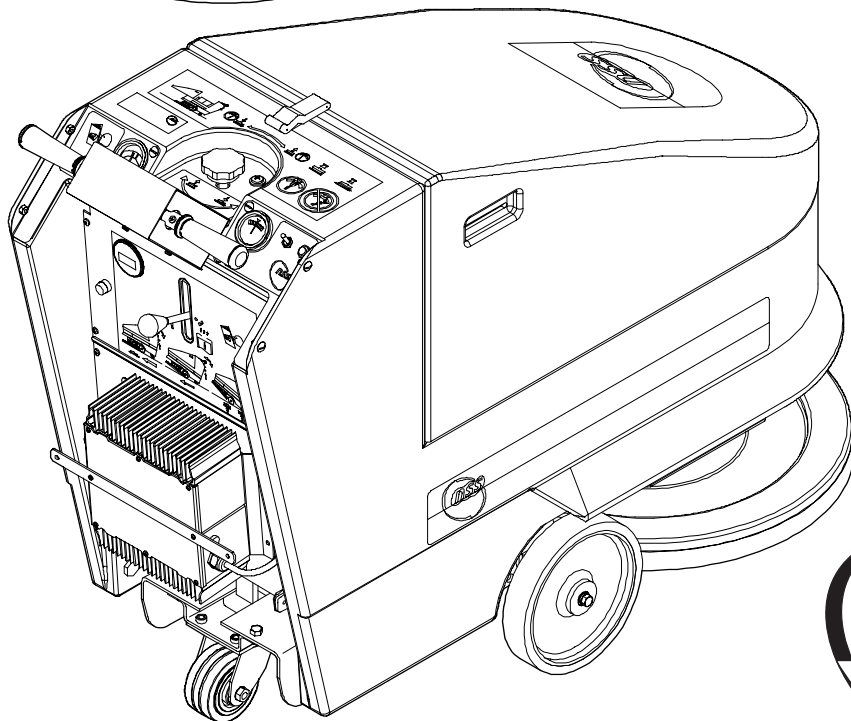
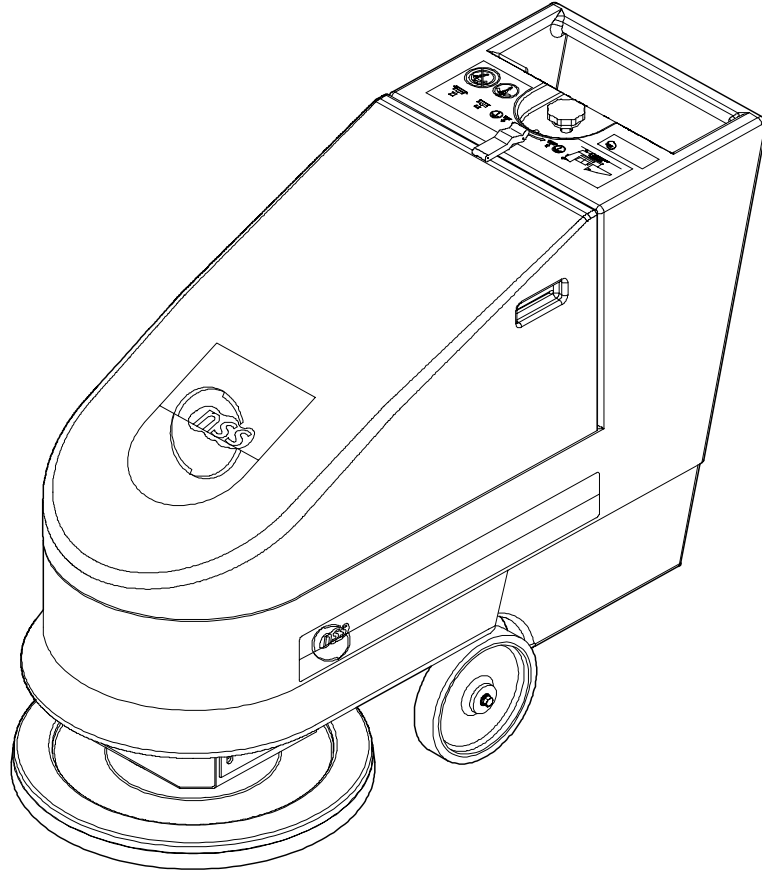


PARTS LIST

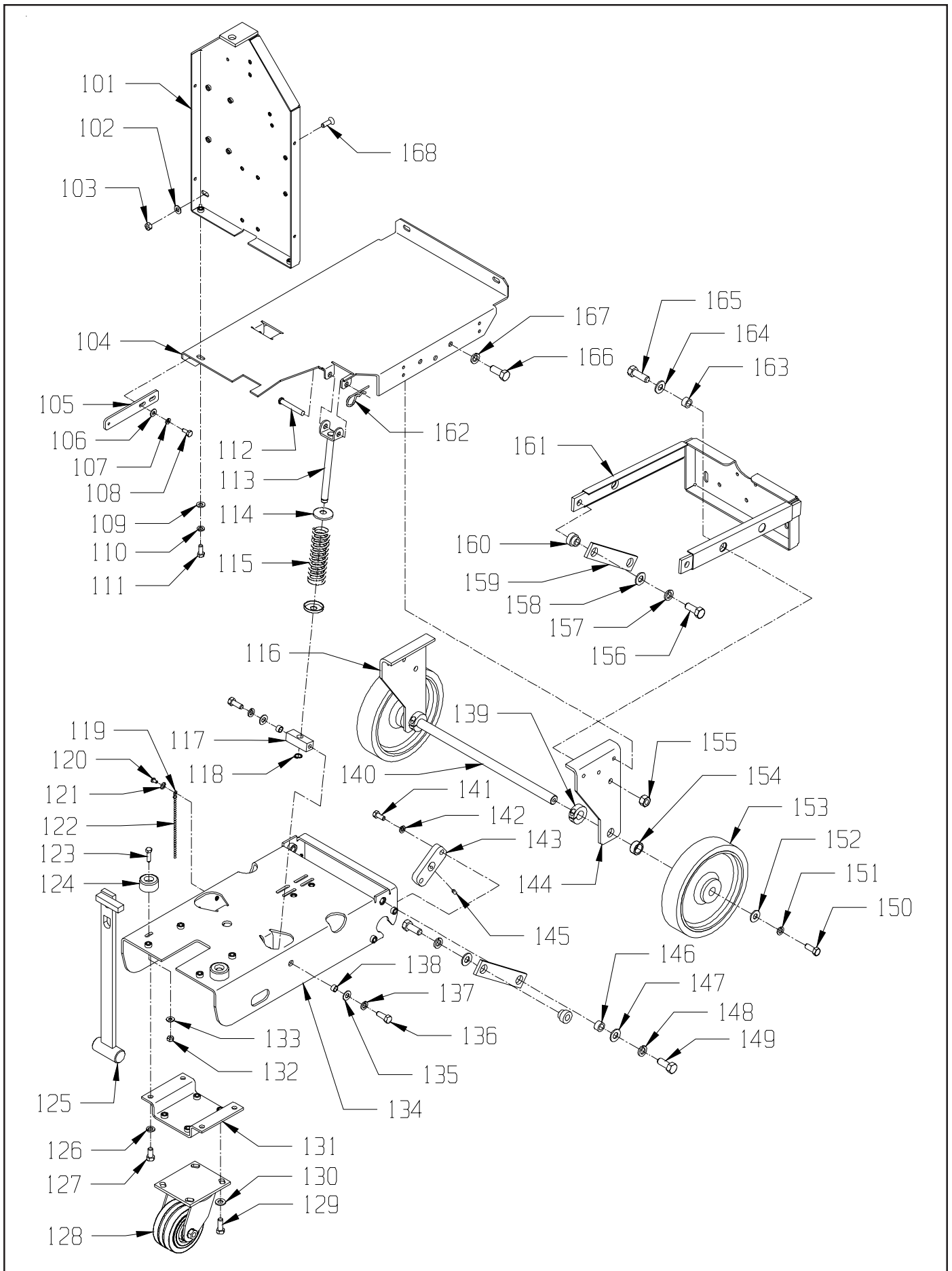
CHARGER 2020 AB

CHARGER 2020 DB



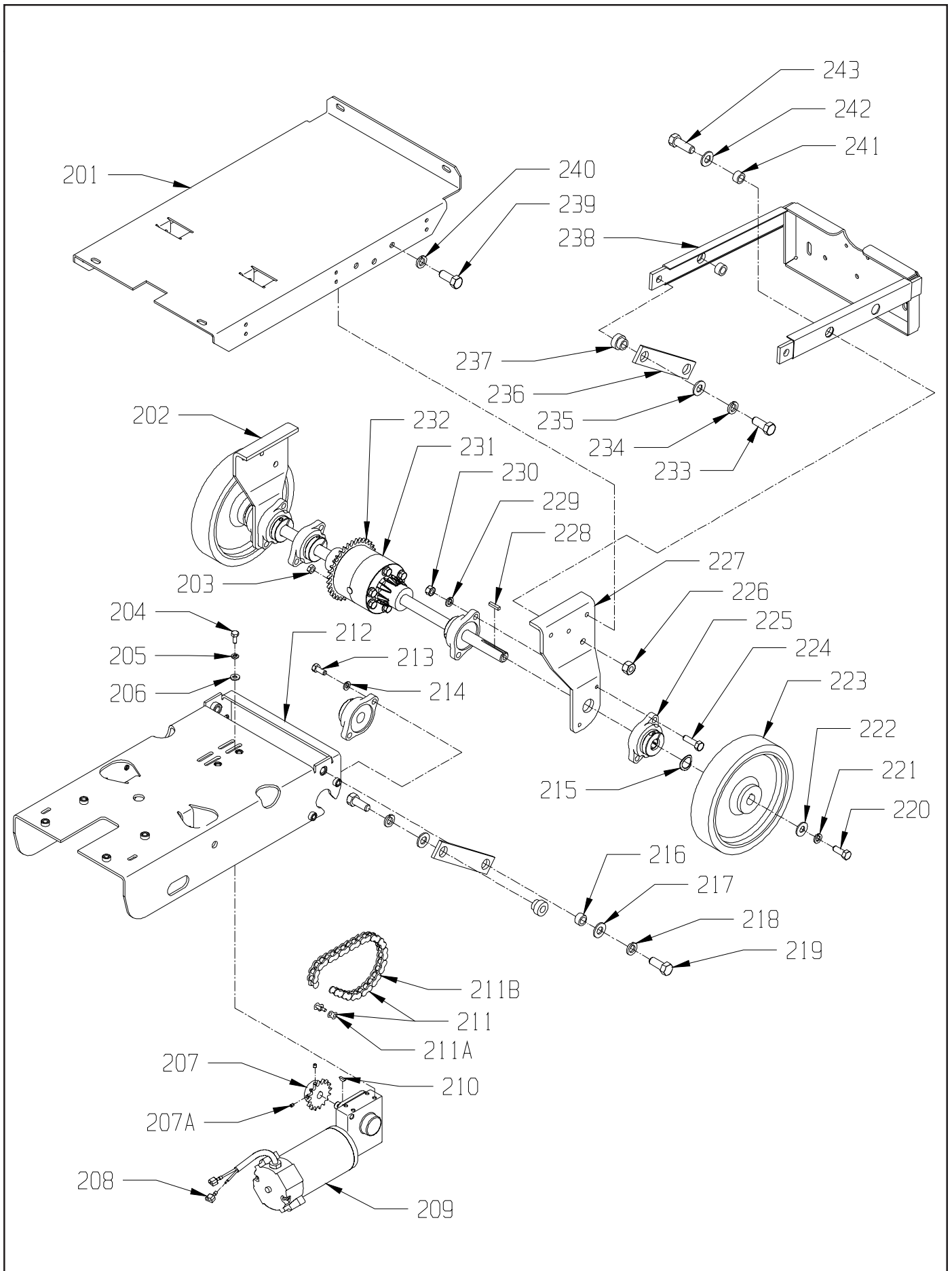
ITEM	PART NO.	DESCRIPTION	QTY.
101	6495511	CONTROL FRAME WELDMENT	1
102	9121390	11/32 I.D. X 11/16 O.D. X .051/.080 THICK SAE FLAT WASHER (5/16)	2
103	9121450	5/16-18 HEX NUT WITH NY-LOK INSERT	2
104	6495071	BASE PLATE	1
105	6495831	HINGE PLATE	2
106	9120930	9/32 I.D. X 5/8 O.D. X .051/.080 THICK SAE FLAT WASHER (1/4)	4
107	9120880	1/4 SPLIT LOCK WASHER	4
108	9121210	1/4-20 X 5/8 HEX BOLT	4
109	9121390	11/32 I.D. X 11/16 O.D. X .051/.080 THICK SAE FLAT WASHER (5/16)	2
110	9121520	5/16 SPLIT LOCK WASHER	2
111	9121640	5/16-18 X 3/4 HEX BOLT	2
112	7690311	3/8 DIAMETER X 2.5 CLEVIS PIN	1
113	6495881	SPRING GUIDE	2
114	3190191	STRING GUARD	4
115	6495871	COMPRESION SPRING	2
116	6495241	BASE LEG CHARGER - LEFT	1
117	6495891	PIVOT	2
118	5091701	RETAINING RING	2
119	6491871	END COUPLING ROUND BEAD CHAIN	1
120	9120380	10-24 X 3/8 ROUND HEAD PHILLIPS MACHINE SCREW	1
121	9120330	10 EXTERNAL STAR LOCK WASHER	1
122	6491860	ROUND BEAD CHAIN (CUT LENGTH 6")	.5'
123	9121270	1/4-20 X 1 HEX BOLT	2
124	4894461	RUBBER STOP	2
125	6490701	CATCH ASSEMBLY	1
126	9122100	3/8 SPLIT LOCK WASHER	4
127	9122220	3/8-16 X 3/4 HEX BOLT	4
128	6492061	RED 4 INCH CASTER - INCLUDES:	1
	4490391	CASTER WHEEL WITH BEARING	1
129	9122260	3/8-16 X 1 HEX BOLT	4
130	9122100	3/8 SPLIT LOCK WASHER	4
131	6495141	CASTER MOUNT	1
132	9120900	1/4-20 HEX NUT WITH NY-LOK INSERT	2
133	9120930	9/32 I.D. X 5/8 O.D. X .051/.080 THICK SAE FLAT WASHER (1/4)	2
134	6495151	FRAME	1
135	9122180	13/32 I.D. X 13/16 O.D. X .051/.080 THICK WROUGHT WASHER (3/8)	4
136	9122260	3/8-16 X 1 HEX BOLT	4
137	9122100	3/8 SPLIT LOCK WASHER	4
138	2691181	PIVOT SPACER, STABILIZER BAR	4
139	6490201	SUPPORT-LEG, SHAFT COLLAR	2
140	4492546	AXLE, BASE PLATED	1
141	9122260	3/8-16 X 1 HEX BOLT	4
142	9122100	3/8 SPLIT LOCK WASHER	4
143	6495271	AXLE BLOCK	2
144	6495231	BASE LEG CHARGER - RIGHT	1
145	9120637	1/4-20 X 1/4 SET SCREW - CUP POINT	2
146	4492791	BUSHING, PIVOT	2
147	9122450	17/32 I.D. X 1 1/16 O.D. X .074/.121 THICK SAE FLAT WASHER (1/2)	2
148	9122420	1/2 SPLIT LOCK WASHER	2
149	9122540	1/2-13 X 1 1/4 HEX BOLT	2
150	9122260	3/8-16 X 1 HEX BOLT	2
151	9122100	3/8 SPLIT LOCK WASHER	2
152	9122180	13/32 I.D. X 13/16 O.D. X .051/.080 THICK WROUGHT WASHER (3/8)	2
153	4490511	WHEEL - 8"	2
154	4492921	WHEEL SPACER	2
155	9122495	1/2-13 HEX NUT WITH NY-LOK INSERT - THIN	2
156	9122540	1/2-13 X 1 1/4 HEX BOLT	2
157	9122420	1/2 SPLIT LOCK WASHER	2
158	9122450	17/32 I.D. X 1 1/16 O.D. X .074/.121 THICK SAE FLAT WASHER (1/2)	2
159	6490691	LIFT ARM	2
160	4495141	LIFT ARM SPACER	2
161	6495501	PIVOT WELDMENT	1
162	7690491	#6 HAIR COTTER PIN	2
163	4492791	BUSHING, PIVOT	2
164	9122450	17/32 I.D. X 1 1/16 O.D. X .074/.121 THICK SAE FLAT WASHER (1/2)	2
165	9122540	1/2-13 X 1 1/4 HEX BOLT	2
166	9122220	3/8-16 X 3/4 HEX BOLT	6
167	9122100	3/8 SPLIT LOCK WASHER	6
168	9121470	5/16-18 X 1 FLAT HEAD PHILLIPS MACHINE SCREW	4

BASE - AB



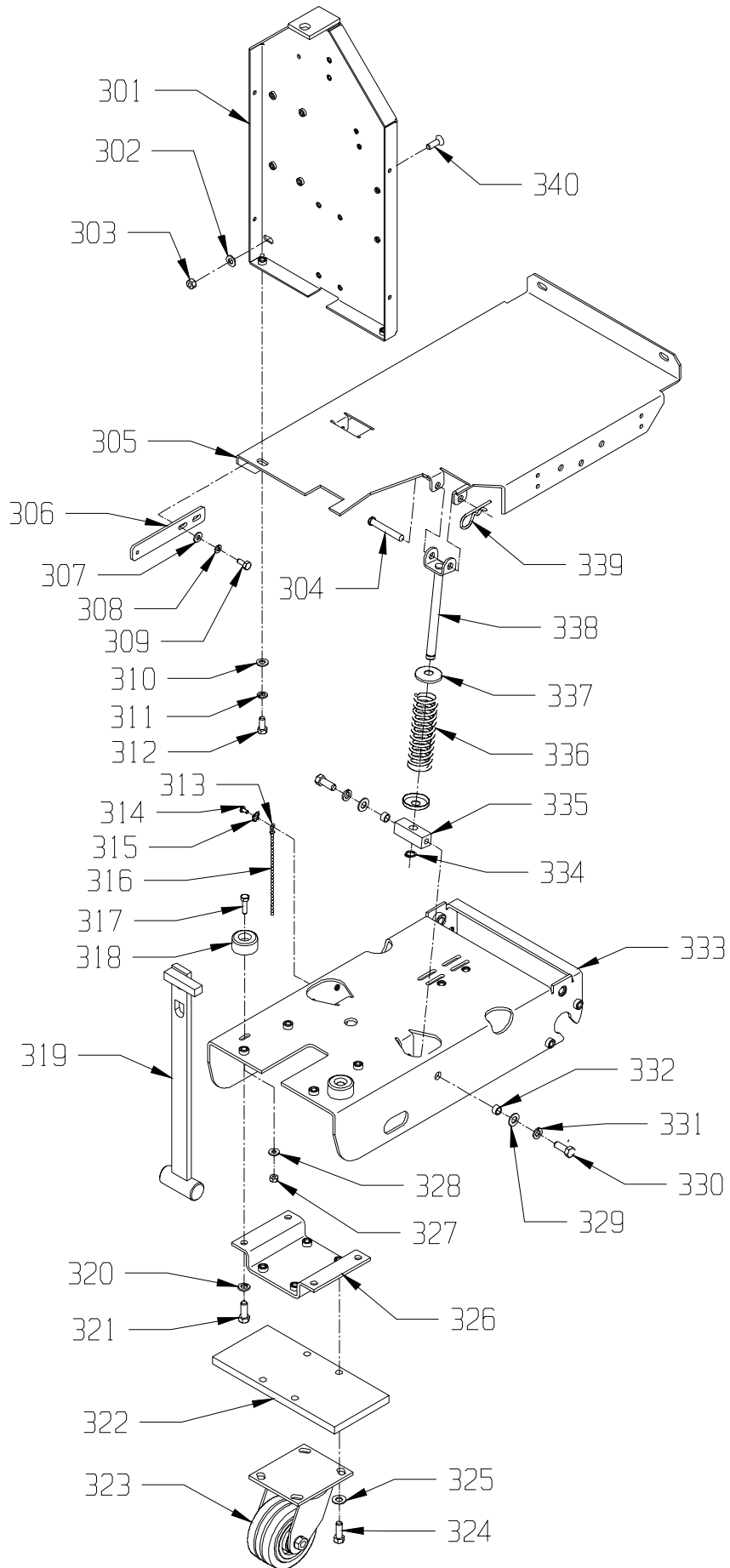
<u>ITEM</u>	<u>PART NO.</u>	<u>DESCRIPTION</u>	<u>QTY.</u>
201	6495071	BASE PLATE	1
202	6495261	BASE LEG CHARGER WHEEL DRIVE - LEFT	1
203	9121450	5/16-18 HEX NUT WITH NY-LOK INSERT	4
204	9121210	1/4-20 X 5/8 HEX BOLT	4
205	9120880	1/4 SPLIT LOCK WASHER	4
206	9120930	9/32 I.D. X 5/8 O.D. X .051/.080 THICK SAE FLAT WASHER (1/4)	4
207	6495531	SPROCKET 40BS12H - INCLUDES:	1
207A	9120637	10-24 X 1/4 SET SCREW - CUP POINT	2
208	5490161	FULLY INSULATED FEMALE TERMINAL 14-16 GAGE	2
209	6495291	DRIVE MOTOR 36 VOLT	1
210	9120013	1/8 SQUARE X 1/2 LONG WOODRUFF KEY - STEEL	1
211	6495569	#40 ROLLER CHAIN 33 LINKS + MASTER - INCLUDES:	1
211A	2795211	LINK - MASTER #40 CHAIN	1
211B	6495541	#40 ROLLER CHAIN 33 LINKS NO MASTER	1
212	6495151	FRAME	1
213	9122260	3/8-16 X 1 HEX BOLT	4
214	9122100	3/8 SPLIT LOCK WASHER	4
215***	9123110	13/16 I.D. X 1 1/8 O.D. X .13 THICK WAVE SPRING WASHER (3/4)	2
216	4492791	BUSHING, PIVOT	2
217	9122450	17/32 I.D. X 1 1/16 O.D. X .074/.121 THICK SAE FLAT WASHER (1/2)	2
218	9122420	1/2 SPLIT LOCK WASHER	2
219	9122540	1/2-13 X 1 1/4 HEX BOLT	2
220	9121640	5/16-18 X 3/4 HEX BOLT	2
221	9121520	5/16 SPLIT LOCK WASHER	2
222	9121985	13/32 I.D. X 1 O.D. X .12 THICK FLAT WASHER (11 GAGE)	2
223	6495391	DRIVE WHEEL 9 X 1 5/8	2
224	9122075	3/8-16 X 1 1/2 HEX BOLT	4
225	6495061	PILLOW BLOCK BEARING WITH GRIP-IT BEARING RING	6
226	9122495	1/2-13 HEX NUT WITH NY-LOK INSERT - THIN	2
227	6495251	BASE LEG CHARGER WHEEL DRIVE - RIGHT	1
228	9120825	3/16 SQUARE X 7/8 LONG KEY - STEEL	2
229	9122100	3/8 SPLIT LOCK WASHER	4
230	9121990	3/8-16 HEX JAM NUT	4
231	6495101	DIFFERENTIAL - SHORT	1
232	6495521	SPROCKET 40A26	1
233	9122540	1/2-13 X 1 1/4 HEX BOLT	2
234	9122420	1/2 SPLIT LOCK WASHER	2
235	9122450	17/32 I.D. X 1 1/16 O.D. X .074/.121 THICK SAE FLAT WASHER (1/2)	2
236	6490691	LIFT ARM	2
237	4495141	LIFT ARM SPACER	2
238	6495501	PIVOT WELDMENT	1
239	9122220	3/8-16 X 3/4 HEX BOLT	6
240	9122100	3/8 SPLIT LOCK WASHER	6
241	4492791	BUSHING, PIVOT	2
242	9122450	17/32 I.D. X 1 1/16 O.D. X .074/.121 THICK SAE FLAT WASHER (1/2)	2
243	9122540	1/2-13 X 1 1/4 HEX BOLT	2

DRIVE - DB



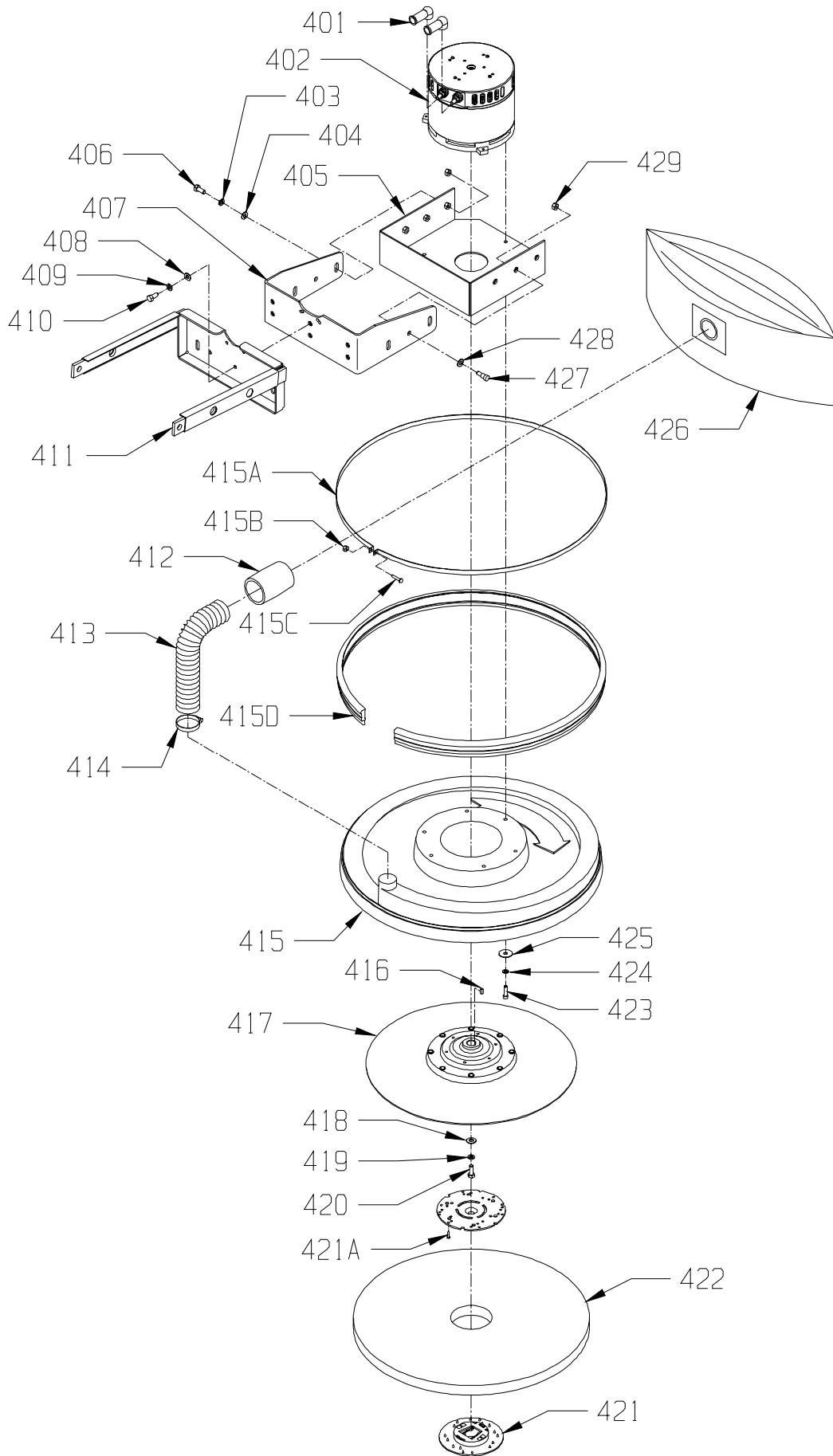
<u>ITEM</u>	<u>PART NO.</u>	<u>DESCRIPTION</u>	<u>QTY.</u>
301	6495511	CONTROL FRAME WELDMENT	1
302	9121390	11/32 I.D. X 11/16 O.D. X .051/.080 THICK SAE FLAT WASHER (5/16)	2
303	9121450	5/16-18 HEX NUT WITH NY-LOK INSERT	2
304	7690311	3/8 DIAMETER X 2.5 CLEVIS PIN	2
305	6495071	BASE PLATE	1
306	6495831	HINGE PLATE	2
307	9120930	9/32 I.D. X 5/8 O.D. X .051/.080 THICK SAE FLAT WASHER (1/4)	4
308	9120880	1/4 SPLIT LOCK WASHER	4
309	9121210	1/4-20 X 5/8 HEX BOLT	4
310	9121390	11/32 I.D. X 11/16 O.D. X .051/.080 THICK SAE FLAT WASHER (5/16)	2
311	9121520	5/16 SPLIT LOCK WASHER	2
312	9121640	5/16-18 X 3/4 HEX BOLT	2
313	6491871	END COUPLING ROUND BEAD CHAIN	1
314	9120380	10-24 X 3/8 ROUND HEAD PHILLIPS MACHINE SCREW	1
315	9120330	10 EXTERNAL STAR LOCK WASHER	1
316	6491860	ROUND BEAD CHAIN (CUT LENGTH 6")	.5'
317	9121270	1/4-20 X 1 HEX BOLT	2
318	4894461	RUBBER STOP	2
319	6490701	CATCH ASSEMBLY	1
320	9122100	3/8 SPLIT LOCK WASHER	4
321	9122220	3/8-16 X 3/4 HEX BOLT	4
322	6495461	CASTER BLOCK	1
323	6492061	RED 4 INCH CASTER - INCLUDES:	1
	4490391	CASTER WHEEL WITH BEARING	1
324	9122075	3/8-16 X 1 1/2 HEX BOLT	4
325	9122100	3/8 SPLIT LOCK WASHER	4
326	6495141	CASTER MOUNT	1
327	9120900	1/4-20 HEX NUT WITH NY-LOK INSERT	2
328	9120930	9/32 I.D. X 5/8 O.D. X .051/.080 THICK SAE FLAT WASHER (1/4)	2
329	9122180	13/32 I.D. X 13/16 O.D. X .051/.080 THICK (3/8)	4
330	9122260	3/8-16 X 1 HEX BOLT	4
331	9122100	3/8 SPLIT LOCK WASHER	4
332	2691181	PIVOT SPACER, STABILIZER BAR	4
333	6495151	FRAME	1
334	5091701	RETAINING RING	2
335	6495891	PIVOT	2
336	6495871	COMPRESION SPRING	2
337	3190191	STRING GUARD	4
338	6495881	SPRING GUIDE	2
339	7690491	#6 HAIR COTTER PIN	2
340	9121470	5/16-18 X 1 FLAT HEAD PHILLIPS MACHINE SCREW	2

BASE - DB



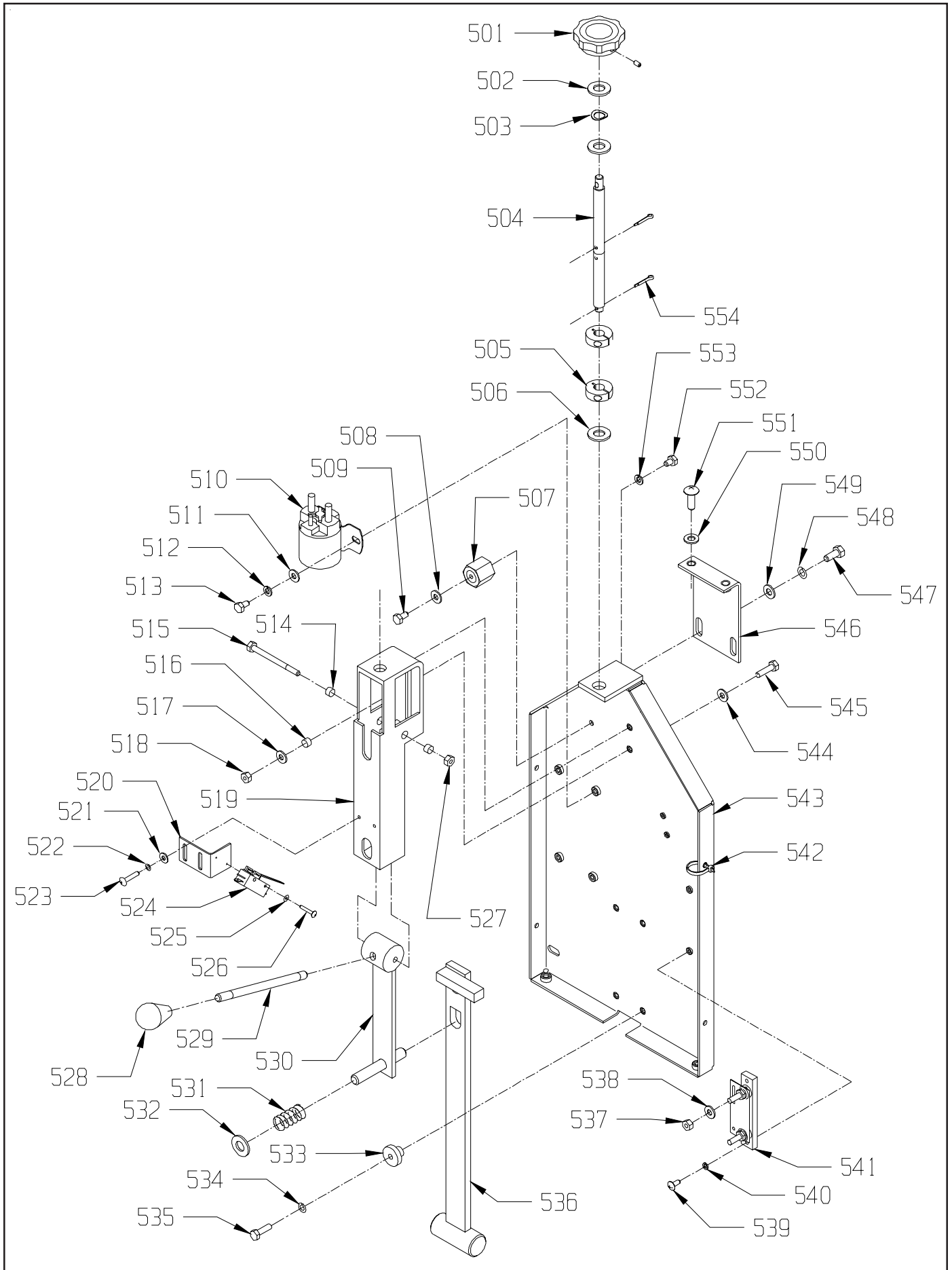
ITEM	PART NO.	DESCRIPTION	QTY.
401	6492051	STUD TERMINAL BOOT - RUBBER	2
402	6493511	MOTOR 2000 RPM, 36 VOLT - IMPERIAL	1
403	9121520	5/16 SPLIT LOCK WASHER – AB MODEL ONLY	6
404	9121400	3/8 I.D. X 7/8 O.D. X .064/.104 THICK WROUGHT WASHER - AB MODEL ONLY	4
405	4492663	MOTOR MOUNT	1
406	9121680	5/16-18 X 1 HEX BOLT - AB MODEL ONLY	4
407	6495601	MOTOR MOUNT MOUNTING FORK - CHARGER 2025	1
408	9121390	11/32 I.D. X 11/16 O.D. X .051/.080 THICK SAE FLAT WASHER (5/16)	3
409	9121520	5/16 SPLIT LOCK WASHER	3
410	9121640	5/16-18 X 3/4 HEX BOLT	3
411	6495501	PIVOT WELDMENT	1
412	4495531	END CUFF - 2"	1
413	3392561	VAC EXHAUST HOSE	1
414	4495441	HOSE CLAMP, 1 9/16" - 2 1/2" DIAMETER	1
415	6490729	CW-FLEXIWALL SHIELD ASSEMBLY - INCLUDES:	1
415A	6490732	BUMPER STRAP	1
415B	9120350	10-24 HEX NUT WITH NY-LOK INSERT	1
415C	9120450	10-24 X 1 ROUND HEAD PHILLIPS MACHINE SCREW	1
415D	6490191	BUMPER / BRUSH	1
416	9120815	3/16 SQUARE X 1/2 LONG KEY - STEEL	1
417	6492568	PAD DRIVER - 20" ASSEMBLED & BALANCED	1
418	9121985	13/32 I.D. X 1 O.D. X .12 THICK FLAT WASHER (11 GAGE)	1
419	9121520	5/16 SPLIT LOCK WASHER	1
420	9121490	5/16-24 X 7/8 HEX BOLT	1
421	5990731	SPRING CLIP PAD HOLDER SET - INCLUDES:	1
421A	9120810	10 X 1/2 PAN HEAD PHILLIPS SHEET METAL SCREW	3
422	6492001	20" LUST LITE BURNISH PAD - CASE (5)	1
423	9120980	1/4-20 X 1 SOCKET HEAD CAP SCREW	3
424	9120880	1/4 SPLIT LOCK WASHER	3
425	9120950	1/4 X 1 1/4 FENDER WASHER	3
426	5796101	PAPER BAG - 5 PACK	1
	6592801	VAC TRAC COLLECTION BAG - OPTIONAL	1
427	9122020	3/8 DIAMETER X 3/8 LONG SOCKET HEAD SHOULDER BOLT (5/16-18) (QTY. 6 ON DB MODEL)	2
428	9121400	3/8 I.D. X 7/8 O.D. X .064/.104 THICK WROUGHT WASHER - AB MODEL ONLY	2
429	9121430	5/16-18 THIN HEX NUT WITH NY-LOK INSERT (QTY. 6 ON DB MODEL)	2

SHIELD AND PAD DRIVER



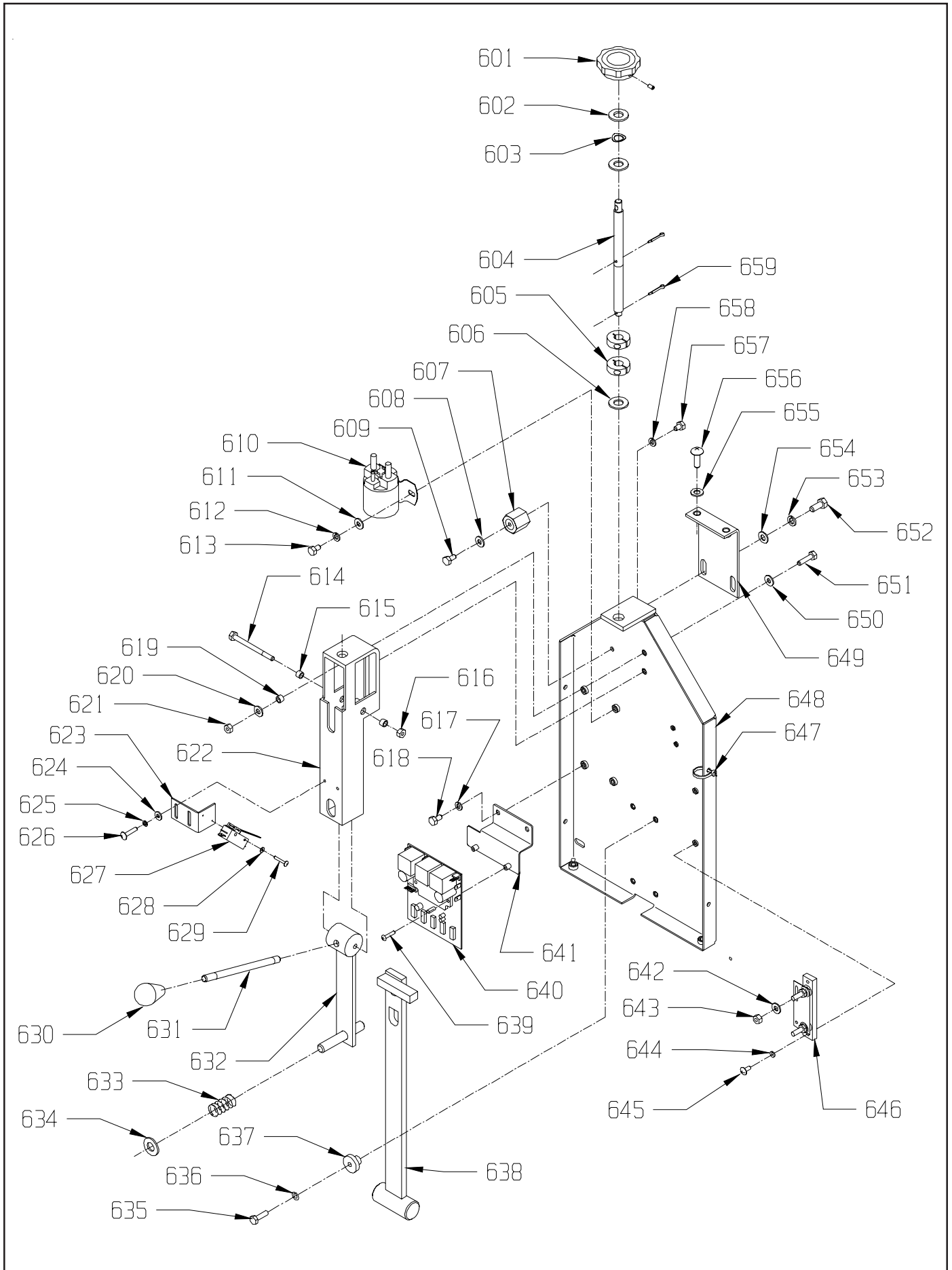
ITEM	PART NO.	DESCRIPTION	QTY.
501	4490521	LOAD ADJUST KNOB (INCLUDES SET SCREW)	1
502	9122450	17/32 I.D. X 1 1/16 O.D. X .074/.121 THICK SAE FLAT WASHER (1/2)	2
503	9122705	1/2 I.D. X 3/4 O.D. X .01 THICK 1 WAVE SPRING WASHER (1/2)	1
504	6490611	ADJUSTMENT ROD	1
505	6490621	ADJUSTMENT ROD COLLAR	2
506	9122180	13/32 I.D. X 13/16 O.D. X .051/.080 THICK SAE FLAT WASHER (3/8)	1
507	4490561	INSULATED STANDOFF	1
508	9120970	1/4 EXTERNAL STAR LOCK WASHER	1
509	9121210	1/4-20 X 5/8 HEX BOLT	1
510	4491011	SOLENOID, 36 VOLT	1
511	9120930	9/32 I.D. X 5/8 O.D. X .051/.080 THICK SAE FLAT WASHER (1/4)	2
512	9120880	1/4 SPLIT LOCK WASHER	2
513	9121170	1/4-20 X 1/2 HEX BOLT	2
514	2791281	BUSHING SPACER	2
515	9121287	1/4-20 X 2 1/2 HEX BOLT - STEEL	1
516	2791281	BUSHING SPACER	2
517	9120930	9/32 I.D. X 5/8 O.D. X .051/.080 THICK SAE FLAT WASHER (1/4)	2
518	9120900	1/4-20 HEX NUT WITH NY-LOK INSERT	2
519	6490601	ADJUSTMENT BRACKET	1
520	4495326	SWITCH BRACKET	1
521	9120370	7/32 I.D. X 1/2 O.D. X .032/.065 THICK SAE FLAT WASHER (10)	2
522	9120320	10 SPLIT LOCK WASHER	2
523	9120460	10-24 X 1 1/4 ROUND HEAD PHILLIPS MACHINE SCREW	2
524	4491071	SNAP SWITCH	1
525	9120130	6 EXTERNAL STAR LOCK WASHER	2
526	9120090	6-32 X 7/8 PAN HEAD PHILLIPS MACHINE SCREW	2
527	9120900	1/4-20 HEX NUT WITH NY-LOK INSERT	2
528	4490601	KNOB, RAISE / LOWER ROD	1
529	6490101	LATCH HANDLE	1
530	6490091	LATCH ASSEMBLY	1
531	4490631	COMPRESSION SPRING	1
532	9122450	17/32 I.D. X 1 1/16 O.D. X .074/.121 THICK SAE FLAT WASHER (1/2)	2
533	4495351	SPACER GUIDE	4
534	9120880	1/4 SPLIT LOCK WASHER	4
535	9121270	1/4-20 X 1 HEX BOLT	4
536	6490701	CATCH ASSEMBLY	1
537	9120920	1/4-20 HEX NUT	2
538	9120970	1/4 EXTERNAL STAR LOCK WASHER	2
539	9120410	10-24 X 1/2 ROUND HEAD PHILLIPS MACHINE SCREW	2
540	9120320	10 SPLIT LOCK WASHER	2
541	4491031	SHUNT	1
542	9123005	1/8 X 5 1/2 WIRE TIE	4
543	6495511	CONTROL FRAME WELDMENT	1
544	9120970	1/4 EXTERNAL STAR LOCK WASHER	2
545	9121270	1/4-20 X 1 HEX BOLT	2
546	4492801	TOP SUPPORT BRACKET	1
547	9121640	5/16-18 X 3/4 HEX BOLT	2
548	9121520	5/16 SPLIT LOCK WASHER	2
549	9121390	11/32 I.D. X 11/16 O.D. X .051/.080 THICK SAE FLAT WASHER (5/16)	2
550	9121400	3/8 I.D. X 7/8 O.D. X .064/.104 THICK WROUGHT WASHER (5/16)	2
551	9121480	5/16-18 X 1 ROUND HEAD PHILLIPS MACHINE SCREW	2
552	9121160	1/4-20 X 3/8 HEX BOLT	1
553	9120880	1/4 SPLIT LOCK WASHER	4
554	9120310	1/8 X 3/4 COTTER PIN	2

CONTROL FRAME - AB



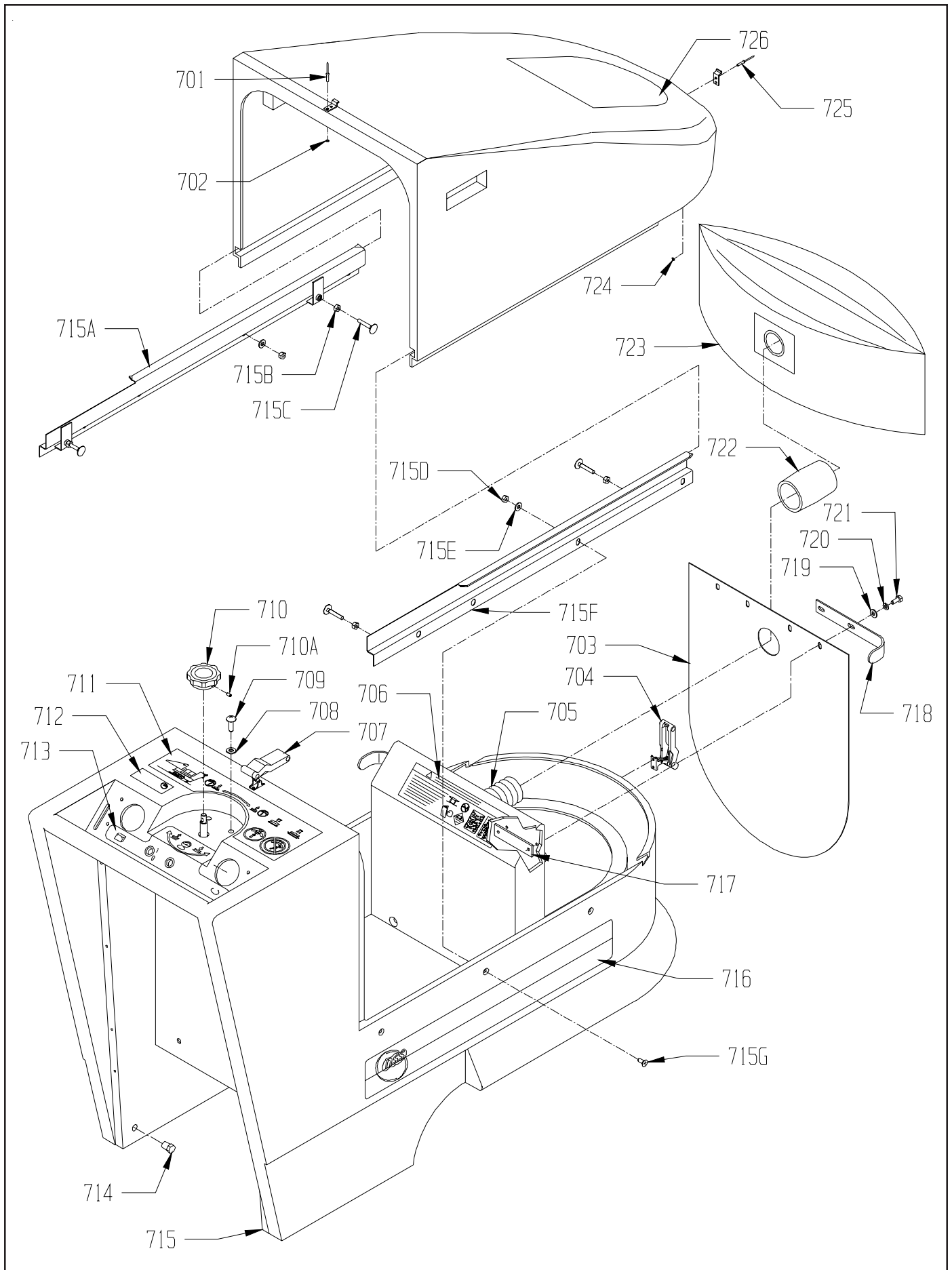
<u>ITEM</u>	<u>PART NO.</u>	<u>DESCRIPTION</u>	<u>QTY.</u>
601	4490521	LOAD ADJUST KNOB (INCLUDES SET SCREW)	1
602	9122450	17/32 I.D. X 1 1/16 O.D. X .074/.121 THICK SAE FLAT WASHER (1/2)	2
603	9122705	1/2 I.D. X 3/4 O.D. X .01 THICK 1 WAVE SPRING WASHER (1/2)	1
604	6490611	ADJUSTMENT ROD	1
605	6490621	ADJUSTMENT ROD COLLAR	2
606	9122180	13/32 I.D. X 13/16 O.D. X .051/.080 THICK WROUGHT WASHER (3/8)	1
607	4490561	INSULATED STANDOFF	1
608	9120970	1/4 EXTERNAL STAR LOCK WASHER	1
609	9121250	1/4-20 X 3/4 HEX BOLT	1
610	4491011	SOLENOID, 36 VOLT	1
611	9120930	9/32 I.D. X 5/8 O.D. X .051/.080 THICK SAE FLAT WASHER (1/4)	2
612	9120880	1/4 SPLIT LOCK WASHER	2
613	9121170	1/4-20 X 1/2 HEX BOLT	2
614	9121287	1/4-20 X 2 1/2 HEX HEAD BOLT - STEEL	1
615	2791281	BUSHING SPACER	2
616	9120900	1/4-20 HEX NUT WITH NY-LOK INSERT	1
617	9120880	1/4 SPLIT LOCK WASHER	2
618	9121170	1/4-20 X 1/2 HEX BOLT	2
619	2791281	BUSHING SPACER	2
620	9120930	9/32 I.D. X 5/8 O.D. X .051/.080 THICK SAE FLAT WASHER (1/4)	2
621	9120900	1/4-20 HEX NUT WITH NY-LOK INSERT	2
622	6490601	ADJUSTMENT BRACKET WELDMENT	1
623	4495326	SWITCH BRACKET	1
624	9120370	7/32 I.D. X 1/2 O.D. X .032/.065 THICK SAE FLAT WASHER (#10)	2
625	9120320	10 SPLIT LOCK WASHER	2
626	9120460	10-24 X 1 1/4 ROUND HEAD PHILLIPS MACHINE SCREW	2
627	4491071	SNAP SWITCH	1
628	9120130	6 EXTERNAL STAR LOCK WASHER	2
629	9120090	6-32 X 7/8 PAN HEAD PHILLIPS MACHINE SCREW	2
630	4490601	KNOB, RAISE / LOWER ROD	1
631	6490101	LATCH HANDLE	1
632	6490091	LATCH ASSEMBLY	1
633	4490631	COMPRESSION SPRING	1
634	9122450	17/32 I.D. X 1 1/16 O.D. X .074/.121 THICK SAE FLAT WASHER (1/2)	1
635	9121145	1/4-20 X 2 HEX BOLT	4
636	9120880	1/4 SPLIT LOCK WASHER	4
637	4495351	SPACER GUIDE	4
638	6490701	CATCH ASSEMBLY	1
639	9120260	8-32 X 3/4 ROUND HEAD PHILLIPS MACHINE SCREW	2
640	2690021	SPEED CONTROL, CURTIS	1
641	6492473	SPEED CONTROL MOUNTING BRACKET	1
642	9120970	1/4 EXTERNAL STAR LOCK WASHER	2
643	9120920	1/4-20 HEX NUT	2
644	9120320	10 SPLIT LOCK WASHER	2
645	9120410	10-24 X 1/2 ROUND HEAD PHILLIPS MACHINE SCREW	2
646	4491031	SHUNT	1
647	9123005	1/8 X 5 1/2 WIRE TIE	4
648	6495511	CONTROL FRAME WELDMENT	1
649	4492801	TOP SUPPORT BRACKET	1
650	9120970	1/4 EXTERNAL STAR LOCK WASHER	2
651	9121270	1/4-20 X 1 HEX BOLT	2
652	9121640	5/16-18 X 3/4 HEX BOLT	2
653	9121520	5/16 SPLIT LOCK WASHER	2
654	9121390	11/32 I.D. X 11/16 O.D. X .051/.080 THICK SAE FLAT WASHER (5/16)	2
655	9121400	3/8 I.D. X 7/8 O.D. X .064/.104 THICK WROUGHT WASHER (5/16)	2
656	9121480	5/16-18 X 1 ROUND HEAD PHILLIPS MACHINE SCREW	2
657	9121170	1/4-20 X 1/2 HEX BOLT	1
658	9120880	1/4 SPLIT LOCK WASHER	1
659	9120310	1/8 X 3/4 COTTER PIN	2

CONTROL FRAME - DB



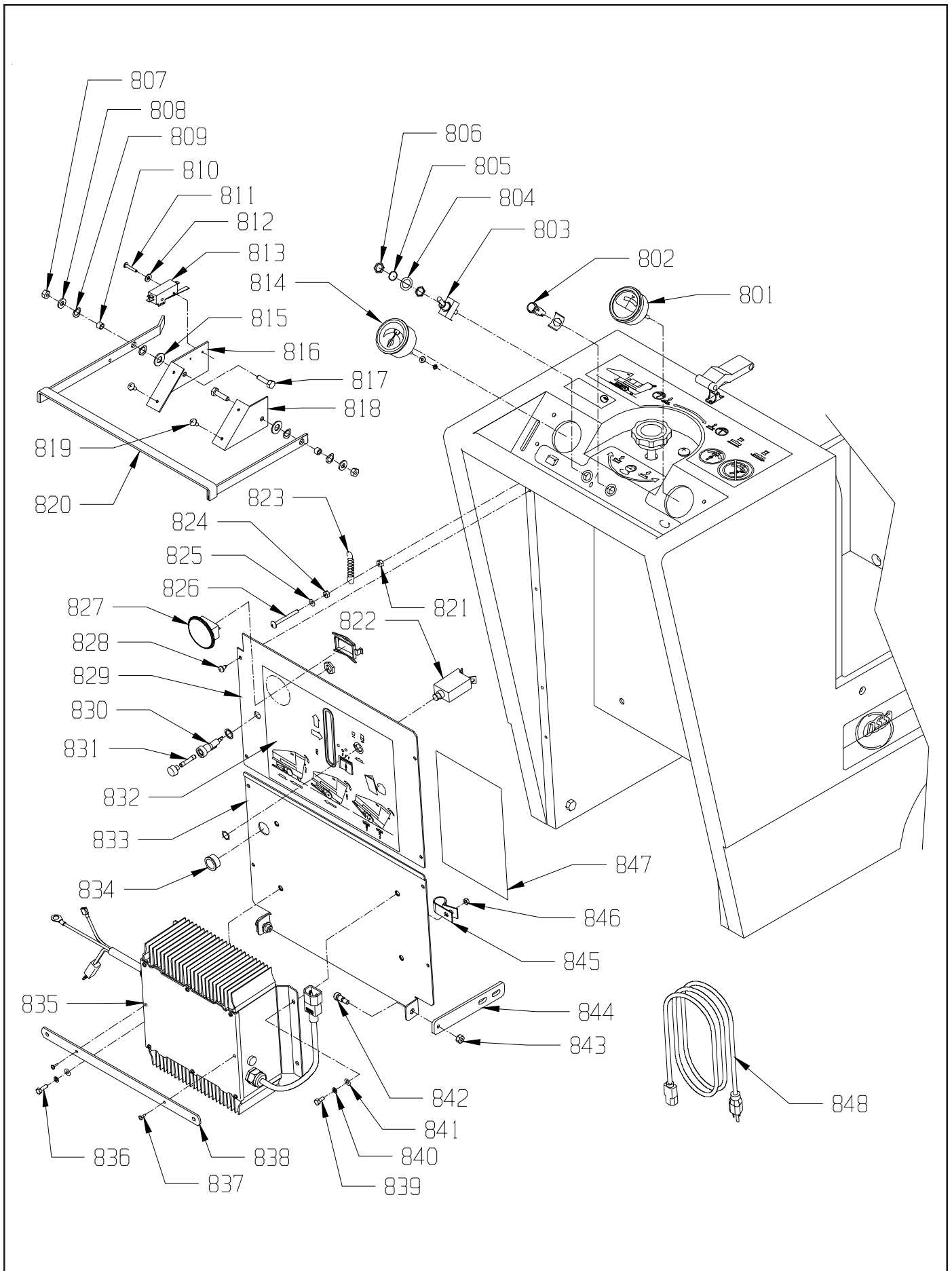
<u>ITEM</u>	<u>PART NO.</u>	<u>DESCRIPTION</u>	<u>QTY.</u>
701	9120317	5/32 X 5/8 DOME HEAD POP RIVET - STEEL	4
702	9120185	5/32 I.D. X 1/2 O.D. WASHER - STEEL - ZINC PLATE	4
703	6492261	RUBBER MOTOR COVER	1
704	6491171	SOFT DRAW LATCH WITH CONCEALED KEEPER	1
705	3392561	VAC EXHAUST HOSE	1
706	6495851	BATTERY WARNING DECAL - OBC	1
707	6491171	SOFT DRAW LATCH WITH CONCEALED KEEPER	1
708	9121400	3/8 I.D. X 7/8 O.D. X .064/.104 THICK WROUGHT WASHER (5/16)	2
709	9121480	5/16-18 X 1 ROUND HEAD PHILLIPS MACHINE SCREW	2
710	4490521	LOAD ADJUST KNOB - INCLUDES:	1
710A	9120650	10-32 X 3/4 SET SCREW	1
711	6495791	ENGLISH/SPANISH OPERATION DECAL	1
712	6493111	NAME IDENTIFIER DECAL CHARGER 2020 AB	1
713	6492801	DASH PANEL DECAL	1
714	6490951	1/4 MIPT PLUG	2
715	6490011	HOUSING WITH SLIDE RAILS	1
715A	6495441	SLIDE RAIL, LEFT	1
715B	9120920	1/4-20 HEX NUT	4
715C	9121039	1/4-20 X 1 1/2 ELEVATOR BOLT - ZINC PLATED	4
715D	9120900	1/4-20 HEX NUT WITH NY-LOK INSERT	6
715E	9120930	9/32 I.D. X 5/8 O.D. X .051/.080 THICK SAE FLAT WASHER (1/4)	6
715F	6495431	SLIDE RAIL, RIGHT	1
715G	9121037	1/4-20 X 5/8 FLAT HEAD PHILLIPS HEAD PHILLIPS MACHINE SCREW	6
716	6493061	SIDE DECAL - 3.5 X 26	2
717	6491211	TAPPING PLATE	2
718	6491191	HOOD STOP / SUPPORT BRACKET	2
719	9120930	9/32 I.D. X 5/8 O.D. X .051/.080 THICK SAE FLAT WASHER (1/4)	4
720	9120880	1/4 SPLIT LOCK WASHER	4
721	9121270	1/4-20 X 1 HEX BOLT	4
722	4495531	END CUFF - 2"	1
723	5796101	PAPER BAG - 5 PACK	1
	6592801	CLOTH FILTER BAG (OPTIONAL)	1
724	9120185	5/32 I.D. X 1/2 O.D. WASHER - STEEL - ZINC PLATE	4
725	9120317	5/32 X 5/8 DOME HEAD POP RIVET - STEEL	4
726	6492871	HOOD DECAL	1

HOUSING - AB



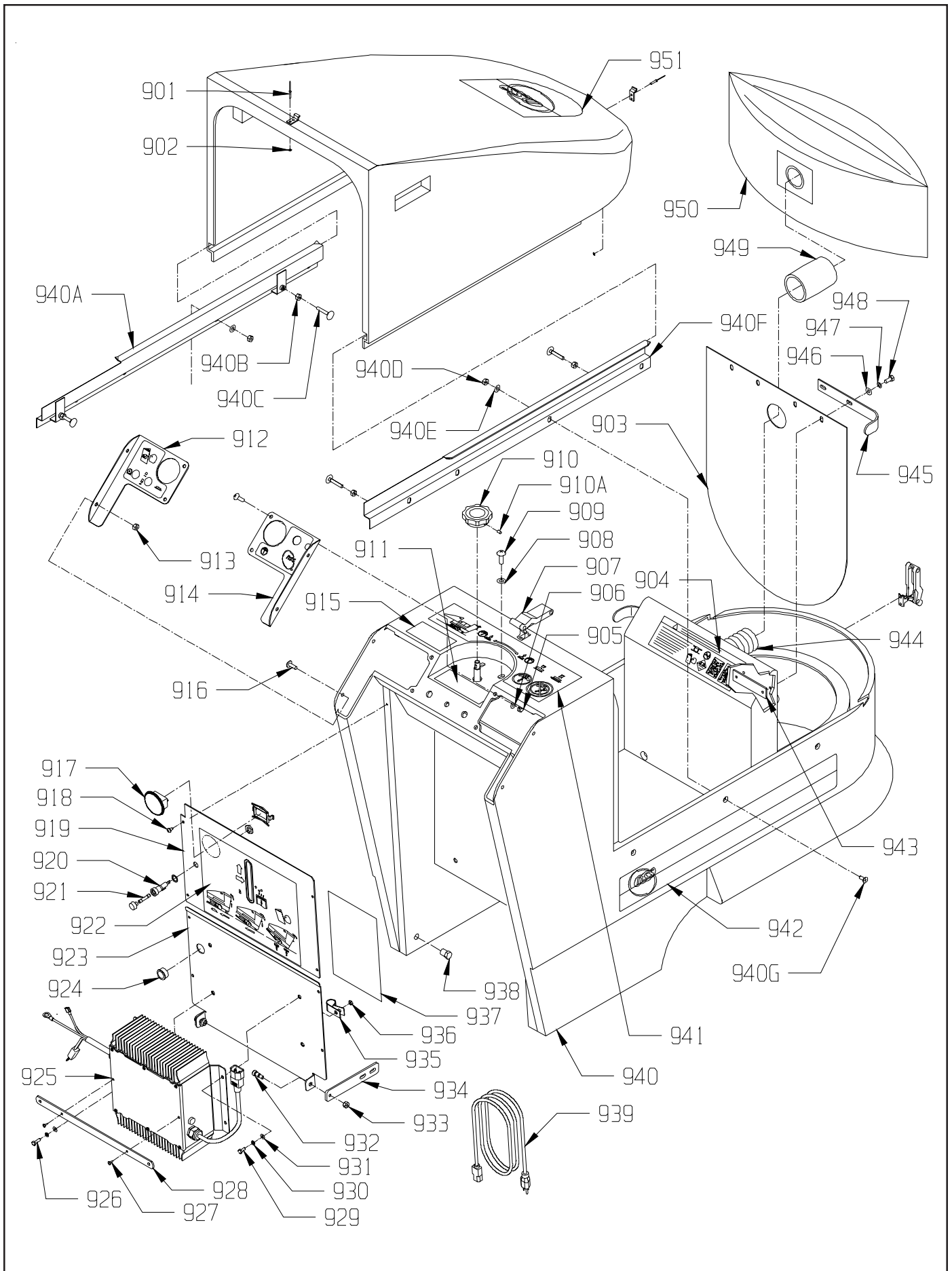
ITEM	PART NO.	DESCRIPTION	QTY.
801	4491041	RPM METER WITH HARDWARE	1
802	2691981	LIGHT - INDICATOR, GREEN, 35 VOLT, WITH CLIP	1
803	4491101	TOGGLE SWITCH, MOTOR	1
804	9122465	.516 I.D. X .813 O.D. X .027/.030 THICK FLAT WASHER	1
805	0691851	1/2 INTERNAL STAR LOCK WASHER	1
806	0798821	5/8 HEX NUT	1
807	9120900	1/4-20 HEX NUT WITH NY-LOK INSERT	2
808	9120930	9/32 I.D. X 5/8 O.D. X .051/.080 THICK SAE FLAT WASHER (1/4)	2
809	9122120	3/8 I.D. X 5/8 O.D. X .031 THICK 1 WAVE SPRING WASHER (3/8)	4
810	2791281	BUSHING SPACER	2
811	9120090	6-32 X 7/8 PAN HEAD PHILLIPS MACHINE SCREW	2
812	9120040	6 INTERNAL STAR LOCK WASHER	2
813	4491071	SNAP SWITCH	1
814	4491051	BATTERY METER 36 VOLT	1
815	9122180	13/32 I.D. X 13/16 O.D. X .051/.080 THICK SAE FLAT WASHER (3/8)	2
816	4492881	SWITCH PLATE - LEFT	1
817	9121270	1/4-20 X 1 HEX BOLT	2
818	4492901	SWITCH PLATE - RIGHT	1
819	9120510	10-24 X 1/2 TRUSS HEAD PHILLIPS MACHINE SCREW	4
820	4493046	HANDLE	1
821	9120350	10-24 HEX NUT WITH NY-LOK INSERT	1
822	4490701	CIRCUIT BREAKER - 70 AMP/ETA	1
823	4490641	EXTENSION SPRING	1
824	9120360	10-24 HEX NUT WITH STAR LOCK WASHER	1
825	9120370	7/32 I.D. X 1/2 O.D. X .032/.065 THICK SAE FLAT WASHER (10)	1
826	9120480	10-24 X 1 3/4 ROUND HEAD PHILLIPS MACHINE SCREW	1
827	2397361	HOUR METER (OPTIONAL)	1
828	9120790	10 X 5/8 PAN HEAD PHILLIPS SHEET METAL SCREW	8
829	6495813	UPPER REAR PANEL	1
830	4990321	FUSE HOLDER W/NUT & WASHER	1
831	6495741	3AG FAST-ACTING FUSE 4AMP	1
832	6492891	DECAL PAD POSITION	1
833	6495823	LOWER REAR PANEL	1
834	4890451	BUSHING, SNAP, #SB87511 HEYCO	1
835	6495691	36 VOLT ONBOARD CHARGER 120/240 VOLT 21 AMP	1
836	9121020	1/4-20 X 1 TRUSS HEAD PHILLIPS MACHINE SCREW	1
837	9120085	M3.5 X 19 PAN HEAD PHILLIPS MACHINE SCREW	2
838	2491283	CORD WRAP	1
839	9121000	1/4-20 X 5/8 TRUSS HEAD PHILLIPS MACHINE SCREW	3
840	9120880	1/4 SPLIT LOCK WASHER	4
841	9120930	9/32 I.D. X 5/8 O.D. X .051/.080 THICK SAE FLAT WASHER (1/4)	4
842	9121550	5/16 DIA. X 3/8 LONG SOCKET HEAD SHOULDER BOLT 1/4-20	2
843	9120900	1/4-20 HEX NUT WITH NY-LOK INSERT	2
844	6495831	HINGE PLATE	2
845	4890851	CABLE CLAMP, #COV-090 KMC	1
846	9120900	1/4-20 HEX NUT WITH NY-LOK INSERT	1
847	6495861	WIRING DECAL AB WITH ONBOARD CHARGER	1
848	6495711	240 VOLT ONBOARD CHARGER CORD - SHUKO	1

CONTROL PANEL - AB



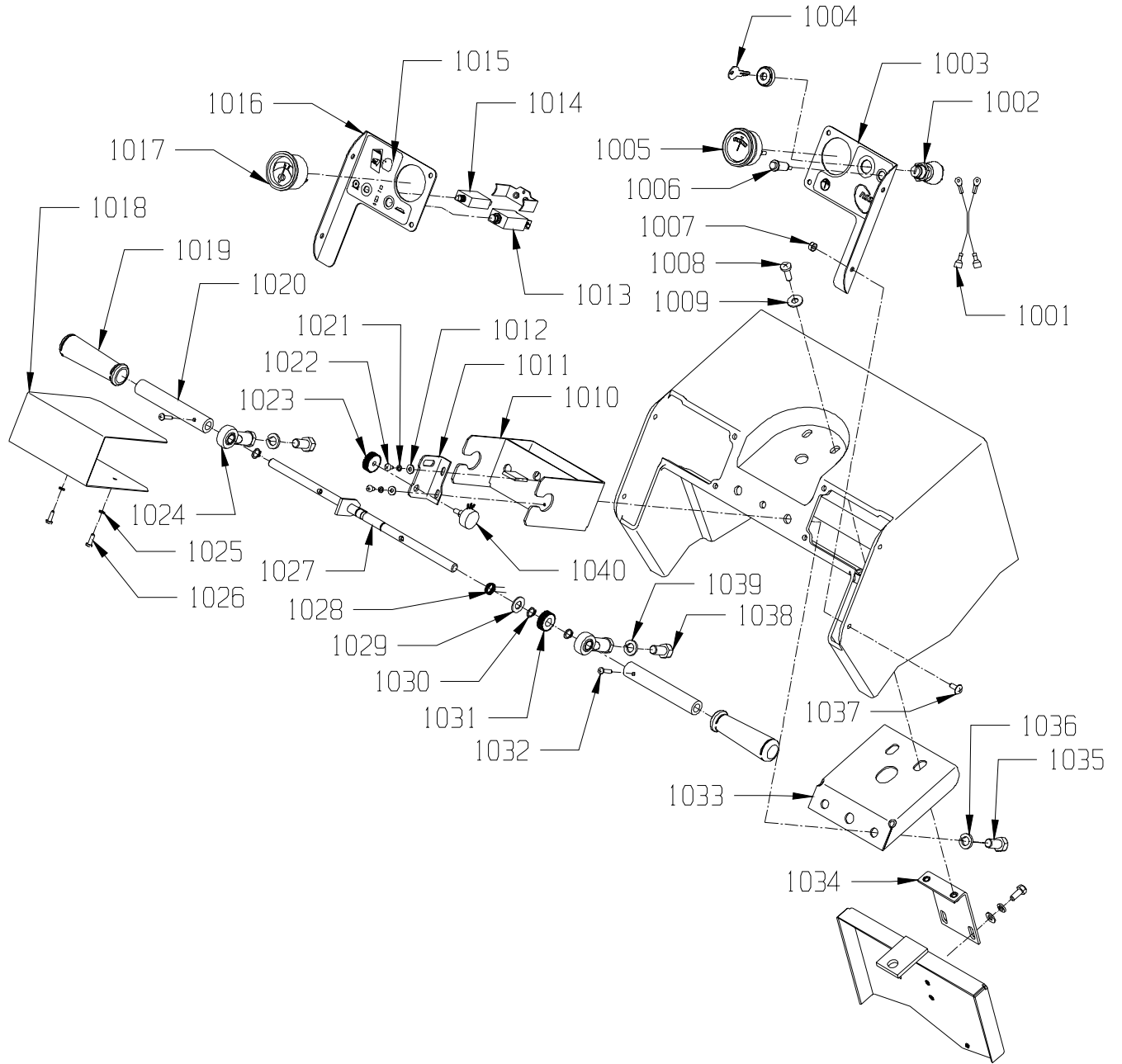
ITEM	PART NO.	DESCRIPTION	QTY.
901	9120317	5/32 X 5/8 DOME HEAD POP RIVET - STEEL	8
902	9120185	5/32 I.D. X 1/2 O.D. WASHER - STEEL - ZINC PLATE	8
903	6492261	RUBBER MOTOR COVER	1
904	6495851	BATTERY WARNING DECAL OBC	1
905	9120900	1/4-20 HEX NUT WITH NY-LOK INSERT	4
906	9120930	9/32 I.D. X 5/8 O.D. X .051/.080 THICK SAE FLAT WASHER (1/4)	4
907	6491171	SOFT DRAW LATCH WITH CONCEALED KEEPER	2
908	9121400	3/8 I.D. X 7/8 O.D. X .064/.104 THICK WROUGHT WASHER (5/16)	2
909	9121480	5/16-18 X 1 ROUND HEAD PHILLIPS MACHINE SCREW	2
910	4490521	LOAD ADJUST KNOB (INCLUDES SET SCREW)	1
911	6495191	CONTROL PANEL DECAL KIT	1
912	6495181	CONTROL PANEL - LEFT	1
913	9120900	1/4-20 HEX NUT WITH NY-LOK INSERT	4
914	6495171	CONTROL PANEL - RIGHT	1
915	6493071	IDENTIFIER DECAL CHARGER 2020 DB	1
916	9121000	1/4-20 X 5/8 TRUSS HEAD PHILLIPS MACHINE SCREW	4
917	2397361	HOUR METER (OPTIONAL)	1
918	9120790	10 X 5/8 PAN HEAD PHILLIPS SHEET METAL SCREW	8
919	6495813	UPPER REAR PANEL	1
920	4990321	FUSE HOLDER WITH NUT AND WASHER	1
921	6495741	3AG FAST-ACTING FUSE 4AMP	1
922	6495201	REAR PANEL DECAL	1
923	6495823	LOWER REAR PANEL	1
924	4890451	BUSHING, SNAP, #SB87511 HEYCO	1
925	6495691	36 VOLT ONBOARD CHARGER 120/240 VOLT 21AMP	1
926	9121020	1/4-20 X 1 TRUSS HEAD PHILLIPS MACHINE SCREW	1
927	9120085	M3.5 X 19 PAN HEAD PHILLIPS MACHINE SCREW	2
928	2491283	CORD WRAP	1
929	9121000	1/4-20 X 5/8 TRUSS HEAD PHILLIPS MACHINE SCREW	3
930	9120880	1/4 SPLIT LOCK WASHER	4
931	9120930	9/32 I.D. X 5/8 O.D. X .051/.080 THICK FLAT WASHER (1/4)	4
932	9121550	5/16 DIA. X 3/8 LONG SOCKET HEAD SHOULDER BOLT 1/4-20	2
933	9120890	1/4-20 HEX NUT WITH NY-LOK INSERT - THIN	2
934	6495831	HINGE PLATE	2
935	4890851	CABLE CLAMP, #COV-090 KMC	1
936	9120910	1/4-20 HEX NUT WITH STAR LOCK WASHER	1
937	6495751	WIRING DECAL - DB WITH ONBOARD CHARGER	1
938	6490951	1/4 MPT PLUG	2
939	6495711	240 VOLT ONBOARD CHARGER CORD - SHUKO	1
940	6495081	HOUSING WITH SLIDE RAILS - INCLUDES:	1
940A	6495441	SLIDE RAIL, LEFT	1
940B	9120920	1/4-20 HEX NUT	4
940C	9121039	1/4-20 X 1 1/2 ELEVATOR BOLT - ZINC PLATED	4
940D	9120900	1/4-20 HEX NUT WITH NY-LOK INSERT	6
940E	9120930	9/32 I.D. X 5/8 O.D. X .051/.080 THICK (1/4) SAE FLAT WASHER	6
940F	9121362	1/4-20 X 2 1/2 FULL THREADED STUD	2
940G	9120923	1/4-20 X 7/8 LONG HEX COUPLING NUT	2
940H	6495431	SLIDE RAIL, RIGHT	1
940I	9121037	1/4-20 X 5/8 FLAT HEAD PHILLIPS MACHINE SCREW	6
941	6495791	ENGLISH / SPANISH OPERATION DECAL	1
942	6493061	SIDE DECAL 3.5 X 26	2
943	6491211	TAPPING PLATE	2
944	3392561	VAC EXHAUST HOSE	1
945	6491191	HOOD STOP / SUPPORT BRACKET	2
946	9120930	9/32 I.D. X 5/8 O.D. X .051/.080 THICK (1/4) SAE FLAT WASHER	4
947	9120880	1/4 SPLIT LOCK WASHER	4
948	9121270	1/4-20 X 1 HEX BOLT	4
949	4495531	END CUFF - 2"	1
950	5796101	PAPER BAG - 5 PACK	1
	6592801	CLOTH FILTER BAG (OPTIONAL)	1
951	6492871	HOOD DECAL	1

HOUSING - DB



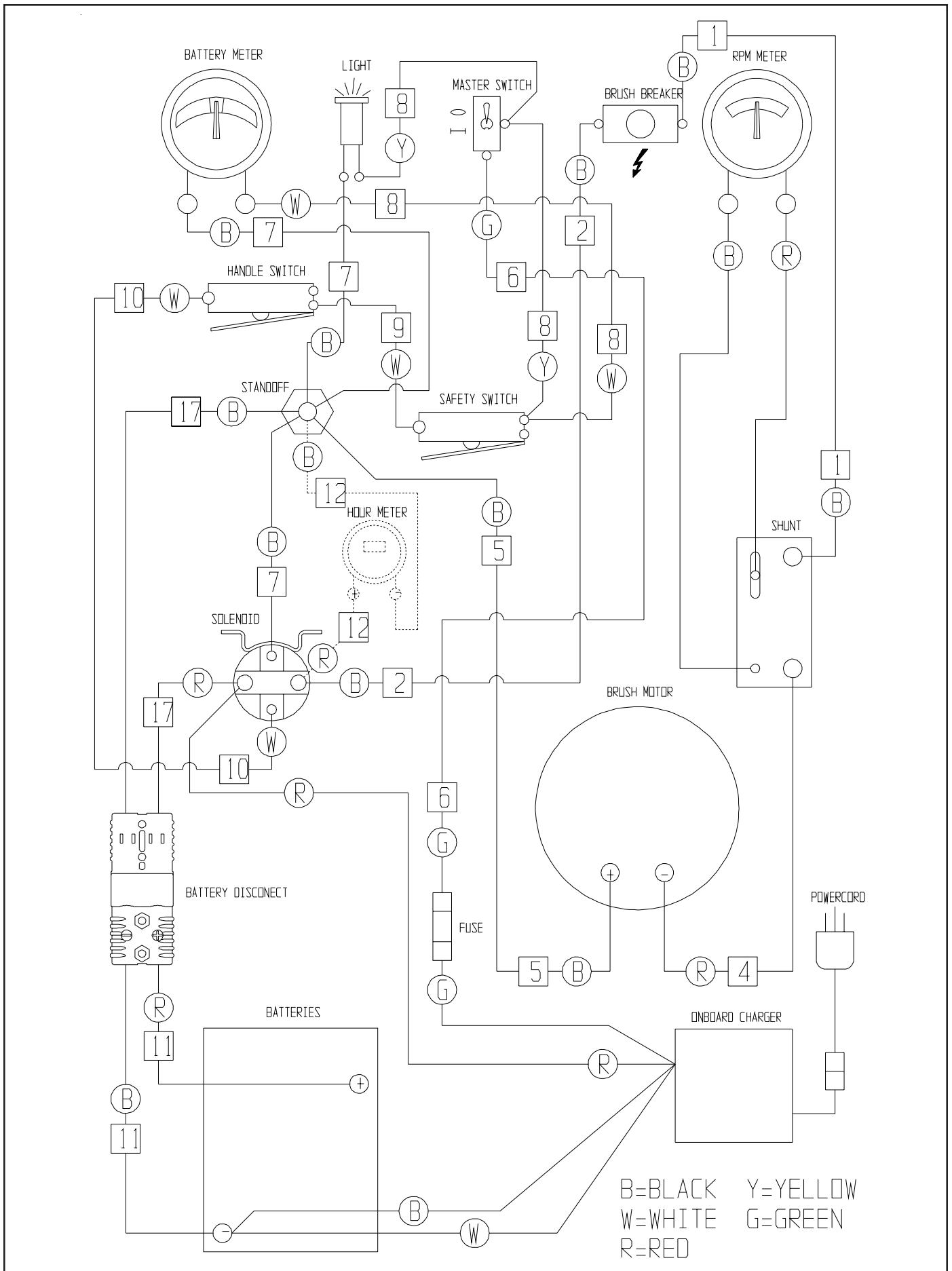
<u>ITEM</u>	<u>PART NO.</u>	<u>DESCRIPTION</u>	<u>QTY.</u>
1001	6495571	WIRE ASSEMBLY - KEY SWITCH ADAPTOR	1
1002	2795711	KEY SWITCH & KEY	1
1003	6495161	KEY SWITCH CONTROL PANEL - RIGHT	1
1004	2796131	REPLACEMENT KEY	1
1005	4491041	RPM METER WITH HARDWARE	1
1006	2691981	LIGHT - INDICATOR, GREEN, 36 VOLT, WITH CLIP	1
1007	9120900	1/4-20 HEX NUT WITH NY-LOK INSERT	8
1008	9121480	5/16-18 X 1 ROUND HEAD PHILLIPS MACHINE SCREW	2
1009	9121400	3/8 I.D. X 7/8 O.D. X .064/.104 THICK WROUGHT WASHER (5/16)	2
1010	6495021	HANDLE BOX - TWISTED GRIP	1
1011	6495051	POTENTIOMETER MOUNTING BRACKET	1
1012	9120370	7/32 I.D. X 1/2 O.D. X .032/.065 THICK FLAT WASHER (#10)	2
1013	4490701	CIRCUIT BREAKER - 70 AMP/ETA	1
1014	2392201	CIRCUIT BREAKER, 115 VOLT 10 AMP	1
1015	6495191	CONTROL PANEL DECAL KIT	1
1016	6495181	CONTROL PANEL - LEFT	1
1017	4491051	BATTERY METER WITH HARDWARE	1
1018	6495033	HANDLE BOX COVER	1
1019	3392901	HANDLE GRIP	2
1020	2691871	HANDLE GRIP BASE	2
1021	9120320	10 SPLIT LOCK WASHER	2
1022	9120410	10-24 X 1/2 ROUND HEAD PHILLIPS MACHINE SCREW	2
1023	2691941	DRIVEN GEAR, POTENTIOMETER	1
	9120170	8-32 X 3/16 SET SCREW - KNURL POINT - STEEL	2
1024	2391941	BALL JOINT	2
1025	9120320	10 SPLIT LOCK WASHER	2
1026	9120410	10-24 X 1/2 ROUND HEAD PHILLIPS MACHINE SCREW	2
1027	6495011	HANDLE BAR	1
1028	3392661	TORSION SPRING	1
1029	9122450	17/32 I.D. X 1 1/16 O.D. X .074/.121 THICK FLAT WASHER (1/2)	1
1030	5091701	RETAINING RING	3
1031	2691931	DRIVE GEAR, HANDLE BAR	1
	9120170	8-32 X 3/16 SET SCREW - KNURL POINT - STEEL	2
1032	9120270	8-32 X 7/8 ROUND HEAD PHILLIPS MACHINE SCREW	2
1033	6495041	HANDLE BOX MOUNTING PLATE	1
1034	4492803	TOP SUPPORT BRACKET	1
1035	9122700	1/2-20 X 1 HEX BOLT	2
1036	9122420	1/2 SPLIT LOCK WASHER	2
1037	9121000	1/4-20 X 5/8 TRUSS HEAD PHILLIPS MACHINE SCREW	8
1038	9122530	1/2-13 X 1 HEX BOLT	2
1039	9122420	1/2 SPLIT LOCK WASHER	2
1040	2694131	POTENTIOMETER, CURTIS SPEED CONTROL	1

CONTROL PANEL - DB



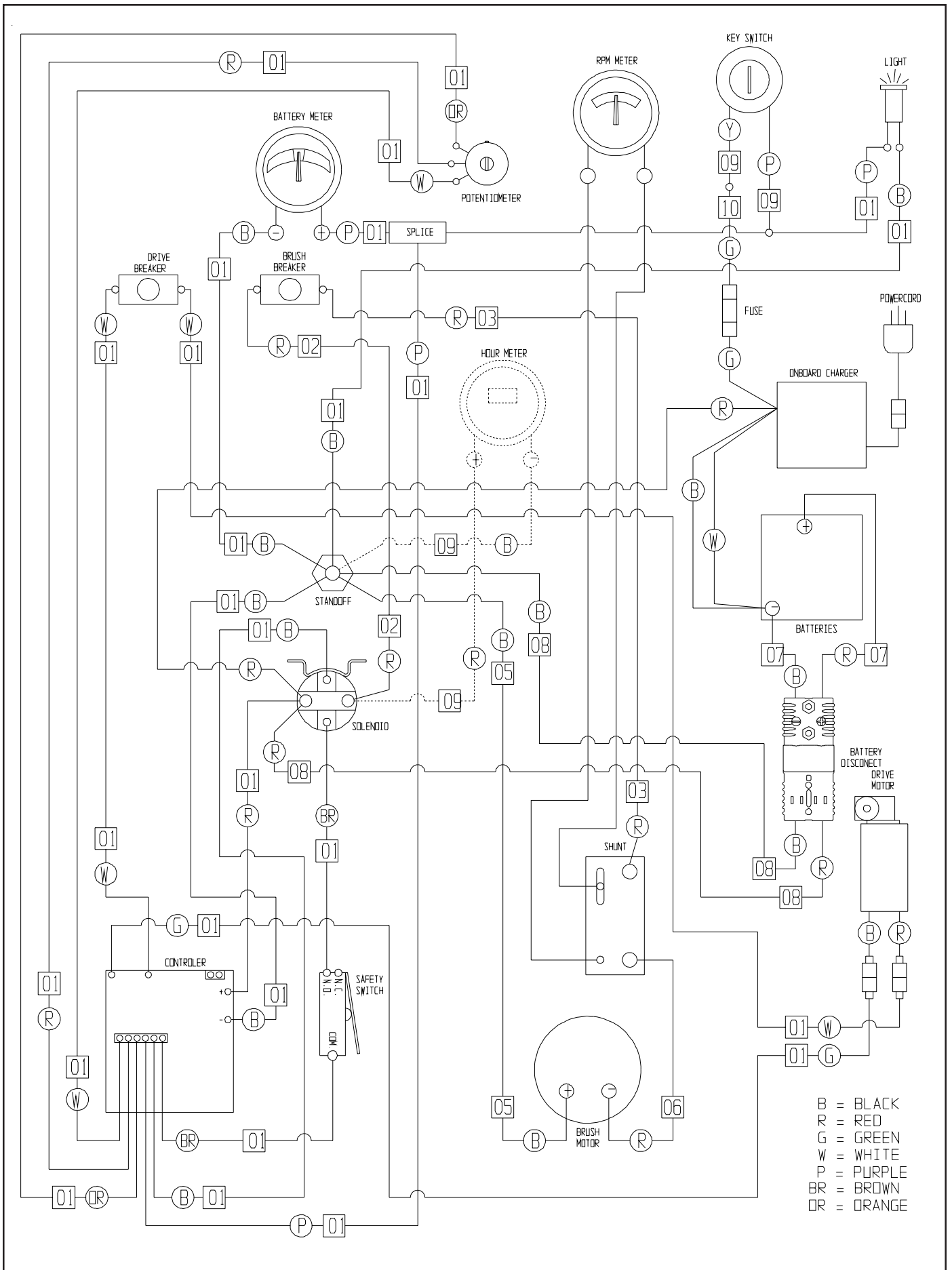
<u>ITEM</u>	<u>PART NO.</u>	<u>DESCRIPTION</u>	<u>QTY.</u>
1	6490801	WIRE ASSEMBLY, BREAKER TO SHUNT	1
2	6490811	WIRE ASSEMBLY, SOLENOID TO BREAKER	1
4	6495121	WIRE ASSEMBLY, SHUNT TO MOTOR	1
5	6495131	WIRE ASSEMBLY, MOTOR TO STANDOFF	1
6	6495721	WIRE ASSEMBLY, FUSE TO SWITCH	1
7	6490861	WIRE ASSEMBLY, SOLENOID / LIGHT / VOLT METER TO STANDOFF	1
8	6490871	WIRE ASSEMBLY, SAFETY SWITCH TO VOLT METER / SWITCH TO LIGHT	1
9	6490881	WIRE ASSEMBLY, HANDLE SWITCH TO SAFETY SWITCH	1
10	6490891	WIRE ASSEMBLY, SOLENOID TO HANDLE SWITCH	1
11	7691661	WIRE ASSEMBLY, ANDERSON - POS./NEG. BATTERY 36 VOLT	1
17	6491831	WIRE ASSEMBLY, ANDERSON TO SOLENOID / STANDOFF	1
97	2391981	BATTERY JUMPER 3/8" RING #97	2
—	2397361	HOUR METER - OPTIONAL	1
—	2691981	INDICATOR LIGHT - GREEN LENS / 35 VOLT WITH CLIP	1
—	4490561	INSULATED STANDOFF	1
—	4490701	CIRCUIT BREAKER - 70 AMP/ETA	1
—	4491011	SOLENOID, 36 VOLT	1
—	4491031	SHUNT	1
—	4491041	RPM METER WITH HARDWARE	1
—	4491051	BATTERY METER 36 VOLT WITH HARDWARE	1
—	4491061	BATTERY, 185 AMP/HR, 12 VOLT	3
—	4491071	SNAP SWITCH	2
—	4491101	TOGGLE SWITCH, MOTOR	1
—	4990321	FUSE HOLDER WITH NUT & WASHER	1
—	6491841	175 AMP ANDERSON WITH CONTACTS GRAY 36 VOLT	2
—	6493511	MOTOR 2000 RPM, 37V - IMPERIAL	1
—	6495621	HOUR METER LEADS - OPTIONAL	1
—	6495691	36V ONBOARD CHARGER 120/240V 21AMP	1
—	6495701	120V ONBOARD CHARGER CORD	1
—	6495711	240V ONBOARD CHARGER CORD - SHUKO	1
—	6495741	3AG FAST-ACTING FUSE 4AMP	1
—	9123005	1/8 X 5 1/2 WIRE TIE	6

WIRING DIAGRAM - AB

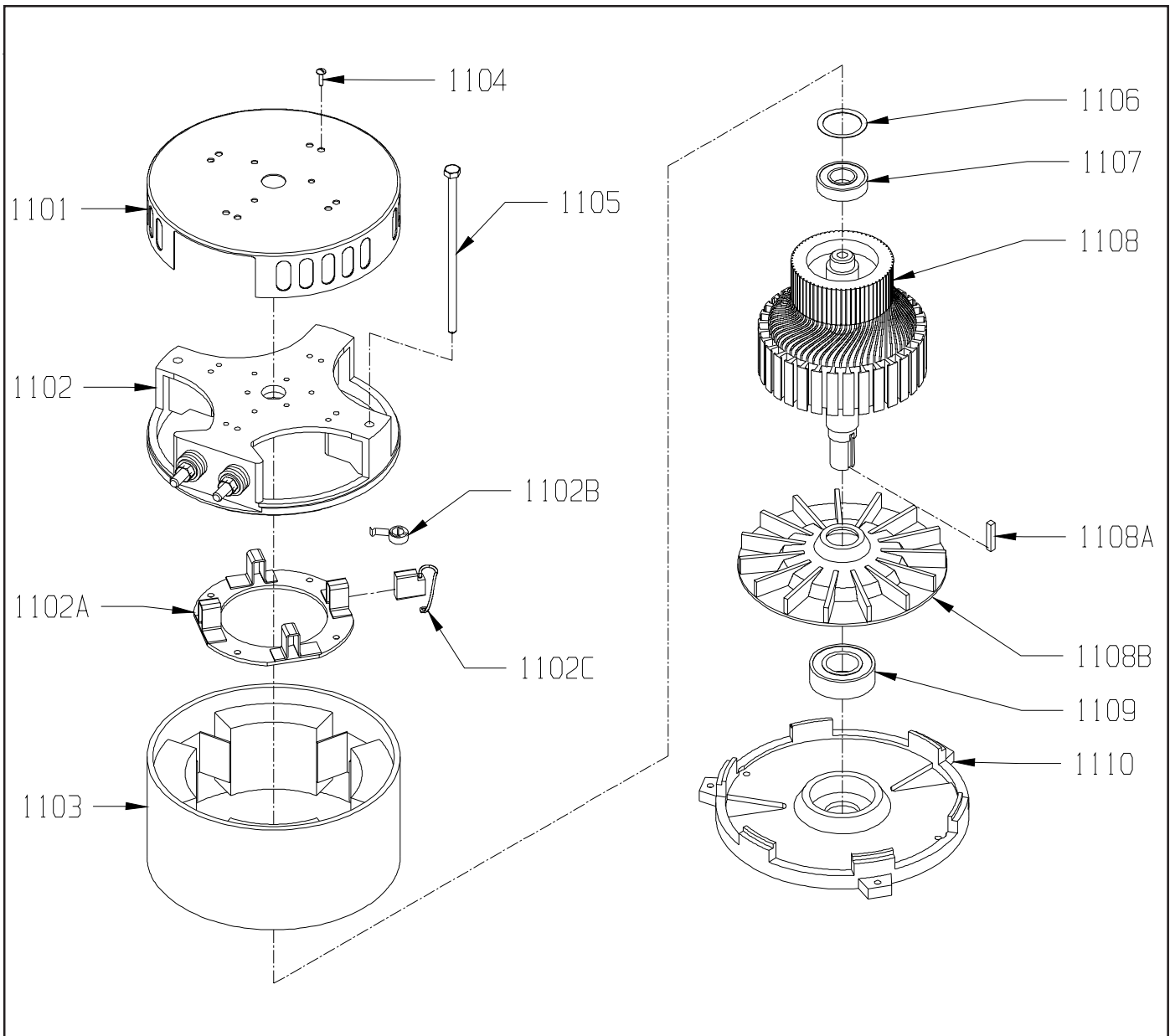


<u>ITEM</u>	<u>PART NO.</u>	<u>DESCRIPTION</u>	<u>QTY.</u>
1	6495321	WIRE HARNESS	1
2	6495331	WIRE ASSEMBLY, SOLENOID TO BRUSH BREAKER	1
3	6495341	WIRE ASSEMBLY, BRUSH BREAKER TO SHUNT	1
5	6495131	WIRE ASSEMBLY, MOTOR TO STANDOFF	1
6	6495121	WIRE ASSEMBLY, SHUNT TO MOTOR	1
7	7691661	WIRE ASSEMBLY, ANDERSON - POS./NEG. BATTERY 36 VOLT	1
8	6491831	WIRE ASSEMBLY, ANDERSON - SOLENOID / STANDOFF 36 VOLT	1
9	6495571	WIRE ASSEMBLY - KEY SWITCH ADAPTOR	1
10	6495721	WIRE ASSEMBLY, FUSE TO SWITCH	1
97	2391981	BATTERY JUMPER 3/8" RING #97	2
—	2392201	CIRCUIT BREAKER, 115 VOLT 10 AMP (DRIVE)	1
—	2397361	HOUR METER - OPTIONAL	1
—	2690021	SPEED CONTROL, CURTIS	1
—	2691981	INDICATOR LIGHT - GREEN LENS, 36 VOLT WITH CLIP	1
—	2694131	POTENTIOMETER, CURTIS CONTROL	1
—	2795711	KEY SWITCH & KEY	1
—	4490561	INSULATED STANDOFF	1
—	4490701	CIRCUIT BREAKER - 70 AMP/ETA (BRUSH)	1
—	4491011	SOLENOID, 36 VOLT	1
—	4491031	SHUNT	1
—	4491041	RPM METER WITH HARDWARE	1
—	4491051	BATTERY METER WITH HARDWARE	1
—	4491061	BATTERY, 205 AMP/HR, 12 VOLT	3
—	4491071	SNAP SWITCH (SAFETY)	1
—	4990321	FUSE HOLDER WITH NUT AND WASHER	1
—	6491841	175 AMP ANDERSON WITH CONTACTS GRAY 36 VOLT	2
—	6493511	MOTOR 2000 RPM, 36V - IMPERIAL	1
—	6495291	DRIVE MOTOR 36 VOLT	1
—	6495621	HOUR METER LEADS - OPTIONAL	1
—	6495691	36V ONBOARD CHARGER 120/240V 21AMP	1
—	6495701	120V ONBOARD CHARGER CORD	1
—	6495711	240V ONBOARD CHARGER CORD - SHUKO	1
—	6495741	3AG FAST-ACTING FUSE 4AMP	1
—	9123005	1/8 X 5 1/2 WIRE TIE	5

WIRING DIAGRAM - DB



MOTOR



<u>ITEM</u>	<u>PART NO.</u>	<u>DESCRIPTION</u>	<u>QTY.</u>
	6493511	MOTOR 2000 RPM, 36 VOLT - INCLUDES:	1
1101	5991731	COMMUTATOR BRACKET COVER	1
	6493531	COMMUTATOR BRACKET ASSEMBLY - INCLUDES:	1
1102	6493541	COMMUTATOR BRACKET	1
1102A	6493601	BRUSH BOARD ASSEMBLY - INCLUDES:	1
1102B	6493591	SPRING	2
1102C	7692041	CARBON BRUSH	2
1103	5991521	STATOR FRAME ASSEMBLY - WITH CLIPS AND MAGNETS	1
1104	9120600	10-24 X 1/2 PAN HEAD PHILLIPS THREAD CUTTING SCREW	4
1105	5991701	THRU BOLT	2
1106	5991741	HELICAL WASHER - LARGE	1
1107	5991551	BEARING - TOP END	1
1108	6493581	ARMATURE - 2000 RPM - INCLUDES:	1
1108A	9120827	3/16 SQUARE X 1 LONG KEY - STEEL	1
1108B	6493571	ALUMINUM FAN	1
1109	5991541	BEARING - BOTTOM END	1
1110	6493551	BEARING END BRACKET	1

BLANK



NSS ® Enterprises, Inc.

3115 Frenchmens Road, Toledo, Ohio 43607
PHONE (419) 531-2121 FAX (419) 531-3761
NSS ® Enterprises, Inc. European Distribution Centre
Unit II, Pinfold Trading Estate * 55 Nottingham Road
STAPLEFORD, NOTTINGHAM NG9 8AD ENGLAND U.K.
PHONE: (44) 0115 939 1568 * FAX: (44) 0115 949 0615