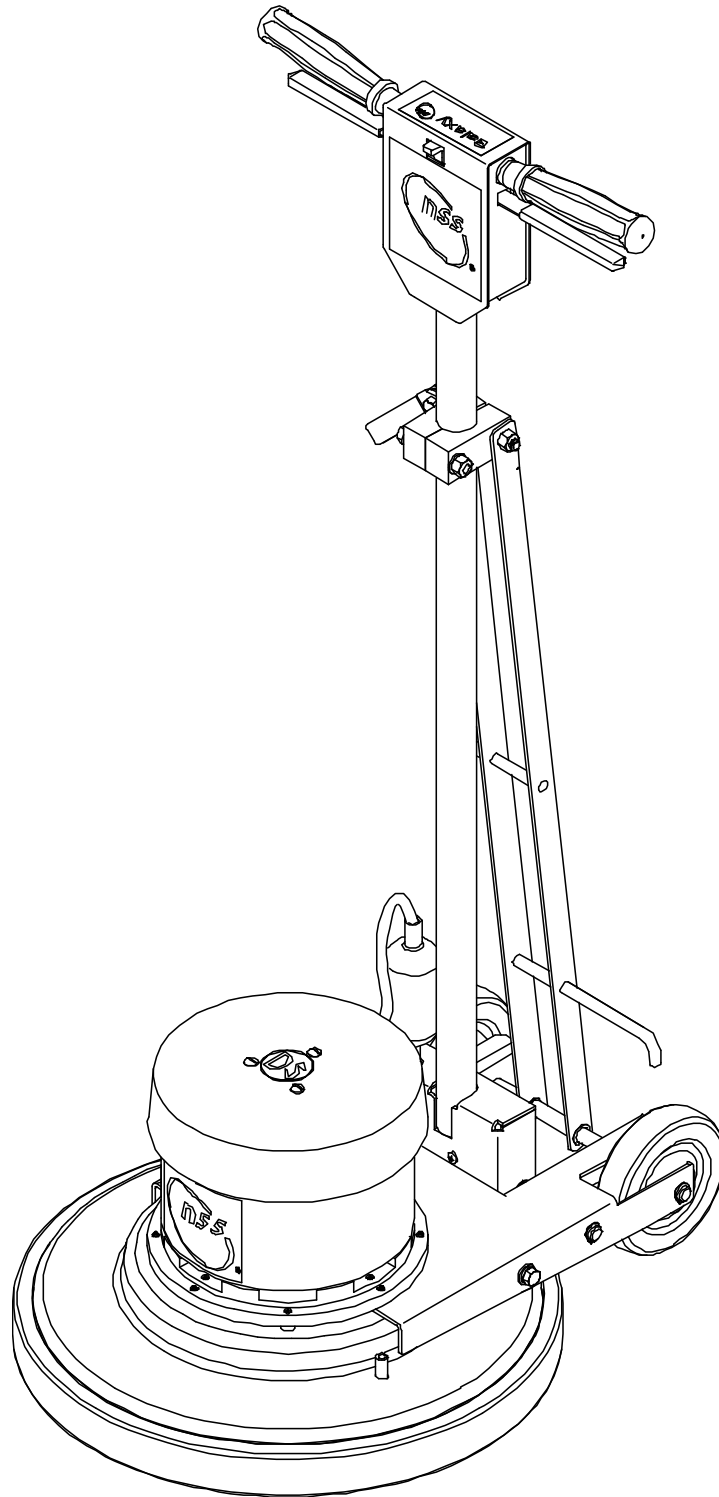


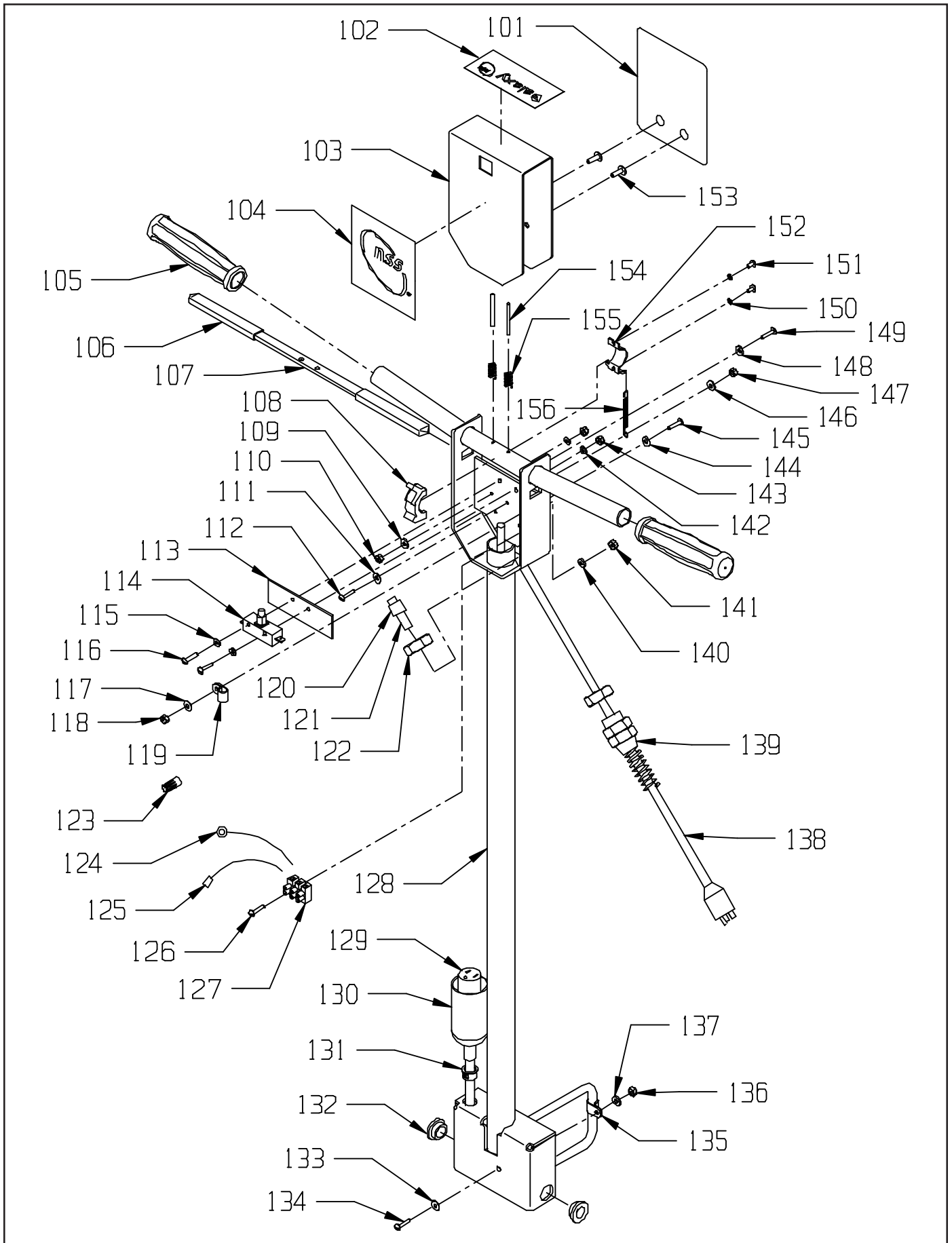
PARTS LIST

# GALAXY DS FLOOR MACHINE



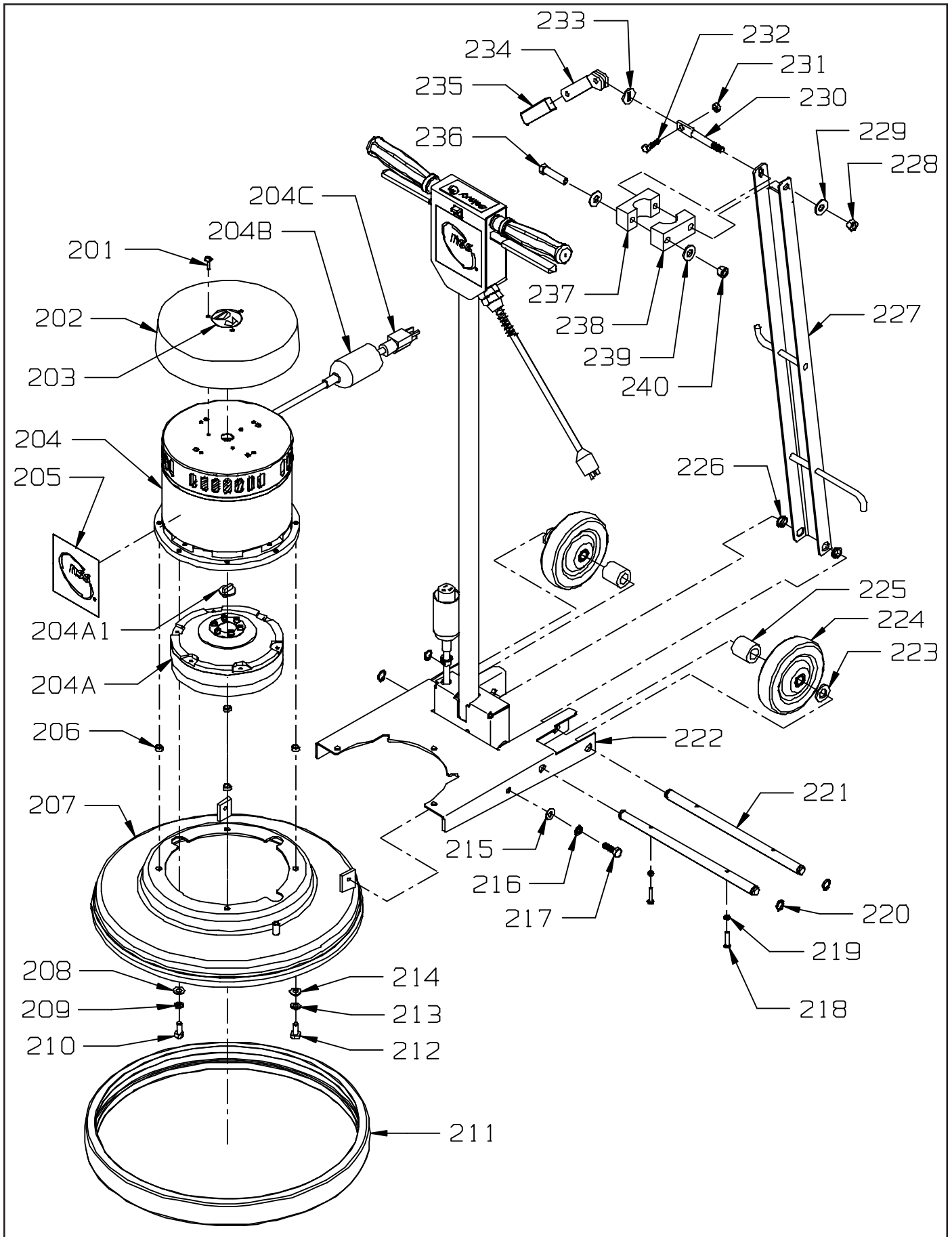
<u>ITEM</u>	<u>PART NO.</u>	<u>DESCRIPTION</u>	<u>QTY</u>
101	0393051	SAFETY DECAL	1
102	0393691	IDENTIFIER DECAL - GALAXY	1
103	0393351	SWITCH BOX COVER	1
104	0393531	DECAL	1
105	0393441	HANDLE GRIP	2
106	0393411	GRIP - SWITCH LEVER	2
107	0393401	SWITCH LEVER	1
108	0393521	SAFETY LOCKOUT	1
109	0393891	M4 FLAT WASHER	1
110	0393901	M4 X .07 HEX NUT WITH NY-LOK INSERT	2
111	0393891	M4 FLAT WASHER	1
112	0393911	M4 X .07 X 16mm PAN HEAD PHILLIPS MACHINE SCREW	1
113	0393421	SWITCH INSULATOR	1
114	5390211	SWITCH	1
115	0393851	M3 FLAT WASHER	2
116	0393871	M3 X .05 X 25mm PAN HEAD PHILLIPS MACHINE SCREW	2
117	0393891	M4 FLAT WASHER	1
118	0393901	M4 X .07 HEX NUT WITH NY-LOK INSERT	1
119	0393331	CORD CLAMP	1
120	0393311	CORD CLAMP - CRIMP ON	1
121	8791071	VINYL TUBE - 240 VOLT	.2 FT.
122	5390261	REPLACEMENT STRAIN RELIEF NUT	2
123	0393291	ORANGE WIRE NUT	1
124	0393081	WIRE - GROUND/TERMINAL - 230 VOLT	1
125	0393091	WIRE - DEAD/TERMINAL - 230 VOLT	
126	0393871	M3 X .05 X 25mm PAN HEAD PHILLIPS MACHINE SCREW - 230 VOLT	1
127	0393071	TERMINAL BLOCK - 230 VOLT	1
128	0393371	HANDLE	1
129	0393451	HANDLE CORD	1
130	0393631	PLUG/CORD COVER - HANDLE	1
131	0393341	HEYCO CORD GROMMET	1
132	0393641	BUSHING - LOWER HANDLE	2
133	0393891	M4 FLAT WASHER	1
134	0393911	M4 X .07 X 16mm PAN HEAD PHILLIPS MACHINE SCREW	1
135	0393331	CORD CLAMP	1
136	0393901	M4 X .07 HEX NUT WITH NY-LOK INSERT	1
137	0393891	M4 FLAT WASHER	1
138	5091561	CORD 50 FEET 14-3 - 120 VOLT	1
	0393471	SHUKO CORD - 50 FEET - 16-3	1
139	0393491	CORD STRAIN RELIEF 120 VOLT	1
	0393501	CORD STRAIN RELIEF 230 VOLT	1
140	0393851	M3 FLAT WASHER - 230 VOLT	1
141	0393861	M3 X .05 HEX NUT WITH NY-LOK INSERT - 230 VOLT	1
142	0393851	M3 FLAT WASHER	2
143	0393861	M3 X .05 HEX NUT WITH NY-LOK INSERT	2
144	0393891	M4 FLAT WASHER	1
145	0393911	M4 X .07 X 16mm PAN HEAD PHILLIPS MACHINE SCREW	1
146	0393891	M4 FLAT WASHER	1
147	0393901	M4 X .07 HEX NUT WITH NY-LOK INSERT	1
148	0393891	M4 FLAT WASHER	1
149	0393911	M4 X .07 X 16mm PAN HEAD PHILLIPS MACHINE SCREW	2
150	0393841	M3 EXTERNAL STAR LOCK WASHER	2
151	0393881	M3 X .05 X 8mm PAN HEAD PHILLIPS THREAD CUTTING SCREW	2
152	0393511	SAFETY LOCKOUT BRACKET	1
153	0393931	M5 X .08 X 20mm PAN HEAD PHILLIPS MACHINE SCREW	2
154	0393561	ROLL PIN	2
155	0393391	SWITCH LEVER SPRING	2
156	0393381	SPRING	1

# HANDLE TUBE ASSEMBLY

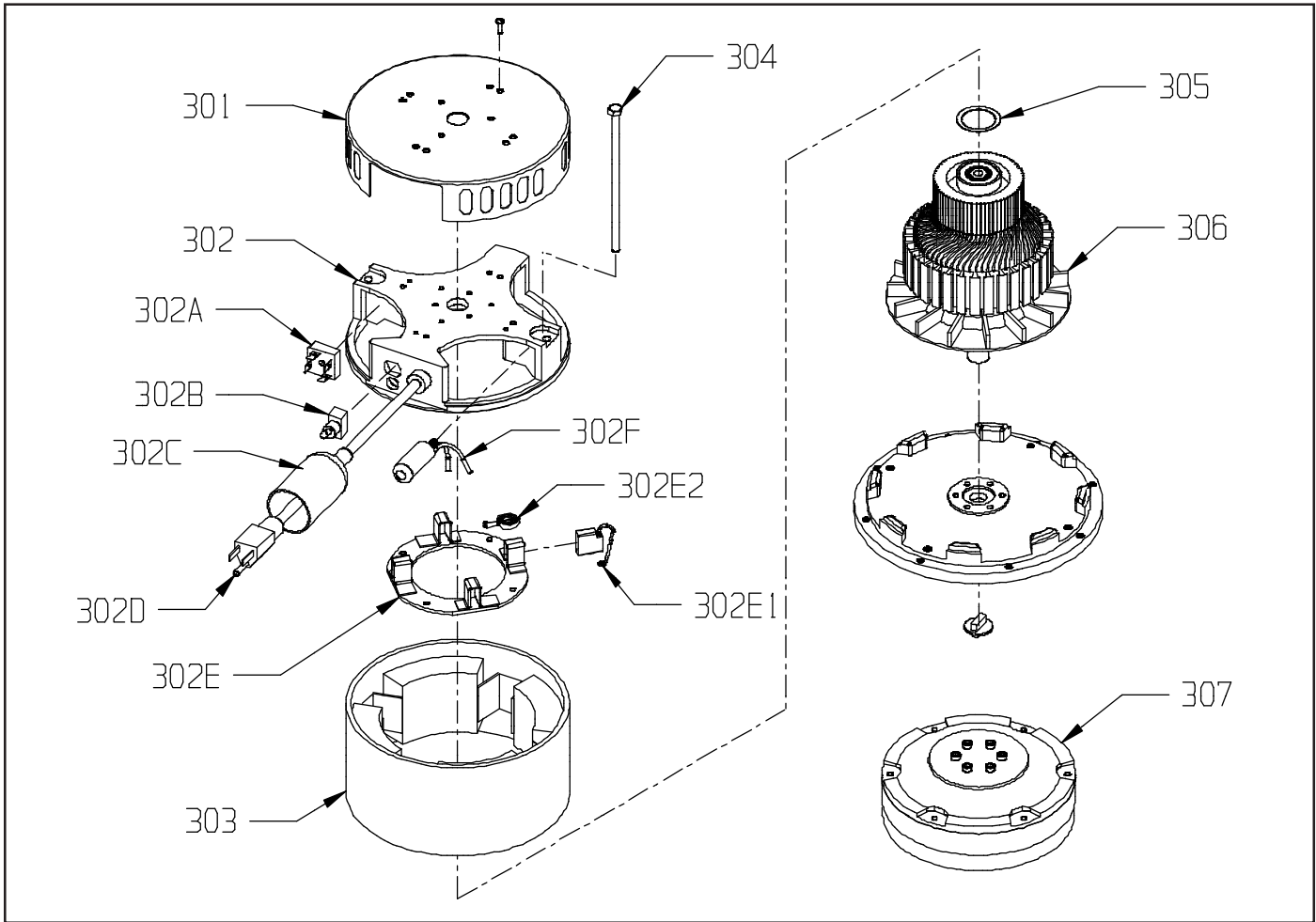


<u>ITEM</u>	<u>PART NO.</u>	<u>DESCRIPTION</u>	<u>QTY</u>
201	0393781	10-32 X 1/2 TRUSS HEAD SCREW	1
202	0393771	DRIP COVER, GALAXY DS	1
203	0394931	GALAXY DS DECAL	1
204	0394921	1.5HP 120V 50/60HZ DUAL SPEED MOTOR AND GEAR BOX - INCLUDES:	1
204A	0394611	GEARBOX - 10:1 2P W/END SHIELD & FLEX COUPLING	1
204A1	5095301	FLEXIBLE COUPLING	1
204B	0393621	PLUG / CORD COVER - MOTOR	1
204C	0394581	MOTOR CORD	1
204	0394951	1.5HP 230V 50/60HZ DUAL SPEED MOTOR AND GEAR BOX - INCLUDES:	1
204A	0394611	GEARBOX - 10:1 2P W/END SHIELD & FLEX COUPLING	1
204A1	5095301	FLEXIBLE COUPLING	1
204B	0393621	PLUG / CORD COVER - MOTOR	1
204C	0394581	MOTOR CORD	1
205	0393531	DECAL	1
206	0393301	SPACER - (.344 I.D. X .5 O.D. X .188 L.)	4
207	0393751	17" SKIRT	1
	0393761	20" SKIRT	1
208	0393791	11/32 I.D. X 11/16 O.D. X .051/.080 THICK FLAT WASHER	3
209	0393811	5/16-18 SPLIT LOCK WASHER	3
210	0393821	5/16-18 X 1 HEX BOLT	3
211	0393751	17" BUMPER	1
	0393761	20" BUMPER	1
212	0393821	5/16-18 X 1 HEX BOLT	4
213	0393811	5/16-18 SPLIT LOCK WASHER	4
214	0393791	11/32 I.D. X 11/16 O.D. X .051/.080 THICK FLAT WASHER	4
215	0393791	11/32 I.D. X 11/16 O.D. X .051/.080 THICK FLAT WASHER	2
216	0393811	5/16-18 SPLIT LOCK WASHER	2
217	0393821	5/16-18 X 1 HEX BOLT	2
218	0393941	M5 X .08 X 30mm PAN HEAD PHILLIPS MACHINE SCREW	2
219	0393921	M5 X .08 HEX JAM NUT	2
220	0393251	RETAINING RING	4
221	0393221	AXLE AND HANDLE PIVOT	2
222	0393011	BASE	1
223	0393991	M14 FLAT WASHER	2
224	0393231	WHEEL 5" - SOFT GRAY RUBBER	2
225	0393361	SPACER, WHEEL	2
226	0393151	NYLINER	2
227	0393021	HANDLE BRACE	1
228	0393801	3/8-16 HEX NUT WITH NY-LOK INSERT	1
229	0393831	7/16 I.D. X 1. O.D. X .075/.080 THICK FLAT WASHER (3/8)	1
230	0393141	FLATTENED CLAMP BOLT	1
231	0393961	M8 X 1.25 HEX NUT WITH NY-LOK INSERT	1
232	0393971	M8 X 1.25 X 25mm HEX BOLT	1
233	0393131	SLOTTED WASHER	1
234	0393121	CLAMP LEVER	1
235	0393321	HANDLE GRIP	1
236	0393981	M8 X 1.25 X 65mm HEX BOLT	1
237	0393041	HANDLE CLAMP - LEFT	1
238	0393031	HANDLE CLAMP - RIGHT	1
239	0393951	M8 FLAT WASHER	2
240	0393961	M8 X 1.25 HEX NUT WITH NY-LOK INSERT	1

# BASE / HANDLE ASSEMBLY

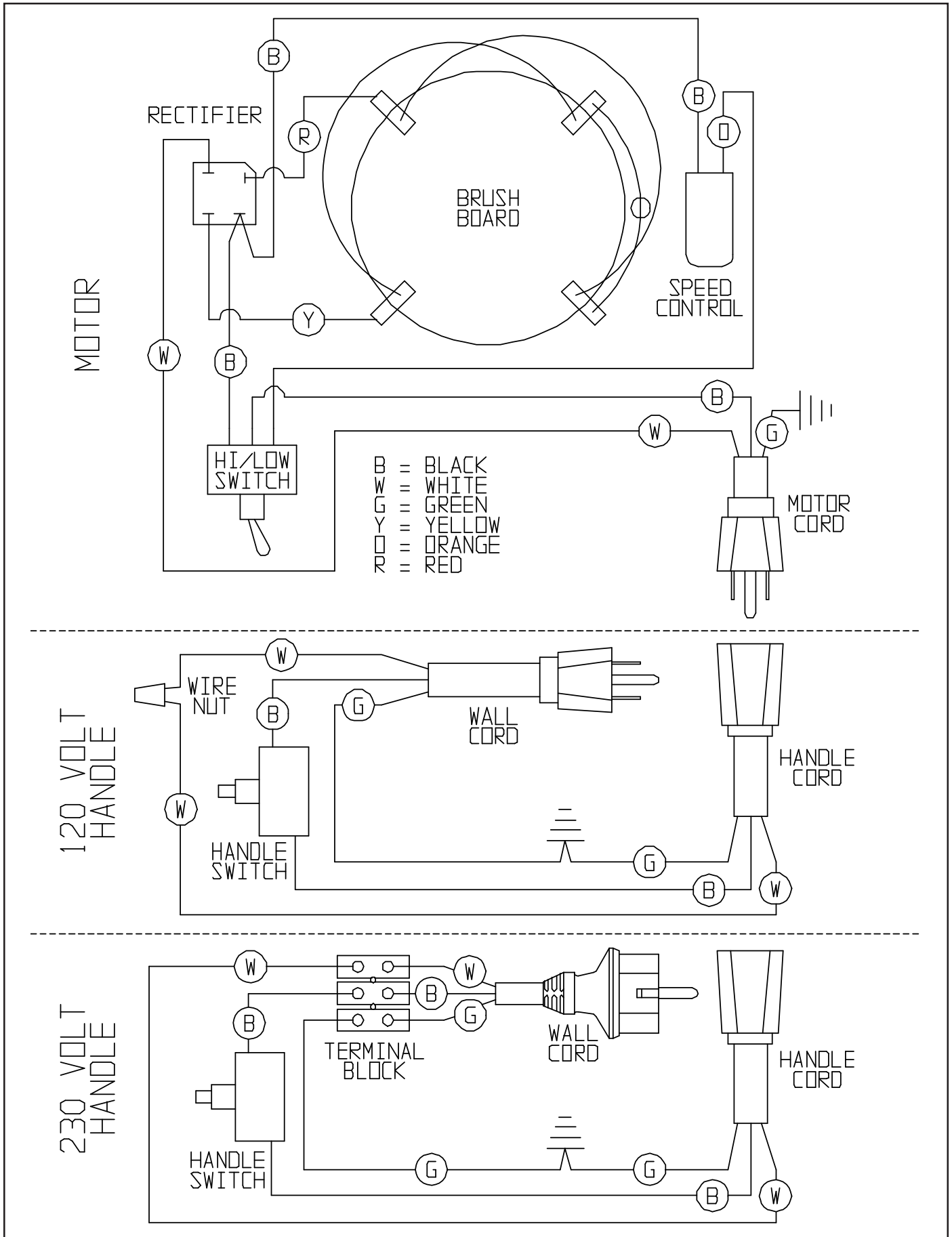


# MOTOR ASSEMBLY



<b>ITEM</b>	<b>PART NO.</b>	<b>PART DESCRIPTION</b>	<b>QTY.</b>
301	0395001	COMMUTATOR BRACKET COVER - CHROMATE	1
302	0394981	COMMUTATOR BRACKET ASSEMBLY 120 VOLT - INCLUDES:	1
	0394991	COMMUTATOR BRACKET ASSEMBLY 230 VOLT - INCLUDES:	1
302	5992111	COMMUTATOR BRACKET	1
302A	5492741	RECTIFIER - 120 VOLT	1
	5992121	RECTIFIER - 230 VOLT	1
302B	0394961	SPEED SELECTOR SWITCH	1
	0394971	SPEED SELECTOR PLATE	1
	0693141	RUBBER SWITCH BOOT	1
302C	0393621	PLUG / CORD COVER - MOTOR	1
302D	0394581	MOTOR CORD	1
302E	5991611	BRUSH BOARD ASSEMBLY - 120 VOLT - INCLUDES:	1
	5992071	BRUSH BOARD ASSEMBLY - 230 VOLT - INCLUDES:	1
302E1	2393241	CARBON BRUSH - 120 & 230 VOLT	4
302E2	2797571	BRUSH SPRING	4
302F	5992091	SPEED CONTROL - 120 VOLT	1
	5992101	SPEED CONTROL - 230 VOLT	1
303	5991521	STATOR FRAME ASSEMBLY W/CLIPS & MAG - 120 & 230 VOLT	1
304	5991701	THRU BOLTS	2
305	5991741	HELICAL WASHER	1
306	5992031	ARMATURE ASSEMBLY - 120 VOLT - INCLUDES:	1
	5992041	ARMATURE ASSEMBLY - 230 VOLT - INCLUDES:	1
	5991551	BEARING - TOP END	1
307	5992081	GEARBOX W/ENDSHIELD & FLEX COUPLING	1
	5095301	FLEXIBLE COUPLING	1

# WIRE DIAGRAM



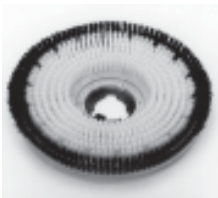
## ACCESSORIES



- 2890101 PLASTIC CLUTCH PLATE - 5" DIAMETER - 6 HOLES
- 2890981 PLASTIC CLUTCH PLATE - 4" DIAMETER - 3 HOLES
- 2890991 ALUMINUM CLUTCH PLATE - 5" DIAMETER - 6 HOLES
- 2893001 ALUMINUM CLUTCH PLATE - 4" DIAMETER - 3 HOLES

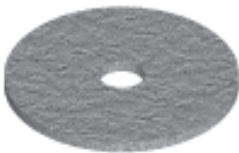


- 2897551 17" H.S. PAD DRIVER (DS MACHINE)
- 2897211 17" POLY BACK TUFTED PAD DRIVER
- 2897601 17" STRUCTURAL FOAM PAD DRIVER
- 2897201 17" POLY BACK NYLON FILL SCRUB BRUSH - LIGHT TO MEDIUM SCRUB
- 2897711 17" POLY BACK NYLON GRIT FILL SCRUB BRUSH - HEAVY CONCRETE SCRUB
- 2897821 17" POLY BACK NYLON - SOFT SCRUB BRUSH - CARPET ONLY
- 2897901 17" POLY BACK SCRUB GRIT BRUSH - MILD TO MEDIUM SCRUB



- 2892551 20" H.S. PAD DRIVER (DS MACHINE)
- 2892211 20" POLY BACK TUFTED PAD DRIVER
- 2892601 20" STRUCTURAL FOAM PAD DRIVER
- 2892201 20" POLY BACK NYLON FILL SCRUB BRUSH - LIGHT TO MEDIUM SCRUB
- 2892651 20" POLY BACK NYLON FILL SCRUB BRUSH - WITH GUIDE FOR CARPET SHAMPOOING
- 2892711 20" POLY BACK NYLON GRIT FILL SCRUB BRUSH - HEAVY CONCRETE SCRUB
- 2892031 20" PLASTIC BACK BASSINE SCRUB BRUSH - GENERAL SCRUB
- 2892701 20" POLY BRUSH - SHOWER FEED - STANDARD CARPET SCRUB
- 2892901 20" POLY BACK SCRUB GRIT BRUSH - MILD TO MEDIUM SCRUB

- NOTE: ALL PADS COME 5 (FIVE) PADS PER CASE
- 7991751 17" LITE BLUE POLISH/BURNISH PAD - SOFT FINISH
  - 7991741 17" UHS CLEAN BUFF PAD - REMOVE SCUFF MARKS NOT FINISH
  - 7991731 17" BLUE SCRUB PAD - TOP SCRUB AND LIGHT FINISH REMOVAL
  - 7991721 17" GREEN SCRUB PAD - HEAVY FINISH REMOVAL
  - 7991701 17" BLACK STRIP PAD - REMOVES FINISH COMPLETELY
  - 7992051 20" LITE BLUE POLISH/BURNISH PAD - SOFT FINISH
  - 7992041 20" UHS CLEAN BUFF PAD - REMOVE SCUFF MARKS NOT FINISH
  - 7992031 20" BLUE SCRUB PAD - TOP SCRUB AND LIGHT FINISH REMOVAL
  - 7992021 20" GREEN SCRUB PAD - HEAVY FINISH REMOVAL
  - 7992001 20" BLACK STRIP PAD - REMOVES FINISH COMPLETELY
  - 7992011 20" BROWN STRIP PAD - REMOVES FINISH COMPLETELY



- 2890201 SPRAY BUFF APPLICATOR - PUMP UP TYPE

- 5094771 DELUXE SOLUTION TANK - 3.5 GALLON WITH BRASS VALVES



### TAMPER PROOF HARDWARE

ITEM #	PART #	DESCRIPTION
153	9120833	M5 X .08 X 20mm PAN HEAD PHILLIPS MACHINE SCREW - PK OF 2
201	9120755	10-32 X 1/2 TRUSS HEAD SCREW - PACK OF 1
209	9121685	5/16-18 X 1 HEX BOLT - PACK OF 8
211	9121685	5/16-18 X 1 HEX BOLT - PACK OF 8
216	9121685	5/16-18 X 1 HEX BOLT - PACK OF 8
227	9122003	3/8-16 HEX NUT - PACK OF 1
230	9121423	5/16-18 HEX NUT - PACK OF 2
235	9121850	5/16-18 X 2.5 HEX BOLT - PACK OF 1
239	9121423	5/16-18 HEX NUT - PACK OF 2