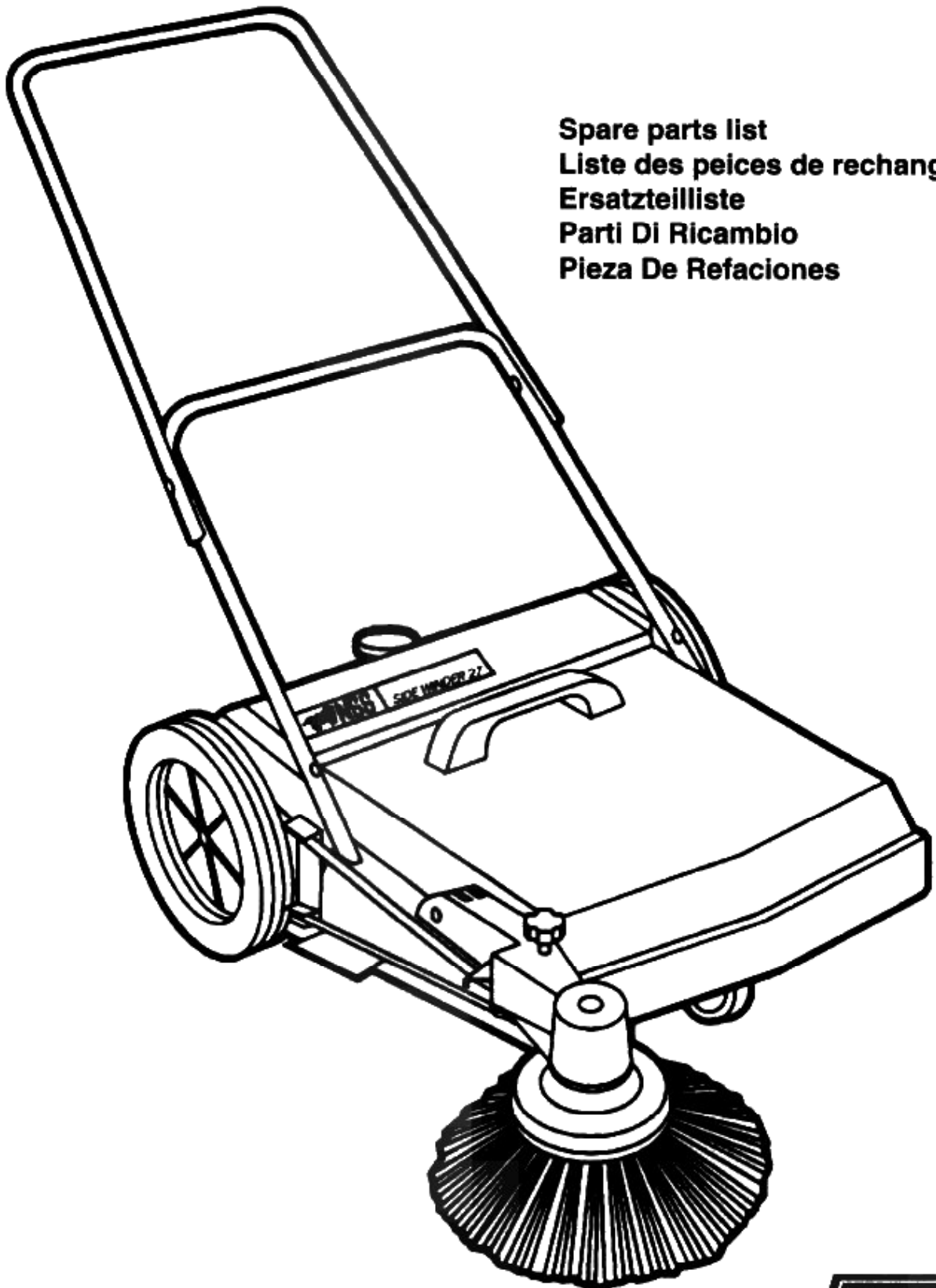
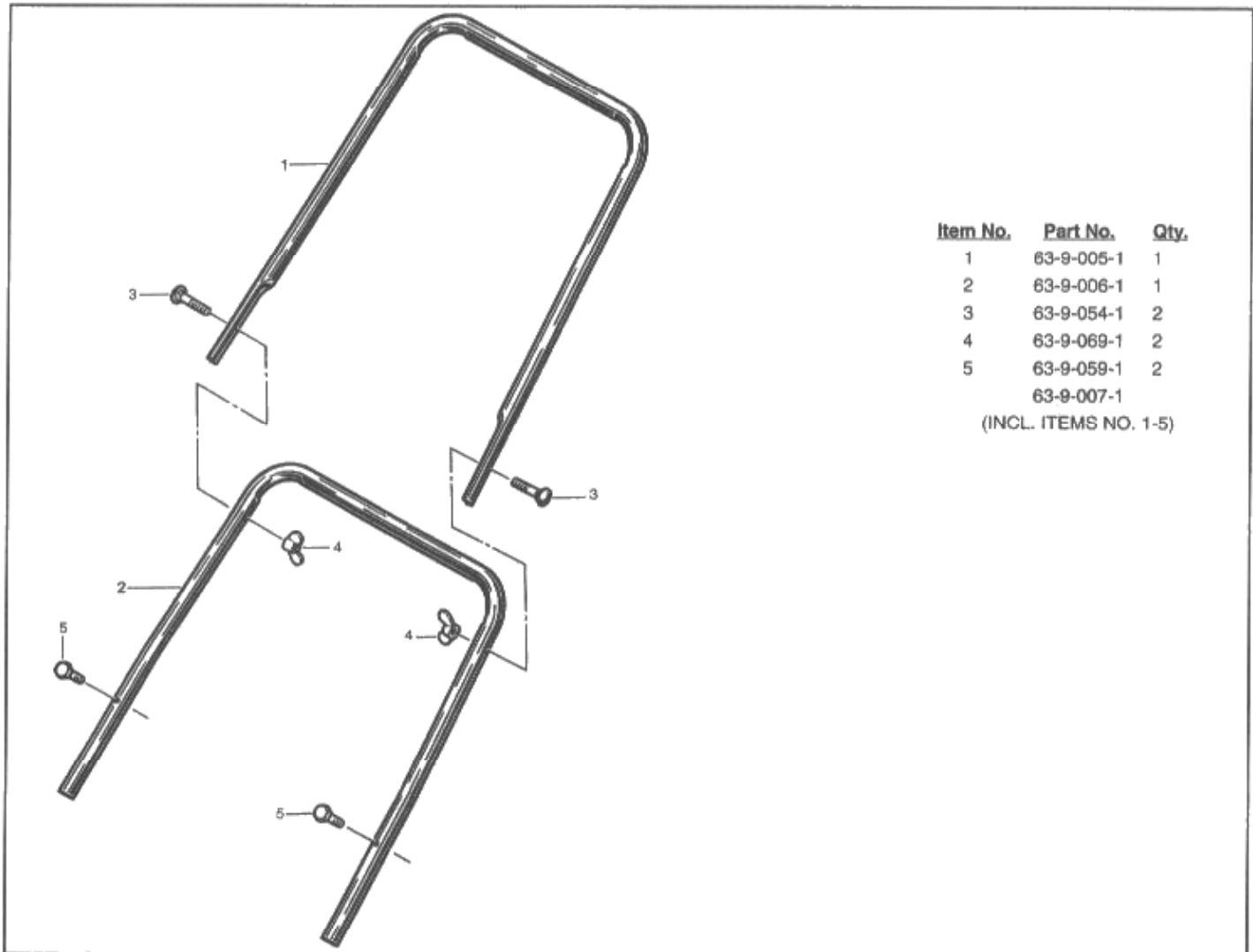


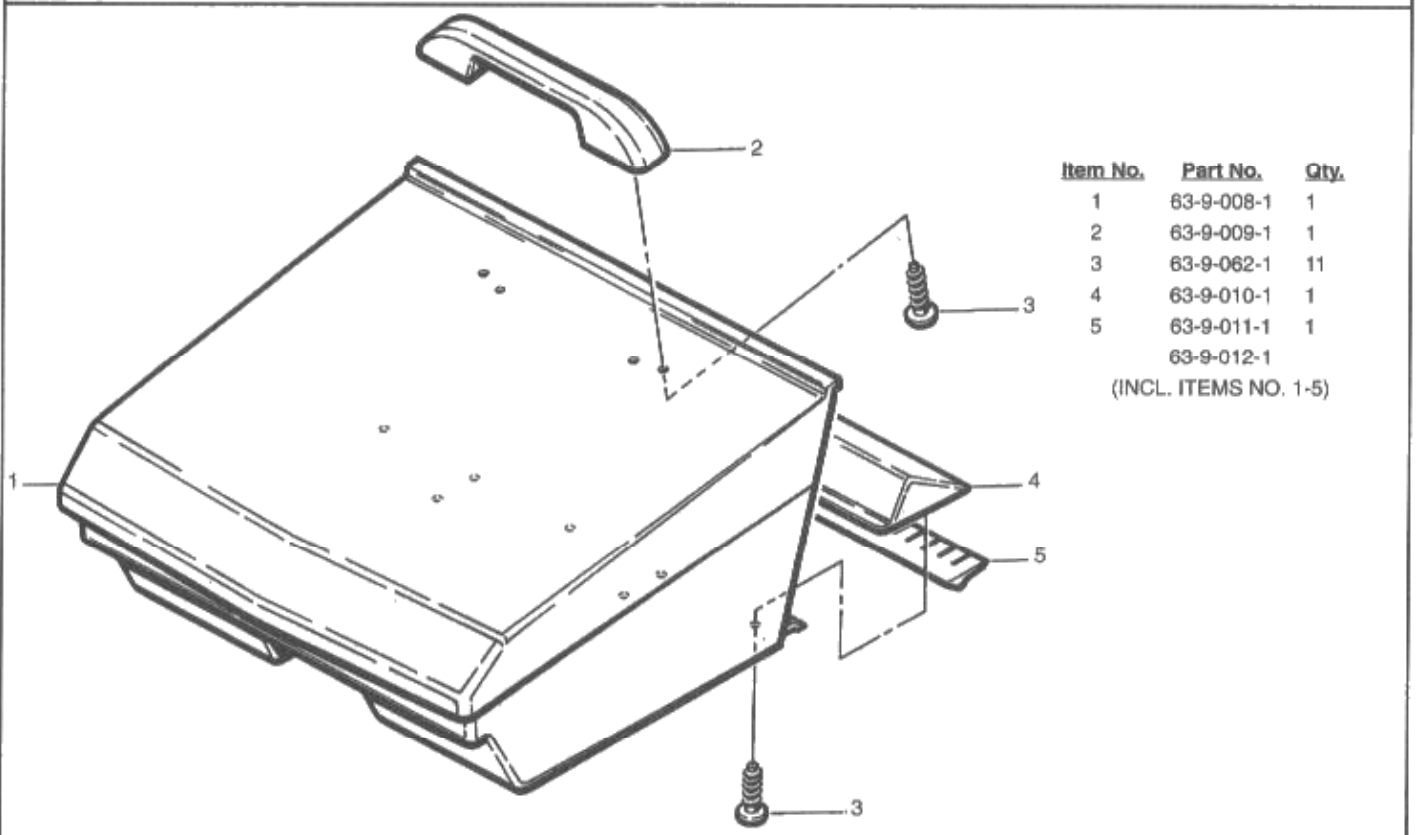
# SIDEWINDER 27

**Spare parts list**  
**Liste des peices de rechange**  
**Ersatzteilliste**  
**Parti Di Ricambio**  
**Pieza De Refaciones**

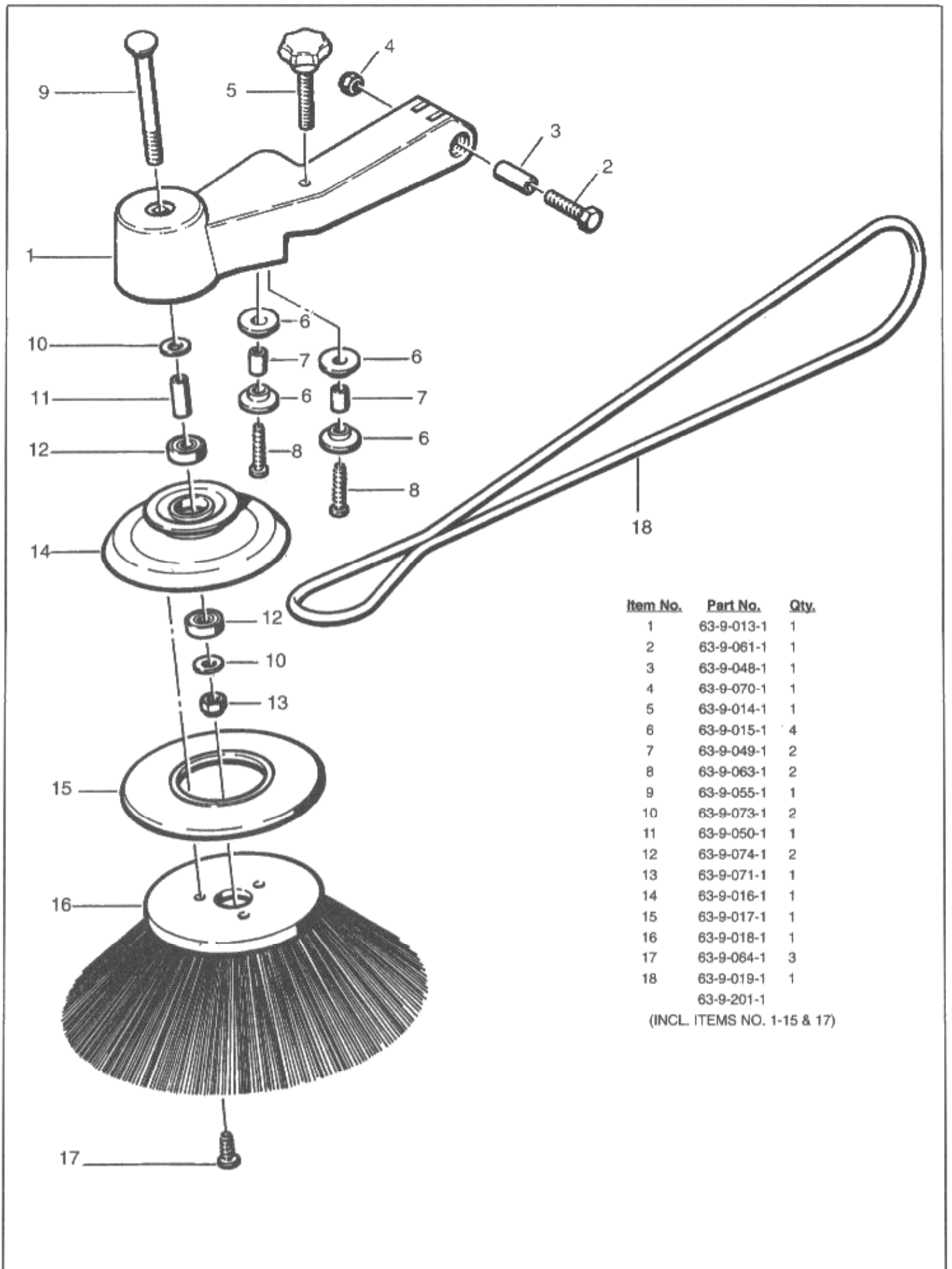




Item No.	Part No.	Qty.
1	63-9-005-1	1
2	63-9-006-1	1
3	63-9-054-1	2
4	63-9-069-1	2
5	63-9-059-1	2
	63-9-007-1	
(INCL. ITEMS NO. 1-5)		

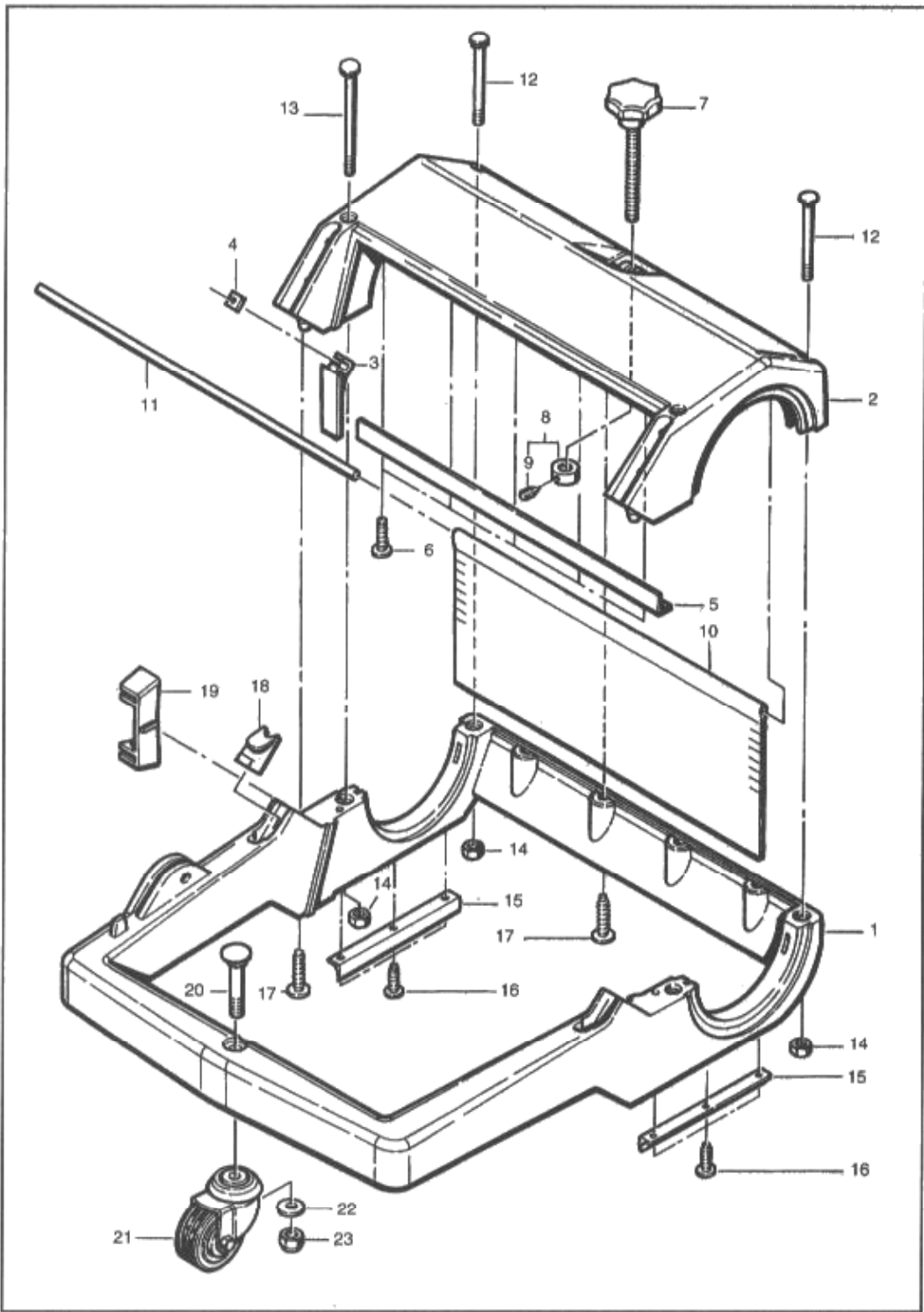


Item No.	Part No.	Qty.
1	63-9-008-1	1
2	63-9-009-1	1
3	63-9-062-1	11
4	63-9-010-1	1
5	63-9-011-1	1
	63-9-012-1	
(INCL. ITEMS NO. 1-5)		

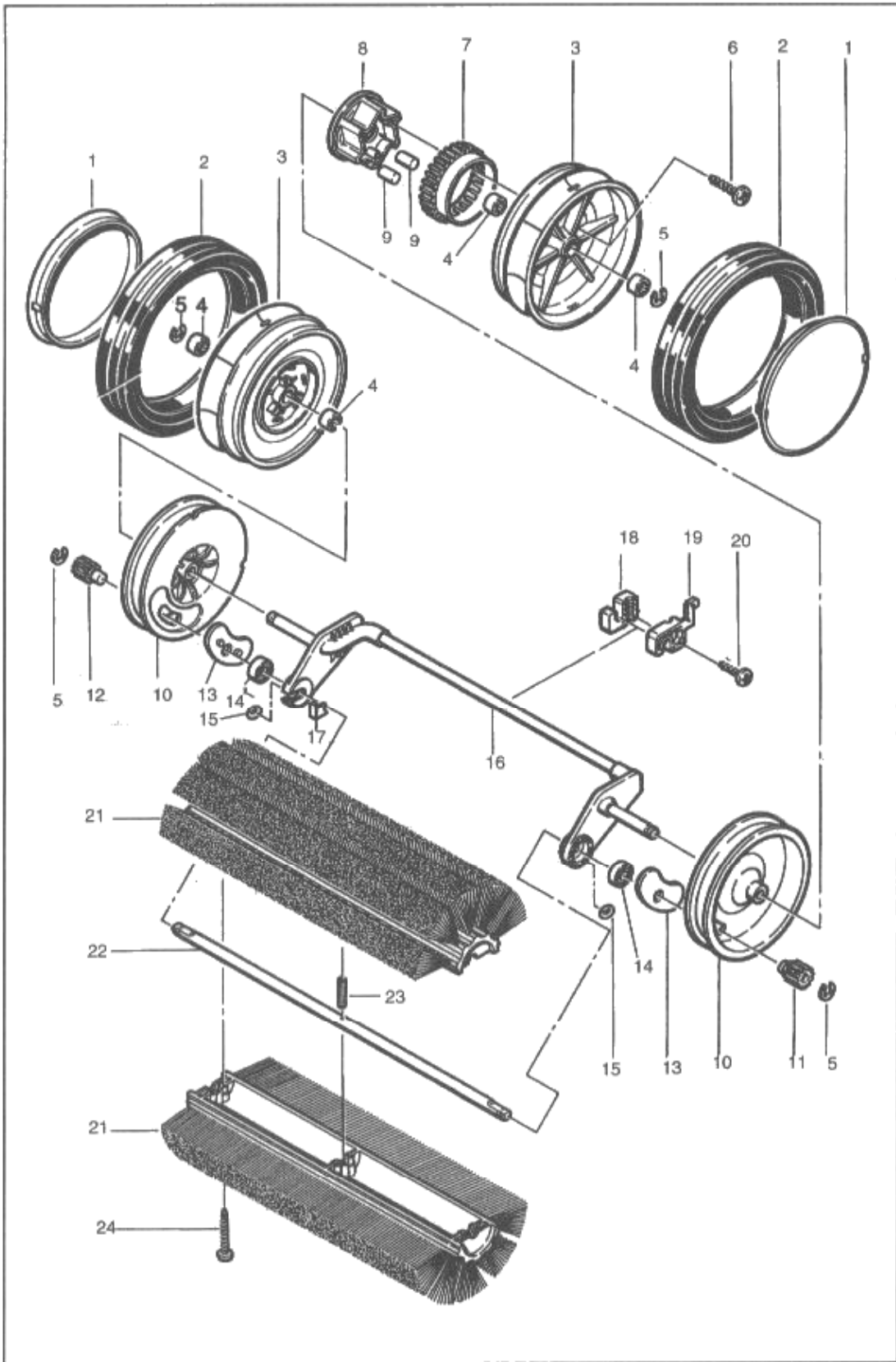


Item No.	Part No.	Qty.
1	63-9-013-1	1
2	63-9-061-1	1
3	63-9-048-1	1
4	63-9-070-1	1
5	63-9-014-1	1
6	63-9-015-1	4
7	63-9-049-1	2
8	63-9-063-1	2
9	63-9-055-1	1
10	63-9-073-1	2
11	63-9-050-1	1
12	63-9-074-1	2
13	63-9-071-1	1
14	63-9-016-1	1
15	63-9-017-1	1
16	63-9-018-1	1
17	63-9-064-1	3
18	63-9-019-1	1
	63-9-201-1	

(INCL. ITEMS NO. 1-15 & 17)



Item No.	Part No.	Qty.
1	63-9-021-1	1
2	63-9-022-1	1
3	63-9-023-1	2
4	63-9-072-1	2
5	63-9-024-1	1
6	63-9-062-1	5
7	63-9-025-1	1
8	63-9-051-1	1
(INCL. ITEMS NO. 8 & 9)		
9	63-9-075-1	1
10	63-9-026-1	1
11	63-9-027-1	1
12	63-9-056-1	2
13	63-9-057-1	2
14	63-9-060-1	4
15	63-9-028-1	2
16	63-9-062-1	6
17	63-9-065-1	6
18	63-9-029-1	2
19	63-9-030-1	1
20	63-9-058-1	1
21	63-9-031-1	1
22	63-9-073-1	1
23	63-9-071-1	1



Item No.	Part No.
	63-9-032-1
	(INCL. ITEMS NO.
1	63-9-033-1
2	63-9-034-1
3	63-9-035-1
4	63-9-052-1
5	63-9-076-1
6	63-9-066-1
7	63-9-053-1
8	63-9-036-1
9	63-9-037-1
10	63-9-038-1
11	63-9-039-1
12	63-9-040-1
13	63-9-041-1
14	63-9-074-1
15	63-9-077-1
16	63-9-042-1
17	63-9-043-1
18	63-9-044-1
19	63-9-045-1
20	63-9-067-1
21	63-9-046-1
22	63-9-047-1
23	63-9-078-1
24	63-9-068-1

**The National Super Service Company  
European Distribution Centre**

Unit II, Pinfold Trading Estate • 55 Nottingham Road  
STAPLEFORD, NOTTINGHAM NG9 8AD ENGLAND U.K.

PHONE: (44) 0115 939 1568 • FAX: (44) 0115 949 0615



**THE NATIONAL SUPER SERVICE COMPANY**

3115 FRENCHMENS ROAD, TOLEDO, OHIO 43607-2958

PHONE (419) 531-2121 • FAX (419) 531-3761