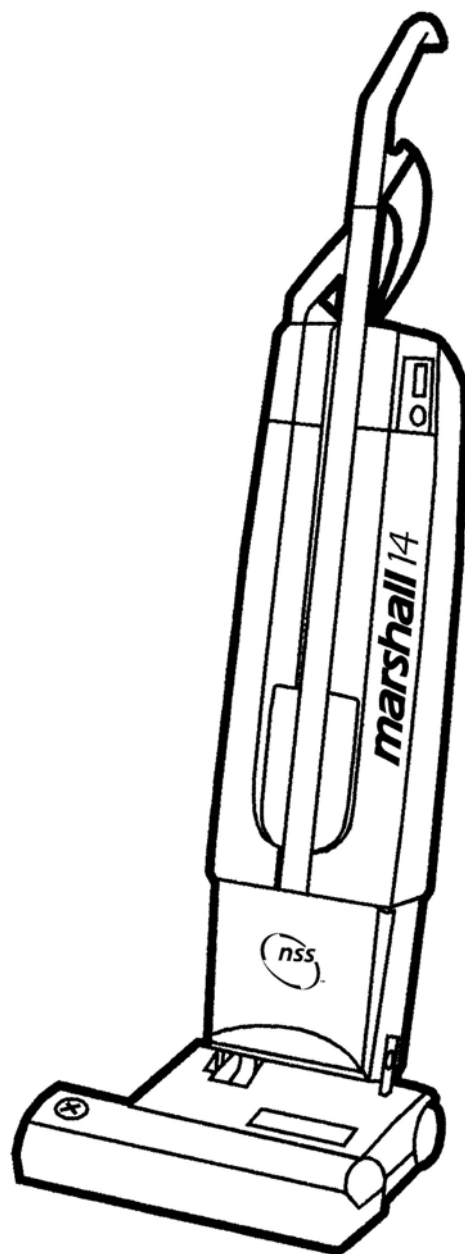


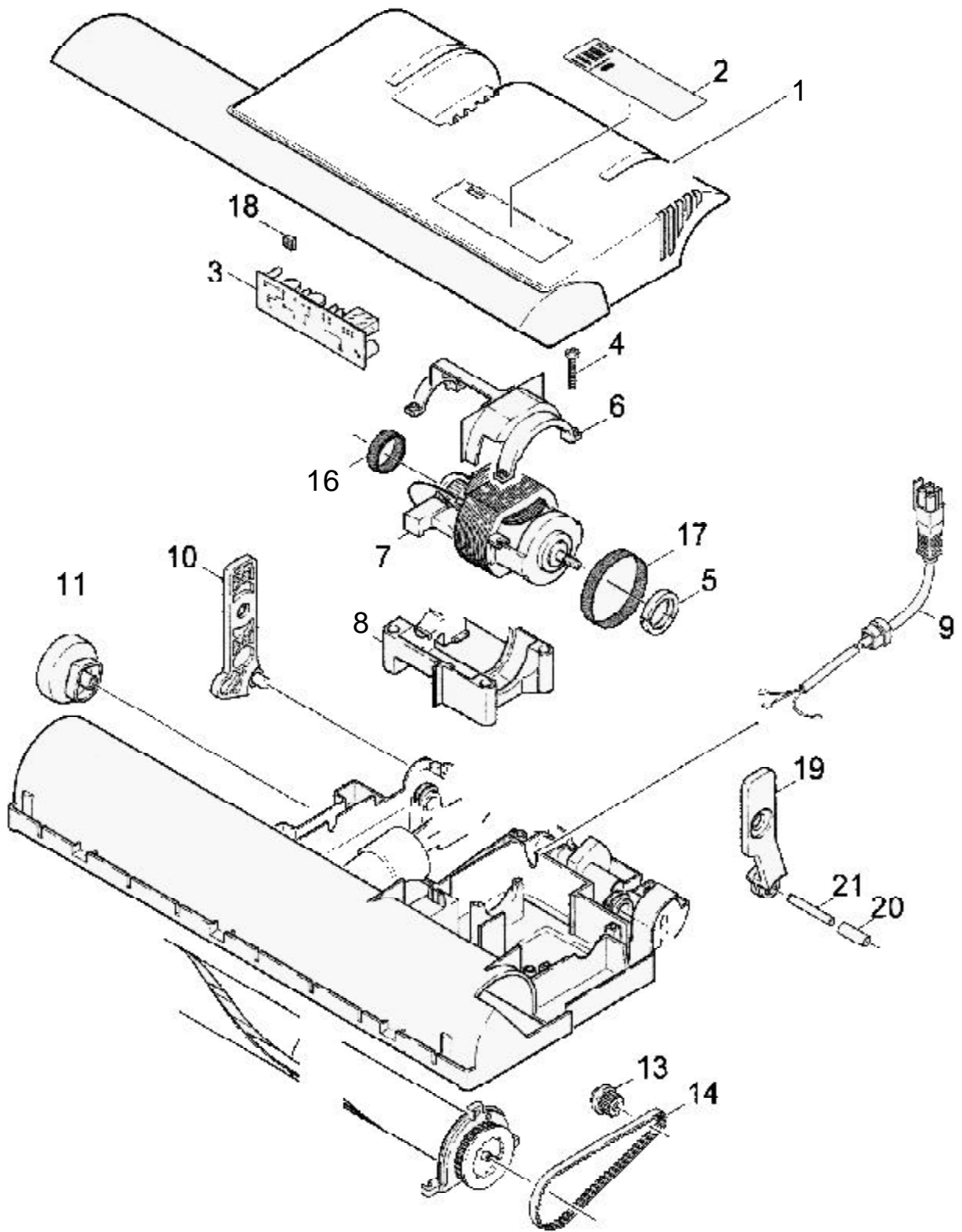
MARSHALL 14 & 18



BRUSH HEAD - TOP PART

| ITEM | PART NO. | DESCRIPTION | QTY. |
|-------------|-----------------|---|-------------|
| | 7292821 | BRUSH HEAD ASSEMBLY COMPLETE - 115 VOLT - MARSHALL 14 | 1 |
| | 7293121 | BRUSH HEAD ASSEMBLY COMPLETE - 115 VOLT - MARSHALL 18 | 1 |
| 1 | 7292801 | TOP COVER - MARSHALL 14 | 1 |
| | 7293131 | TOP COVER - MARSHALL 18 | 1 |
| 2 | 7292811 | DECAL - MARSHALL 14 | 1 |
| | 7293141 | DECAL - MARSHALL 18" | 1 |
| 3 | 6890611 | P.C. BOARD - 115 VOLT - MARSHALL 14 | 1 |
| | 7292151 | P.C. BOARD - 115 VOLT - MARSHALL 18 | 1 |
| | 6890601 | P.C. BOARD - 100 VOLT | 1 |
| 4 | 6891061 | M4 X 16 OVAL HEAD SCREW | 4 |
| | 6891111 | M4.3 WASHER - NOT SHOWN - MARSHALL 14 | 4 |
| 5 | 7293161 | RING - MARSHALL 18 ONLY | 1 |
| 6 | 6890941 | GUARD - BRUSH MOTOR - MARSHALL 14 | 1 |
| | 7293171 | GUARD - BRUSH MOTOR - MARSHALL 18 | 1 |
| 7 | 6890651 | BRUSH MOTOR - 115 VOLT - MARSHALL 14 | 1 |
| | 7293181 | BRUSH MOTOR - 115 VOLT - MARSHALL 18 | 1 |
| | 6890641 | BRUSH MOTOR - 100 VOLT - MARSHALL 14 | 1 |
| | 7292081 | CARBON BRUSH 115 VOLT - MARSHALL 14 & 18 | 1 |
| 8 | 6890631 | GUARD - BRUSH MOTOR - MARSHALL 14 | 1 |
| 9 | 7292841 | CORD - BRUSH MOTOR | 1 |
| | 6891181 | PLUG RETAINING FINGER - NOT SHOWN | 1 |
| 10 | 6890691 | SUPPORT ARM - RIGHT | 1 |
| 11 | 6890721 | KNOB - HEIGHT ADJUSTMENT | 1 |
| 13 | 6890731 | PULLEY - BRUSH MOTOR | 1 |
| 14 | 6890741 | BELT - TIMING - 6mm - MARSHALL 14 | 1 |
| | 7293201 | BELT - TIMING - 8mm - MARSHALL 18 | 1 |
| 16 | 7293211 | SMALL JOINT RING - MARSHALL 18 ONLY | 1 |
| 17 | 7293221 | LARGE JOINT RING - MARSHALL 18 ONLY | 1 |
| 18 | 6891141 | RUBBER BAND | 1 |
| 19 | 7292991 | SUPPORT ARM - LEFT | 1 |
| 20 | 6892181 | BUSHING - ARM | 1 |
| 21 | 7292191 | PIN - ARM SUPPORT - MARSHALL 14 | 1 |
| | 7293241 | PIN - ARM SUPPORT - MARSHALL 18 | 1 |
| NOT SHOWN | | | |
| | 7293391 | "DO NOT STEP" LABEL | 1 |

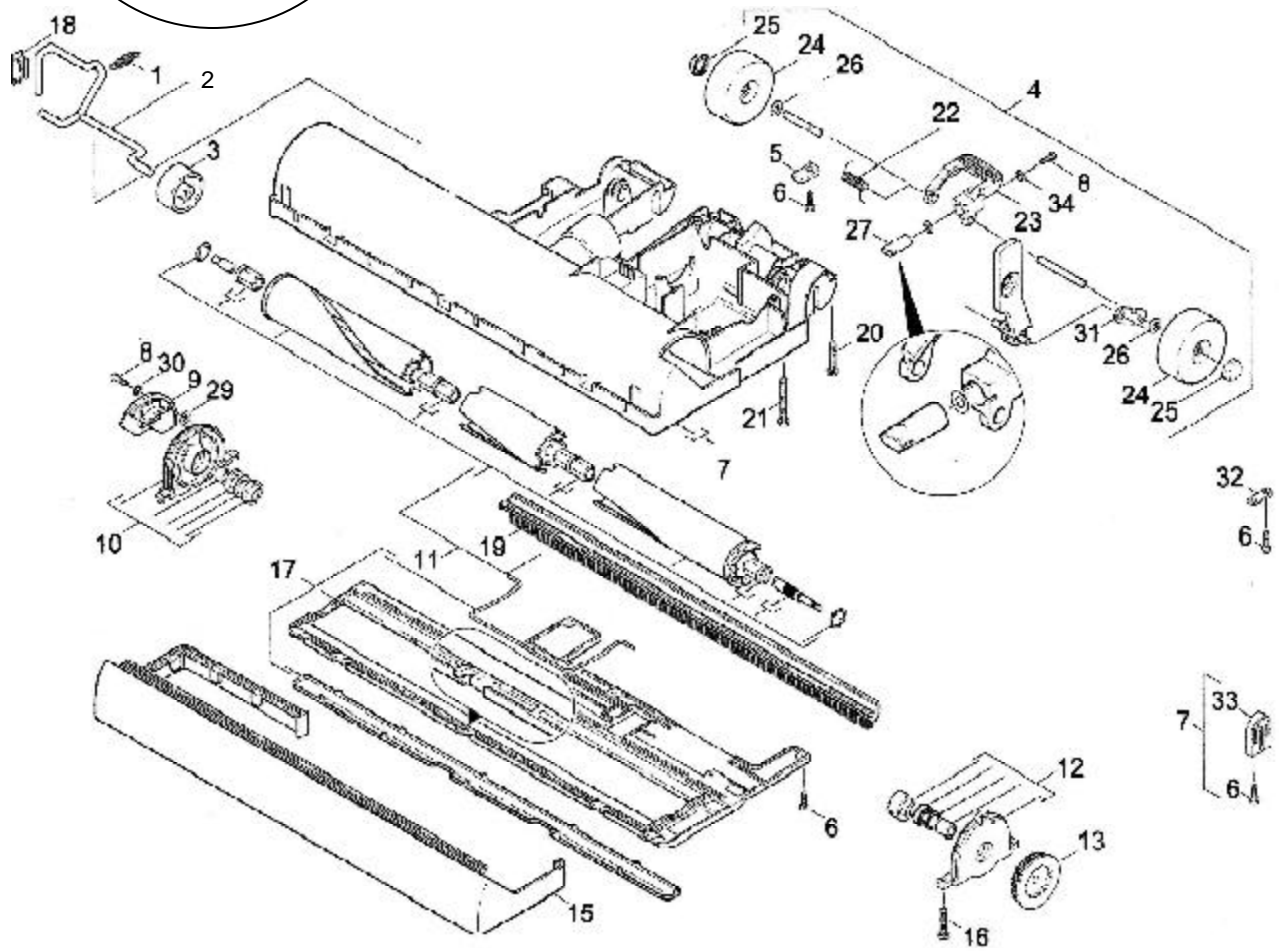
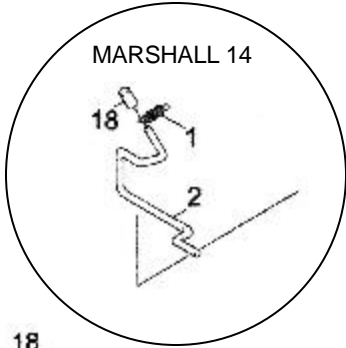
BRUSH HEAD - TOP PART



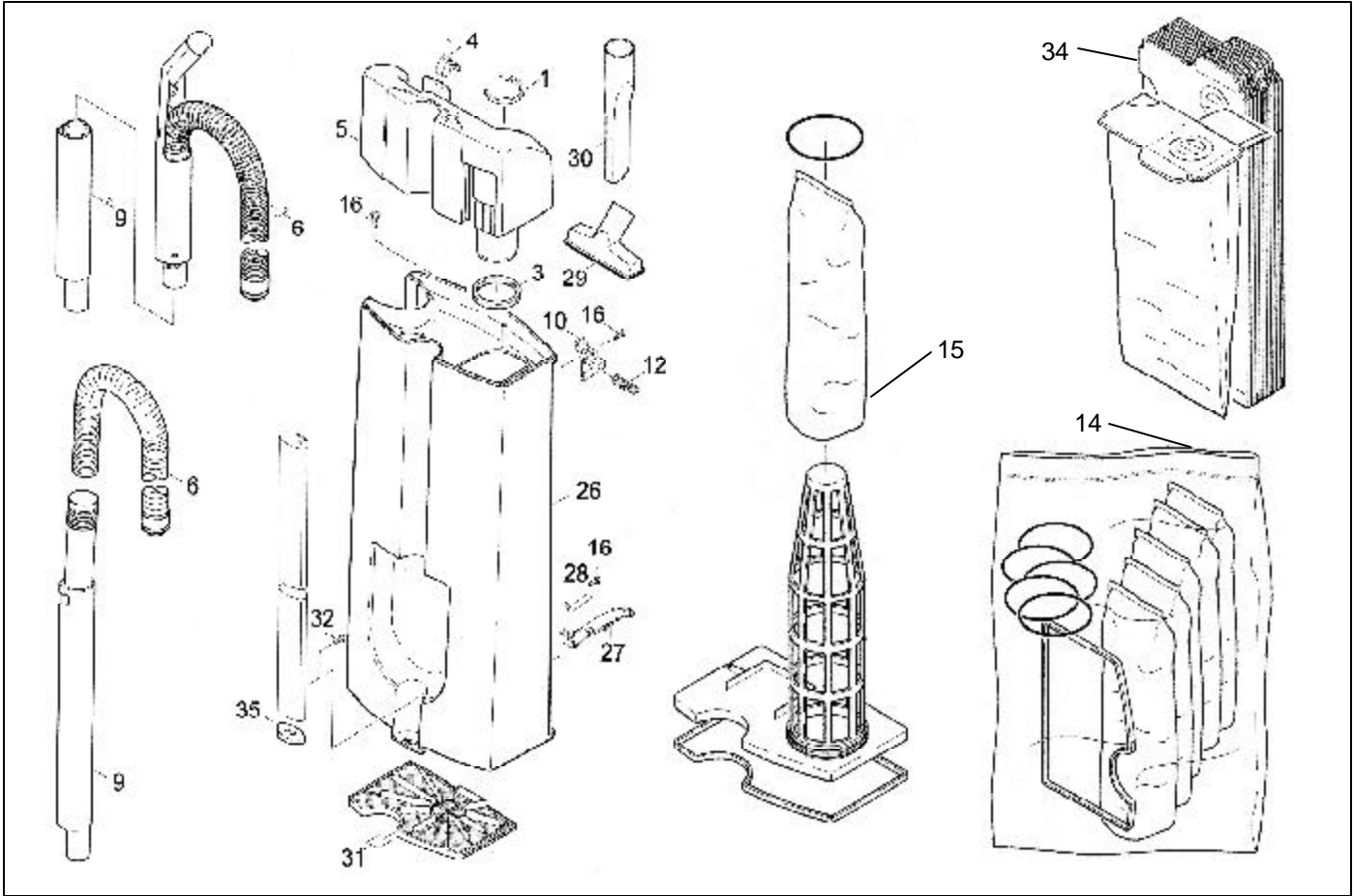
BRUSH HEAD - BOTTOM PART

| ITEM | PART NO. | DESCRIPTION | QTY. |
|------|----------|--|------|
| | 7292821 | BRUSH HEAD ASSEMBLY COMPLETE - 115 VOLT - MARSHALL 14 | 1 |
| | 7293121 | BRUSH HEAD ASSEMBLY COMPLETE 115 VOLT - MARSHALL 18 | 1 |
| 1 | 6890871 | SPRING - EXTENSION | 1 |
| 2 | 6890851 | AXLE - HEIGHT ADJUSTMENT - MARSHALL 14 | 1 |
| | 7293261 | AXLE - HEIGHT ADJUSTMENT - MARSHALL 18 | 1 |
| 3 | 6890861 | WHEEL - HEIGHT ADJUSTMENT | 1 |
| 4 | 7293001 | AXLE AND PEDAL ASSEMBLY - MARSHALL 14 | 1 |
| | 7293279 | AXLE AND PEDAL ASSEMBLY - MARSHALL 18 | 1 |
| 5 | 6890901 | CLIP - AXLE RETAINER | 2 |
| 6 | 7293081 | M3.5 X 13 SCREW | 12 |
| 7 | 7292831 | BOTTOM HOUSING - MARSHALL 14 | 1 |
| | 7293281 | BOTTOM HOUSING - MARSHALL 18 | 1 |
| 8 | 7293091 | M4 X 8 SCREW | 2 |
| 9 | 6890791 | COVER - END PLATE | 1 |
| 10 | 6890801 | END PLATE ASSEMBLY WITH BEARING | 1 |
| 11 | 6890761 | ROLLER BRUSH ASSEMBLY - MARSHALL 14 | 1 |
| | 7293291 | ROLLER BRUSH ASSEMBLY - MARSHALL 18 | 1 |
| 12 | 6890811 | END PLATE ASSEMBLY - PULLEY END | 1 |
| 13 | 6890751 | BRUSH PULLEY | 1 |
| 15 | 7292861 | BUMPER - MARSHALL 14 | 1 |
| | 7293301 | BUMPER - MARSHALL 18 | 1 |
| 16 | 6891061 | M4 X 16 OVAL HEAD SCREW | 4 |
| 17 | 7292871 | BRUSH SHOE - MARSHALL 14 | 1 |
| | 7293311 | BRUSH SHOE - MARSHALL 18 | 1 |
| 18 | 6890881 | BUSHING (SLEEVE) - MARSHALL 14 | 1 |
| | 7293321 | CLIP - HEIGHT ADJUSTMENT - MARSHALL 18 | 1 |
| 19 | 6890781 | BRUSH STRIP - BLACK - MARSHALL 14 | 1 |
| | 6890771 | BRUSH STRIP - RED / HARD - MARSHALL 14 | 1 |
| | 7293331 | BRUSH STRIP - BLACK - MARSHALL 18 | 1 |
| | 7293341 | BRUSH STRIP - RED / HARD - MARSHALL 18 | 1 |
| 20 | 6891091 | M5 X 16 OVAL HEAD TORX SCREW | 1 |
| 21 | 7292211 | M5 X 30 PAN HEAD TORX SCREW | 3 |
| 22 | 7293031 | FOOT PEDAL SPRING | 1 |
| 23 | 7293011 | FOOT PEDAL | 1 |
| 24 | 6890911 | WHEEL | 2 |
| 25 | 6891131 | WHEEL RETAINER | 2 |
| 26 | 7292281 | 6.4 I.D. X 11.7 O.D. X 16 THICK FLAT WASHER - WHEEL AXLE | 2 |
| 27 | 7293021 | BRASS LOCKING SCREW | 1 |
| 29 | 7292261 | PLASTIC WASHER | 1 |
| 30 | 7292271 | M4.4 EXTERNAL STAR LOCK WASHER | 1 |
| 31 | 7292971 | AXLE SUPPORT LINK | 1 |
| 32 | 7292961 | AXLE CLIP | 1 |
| 33 | 7292981 | AXLE SUPPORT BLOCK | 1 |
| 34 | 7293111 | M4 WASHER | 1 |

BRUSH HEAD - BOTTOM PART

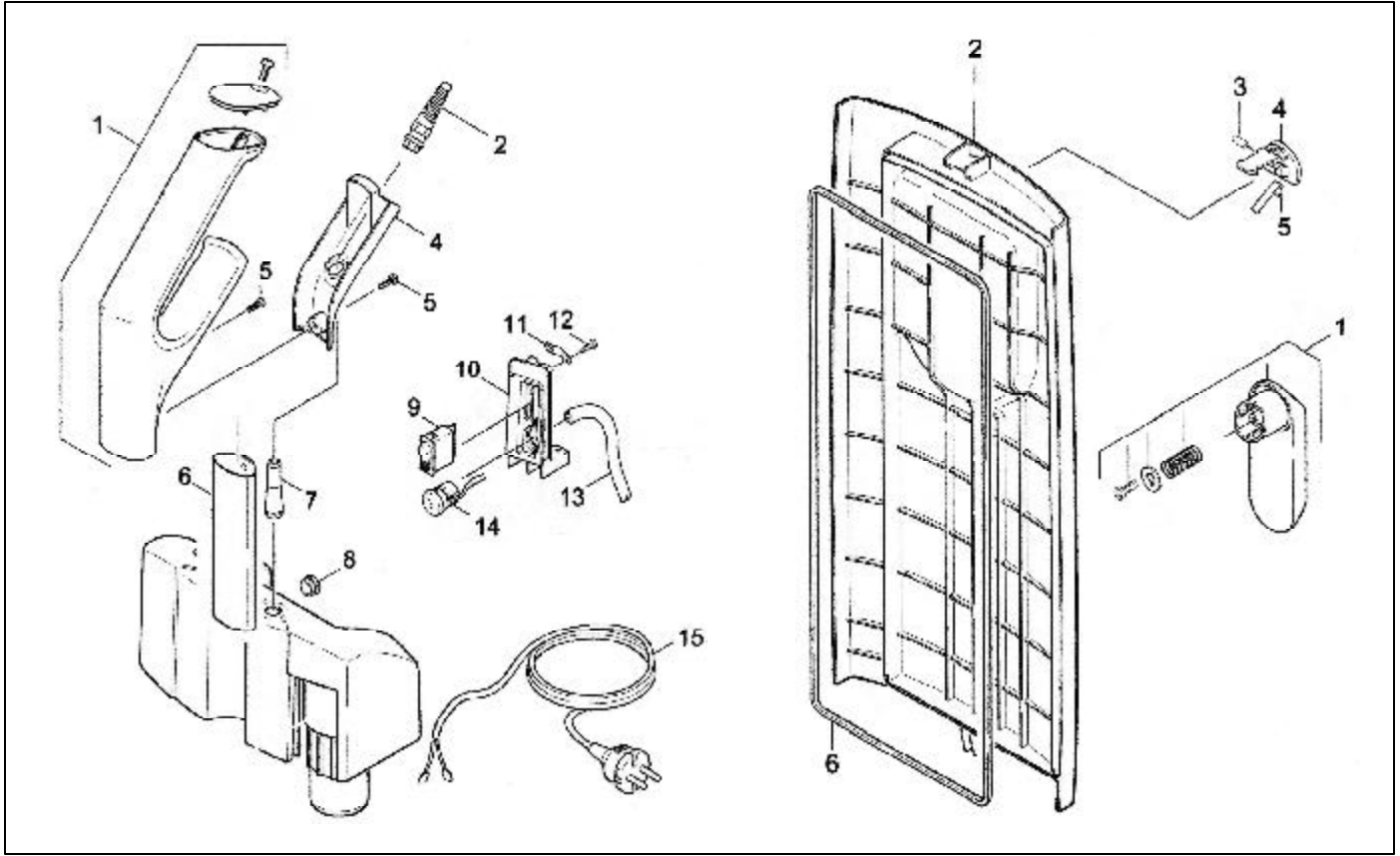


VAC HOUSING



| ITEM | PART NO. | DESCRIPTION | QTY. |
|-----------|----------|--|------|
| 1 | 6890011 | RETAINING SPRING - HOSE | 1 |
| 3 | 6890101 | SEAL - TANK | 1 |
| 4 | 6890081 | CLIP - UPHOLSTERY NOZZLE | 1 |
| 5 | 7292751 | HOUSING UPPER | 1 |
| 6 | 6890051 | SUCTION HOSE WITH UPPER TUBE HANDLE | 1 |
| | 6890021 | SUCTION HOSE ONLY | 1 |
| 9 | 6890031 | LOWER SUCTION TUBE | 1 |
| 10 | 6890121 | SAFETY STOP | 1 |
| 12 | 6890131 | SPRING - SAFETY STOP | 1 |
| 14 | 6892011 | MICRO FILTER BAGS - 5 PACK | 1 |
| 15 | 6890171 | FILTER - MICRO - ACCESSORY | 1 |
| 16 | 6891031 | M4 X 12 ROUND WASHER HEAD THREAD CUTTING SCREW | 4 |
| 26 | 7292761 | HOUSING - BAG | 1 |
| 27 | 6890141 | GUIDE - FILTER | 1 |
| 28 | 6890151 | SPRING - COMPRESSION | 1 |
| 29 | 6890251 | TOOL - UPHOLSTERY | 1 |
| 30 | 6890261 | TOOL - CREVICE | 1 |
| 31 | 6890161 | FILTER - SAFETY | 1 |
| 32 | 7293071 | M4 X 10 SCREW | 3 |
| 34 | 6890241 | FILTER BAG - 10 PACK | 1 |
| | 6892001 | CLOTH BAG - OPTIONAL ACCESSORY | 1 |
| 35 | 6890961 | STOP - HANDLE TUBE | 1 |
| NOT SHOWN | 7293361 | DUST BRUSH | 1 |
| | 7293351 | EXTENSION TUBE - OPTIONAL | 1 |

HANDLE AND DOOR



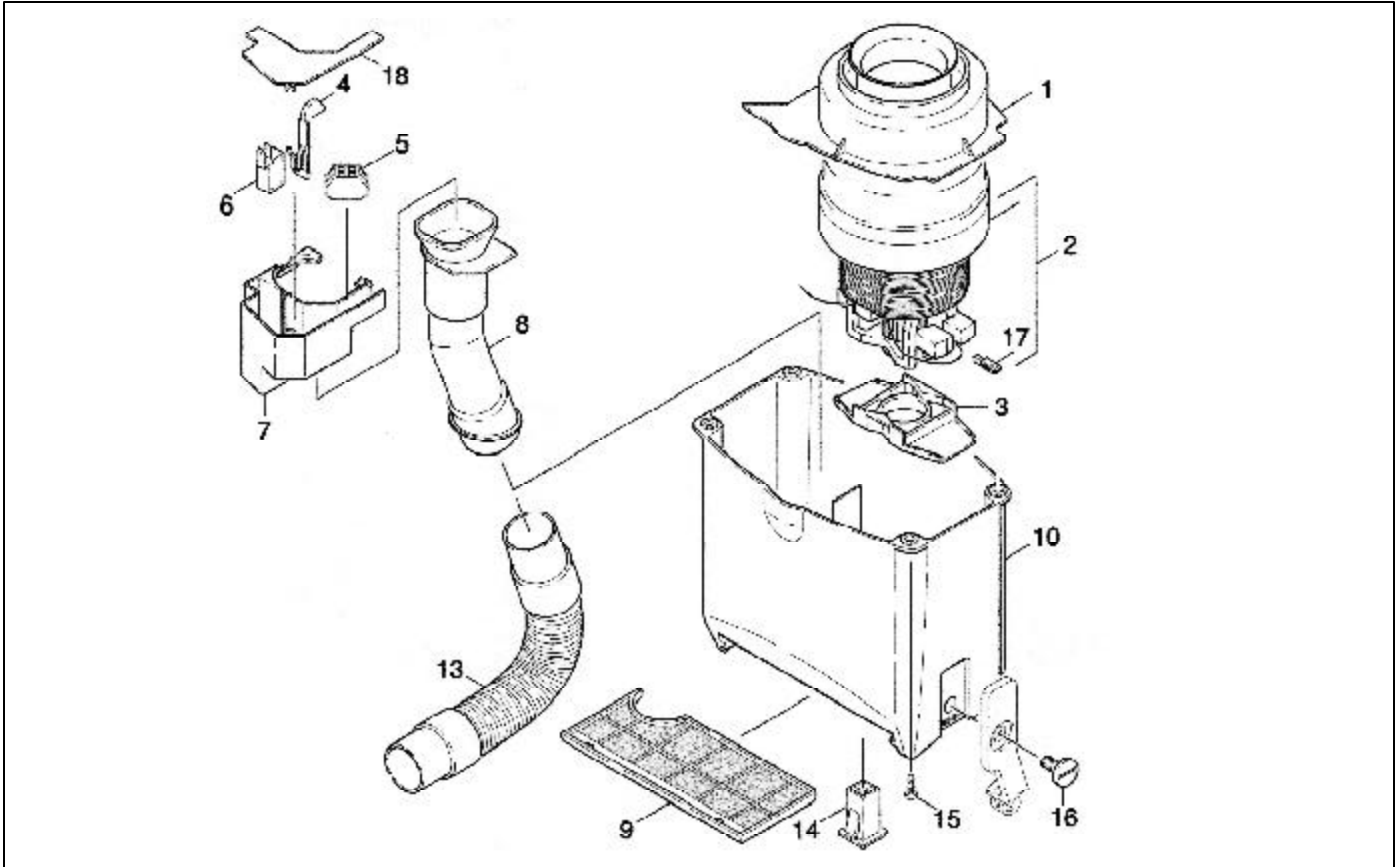
HANDLE

| ITEM | PART NO. | DESCRIPTION | QTY. |
|-----------|----------|---|------|
| 1 | 7292781 | HANDLE | 1 |
| 2 | 7292791 | STRAIN RELIEF | 1 |
| 4 | 7293041 | BACK - FOR ONE PIECE HANDLE | 1 |
| 5 | 7293071 | M4 X 10 SCREW | 2 |
| 6 | 7292901 | TUBE - HANDLE | 1 |
| 7 | 7292951 | BUSHING - CORD PROTECTION | 1 |
| 8 | 7292931 | CABLE BUSHING | 1 |
| 9 | 7292921 | SWITCH - ON / OFF | 1 |
| 10 | 7292881 | HOUSING - SWITCH AND LIGHT | 1 |
| 11 | 7293061 | WIRE RETAINER | 1 |
| 12 | 7293081 | M3.5 X 13 SCREW | 2 |
| 13 | 7292911 | HOSE - TO BAG FULL LIGHT | 1 |
| 14 | 6890301 | LIGHT - INDICATOR - BAG FULL - 115 VOLT | 1 |
| | 6892311 | LIGHT - INDICATOR - BAG FULL - 100 VOLT | 1 |
| 15 | 7292941 | WALL CORD - 3 WIRE - 115 VOLT | 1 |
| | 6892301 | WALL CORD - 3 WIRE - 100 VOLT | 1 |
| NOT SHOWN | 7292891 | INTERNAL WIRING | 1 |

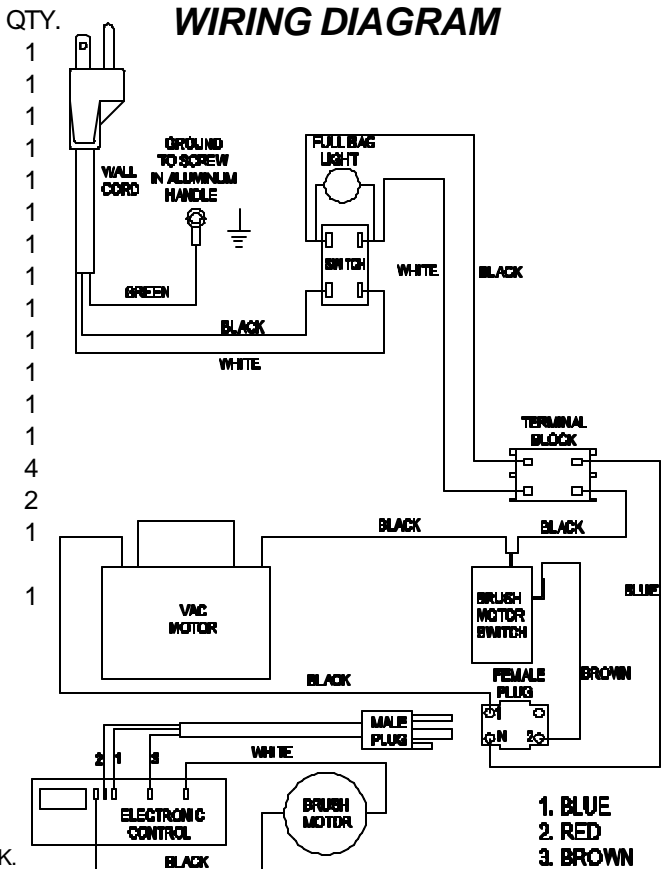
DOOR

| ITEM | PART NO. | DESCRIPTION | QTY. |
|------|----------|---|------|
| 1 | 6890181 | DOOR HANDLE ASSEMBLY | 1 |
| 2 | 7292771 | DOOR - COMPLETE WITH SEAL, LATCH AND HANDLE | 1 |
| 3 | 6890201 | PIN - GROOVED LATCH | 1 |
| 4 | 6890191 | LATCH - TANK DOOR | 1 |
| 5 | 6890211 | SPRING - LATCH | 1 |
| 6 | 6890231 | SEAL - TANK DOOR | 1 |

VAC MOTOR



| ITEM | PART NO. | DESCRIPTION |
|------|----------|---------------------------------|
| 1 | 7292111 | SEAL - VAC MOTOR |
| 2 | 7292131 | VACUUM MOTOR 115 VOLT |
| | 6890401 | VACUUM MOTOR 100 VOLT |
| 3 | 7292121 | MOTOR SUPPORT |
| 4 | 6890551 | BRACKET - MICRO SWITCH |
| 5 | 6890561 | TERMINAL BLOCK |
| 6 | 6890541 | MICRO SWITCH |
| 7 | 6890531 | COVER - CONNECTING TUBE |
| 8 | 6890521 | TUBE - HOSE CONNECTING |
| 9 | 6890471 | FILTER - EXHAUST |
| 10 | 6890481 | HOUSING - VAC MOTOR |
| 13 | 6890501 | HOSE - BRUSH HEAD - VAC HOUSING |
| 14 | 6890491 | ELECTRIC PLUG - FEMALE |
| 15 | 6891091 | M5 X 16 TORX HEAD SCREW |
| 16 | 6890711 | M8 X 13 SCREW |
| 17 | 7292091 | CARBON BRUSH 115 VOLT |
| | 6890431 | CARBON BRUSH 100 VOLT |
| 18 | 6890571 | PLATE - TUBE COVER |



NSS® Enterprises, Inc.

3115 Frenchmens Road, Toledo, Ohio 43607
 PHONE (419) 531-2121 FAX (419) 531-3761
 NSS® Enterprises, Inc. European Distribution
 Centre
 Unit II, Pinfold Trading Estate * 55 Nottingham Road
 STAPLEFORD, NOTTINGHAM NG9 8AD ENGLAND U.K.
 PHONE: (44) 0115 939 1568 * FAX: (44) 0115 949 0615