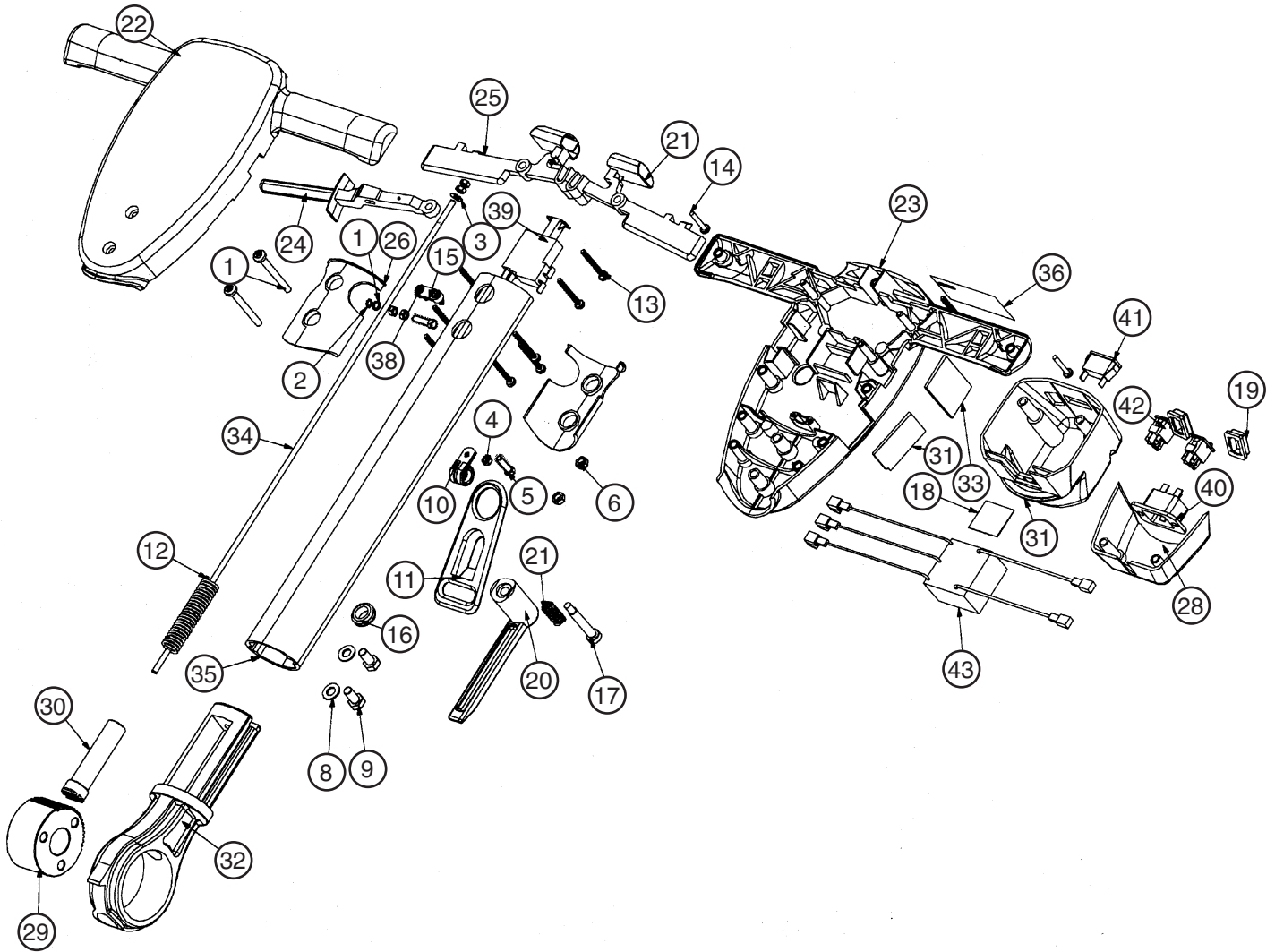


Model CAS16 Parts



Model CAS16 Parts

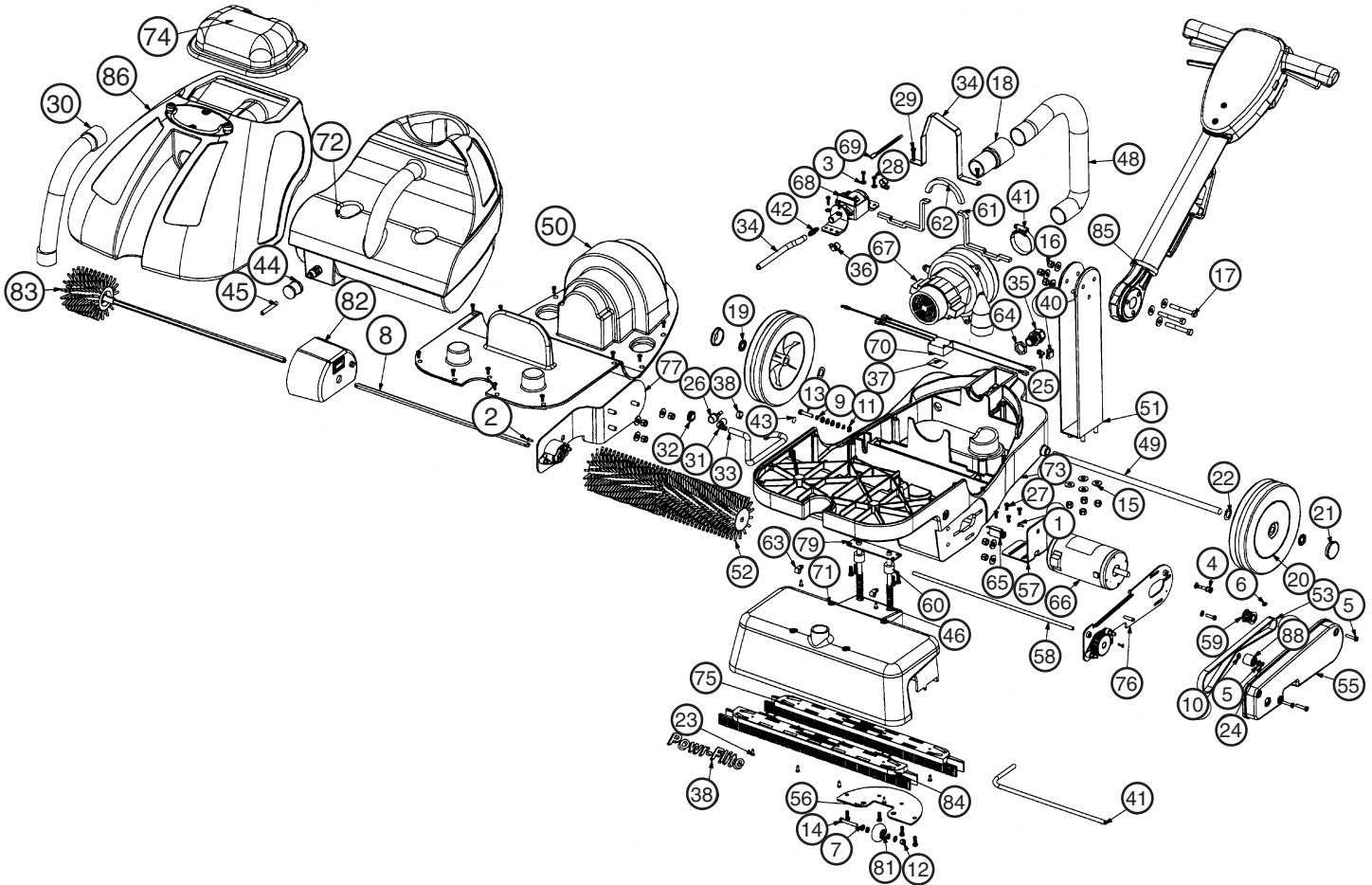
ref #	item #	description
10	CAS20	clip
11	CAS21	cable strain relief bracket
12	CAS22	gear dog spring
13	CAS23	self tapper
14	CAS24	self tapper
15	CAS25	self tapper
17	CAS26	bolt
20	CAS27	cable winder
21	CAS28	cable winder spring
22	CAS29	control box front
23	CAS30	control box rear
24	CAS31	gear operating lever
25	CAS32	trigger
27	CAS33	interlock bottom
28	CAS34	cord retainer

ref #	item #	description
29	CAS35	handle gear
30	CAS36	gear dog
33	CAS37	solution trigger plate
34	CAS38	gear rod
37	CAS39	cord inlet box
39	CAS40	schulte switch
40	CAS41	inlet socket 5 amp
41	CAS42	neon indicator black/green
42	CAS43	rocker switch
43	CAS44	supressor 110 v

NOT ILLUSTRATED

CAS45	supply cordset
-------	----------------

Model CAS16 Parts



Model CAS16 Parts

ref #	item #	description
20	CAS47	wheel assembly
21	CAS48	wheel - center cap
22	CAS49	crinkle washer
26	CAS55	female coupling connector
30	CAS50	vac pick up hose
31	CAS51	metal male hoesetail and elbow
32	CAS52	grommet
44	CAS53	filter
47	CAS54	spray bar
49	CAS56	axle
51	CAS57	handle support
52	CAS58	brush
53	CAS59	vacuum motor strap
60	CAS60	vacuum shoe spacer
65	CAS61	1.5 amp current overload
66	CAS62	commutator motor
67	CAS63	motor tangential discharge
68	CAS64	pump with mounts
69	CAS65	thermal overload
70	CAS66	motor suppressor
74	CAS67	clear dome assembly
75	CAS68	squeegee assembly
76	CAS69	motor plate assembly
77	CAS70	bearing plate assembly
78	CAS71	brush asle assembly
79	CAS72	vacuum show mount runner assembly
80	CAS73	idler assembly
81	CAS74	side brush cover assembly
83	CAS75	side brush assemlby
84	CAS76	front squeegee carrier assembly

ref #	item #	description
NOT ILLUSTRATED		
	CAS82	caster wheel
	CAS83	wheel bearing
	CAS84	front squeegee blade
	CAS85	squeegee roller assembly
	CAS86	aluminium pop rivet
	CAS92	rear squeegee blade
	CAS87	idler pulley
	CAS83	bearing for pulley 626-2RS SNH
	CAS72	vac shoe runner assembly
	CAS90	bearing plate countersunk screw
	CAS91	bearing plate nyloc zinc plated nut
	CAS88	bearing plate bearing 6003-2RS
	CAS89	bearing plate brush
	CAS88	motor plate bearing
	CAS93	motor plate brush sprocket
	CAS90	motor plate countersunk screw
	CAS91	motor plate nyloc zinc plated nut
	CAS94	clear dome lid
	CAS95	clear dome lid seal
	CAS96	clear dome lid inlet grommet
	CAS97	chassis bridge rectifier 25 amp
	CAS98	chassis outlet cover
	CAS99	chassis outlet filter
	CAS100	chassis pan screw
	CAS24	chassis self tapper
	CAS101	chassis grommet
	CAS102	solution tank metal bulkhead coupling