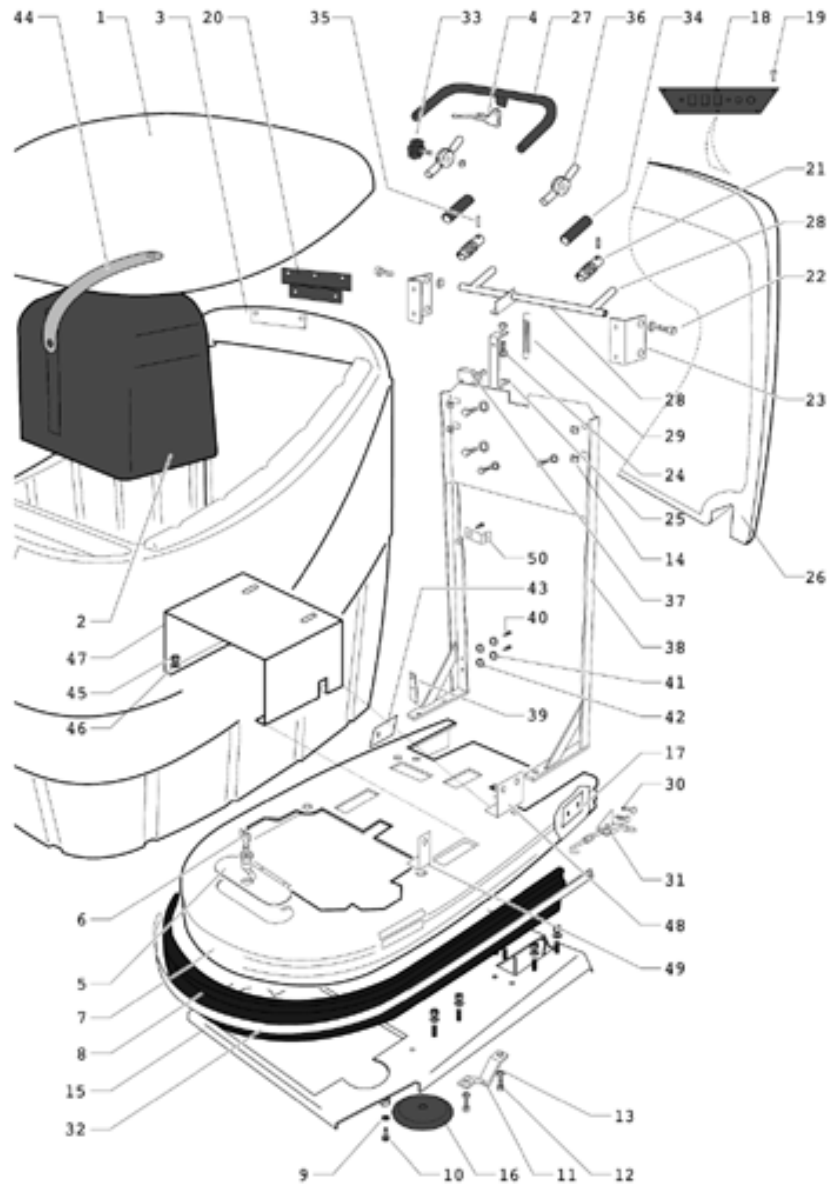


# **20" AUTOMATIC SCRUBBER**

~~XXXXXXXXXXXX~~ **Parts Manual**



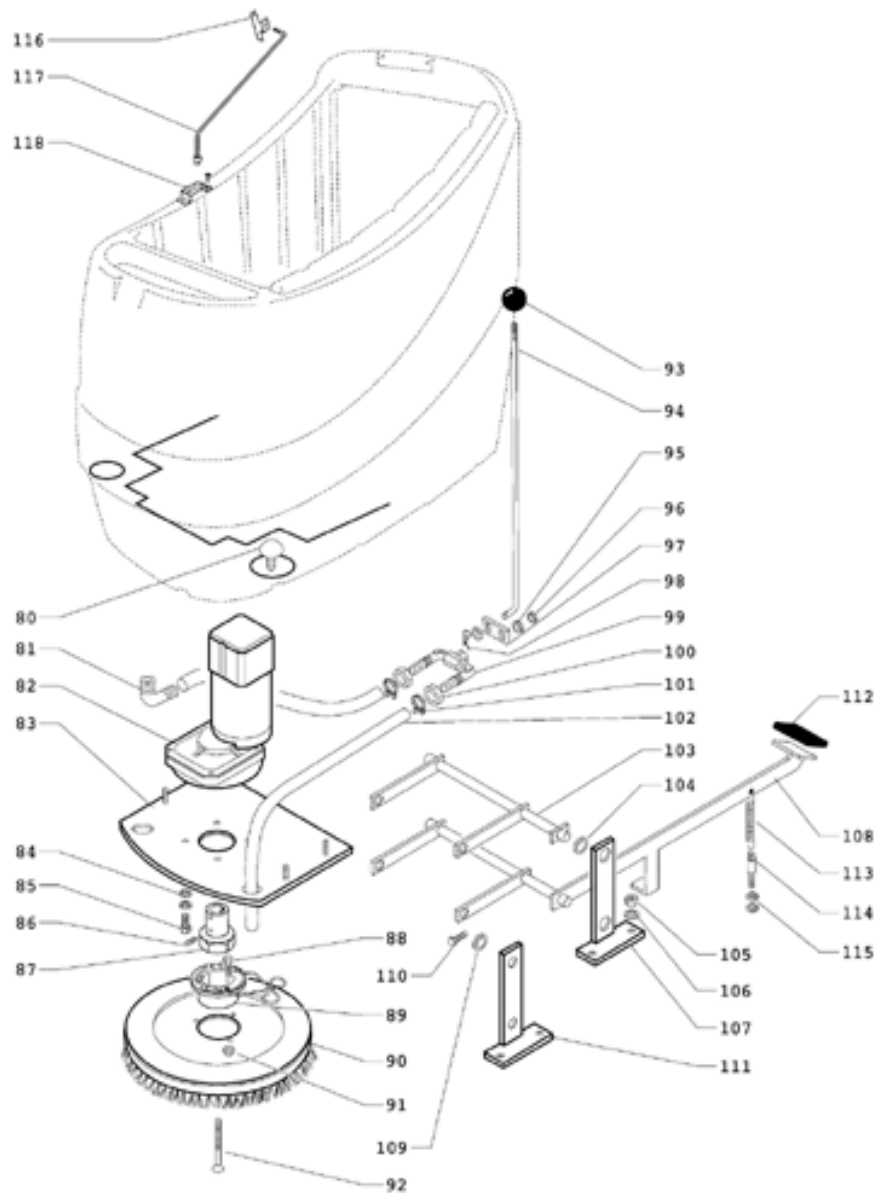
**WARNING: OPERATOR MUST READ AND UNDERSTAND THIS MANUAL  
COMPLETELY BEFORE OPERATING THIS EQUIPMENT.**



<b>Pos</b>	<b>Part No.</b>	<b>Description</b>
1	510.001	COVER
2	510.002	SUCTION MOTOR
3	510.003	CHEST
4	501.004	BRAKE LEVER
5	501.005	COVER
6	PAS179	KEY
7	510.007	CHEST
8	850.305	SPLASH GUARD
9	PAS157	WASHER
10	430.016	SCREW
11	510.011	YOKE
12	PAS167	SCREW
13	PAS188	WASHER
14	430.063	NUT
15	510.015	FRAME
16	PAS1	BUFFER WHEEL

<b>Pos</b>	<b>Part No.</b>	<b>Description</b>
17	510.017	PLATE
18	510.018	CONTROL PANEL
19	PAS153	SCREW
20	PAS109	HINGE
21	PAS335	BELLOWS
22	PAS167	SCREW
23	501.033	SQUARE
24	PAS114	SCREW
25	501.028.1	SUPPORT
26	510.026	PANEL
27	430.323.1	HANDLE
28	510.028	LEVER
29	PAS188	SPRING
30	501.047	SCREW
31	PAS122	HOOK
32	PAS919	STOP STRIP

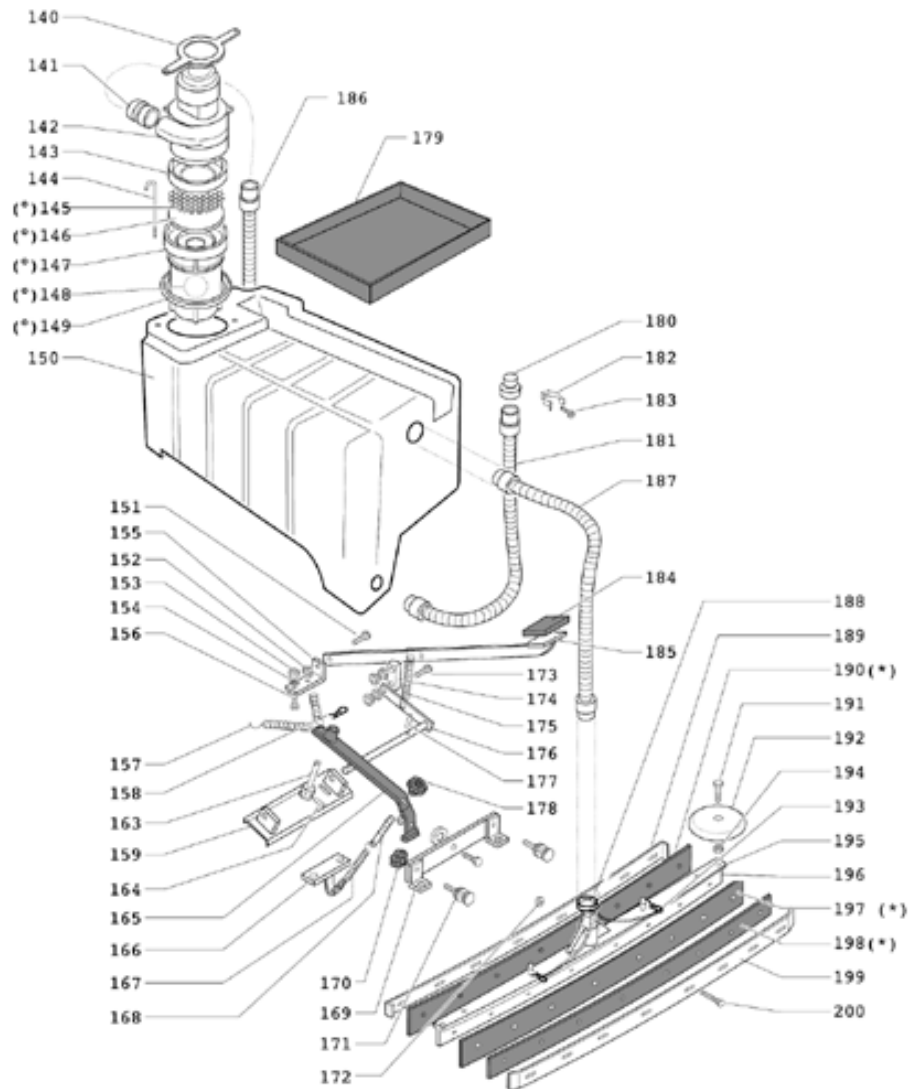
<b>Pos</b>	<b>Part No.</b>	<b>Description</b>
33	PAS337	KNOB
34	PAS338	HANDLE
35	430.16	DOWEL
36	PAS339	ARTICULATION
37	PAS56	MICRO SWITCH
38	510.038	PANEL
39	PAS259	PLATE
40	430.107	SCREW
41	PAS146	WASHER
42	PAS208	LOCKWASHER
43	510.043	PLATE
44	510.044	COVER RUBBER
45	PAS176	NUT
46	PAS188	WASHER
47	510.047	SUPPORT
48	510.048	PLATE



<b>Pos</b>	<b>Part No.</b>	<b>Description</b>
49	510.049	PLATE
50	510.05	PLATE
80	PAS3	FILTER
81	501.088	HOSE FITTING
82	PAS4	REDUCER MOTOR
83	510.083	PLATE
84	PAS146	WASHER
85	430.072	SCREW
86	430.073	DOWEL
87	PAS5	COUPLING JOINT
88	PAS123	SCREW
89	PAS6A	SUPPORT WITH SUPORT
90	PAS8	BRUSH, POLY
90	PAS132	STRATA GRIT BRISH

<b>Pos</b>	<b>Part No.</b>	<b>Description</b>
90	PAS95	SCRUB GRIT 11 BRUSH
90	PAS109	PAD DRIVER
90	PAS135	POWR-SCUFF BRUSH
91	PAS149	NUT
92	PAS111	SCREW
93	PAS111	KNOB
94	510.094	ROD
95	PAS270	NUT
96	501.103	NUT
97	PAS269	LEVER
98	PAS268	SPLIT PIN
99	PAS12	WATER TAP
100	PAS262	NUT

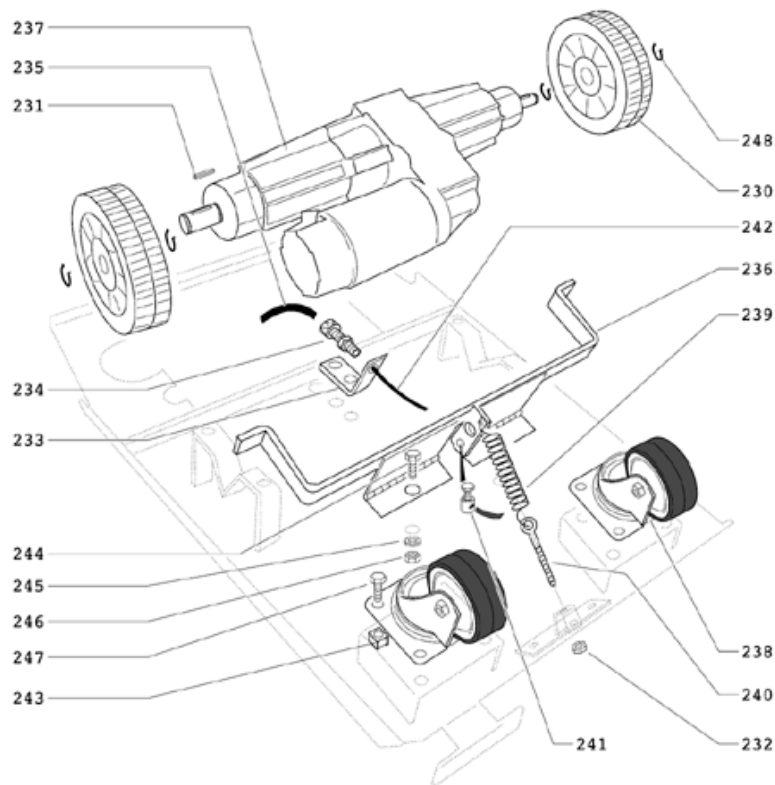
<b>Pos</b>	<b>Part No.</b>	<b>Description</b>
101	430.091	HOSE
102	PAS288	HOSE
103	PAS204	LEVER
104	500.155	NYLON WASHER
105	PAS176	NUT
106	PAS188	WASHER
107	430.119	SUPPORT
108	PAS203	LEVER
109	500.155	NYLON WASHER
110	501.118	SCREW
111	430.094	SUPPORT
112	PAS149	PEDAL COVER
113	PAS230	SPRING
114	PAS63	PIN
115	PAS176	NUT



<b>Pos</b>	<b>Part No.</b>	<b>Description</b>
116	510.116	PLATE
117	510.117	ROD
118	510.118	PLATE
140	PAS15	RING MOTOR
141	PAS330	SLEEVE
142	500.257.1	SUCTION MOTOR
143	PAS102	SEAL JOINT
144	PAS198	TIE ROD
145	500.07	GRILLE
146	F909	FILTER SUPPORT
147	PAS85	SUPPORT
148	PAS210	FUEL LEVEL
149	PAS103	SEAL
150	510.15	TANK
151	501.176	SCREW
152	501.177	NUT

<b>Pos</b>	<b>Part No.</b>	<b>Description</b>
153	PAS189	NUT
154	PAS188	WASHER
155	501.18	SQUARE
156	PAS167	SCREW
157	510.157	SPRING
158	PAS266	SPLIT PIN
159	510.159	YOKE
163	PAS19	PIN
164	PAS197	SCREW
165	510.165	LEVER
166	501.188.1	SQUARE
167	PAS18	SPRING
168	PAS32	TIE ROD
169	PAS404	SUPPORT
170	500.223.1	KNOB
171	500.222.1	REGULATOR

<b>Pos</b>	<b>Part No.</b>	<b>Description</b>
172	PAS147	NUT
173	PAS197	SCREW
174	PAS265	CROSS MEMBER
175	PAS230	SPRING
176	501.198	LEVER
177	PAS280	ELASTIC PIN
178	PAS35	KNOB
179	510.179	VAT
180	PAS36	PLUG
181	PAS37	PIPE
182	PAS38	PIPE
183	430.194	SCREW
184	PAS14	PEDAL COVER
185	510.185	PEDAL
186	PAS37	PIPE
187	PAS37	PIPE



<b>Pos</b>	<b>Part No.</b>	<b>Description</b>
188	PAS191	HOSE
189	500.217.1	FRONT STRIP
190	PAS142	BLACK RUBBER
191	PAS936	SCREW
192	PAS1	BUFFER WHEEL
193	PAS266	SPLIT PIN
194	700.124	NUT
195	PAS40A	COMPLETE SQUEEGEE TOOL
196	500.215.1	FLOOR WASHING
197	PAS116	RUBBER
198	PAS112	RUBBER
199	500.218.1	BACK STRIP
200	PAS197	SCREW
230	PAS44A+	WHEEL
231	501.236	TANG
232	PAS176	NUT
233	510.233	SQUARE
234	PAS170	REGULATOR
235	PAS171	SHEATHING
236	510.236	PLATE
237	510.237	MOTOR

<b>Pos</b>	<b>Part No.</b>	<b>Description</b>
238	PAS51	SWIVEL CASTOR
239	PAS172	SPRING
240	PAS63	PIN
241	PAS173	CLAMP
242	PAS168	CAVO CABLE
243	850.033	NUT CLIP
244	PAS167	SCREW
245	PAS188	WASHER
246	PAS176	NUT
247	PAS167	SCREW
248	510.248	SEEGER RING
310	PAS52	BATTERY PILOT LIGHT
311	PAS53NS	KEY SWITCH
312	PAS54	BRUSH SWITCH
313	PAS54	SUCTION SWITCH
314	PAS55	POTENTIOMETER
315	PAS56	MICRO SWITCH
316	PAS57	BRUSH REMOTE CONTROL
317	PAS57	SUCTION REMOTE CONTROL

<b>Pos</b>	<b>Part No.</b>	<b>Description</b>
318	PAS117	FUSE
319	PAS119	FUSE
320	501.321	FUSE
321	510.237	MOTOR
322	PAS4	REDUCER MOTOR
323	500.257.3	SUCTION MOTOR
324	500.258.1	CONNECTION
325	500.258.1	CONNECTION
326	500.263	CABLE
327	500.266	CABLE
328	500.262	BRIDGE
329	PAS141	BATTERY 12V 120A
330	PAS294	ELECTRONIC CARD
331	PAS88	KNOB
332	510.332	REVERSE RUNNING PUSH BUTTON
(*)	PAS39	KIT RUBBER
(°)	PAS17	COMPLETE FLOAT
	500.250.10	BATTERY 12V 140A

Recommended batteries not included:  
2 x 12 V Trojan - 27 TMX