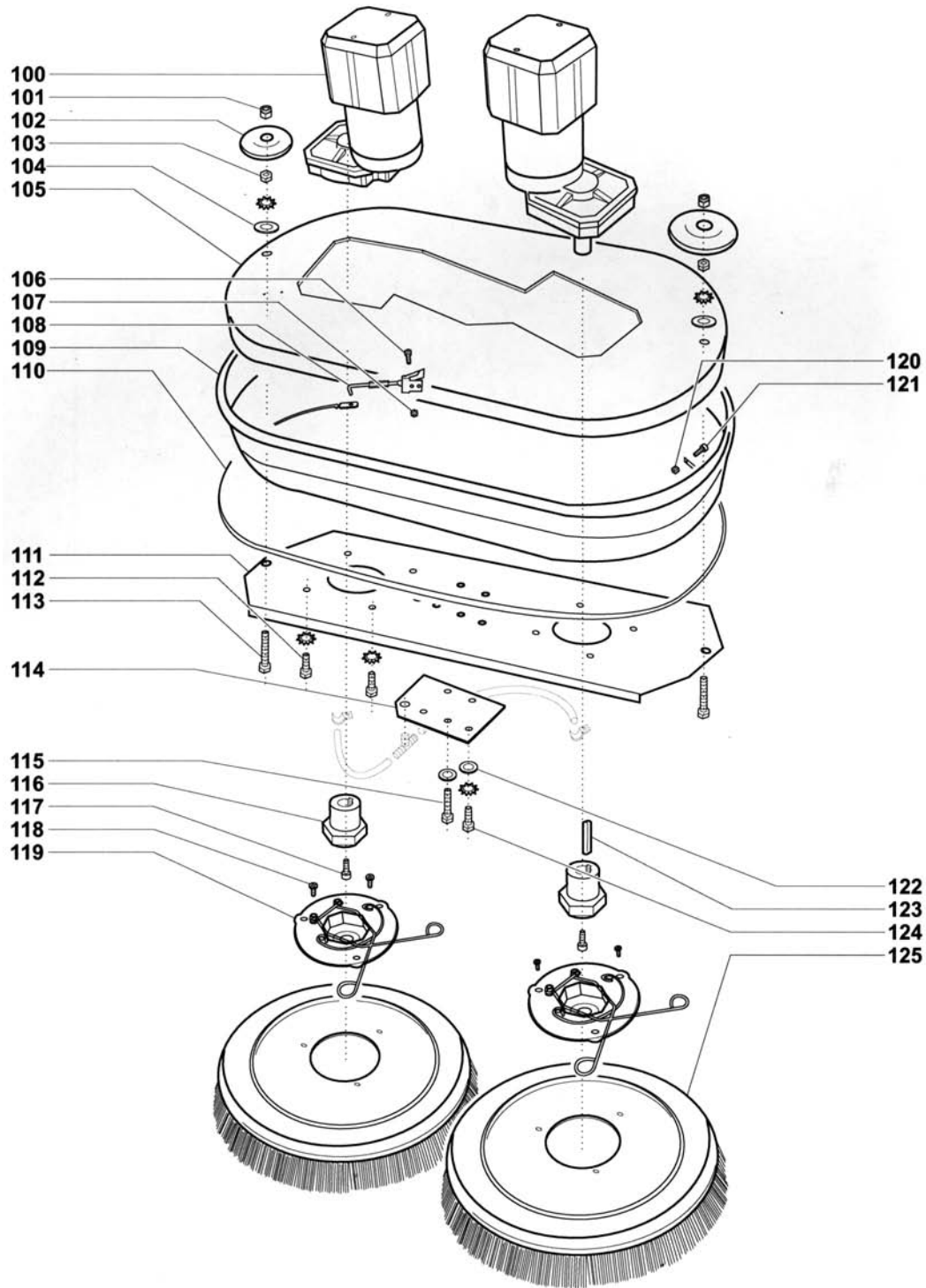


Pos	Part No.	Description
1	701.001	BACK FRAME
2	701.002	SCREW
3	700.003	YOKE
4	701.004	SCREW
5	PAS176	NUT
6	430.065	SCREW
7	430.109	WASHER
8	PAS259	CAM
9	701.009	SUPPORT
10	860.041	PEDAL
11	701.011	WASHER
12	PAS176	NUT
13	PAS176	NUT

Pos	Part No.	Description
14	710.093	WASHER
15	PAS257	BRACKET
16	701.016	SCREW
17	PAS176	NUT
18	PAS227	SUPPORT
19	701.019	LEVER
20	701.020	PEDAL
21	701.021	SCREW
22	850.310	NUT
23	710.093	WASHER
24	701.024	SUPPORT
25	PAS176	NUT
26	700.084	PLATE

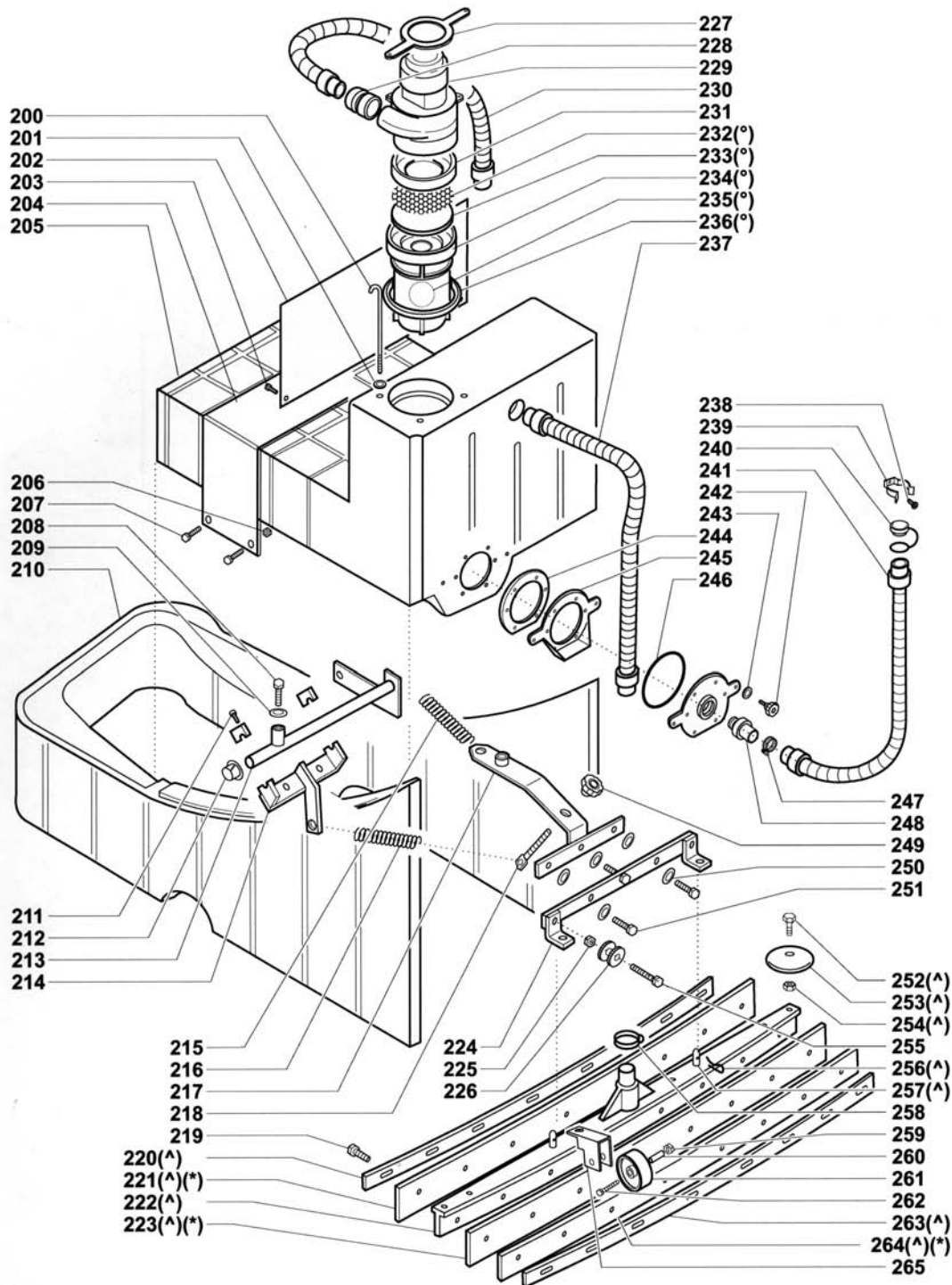
Pos	Part No.	Description
27	701.027	WASHER
28	701.028	NUT
29	PAS176	NUT
30	PAS176	NUT
31	701.016	SCREW
32	500.120	FORK
33	860.039	TIE ROD
34	PAS14	PEDAL COVER
35	850.310	NUT
36	PAS176	NUT
37	PAS176	NUT
38	700.017	STOP
39	701.039	BRACKET



Pos	Part No.	Description
40	PAS176	NUT
41	701.016	SCREW
42	701.016	SCREW
43	701.043	HANDLE
44	701.044	LEVER
45	850.310	NUT
46	701.011	WASHER
47	PAS230	SPRING
48	710.088	BUSHING
49	701.049	FRAME
100	PAS4	MOTOR REDUCER
101	850.317	NUT
102	PAS1	BUFFER WHEEL

Pos	Part No.	Description
103	701.103	NUT
104	701.104	WASHER
105	801.105	PLATE
106	501.024	SCREW
107	701.028	NUT
108	PAS122	HOOK
109	850.305	SPLASH GUARD
110	PAS919	SPLASH GUARD
111	801.111	PLATE
112	430.072	SCREW
113	PAS223	SCREW
114	700.085	PLATE
115	701.115	SCREW

Pos	Part No.	Description
116	PAS5	COUPLING
117	710.135	SCREW
118	701.118	SCREW
119	PAS6A	SUPPORT WITH SPRING
120	500.066	NUT
121	850.306	SCREW
122	PAS188	WASHER
123	430.069.1	TANG
124	710.041	SCREW
125	PAS67	Poly Scrub, 2 brushes, fits PAS28DX
125	PAS68	Nylo Grit 2, brushes, fits PAS28DX"

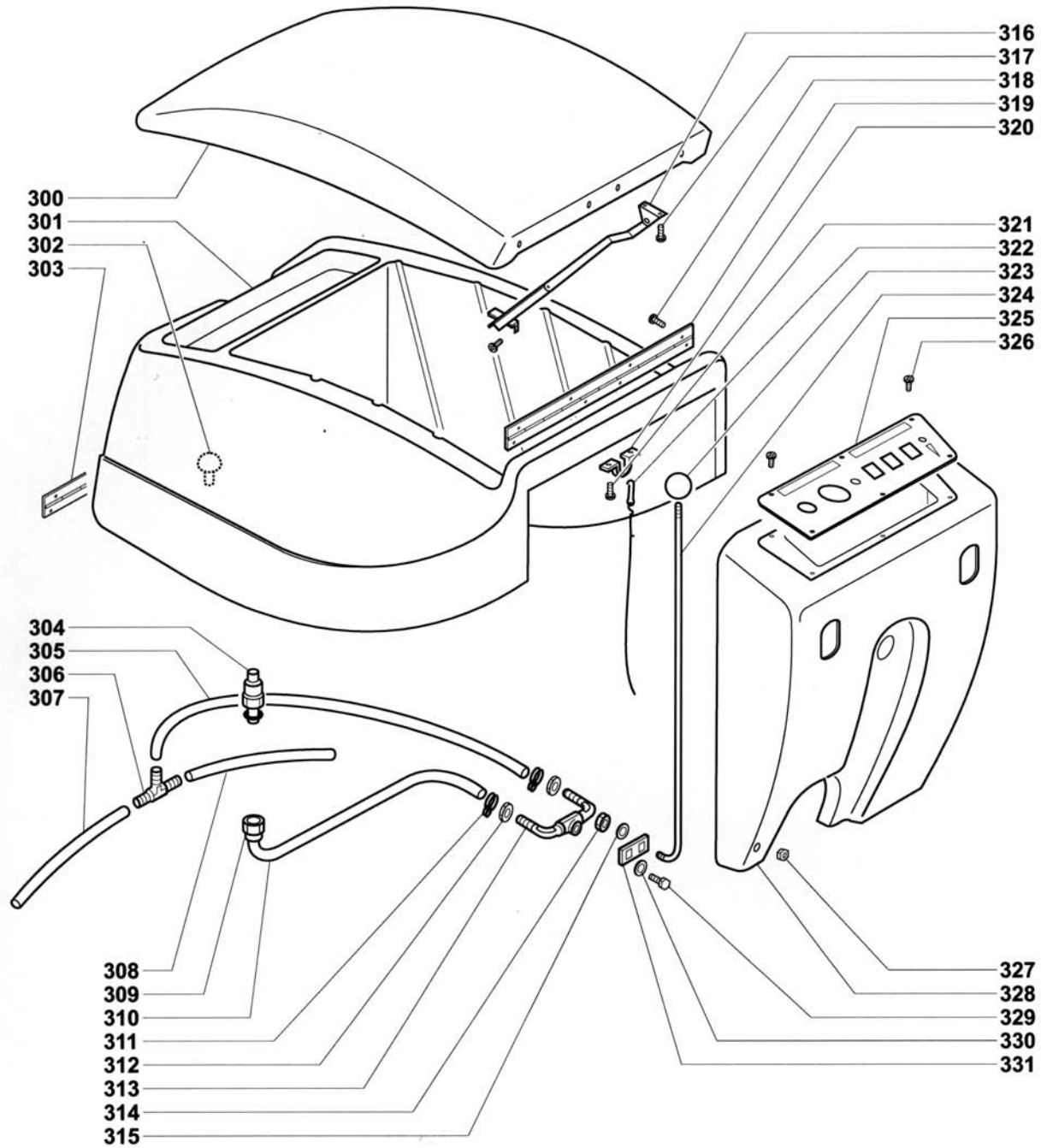


Pos	Part No.	Description
125	PAS130	Strata Grit, 2 brushes, fits PAS28DX
125	PAS94	Scrub Grit II, 2 brushes, fits PAS28DX
125	PAS613	13" Union Mix, 2 brushes, fits PAS28DX
125	PAS69	pad holder, 2 brushes, fits PAS28DX
125	PAS133	Powr-Scuff, 2 brushes, fits PAS28DX
125	PAS962	Poly-Scrub .028 dia. scrub brush nylon, fits PAS32DX
125	PAS963	Nylo-Grit .050 dia. 80 grit HD, fits PAS32DX

Pos	Part No.	Description
125	PAS964	Strata-Grit .060 dia. 46 grit Concrete, fits PAS32DX
125	PAS615	15" Union mix brush, fits PAS32DX
125	PAS961	drive block, fits PAS32DX
125	PAS965	Powr-Scuff .018 dia. 500 grit gen scrub, fits PAS32DX
200	410.105.1	TIE ROD
201	PAS146	WASHER
202	700.101.1	SCREEN
203	430.065	SCREW
204	701.204	REINFORCE
205	700.131	TANK
206	PAS196	NUT

Pos	Part No.	Description
207	701.016	SCREW
208	710.041	SCREW
209	PAS188	WASHER
210	701.210	CHEST
211	710.135	SCREW
212	710.088	BUSHING
213	700.044.1	LEVER
214	700.045.2	SUPPORT
215	PAS230	SPRING
216	PAS31	SPRING
217	700.047.2	LEVER
218	PAS63	TIE ROD PIN
219	PAS223	SCREW
220	650.178	FRONT STRIP

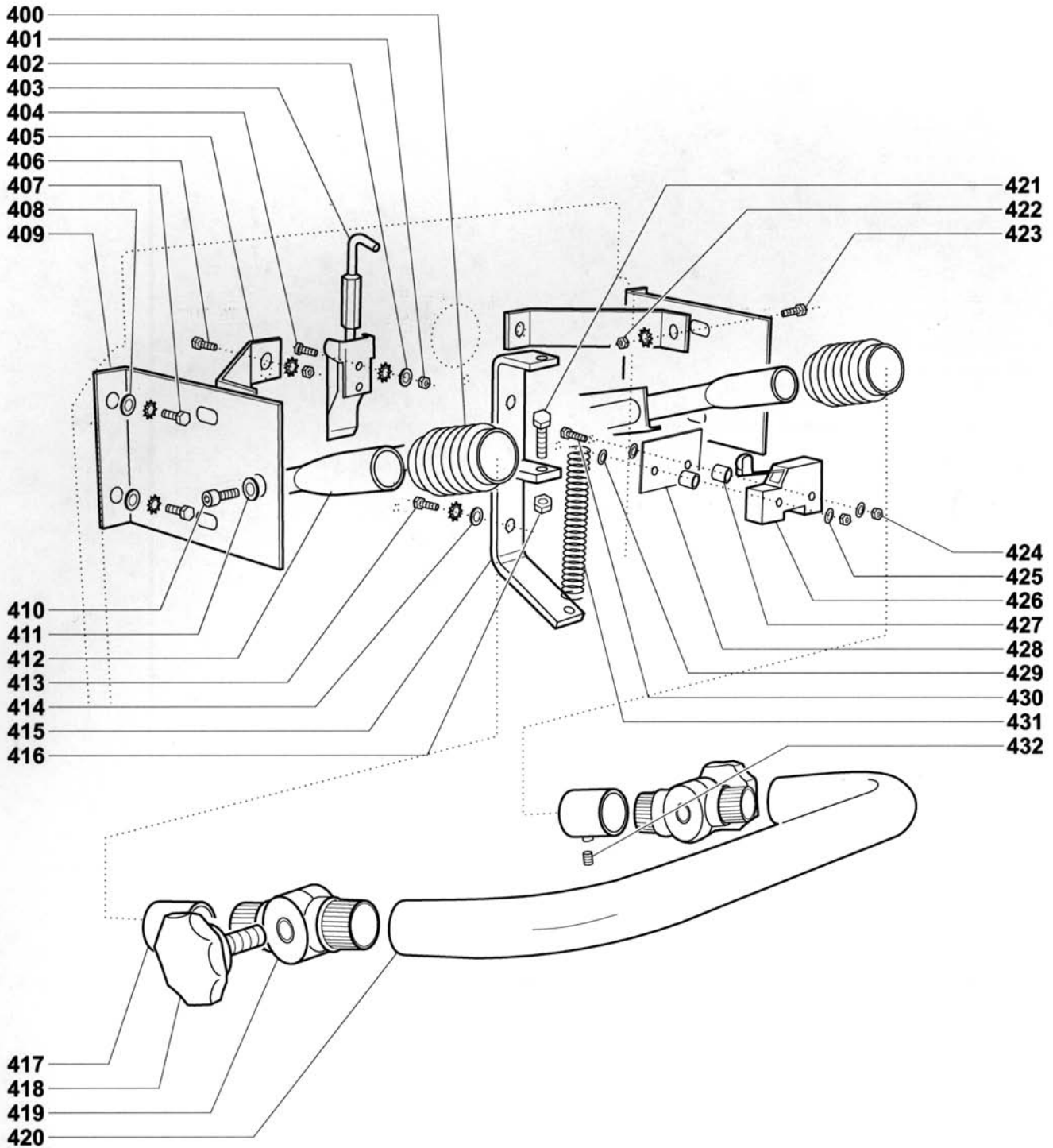




Pos	Part No.	Description
221	PAS145	BLACK RUBBER
222	PAS77	SQUEEGEE BODY
223	PAS143	CREPE RUBBER
224	PAS214	SUPPORT
225	PAS176	NUT
226	500.222.1	REGULATOR
227	PAS15	LOCK RING
228	PAS330	SLEEVE
229	500.257.3	MOTOR
230	PAS37	PIPE
231	PAS102	SEAL
232	PAS79	NET
233	PAS107	SPONGE

Pos	Part No.	Description
234	500.068	SUPPORT
235	500.094	FLOAT LEVEL
236	PAS103	SEAL
237	PAS80	PIPE
238	430.194	SCREW
239	PAS38	PIPE STRAPP
240	PAS36	PLUG
241	PAS37	PIPE
242	PAS74	KNOB
243	PAS136	WASHER
244	PAS70	SEAL
245	PAS440	FIXED FLANGE
246	PAS441	SEAL

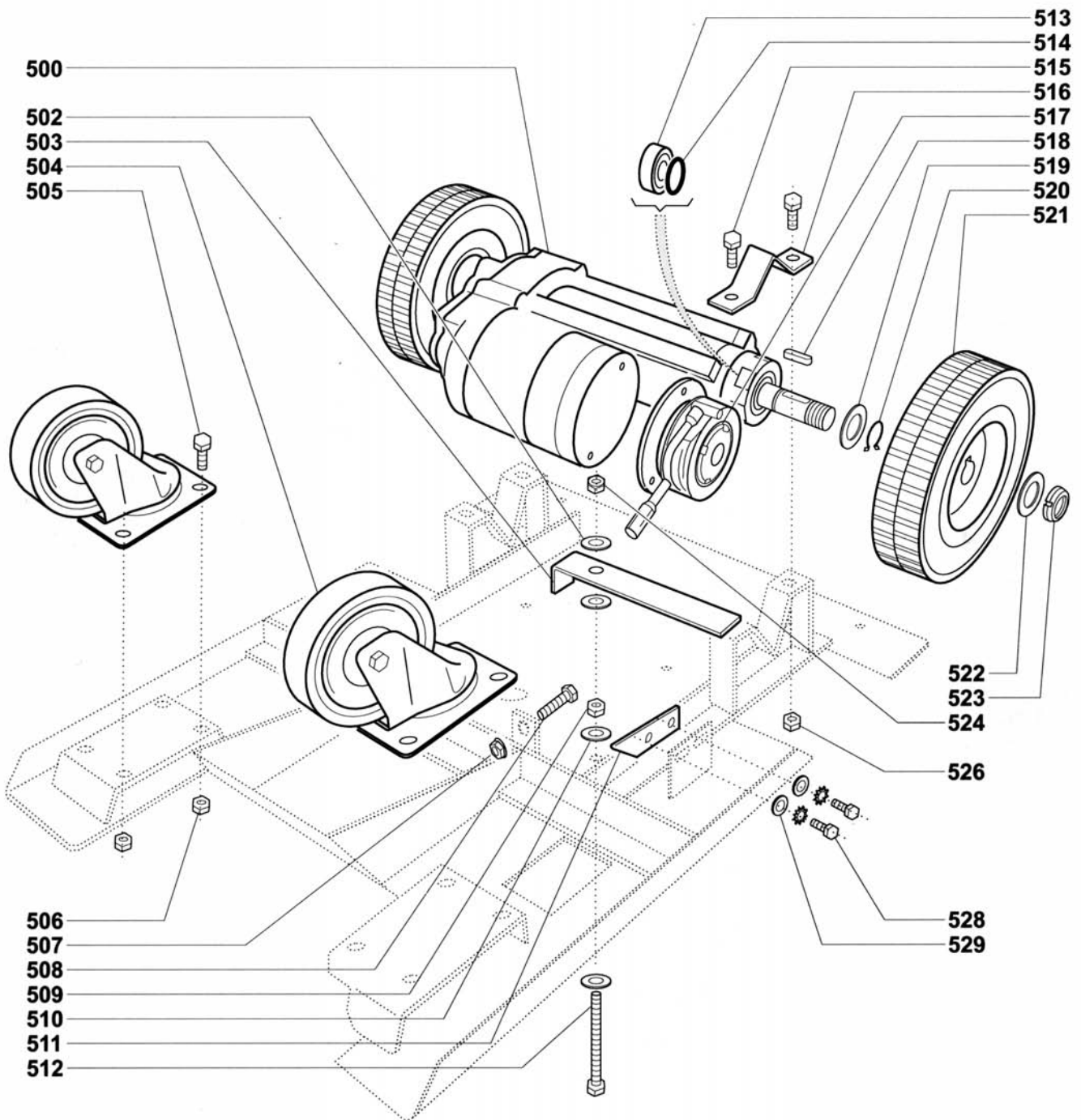
Pos	Part No.	Description
247	710.270	HOSE COLLOR
248	PAS393	HOSE FITTING
249	500.223.1	KNOB
250	PAS212	PIPE
251	710.168	SCREW
252	PAS936	SCREW
253	PAS1	BUFFER WHEEL
254	PAS937	NUT
255	710.165	SCREW
256	850.265	PLIT PIN
257	PAS92	PIN
258	PAS191	HOSE COLLOR
259	430.311	NUT



Pos	Part No.	Description
260	PAS382	SPACER
261	PAS379	WHEEL
262	710.176	SCREW
263	PAS261	BACK STRIP
264	PAS144	CREPE RUBBER
265	710.175	SCREW
(°)	PAS17	COMPLETE FLOAT
(*)	PAS76	KIT RUBBER
(^)	PAS78	COMPLETE SQUEEGEE
300	701.300	COVER
301	PAS805	TANK
302	PAS3	FILTER
303	700.138	HINGE

Pos	Part No.	Description
304	PAS83	QUICK CONNECTOR
305	700.143	PIPE
306	850.170	JOINT
307	700.139	PIPE
308	700.141	PIPE
309	PAS83A	QUICK CONNECTOR
310	700.144	PIPE
311	430.091	HOSE COLLOR
312	PAS262	NUT
313	400.160.1	COCK
314	PAS149	NUT
315	PAS146	WASHER
316	PAS84	SUPPORT

Pos	Part No.	Description
317	700.154	SCREW
318	700.155	SCREW
319	PAS110	HINGE
320	700.158	SUPPORT
321	430.056	SCREW
322	700.160	HOOK
323	PAS11	KNOB
324	700.161	ROD
325	700.162.1	PANEL
326	PAS153	SCREW
327	PAS176	NUT
328	701.328	PANEL
329	PAS271	SCREW

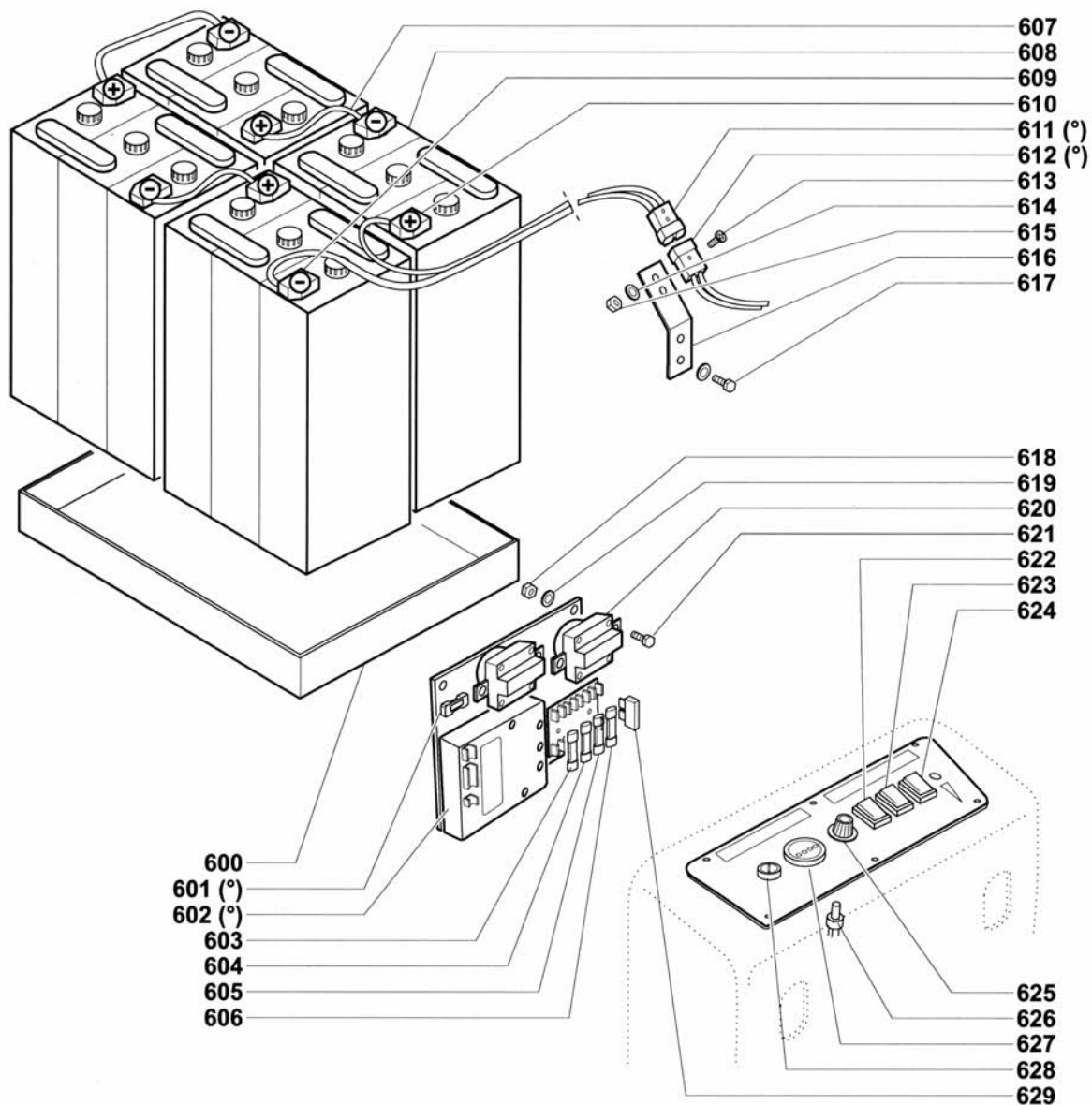


Pos	Part No.	Description
330	PAS270	WASHER
331	PAS269	LEVER
400	PAS335	BELLOW
401	701.028	NUT
402	701.027	WASHER
403	PAS122	HOOK
404	501.047	SCREW
405	701.405	REINFORCE
406	701.406	SCREW
407	500.032	SCREW
408	430.310	WASHER
409	701.409	SQUARE
410	PAS167	SCREW

Pos	Part No.	Description
411	710.040	WASHER
412	700.174	LEVER
413	710.041	SCREW
414	PAS188	WASHER
415	PAS183	SUPPORT
416	PAS176	NUT
417	PAS338	HANDLE
418	PAS337	KNOB
419	PAS339	ARTCULATION
420	430.323.3	HANDLE
421	701.421	SCREW
422	701.422	NUT
423	701.423	SCREW

Pos	Part No.	Description
424	500.066	NUT
425	701.425	WASHER
426	PAS56	MICRO SWITCH
427	700.194	SPACER
428	700.175	RUBBER
429	701.425	WASHER
430	430.194	SCREW
431	PAS172	SPRING
432	PAS148	DOWEL
500	701.500	MOTOR DIFFERENTIAL
502	710.040	WASHER
503	701.503	LEVER
504	500.204.2	SWIVER WHEEL

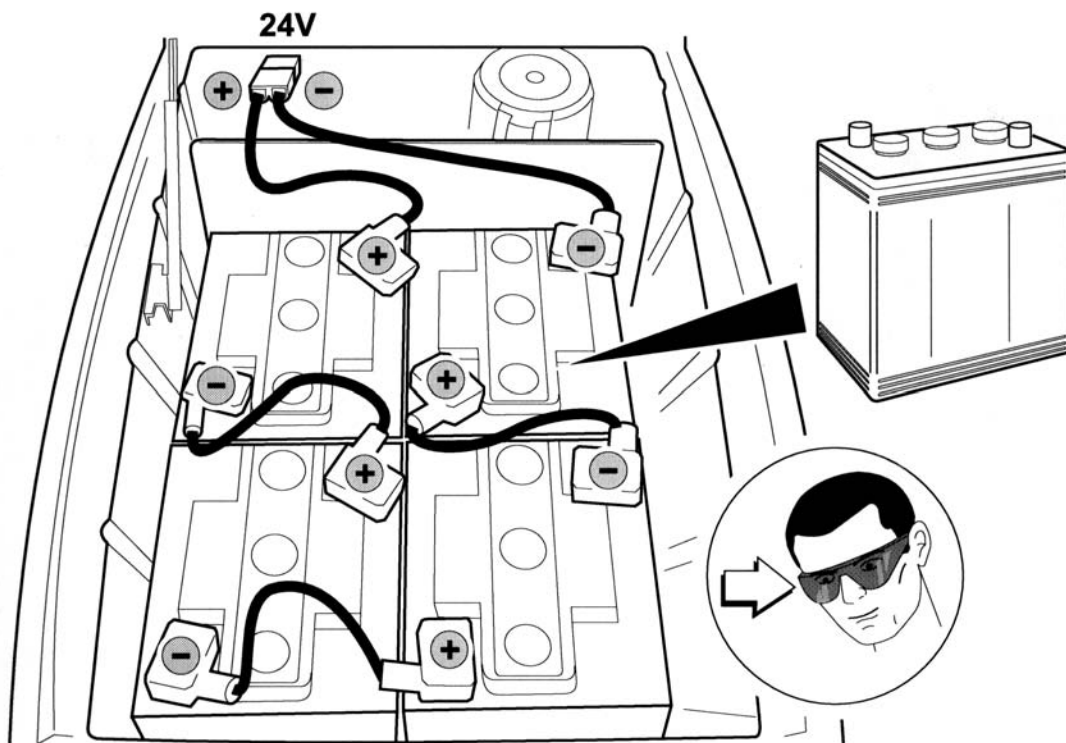
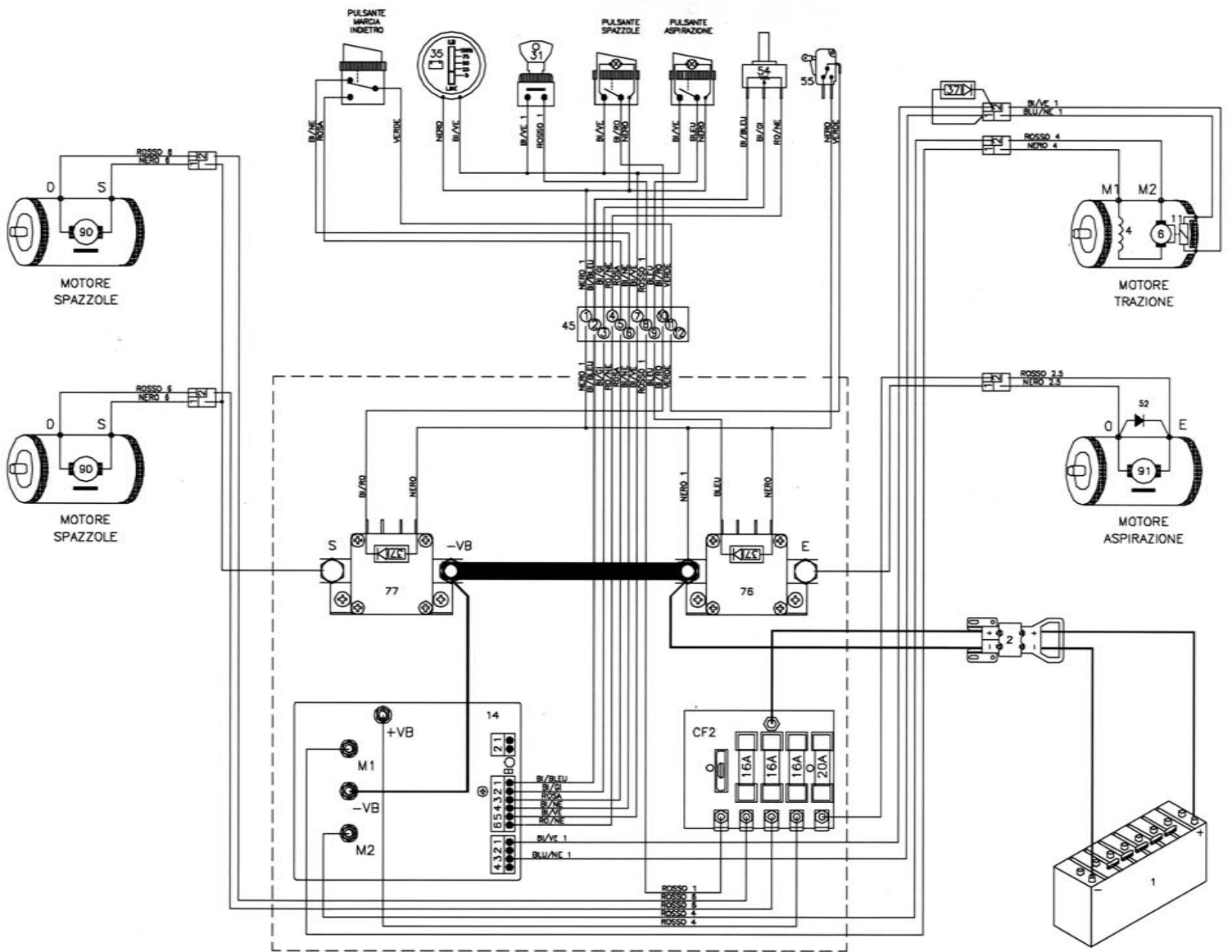




Pos	Part No.	Description
505	701.016	SCREW
506	PAS176	NUT
507	PAS176	NUT
508	701.508	SCREW
509	PAS176	NUT
510	710.040	WASHER
511	PAS259	CAM
512	701.512	SCREW
513	PAS285	BEARING
514	PAS283	SEAL
515	701.115	SCREW
516	510.011	YOKE
517	701.517	ELECTRIC BRAKE
518	PAS351	TANG
519	510.249	RING
520	510.248	SEEGER RING
521	701.521	WHEEL
522	510.246	RING
523	701.523	RING NUT
524	PAS176	NUT

Pos	Part No.	Description
526	PAS176	NUT
528	701.528	SCREW
529	430.310	WASHER
600	PAS86	VAT
601	PAS119	FUSE
602	510.330.1	ELECTRONIC CARD
603	PAS118	FUSE
604	PAS117	FUSE
605	PAS117	FUSE
606	PAS117	FUSE
607	PAS141	CABLE
608	500.250.1	HOSE BATTERY 240 AH
608	500.250.2	ARMATURE BATTERY 240 AH
608	500.250.3	PLATE BATTERY 240 AH
608	700.227	HOSE BATTERY 240 AH
609	500.263	CABLE (-)
610	500.266	CABLE (+)
611	500.258.1	CONNECTION
612	500.258.1	CONNECTION

Pos	Part No.	Description
613	430.299	SCREW
614	430.297	WASHER
615	430.296	NUT
616	650.328	YOKE
617	430.072	SCREW
618	PAS149	NUT
619	430.310	WASHER
620	PAS57	REMOTE CONTROL
621	701.621	NUT
622	510.332.1	REVERSE BUTTON
623	PAS54	SWITCH
624	PAS54	SWITCH
625	PAS88	KNOB
626	PAS55	POTENTIOMETER
627	PAS89	BATTERY INDICATOR
628	PAS53	KEY SWITCH
629	701.629	FUSE HOLDER
(°)	701.630.B	WIRING





***Power-Flite***<sup>®</sup>  
**COMMERCIAL FLOOR CARE EQUIPMENT**

A Tacony Company  
3101 Wichita Court • Ft. Worth, TX 76140-1755