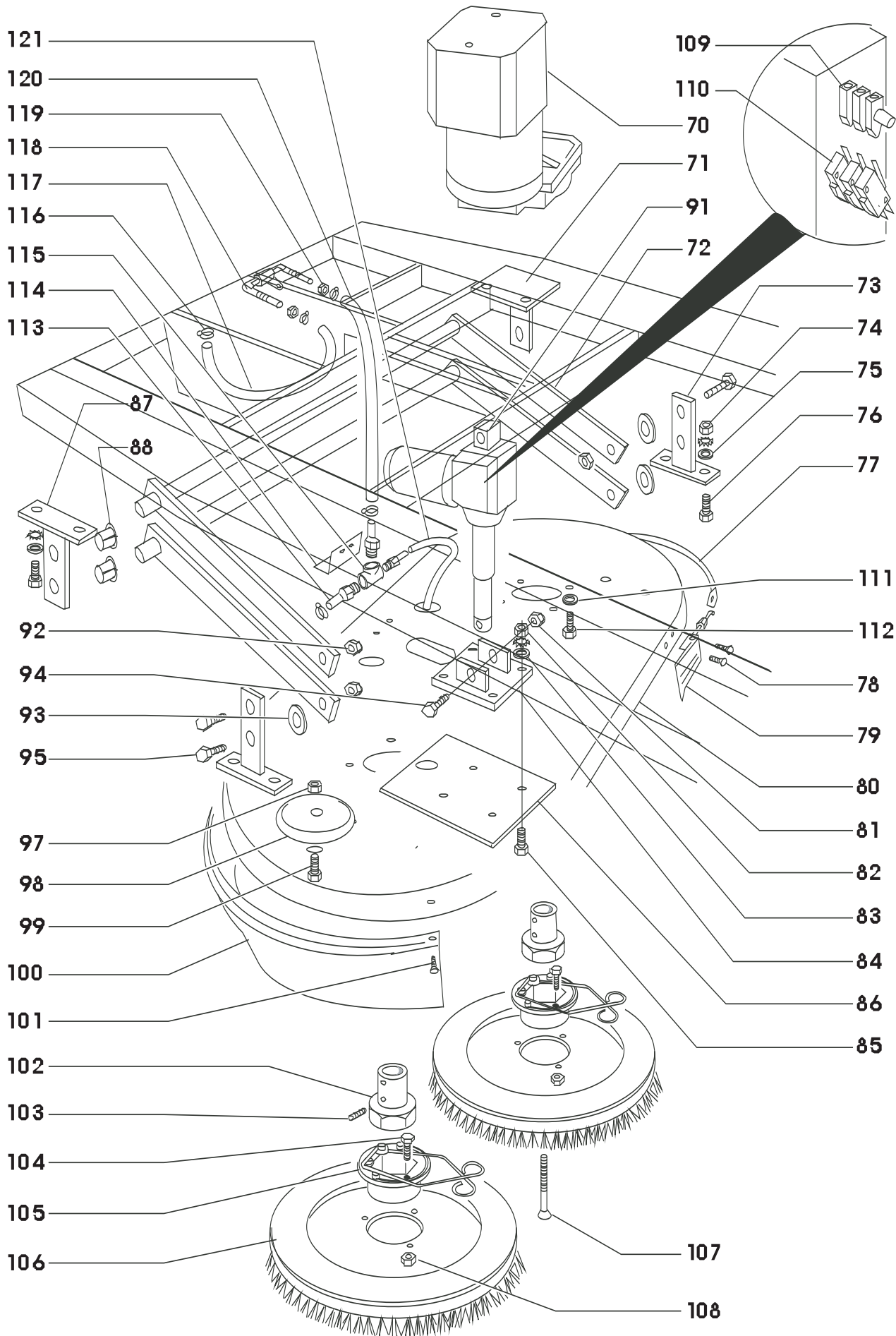
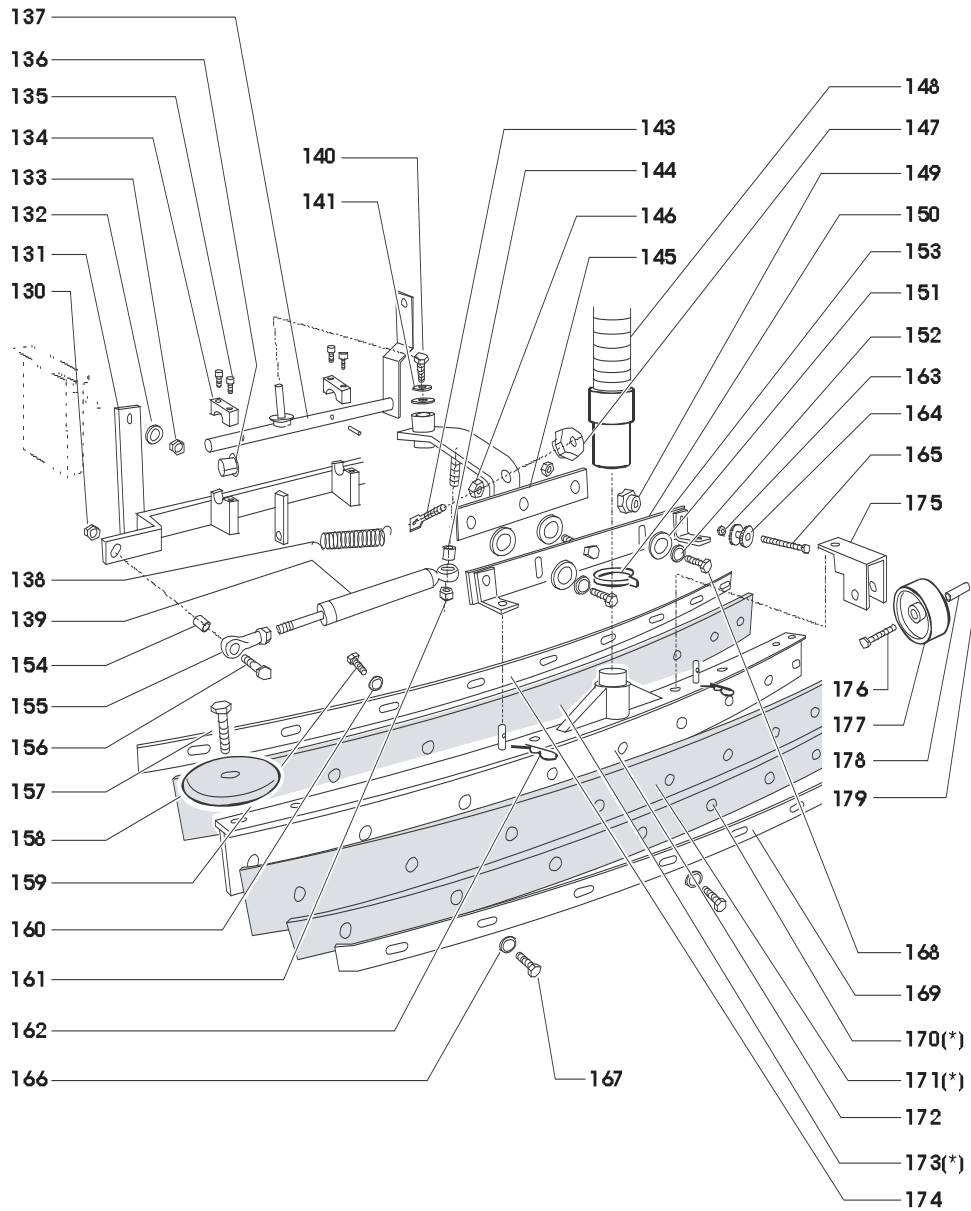


ref#	order	description
1	710.001	Frame
2	710.002	Support
3	PAS190	Screw
4	710.004	Plate
5	710.005	Reducer motor
6	710.006	Tang
7	710.007	Screw
8	1000.027	Brake
9	710.009	Wheel
10	710.010	Ring nut
11	430.063	Cage nut
12	PAS223	Screw
13	PAS937	Nut
14	PAS190	Screw
15	710.015	Nut
16	PAS137	Washer
18	PAS937	Nut
19	710.019	Seal
20	710.020	Crown wheel
21	710.021	Nut

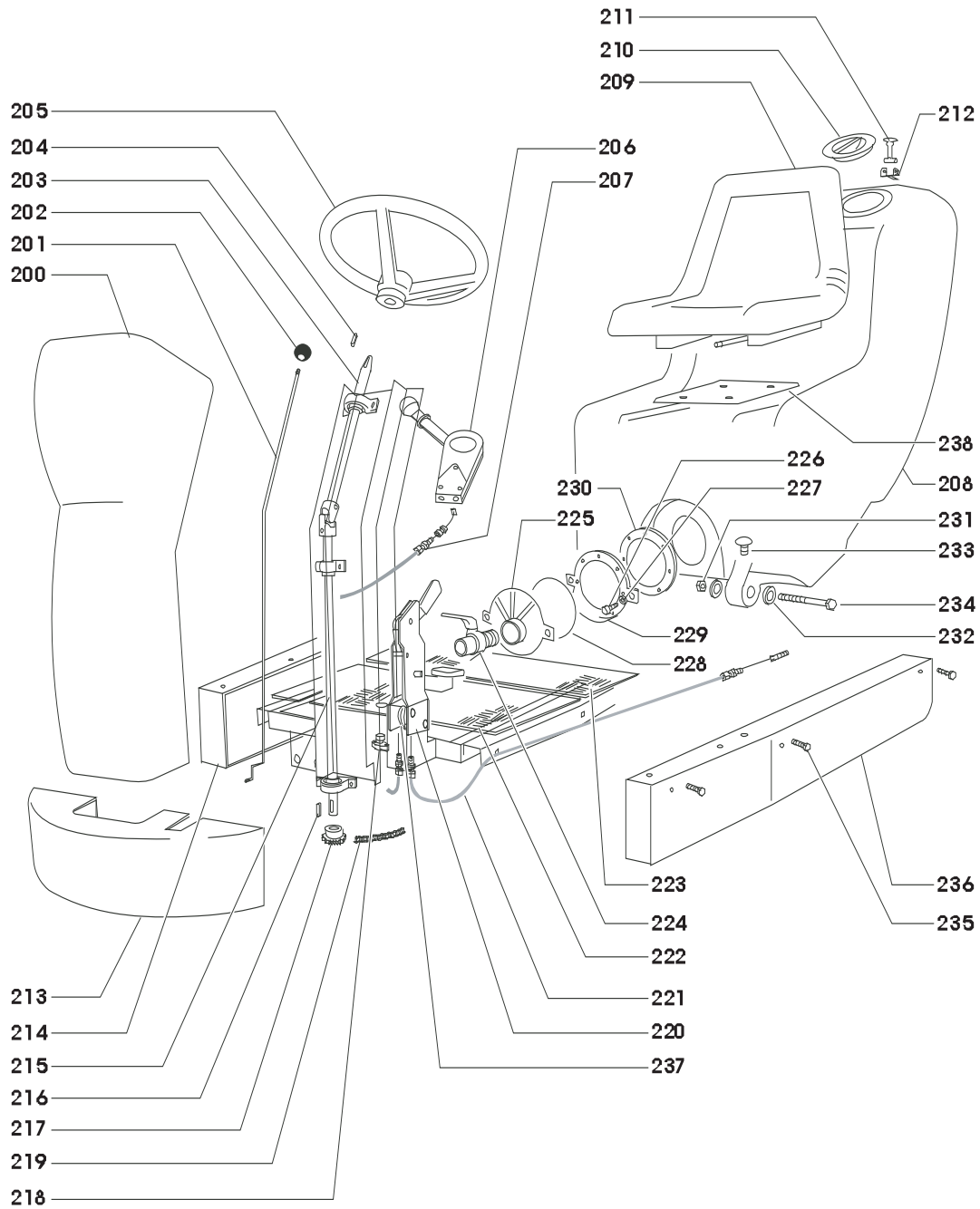
ref#	order	description
22	710.022	Washer
23	710.023	Greaser
24	710.024	Support
25	710.025	Spacer
26	710.026	Wheel
27	710.027	Plate
28	710.028	Washer
29	710.029	Screw
30	710.030	Screw
31	710.031	Spacer
32	710.032	Vat pe
33	710.033	Vat
34	710.034	Stop strip
35	PAS176	Nut
36	PAS188	Washer
38	PAS14	Rubber
39	PAS451	Accelerator
40	710.040	Washer
41	710.041	Screw
42	1000.063	Support





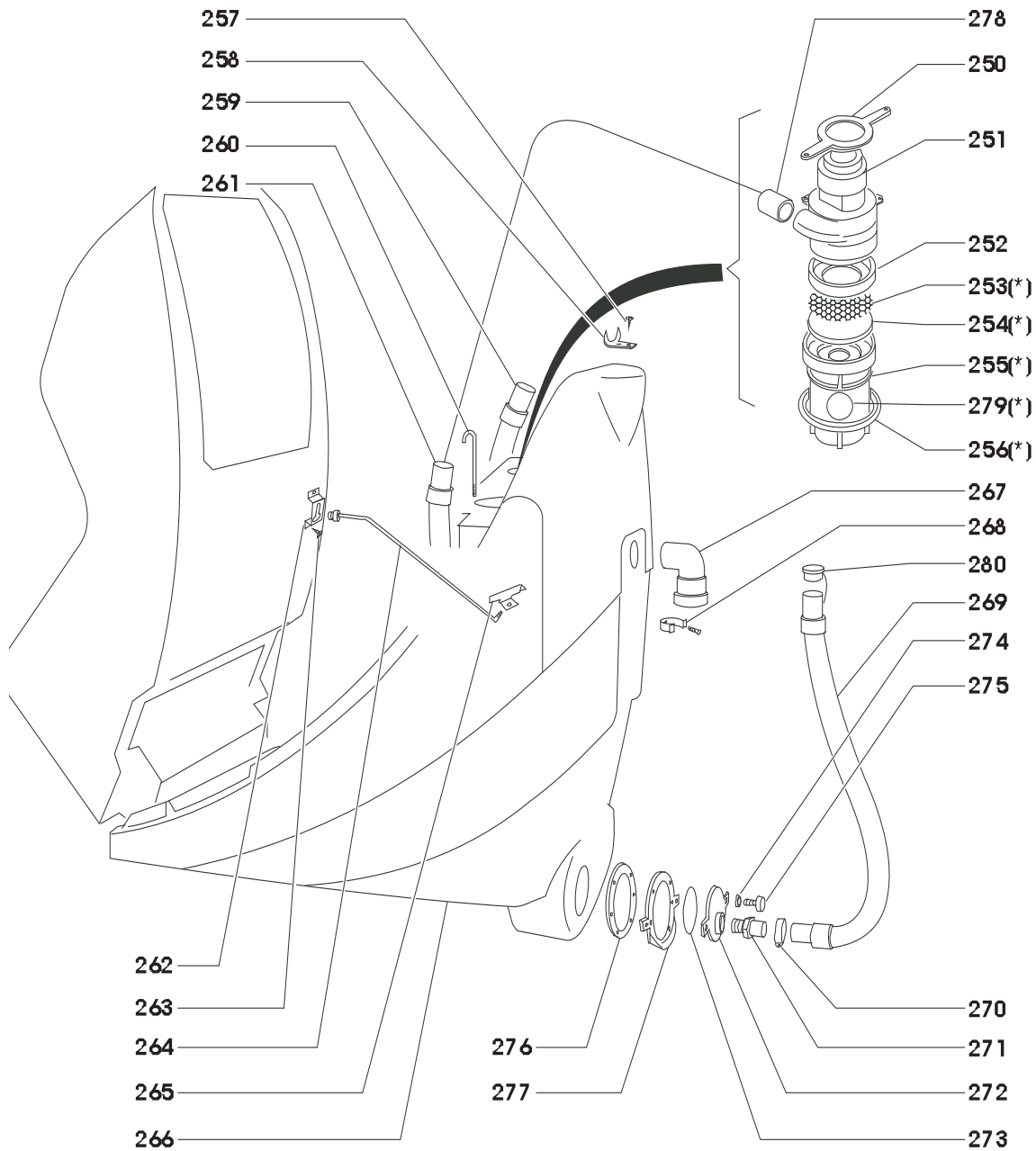
ref#	order	description
43	710.043	Rubber
44	710.044	Support
45	710.045	Plate
46	1000.020	Lever
47	710.047	Support
48	PAS416	Limit switch
70	PAS4	Geared motor
71	710.071	Support
72	710.072	Lever
73	710.073	Support
74	500.200	Nut
75	PAS137	Washer
76	PAS190	Screw
77	PAS108	Splash guard strip
78	501.047	Screw
79	PAS122	Hook
80	710.080	Plate
81	1000.131	Nut
82	PAS176	Nut
83	PAS188	Washer
84	710.084	Plate

ref#	order	description
85	PAS936	Screw
86	710.086	Plate
87	710.087	Support
88	710.088	Bushing
91	710.091	Actuator
92	500.200	Nut
93	710.093	Nylon washer
94	1000.129	Screw
95	PAS190	Screw
97	PAS924	Nut
98	PAS1	Buffer wheel
99	PAS223	Screw
100	430.018	Splash guard
101	PAS926	Screw
102	PAS5	Coupling
103	430.073	Dowel
104	PAS123	Screw
105	PAS6A	Support with spring
106	PAS67	Poly Scrub brush (2)
106	PAS68	Nylo Grit II brush (2)
106	PAS130	Strata Grit II brush (2)



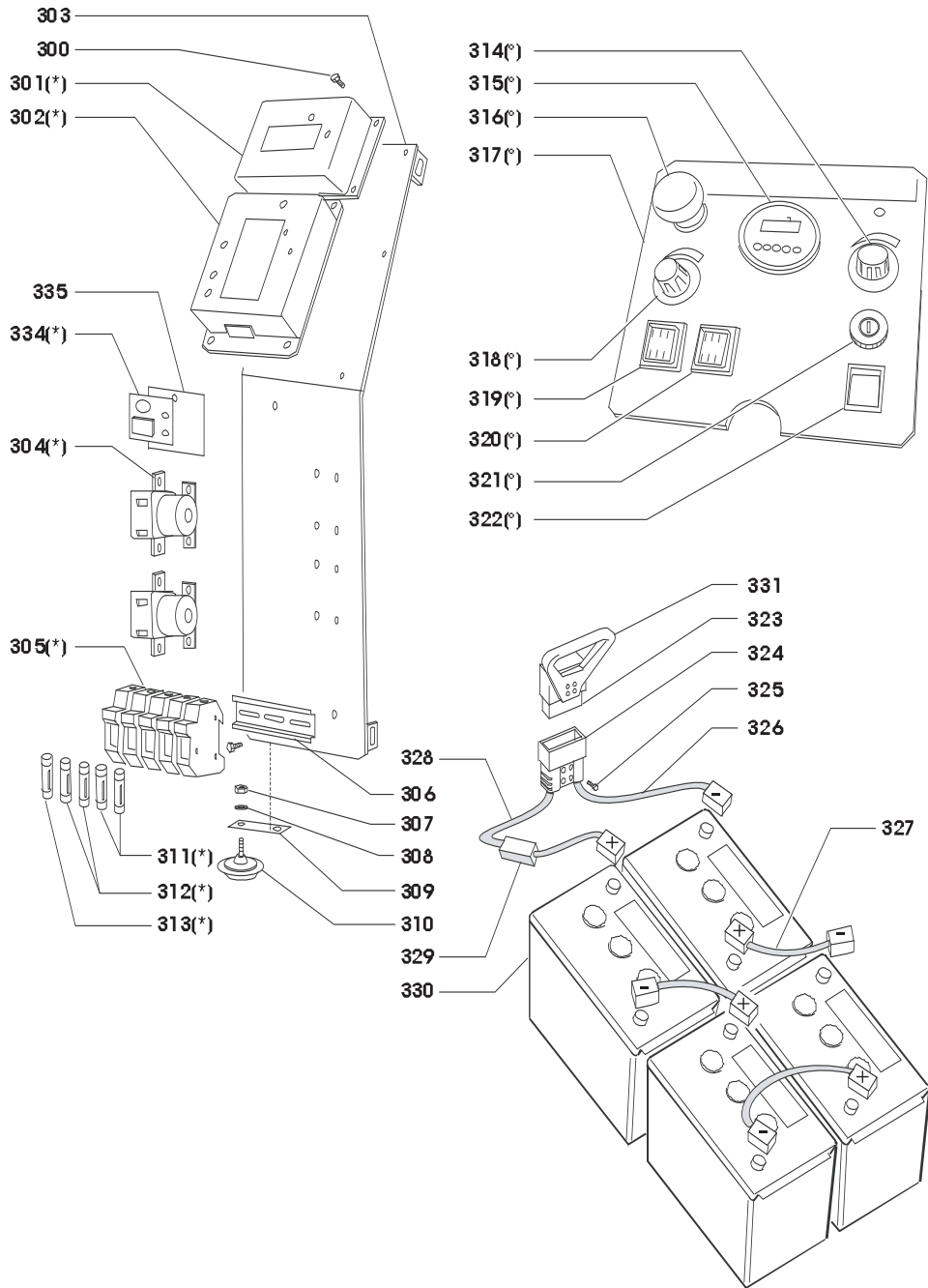
ref#	order	description
106	PAS94	Scrub Grit II brush (2)
106	PAS69	Pad driver (2)
106	PAS133	Powr Scuff brush (2)
107	PAS111	Screw
108	PAS149	Nut
109	PAS426	Cam
110	PAS427	Micro
111	PAS146	Washer
112	430.072	Screw
113	710.113	Hose fitting
114	710.114	Support
115	400.160.1	Water tap
116	1000.187	Hose collors
117	710.117	Rubber tube
118	PAS12	Water tap
119	PAS262	Nut

ref#	order	description
120	710.120	Rubber tube
121	710.121	Rubber tube
130	PAS937	Nut
131	710.131	Support
132	710.028	Washer
133	850.058	Nut
134	710.134	Support
135	710.135	Screw
136	710.088	Bushing
137	710.137	Lever
138	PAS31	Spring
139	PAS421	Piston
140	710.041	Screw
141	PAS188	Washer
143	PAS63	Pin
144	710.144	Spacer



ref#	order	description
145	710.145	Lever
146	PAS176	Nut
147	PAS64	Knob
148	710.148	Pipe
149	500.223.1	Knob
150	PAS214	Support
151	PAS212	Nylon washer
152	710.040	Washer
153	PAS191	Hose collors
154	710.154	Spacer
155	PAS422	Stop
156	PAS223	Screw
157	860.061	Screw
158	PAS1	Buffer wheel
159	PAS223	Screw
160	710.160	Washer

ref#	order	description
161	PAS924	Nut
162	PAS959	Split pin
163	PAS176	Nut
164	500.222.1	Regulator
165	710.165	Screw
166	710.166	Washer
167	PAS223	Screw
168	710.168	Screw
169	PAS261	Back strip
170	PAS144	Crepe rubber
171	PAS143	Crepe rubber
172	PAS77	Floor washing body
173	PAS145	Black rubber
174	650.178	Front streep
175	710.175	Support
176	710.176	Screw



ref#	order	description
177	710.177	Wheel
178	710.178	Spacer
179	430.311	N/A
(*)	PAS76	Rubber kit
200	710.200	Chest
201	710.201	Rod
202	PAS11	Knob
203	1000.072	Shaft
204	1000.069	Tang
205	1000.068	Steering wheel
206	710.206	Lever
207	710.207	Completecable
208	710.208	Tank
209	1000.196	Seat
210	1000.194	Plug

ref#	order	description
211	710.211	Hook
212	710.212	Support
213	710.213	Shield
214	710.214	Casing
215	710.215	Shaft
216	1000.110	Tang
217	710.217	Pinion
218	710.218	Horn
219	710.219	Chain
220	PAS410	Support
221	710.221	Complete cable
222	710.222	Floor plate 1
223	710.223	Floor plate 1
224	PAS75	Solution valve
225	500.089.1	Movable flange

ref#	order	description
226	PAS74	Knob
227	PAS186	Washer
228	PAS441	Seal
229	PAS440	Fixed flange
230	PAS70	Seal
231	1000.184	Nut
232	1000.183	Washer
233	PAS3	Filter
234	710.234	Screw
235	710.235	Screw
236	710.236	Casing
237	710.237	Sheave
238	1000.196.2	Plate
250	PAS15	Lock ring
251	1924	Suction motor
252	PAS103	Seal
253	PAS79	Net
254	PAS107	Sponge
255	PAS85	Support
256	PAS103	Seal
257	PAS243	Screw
258	710.258	Support
259	710.259	Pipe
260	401.105	Tie rod
261	710.261	Pipe
262	510.118	Plate
263	710.263	Screw
264	510.264	Rod
265	510.116	Plate
266	710.266	Tank
267	1000.279	Curve
268	PAS38	Pipe strap
269	710.269	Pipe
270	710.270	Hose collors
271	500.089.1	Hose fitting
272	PAS442	Movable flange
273	PAS441	Seal
274	PAS186	Washer
275	PAS74	Knob
276	PAS70	Seal
277	PAS440	Fixed flange

ref#	order	description
278	PAS330	Sleeve
279	PAS210	Float level
280	PAS36	Plug
(*)	PAS17	Complete float level
300	1000.293	Screw
301	710.301	Jack card
302	710.302	Traction card
303	710.303	Plate
304	PAS57	Remote control
305	860.230	Fuse holder
306	1000.288	Slide
307	1000.301	Nut
308	1000.302	Washer
309	710.309	Square
310	1000.304	Horn
311	PAS118	Fuse
312	PAS118	Fuse
313	1000.344	Fuse
314	PAS450	Potentiometer
315	710.315	Battry charge level
316	710.316	Pushbutton
317	710.317	Electric panel
318	PAS55	Potentiometer
319	PAS454	Pilot light
320	PAS54	Switch
321	PAS53NS	Key switch
322	710.322	Switch
323	710.323	Fastener
324	710.324	Pin
325	1000.300	Screw
326	710.326	Cable
327	1000.338	Cable
328	710.328	Cable
329	710.329	Fuse
330	710.330	Hose battery425 ah
331	PAS446	Handle
334	710.334	Diode card
335	710.333	Plate
(*)	710.332	Electric plant
(°)	710.333	Panel plant



A Tacony Company
3101 Wichita Court • Ft. Worth, TX 76140-1710