

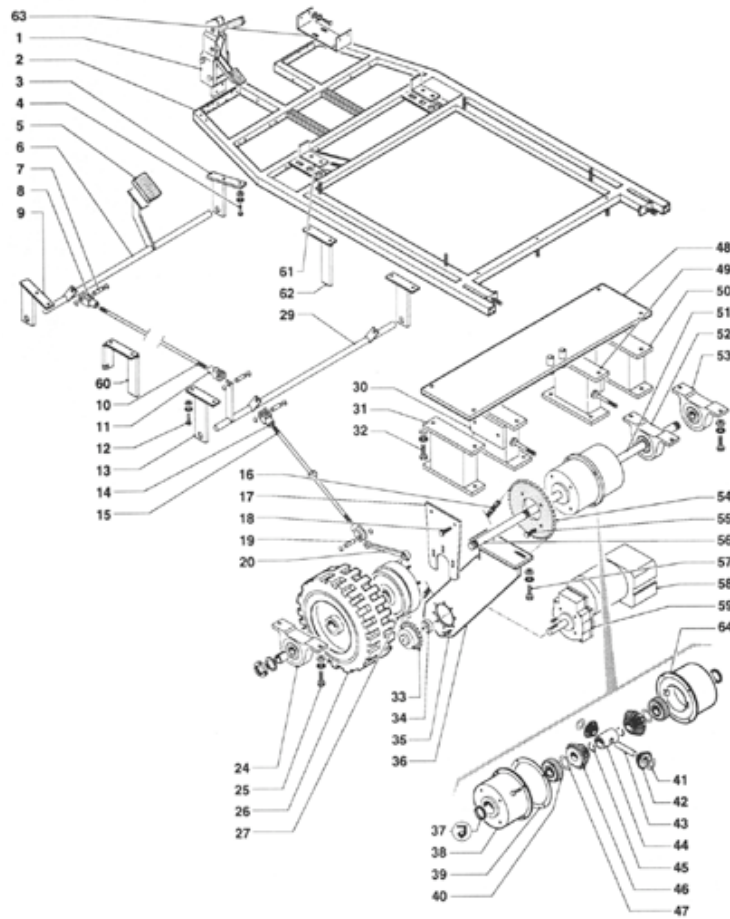
Predator Automatic Scrubber 40

PARTS LIST

Model PAS40R

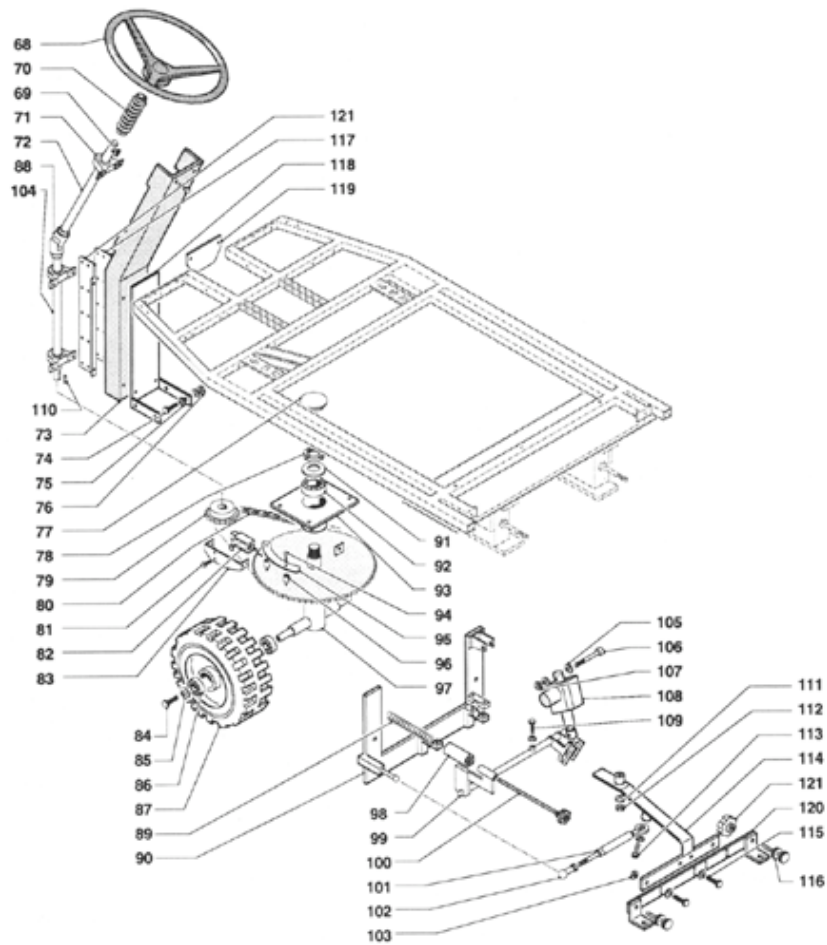


WARNING: OPERATOR MUST READ AND UNDERSTAND THIS MANUAL COMPLETELY BEFORE OPERATING THIS EQUIPMENT.



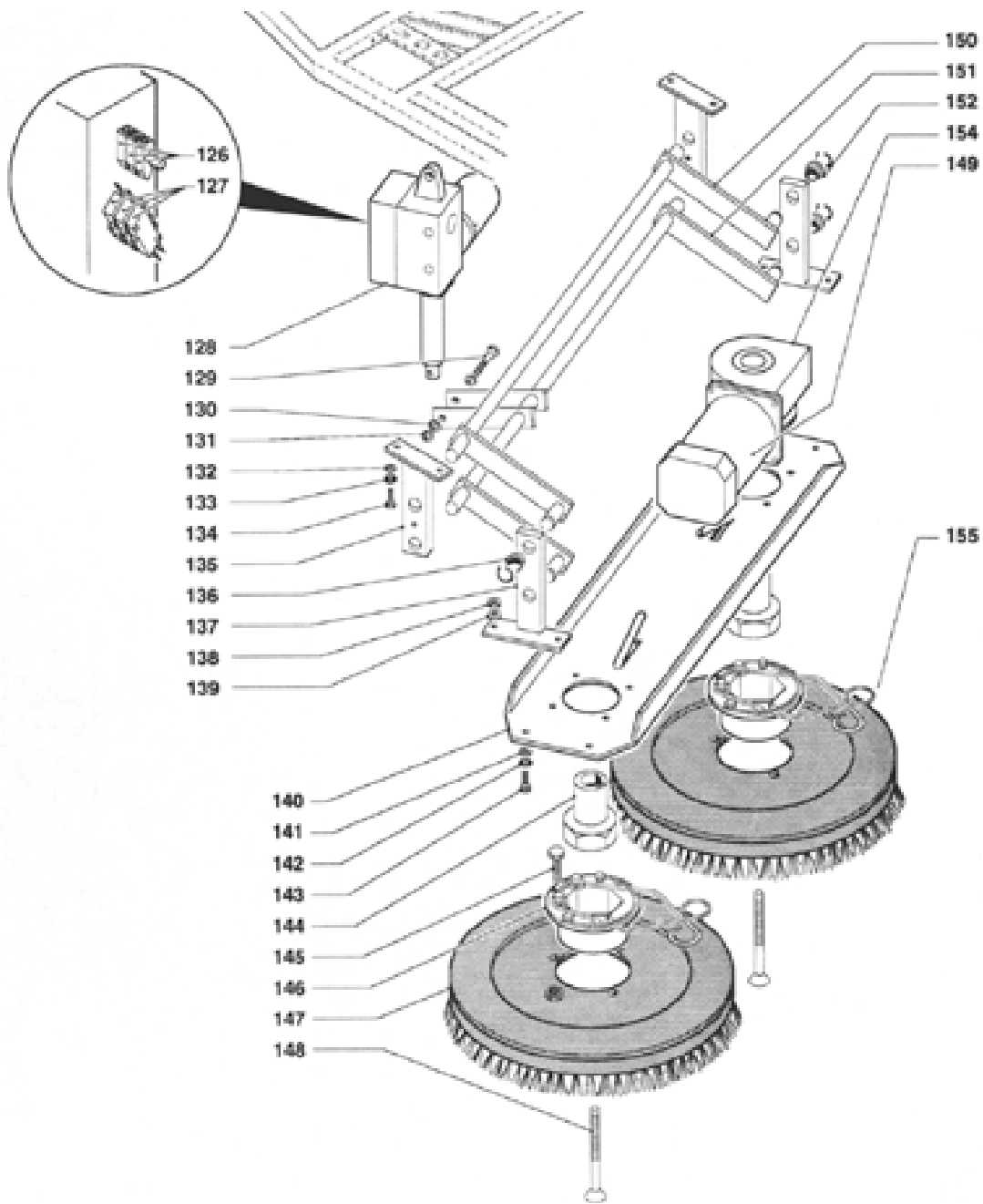
Pos #	Product #	Description
01	PAS410	SUPPORT
02	1000.002	FRAME
03	1000.003	YOKE
04	1000.004	SCREW
05	1000.005	RUBBER
06	1000.006	BRAKE LEVER
07	1000.007	PIN
08	1000.008	FORK
09	1000.009	YOKE
10	1000.010	TIE ROD
11	1000.008	FORK
12	1000.004	SCREW
13	1000.013	YOKE
14	1000.008	FORK
15	PAS411	TIE ROD
16	1000.016	CHAIN
17	1000.017	PLATE
18	1000.018	SCREW
19	1000.007	PIN
20	1000.020	LEVER
24	PAS412	SUPPORT
25	1000.025	SCREW
26	PAS413	WHEEL
27	1000.027	BRAKE
28	1000.013	YOKE
29	1000.029	SHAFT
30	1000.030	SUPPORT
31	1000.031	SUPPORT
32	1000.032	SCREW
33	1000.033	PINION
34	1000.034	SPACER

Pos #	Product #	Description
35	1000.035	SCREW
36	1000.036	PLATE
37	1000.037	SEAL RING
38	1000.038	BELL
39	1000.039	SEAL
40	1000.040	BEARING
41	1000.041	RING
42	1000.042	PLANETARY
43	1000.043	PIN
44	1000.044	SPACER
45	1000.045	STOP
46	1000.046	PUNET GEAR
47	1000.047	RING
48	1000.048	PLATE
49	1000.049	SUPPORT
50	1000.050	SUPPORT
51	1000.051	SHAFT
52	1000.024	SUPPORT
53	1000.024	SUPPORT
54	1000.054	RINGEAR
55	1000.055	SCREW
56	1000.056	SHAFT
57	1000.057	SCREW
58	PAS414	MOTOR
59	1000.059	REDUCTION GEAR
60	1000.060	STOP
61	1000.061	STOP
62	1000.062	STOP
63	1000.063	SUPPORT
64	1000.064	BELL



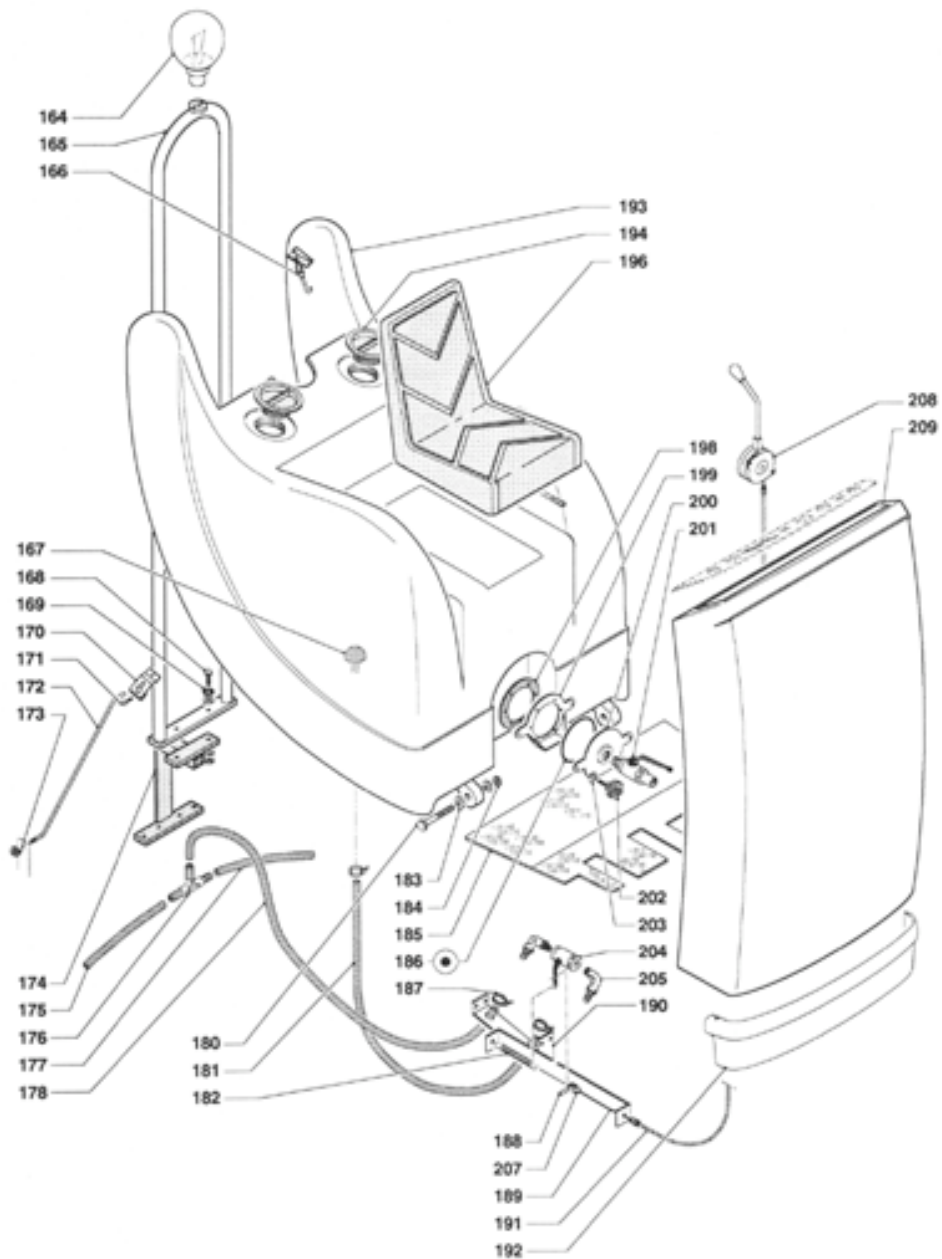
Pos #	Product #	Description
68	1000.068	STEERING WHEEL
69	1000.069	KEY
70	1000.070	SHIELD
71	1000.071	SUPPORT
72	1000.072	SHAFT
73	1000.073	SUPPORT
74	1000.074	SCREW
75	1000.075	WASHER
76	1000.076	NUT
77	1000.077	PLUG
78	1000.078	RING NUT
79	1000.079	PINION
80	PAS415	CHAIN
81	1000.081	SCREW
82	PAS416	LIMIT SWITCH
83	1000.083	YOKE
84	1000.084	SCREW
85	1000.085	WASHER
86	PAS417	BEARING
87	PAS418	WHEEL
88	1000.088	JOINT
89	1000.089	SPRING
90	1000.090	SUPPORT
91	1000.091	RING
92	1000.092	BEARING
93	1000.093	FLANGE
94	1000.094	SCREW

Pos #	Product #	Description
95	1000.095	CAM
96	1000.096	SPACER
97	1000.097	SUPPORT
98	1000.098	STOP
99	PAS419	LEVER
100	PAS420	SCREW
101	PAS421	PISTON
102	PAS422	STOP
103	1000.103	NUT
104	1000.104	SHAFT
105	1000.105	WASHER
106	1000.106	SCREW
107	1000.107	NUT
108	PAS423	ACTUATOR
109	1000.109	SCREW
110	1000.110	KEY
111	1000.111	WASHER
112	1000.112	NUT
113	1000.113	SCREW
114	PAS424	LEVER
115	1000.115	SCREW
116	1000.116	REGULATOR
117	1000.117	PLATE
118	1000.118	PLATE
119	1000.119	PLATE
120	PAS425	SUPPORT
121	S00.223.1	KNOB



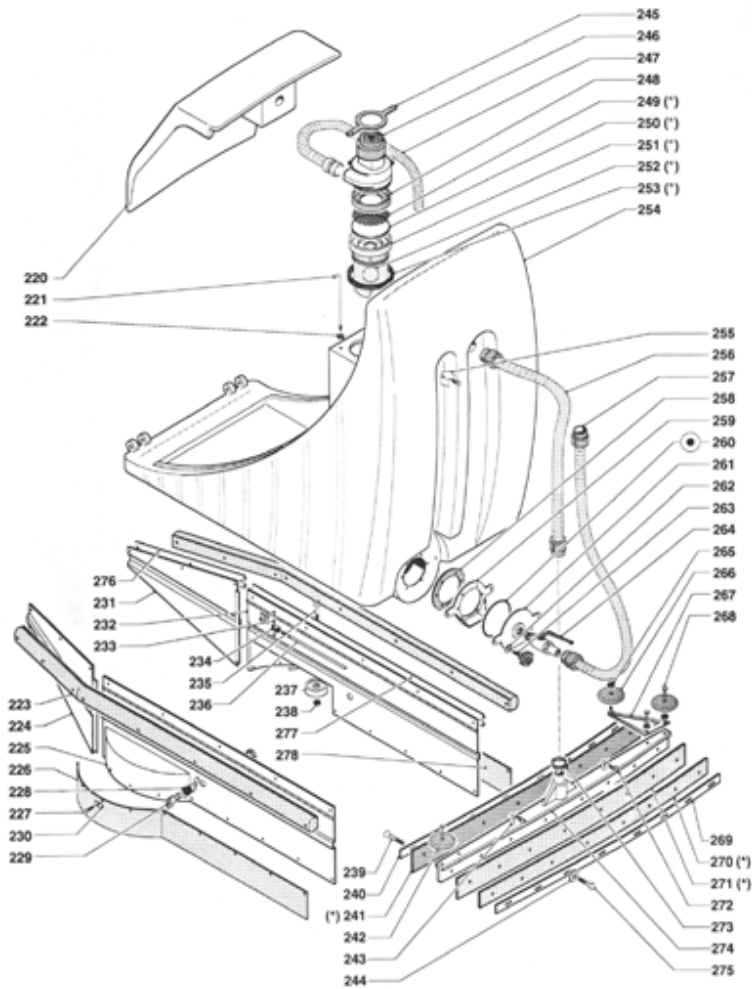
Pos #	Product #	Description
126	PAS426	CAM
127	PAS427	MICRO
128	PAS428	MOTOR
129	1000.129	SCREW
130	1000.130	WASHER
131	1000.131	NUT
132	1000.132	WASHER
133	1000.133	WASHER
134	1000.134	SCREW
135	1000.135	YOKE
136	1000.136	BUSHING
137	1000.137	YOKE
138	1000.138	NUT
139	1000.139	WASHER
140	1000.140	PLATE
141	1000.141	WASHER
142	10.00.142	WASHER
143	1000.143	SCREW

Pos #	Product #	Description
144	PAS429	COUPLING
145	1000.145	SCREW
146	PAS6	SUPPORT WITH SPRING
147	PAS600	20" PAD DRIVER
147	PAS601	19" POLY STIFF BRUSH
147	PAS602	19" POWER-SCUFF BRUSH
147	PAS603	19" POWER SCRUB II BRUSH
147	PAS604	19" POWER NYLON BRUSH
147	PAS605	19" STRATA BRIT BRUSH
148	1000.148	SCREW
149	PAS430	MOTOR
150	1000.150	LEVER
151	1000.151	LEVER
152	1000.152	BUSHING
154	PAS431	REDUCTION GEAR
155	PAS7	SPRING



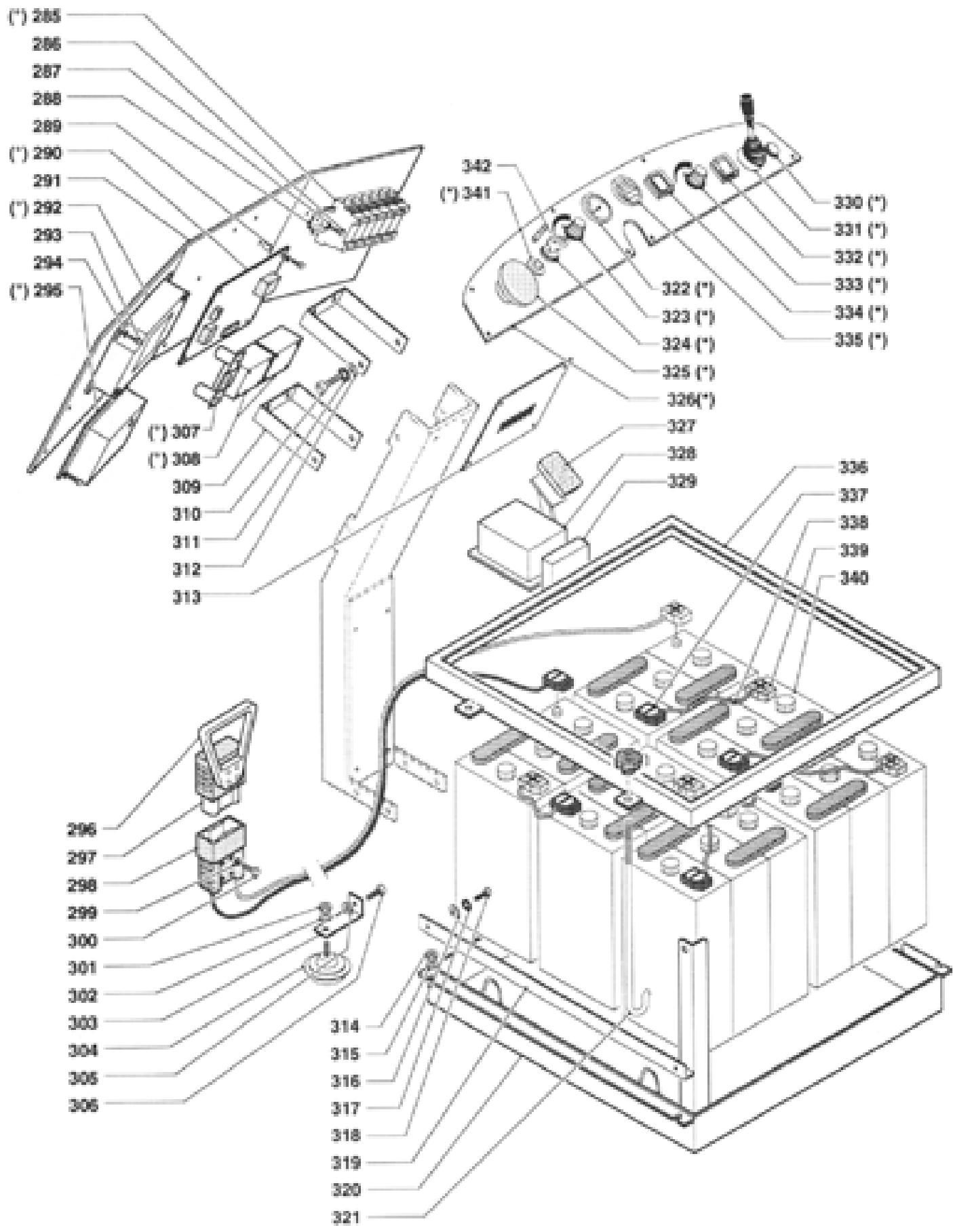
Pos #	Product #	Description
164	PAS432	LAMP
165	1000.165	LAMP HOLDER
166	PAS433	HOOK
167	PAS3	FILTER
168	1000.168	SCREW
169	1000.169	WASHER
170	1000.170	PLATE
171	1000.171	SCREW
172	PAS434	ROD
173	1000.173	NUT
174	1000.174	SUPPORT
175	1000.175	RUBBER TUBE
176	PAS435	HOSE FITTING
177	1000.177	RUBBER TUBE
178	PAS436	RUBBER TUBE
180	1000.180	SCREW
181	1000.181	QUICK CONNECTION
182	1000 1A7	SPRING
183	1000.183	WASHER
184	1000.184	NUT
185	1000.185	FLOOR PLATES

Pos #	Product #	Description
186	500.083.1	SEAL
187	1000.187	HOSE COLLARS
188	1000.188	PIN
189	PAS168	WIRE
191	PAS171	SHEATHING
192	1000.192	SHIELD
193	1000.193	TANK
194	1000.194	PLUG
196	1000.196	SEAT
198	500.078	SEAL
199	500.079.1	FIXED FLANGE
200	500.089.1	MOVABLE FLANGE
201	PAS75	BALL VALVE
202	PAS74	KNOB
203	500.085	WASHER
204	PAS437	BALL VALVE
205	1000.205	HOSE FITTING
206	PAS438	YOKE
207	1000.207	FORK
208	1000.208	METERING DEVICE
209	1W0.209	CHEST



Pos #	Product #	Description
(°)	1000.276	COMPLETE FLOAT LEVEL
(*)	1000.277	KIT RUBBER
220	1000.220	CHEST
221	401.105	TIE ROD
222	430 070	NUT
223	1000.223	RUBBER
224	1000.224	CASING
225	1000.225	CASING
226	PAS439	SPLASH GUARD
227	1000.227	RUBBER
228	PAS179	KEY ASSY FOR PAD SHROUD
229	PAS179	KEY ASSY FOR PAD SHROUD
230	1000.230	WASHER
231	1000.Z31	KEY FOSSY FOR PAD SHROUD
232	1000.232	KEY FOSSY FOR PAD SHROUD
233	1000.233	PIN
234	1000.234	FORK
235	1000.235	SCREW
236	1000.236	ROD
237	1000.237	WHEEL
238	1000.238	NUT
239	PAS223	SCREW
240	PAS938	FRONT STRIP
241	PAS931	BLACK RUBBER
242	PAS1	BUFFER WHEEL
243	PAS942	SUPPORT STUD
244	PAS941	WASHER
245	PAS15	STRAP
246	850.247	MOTOR
247	PAS37	DRAIN HOSE

Pos #	Product #	Description
248	PAS102	SEAL
249	06.169	FILTER
250	500.069	SPONGE
251	PAS85	SUPPORT
252	PAS210	FLOAT LEVEL
253	PAS103	SEAL
254	1000.254	TANK
255	1000.255	PIPE STRAP
256	PAS80	SUCTION PIPE
257	1000.257	PIPE
258	PAS70	SEAL
259	PAS440	FIXED FLANGE
260	PAS441	SEAL
261	PAS442	MOVABLE FLANGE
262	PAS186	WASHER
263	PAS74	KNOB
264	PAS75	BALL VALVE
265	PAS935	NUT
266	PAS1	BUFFER WHEEL
267	PAS182	SUPPORT
268	PAS936	SCREW
269	PAS940	BACK STRIP
270	PAS939	CREPE RUBBER
271	PAS933	CREPE RUBBER
272	PAS959	SPLIT PIN
273	PAS191	HOSE COLLARS
274	PAS932	FLOOR WASHING BODY
275	PAS223	SCREW
276	1000.276	GUIDE
277	1000.277	GUIDE
278	1000.278	SPLASH GUARD



Pos #	Product #	Description
(°)	1000.341	ELECTRIC PLANT
(*)	1000.342	PANEL PLANT
285	PAS954	FUSE HOLDER
286	1000.286	SCREW
287	1000.287	WASHER
288	1000.288	SLIDE
289	1000.289	SPACER
290	PAS443	ELECTRONIC CARD
291	1000.291	SUPPORT
292	PAS444	TRACTION CARD
293	1000.293	SCREW
294	1000.294	WASHER
295	PAS445	JACK CARD
296	PAS446	HANDLE
297	PAS447	FASTENER
298	1000.298	PIN
299	1000.299	WASHER
300	1000.300	SCREW
301	1000.301	NUT
302	1000.302	WASHER
303	1000.303	SQUARE
304	1000.304	HORN
305	1000.305	NUT
306	1000.306	SCREW
307	PAS448	FUSE
308	PAS449	CONDENSER
309	1000.309	YOKE
310	1000.310	SCREW
311	1000.311	WASHER
312	1000.312	WASHER
313	1000.313	PLATE

Pos #	Product #	Description
314	1000.314	NUT
315	1000.315	WASHER
315	1000.316	WASHER
317	1000.317	WASHER
318	1000.318	SCREW
319	1000.319	STOP STRIP
320	1000.320	SUPPORT
321	1000.321	TIE ROD
322	1000.322	HOUR COUNTER
323	PAS450	POTENTIOMETER
324	PAS53NS	MASTER SWITCH/KEY
324A	PAS53KNS	KEY
325	1000.325	PUSH BUTTON
326	1000.326	ELECTRIC PANEL
327	1000.327	RUBBER
328	PAS451	LINKAGE
329	1000.329	BUZZER
330	1000.330	PUSH BUTTON
331	PAS452	LEVER
322	PAS54	SWITCH
333	PAS4536	SWITCH
334	PAS454	POTENTIOMETER
335	1000.335	AMMETER
336	1000.336	BLOCK
337	1000.337	CLAMP
338	1000.338	CABLE
339	1000.339	CLAMP
340	1000.340	HOSE BATTERY
340	1000.332.1	ARMATURE BATTERY
340	1000.332.2	PLATE BATTERY
341	1000.341	FUSE HOLDER

TECHNICAL CHARACTERISTICS
POWR-FLITE PREDATOR 40" AUTOSCRUBBER MODEL PAS40R

Area per hour	64,000 sq. ft.	5,945 sq. meters
Solution tank	45 gallons	170 liters
Recovery tank	45 gallons	170 liters
Cleaning width	40 inches	101.6 cm
Squeegee Width	46 inches	116.8 cm
Brush pressure	200 lbs. - 400 lbs.	91 kg - 181 kg
Brush speed	225 rpm	225 rpm
Brushes	2 ea. 20 inch	2 x 50.8 cm
Brush motor	2 ea. 3/4 hp	2 ea. 3/4 hp
Brush pressure motor	1-1/4 hp	1-1/4 hp
Vacuum motor	2 ea. 1/2 hp, 3 stage by-pass	2 ea. 1/2hp, 3 stage by-pass
Drive motor System	Transverse	Transverse
Supply voltage	36 volt	36 volt
Continuous Run Time	4 - 6 hours	6 hours
Operating time	6 - 8 hours	6 - 8 hours
Battery requirement	6 - 6 volt- 244 ah	6 - 6 volt- 244 ah
Weight	880 lbs w/o batteries	400 kgs. w/o batteries
Dimensions	70.8" L x 41.3" W x 67" H	179.8 cm L x 105 cm W x 170 cm H



A Tacony Company
 3101 Wichita Court • Ft. Worth, TX 76140-1710