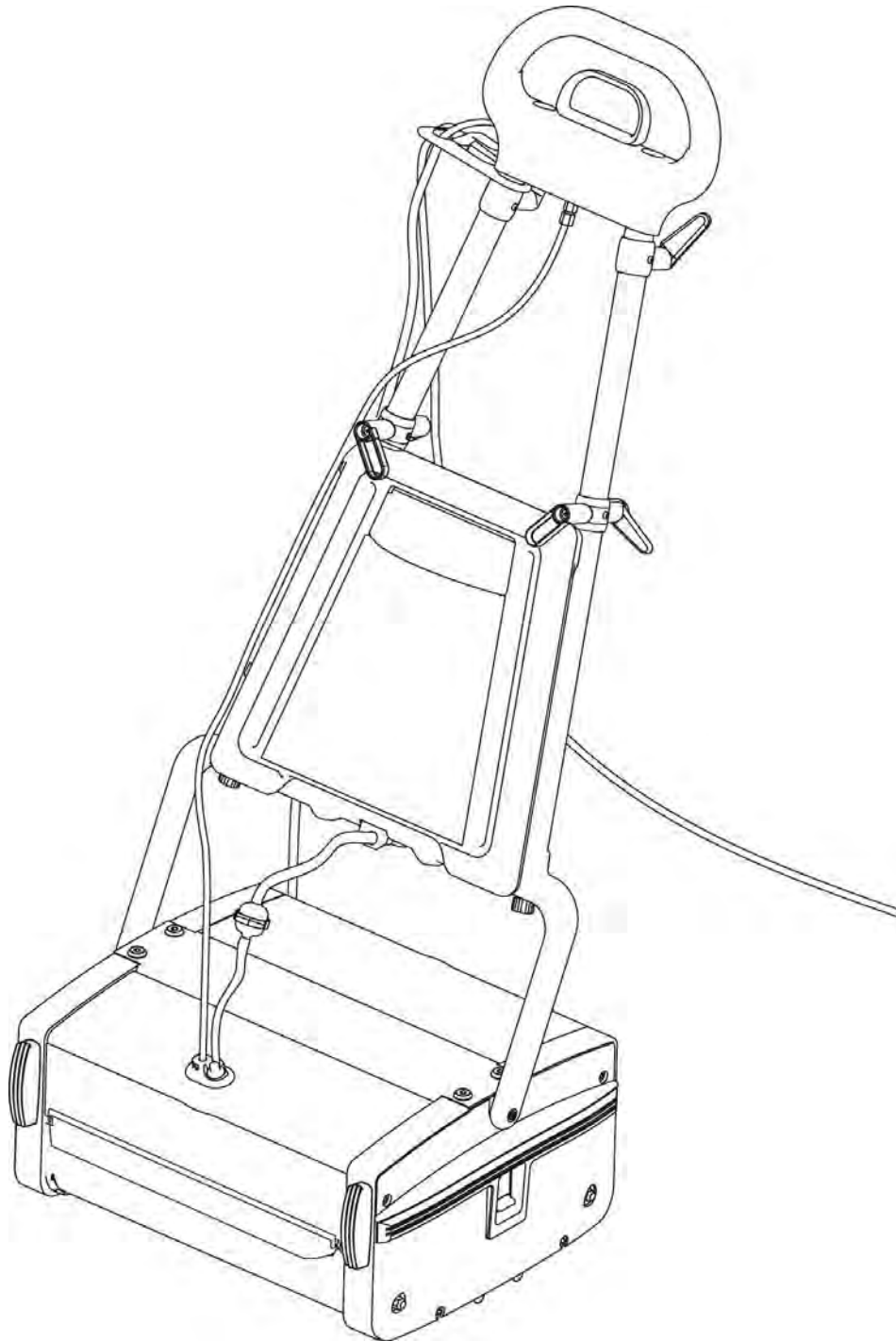
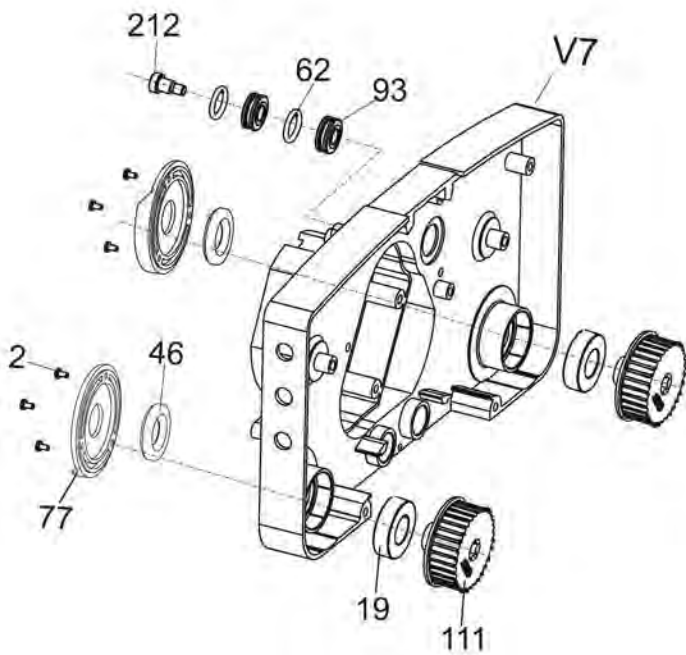
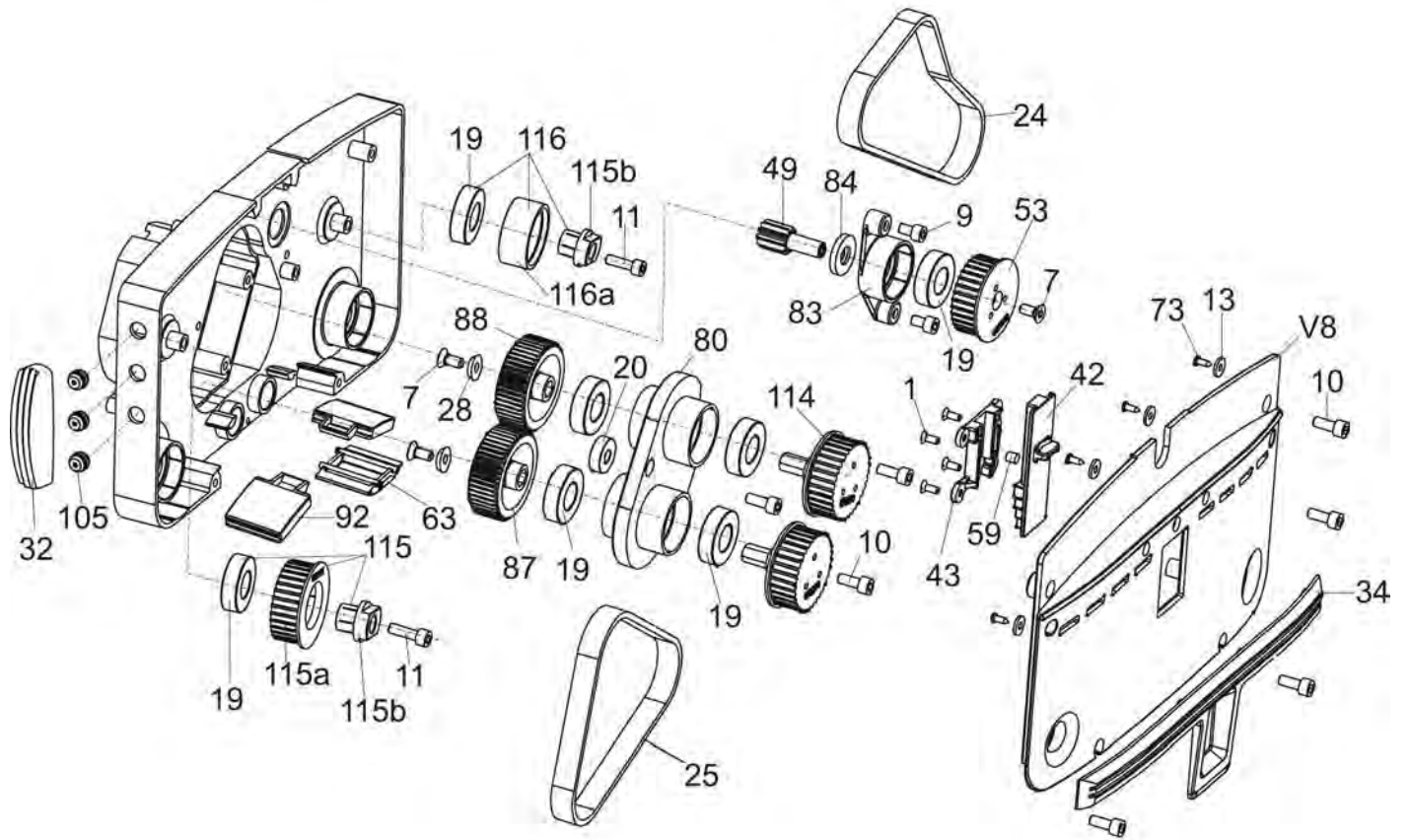


PFMW14

PARTS LIST



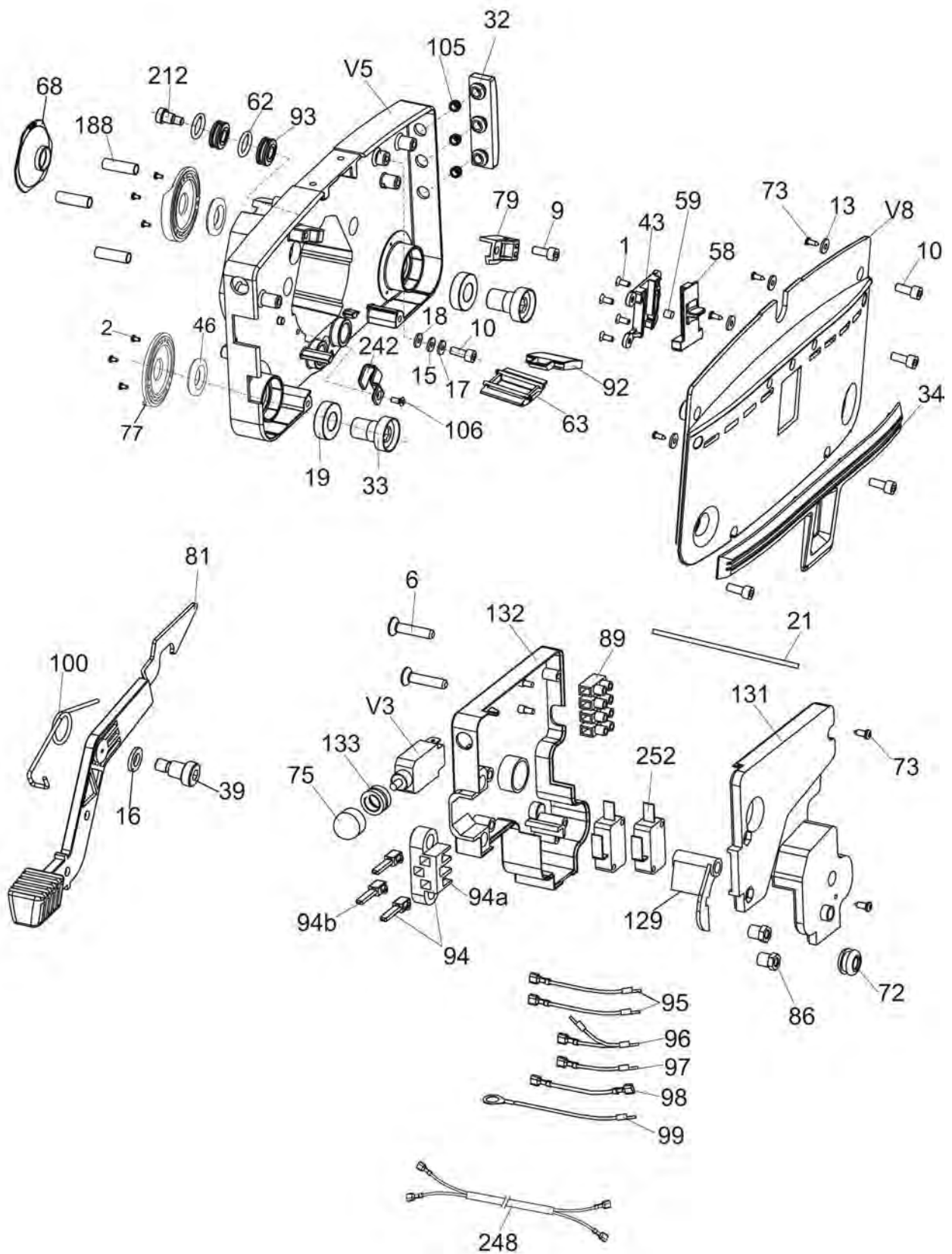
Housing-Drive Side



Housing-Drive Side

Ref. No	Part No	Description	Size	Qty
1	90-0258-0000	CSK SCREW	M4x10	4
2	90-0001-0000	CRPH SCREW	M3x6	6
7	90-0143-0000	CSK SCREW	M6x14	3
9	90-0293-0000	ALLEN SCREW	M6x10	2
10	90-0144-0000	ALLEN SCREW	M6x16	7
11	90-0005-0000	ALLEN SCREW	M6x20	2
13	90-0007-0000	WASHER	4.2x12x1.6	4
19	90-0009-0000	BEARING	6003 2RS	9
20	90-0121-0000	BEARING	608 2Z	1
24	90-0011-0000	BELT	500 5 M	1
25	90-0012-0000	BELT	425 5 M	1
28	90-0152-0000	WASHER		2
32	90-0154-0000	BUMPER		1
34	90-0156-0000	BUMPER		1
42	90-0024-0000	SLIDER BRUSH		1
43	90-0025-0000	SLIDER HOUSING		1
46	90-0027-0000	SEAL		2
49	90-0029-0000	PINION		1
53	90-0031-0000	DRUM SPROCKET		1
59	90-0035-0000	PIN		1
62	90-0176-0000	O' RING		2
63	90-0040-0000	SHIELD		1
73	90-0183-0000	SELF TAPPING SCREW		4
77	90-0020-0000	CAP		2
80	90-0285-0000	GEAR HOUSING		1
83	90-0268-0000	HOUSING SPROCKET		1
84	90-0264-0000	SEAL		1
87	90-0286-0000	GEAR - LH		1
88	90-0287-0000	GEAR - RH		1
92	90-0267-0000	SHIELD		2
93	90-0294-0000	ROLLER		2
105	90-0390-0000	BUMPER SLEEVE		3
111	90-0061-0000	BRUSH SPROCKET		2
114	90-0063-0000	GEAR SPROCKET		2
115	90-0065-0000	IDLER ASSY		1
115a	90-0169-0000	SPROCKET		1
115b	90-0161-0000	HUB		2
116	90-0197-0000	IDLER ASSY		1
116a	90-0166-0000	SLEEVE		1
212	90-0392-0000	STUB AXLE		1
V7	552580171	DRIVE HOUSING		1
V8	552580180	COVER		1

Housing-Idle Side (Continued on page 18)



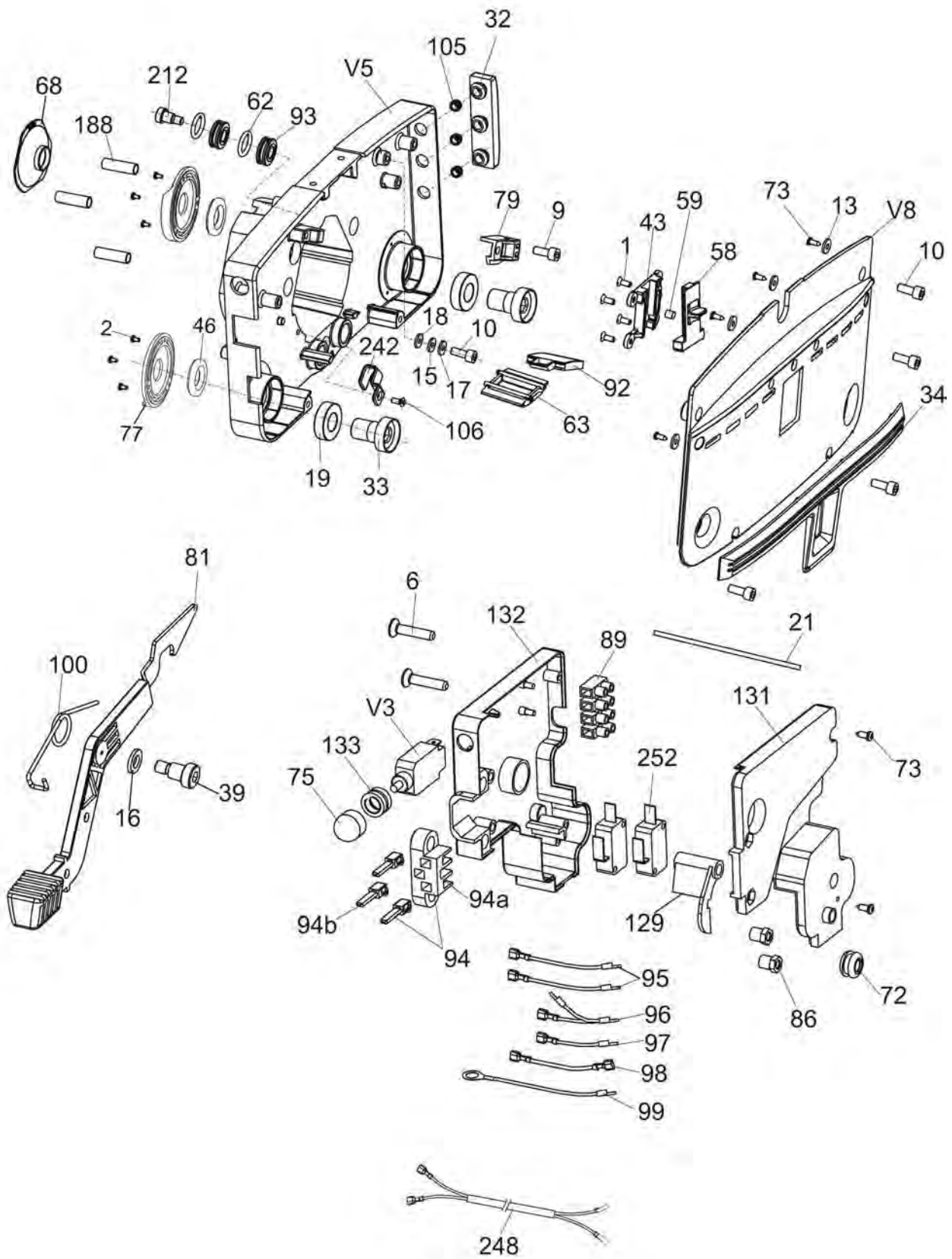
Housing-Idle Side

Ref. No	Part No	Description	Size	Qty
1	90-0258-0000	CSK SCREW	M4x10	4
2	90-0001-0000	CRPH SCREW	M3x6	6
6	90-0261-0000	CSK SCREW	M5x25	2
9	90-0293-0000	ALLEN SCREW	M6x10	1
10	90-0144-0000	ALLEN SCREW	M6x16	6
13	90-0007-0000	WASHER	4.2x12x1.6	4
15	90-0147-0000	WASHER	6.4x12x1.6	1
16	90-0395-0000	WASHER	9x17x1.6	1
17	90-0298-0000	SPRING WASHER	M6	1
18	90-0148-0000	TOOTHED WASHER	M6	1
19	90-0009-0000	BEARING	6003 2RS	2
21	90-0149-0000	WIRE TIE		3
32	90-0154-0000	BUMPER		1
33	90-0155-0000	BUSH		2
34	90-0156-0000	BUMPER		1
39	90-0123-0000	STUB AXLE		1
43	90-0025-0000	SLIDER HOUSING		1
46	90-0027-0000	SEAL		2
58	90-0033-0000	SLIDER TRANSPORT		1
59	90-0035-0000	PIN		1
62	90-0176-0000	O' RING		2
63	90-0040-0000	SHIELD		1
68	90-0179-0000	FAN COVER		1
72	90-0045-0000	GROMMET		1
73	90-0183-0000	SELF TAPPING SCREW		6
75	90-0048-0000	CAP		1
77	90-0020-0000	CAP		2
79	90-0188-0000	STOPPER		1
81	90-0259-0000	PEDAL		1
86	90-0297-0000	NUT		2
89	90-0269-0000	CONNECTOR		1
92	90-0267-0000	SHIELD		1
93	90-0294-0000	ROLLER		2
94	90-0290-0000	SOCKET ASSY		1
94a	90-0291-0000	SOCKET		1
94b	90-0292-0000	TERMINAL		3
95	90-0278-0000	CABLE		2
96	90-0279-0000	CABLE		1
97	90-0280-0000	CABLE		1
98	90-0281-0000	CABLE		1

(Continued on page 19)

PF MW 14

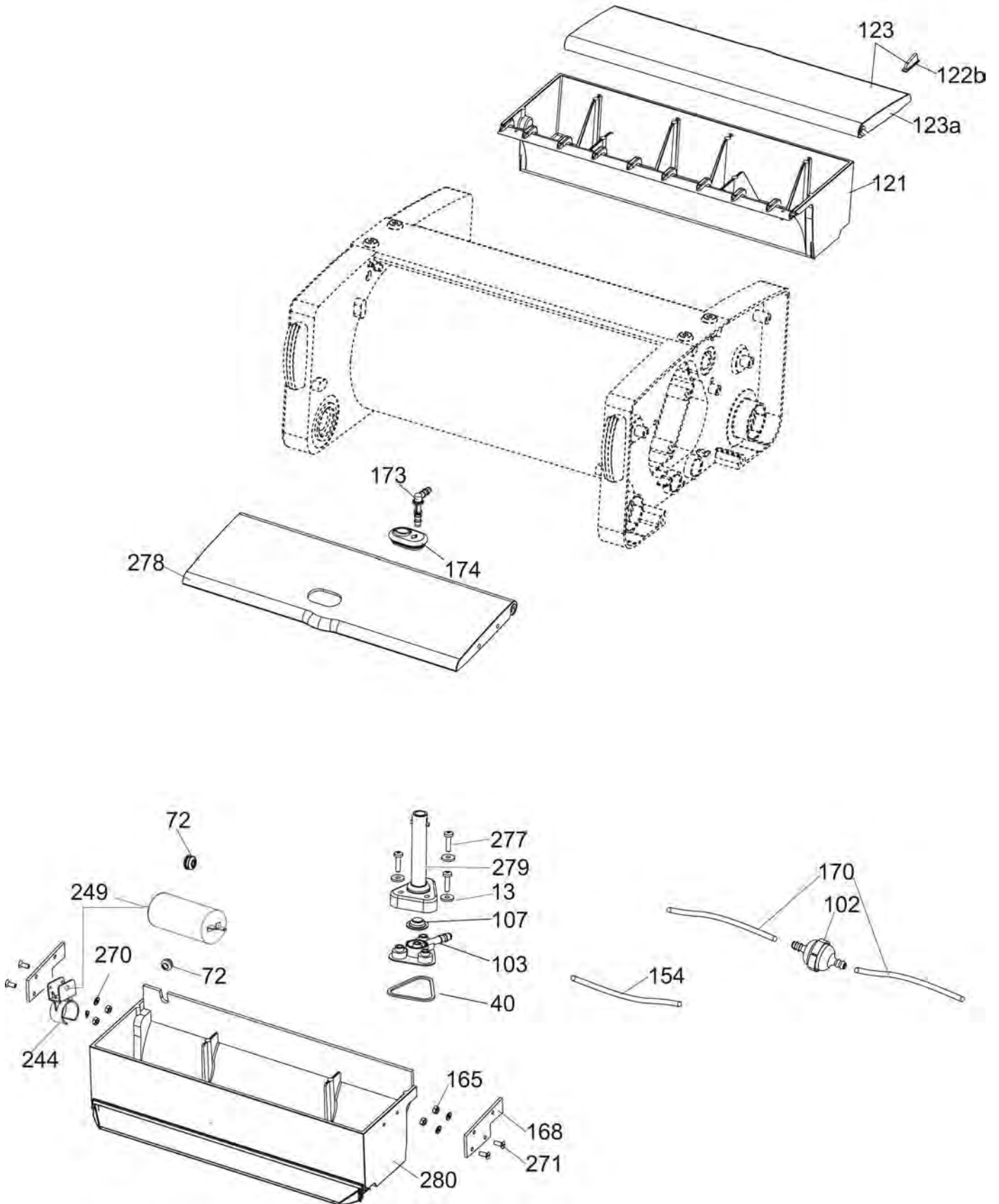
Housing-Idle Side (Continued from page 16)



Housing-Idle Side (Continued from page 17)

Ref. No	Part No	Description	Size	Qty
99	90-0282-0000	CABLE		1
100	90-0260-0000	SPRING-PEDAL		1
105	90-0390-0000	BUMPER SLEEVE		3
106	90-0396-0000	CSK SCREW	M4x8	1
129	90-0265-0000	LEVER SWITCH ACT		1
131	90-0262-0000	INSULATION TOP		1
132	90-0263-0000	INSULATION BOTTOM		1
133	90-0295-0000	NUT		1
188	90-0397-0000	SLEEVE TIE ROD		3
212	90-0392-0000	STUB AXLE		1
242	33864	CLAMP WIRE		1
248	33865	CABLE ASSY		1
252	33866	SWITCH 21A		2
V3	90-0056-0000	CIRCUIT BREAKER (10A)		1
V5	552580172	IDLE HOUSING		1
V8	552580180	COVER		1

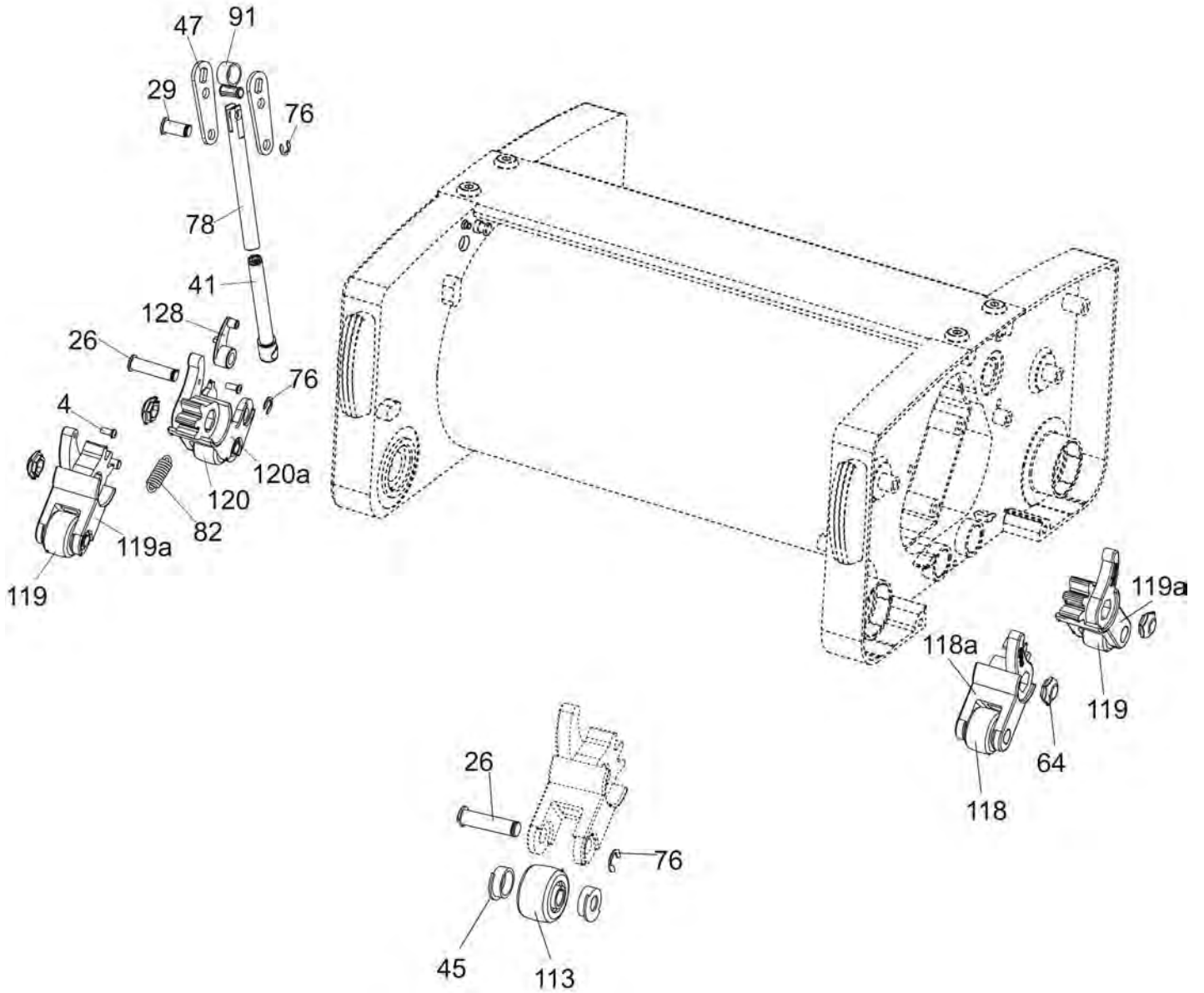
Pump Housing



Pump Housing

Ref. No	Part No	Description	Size	Qty
13	90-0007-0000	WASHER		3
40	90-0023-0000	GASKET		1
72	90-0045-0000	GROMMET		2
102	90-0113-0000	FILTER		1
103	90-0192-0000	BODY-VALVE-34T		1
107	90-0224-0000	SEAL-W34T		1
121	90-0072-0000	DIRTY WATER TANK		1
122b	90-0055-0000	LID PAD		2
123	90-0075-0000	LID ASSY-DIRTY WATER		1
123a	90-0184-0000	LID-DIRTY WATER		1
154	90-0104-0000	HOSE-275		1
165	90-0141-0000	HEX NUT	M4	7
168	90-0349-0000	STRIP LID		2
170	90-0403-0000	HOSE-165		2
173	90-0404-0000	HOSE CONNECTOR		1
174	90-0405-0000	BOOT-LID		1
244	33872	CLAMP CAPACITOR		1
249	33879	CAPACITOR-63.5MFD		1
270	33874	WASHER	M4X12X0.5	4
271	33875	CSK SCREW	M4X15	4
277	818106	CRPH SCREW	M4X16	3
278	90-0074-0000	LID TANK-PF		1
279	552530028	CAP VALVE-34T-110V		1
280	90-0077-0000	TANK ASSY W/LABEL		1

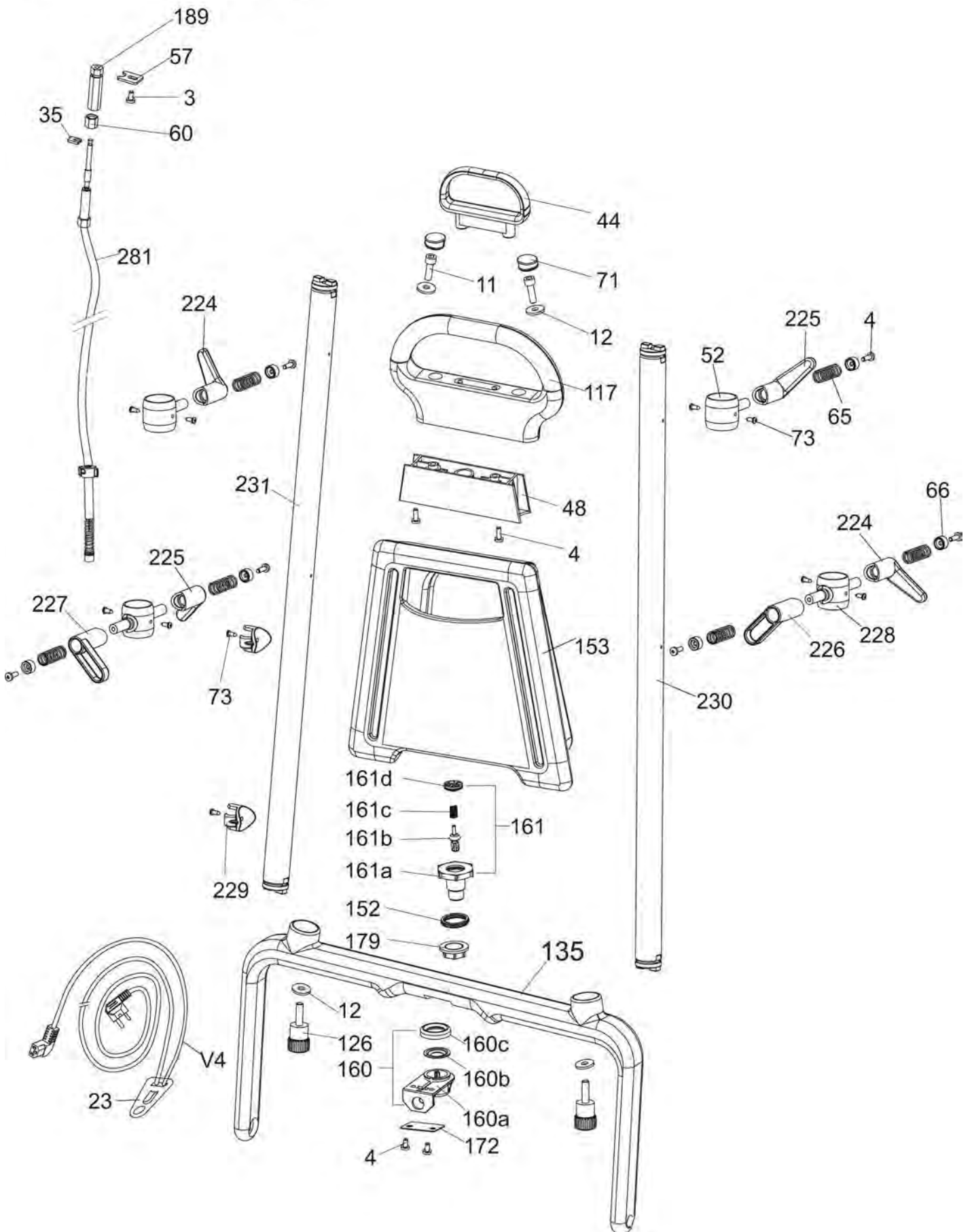
Lever and Guide Link Mechanism



Lever and Guide Link Mechanism

Ref. No	Part No	Description	Size	Qty
4	90-0046-0000	CRPH SCREW	M4x12	2
26	90-0151-0000	CLEVIS PIN		5
29	90-0153-0000	CLEVIS PIN		1
41	90-0159-0000	LINK		1
45	90-0162-0000	SHIELD		8
47	90-0163-0000	LEVER		2
64	90-0177-0000	LEVER BUTTON		4
76	90-0051-0000	CIRCLIP		6
78	90-0186-0000	LINK GUIDE		1
82	90-0284-0000	SPRING		1
91	90-0257-0000	BUSH		1
113	90-0196-0000	WHEEL		4
118	90-0068-0000	LEVER ASSY		1
118a	90-0173-0000	LEVER		1
119	90-0069-0000	LEVER ASSY		2
119a	90-0174-0000	LEVER		2
120	90-0070-0000	LEVER ASSY		1
120a	90-0175-0000	LEVER		1
128	90-0266-0000	LEVER SWITCH		1

Handle Assembly



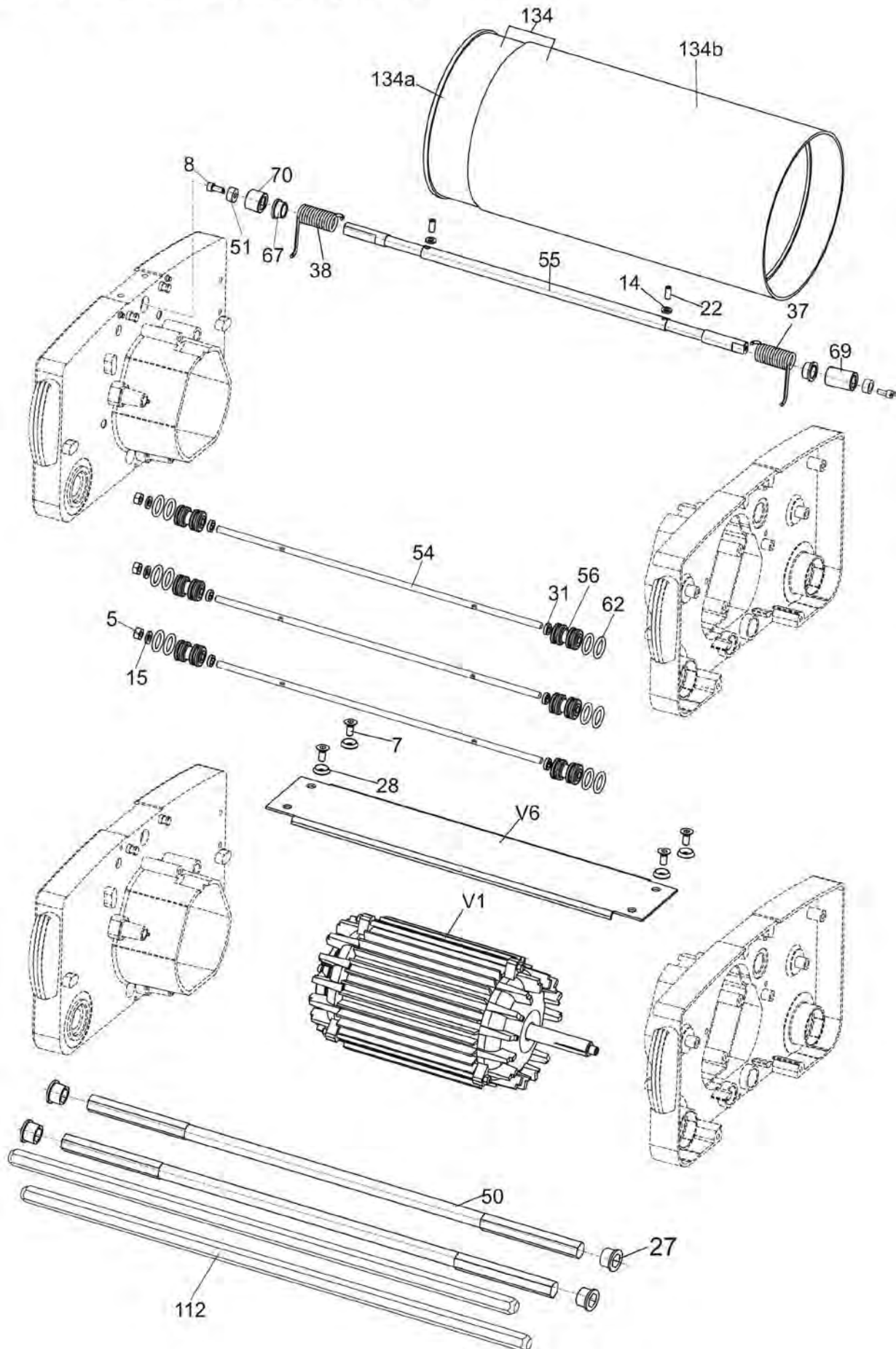
Handle Assembly

15

Ref. No	Part No	Description	Size	Qty
3	90-0002-0000	CRPH SCREW	M4x8	1
4	90-0046-0000	CRPH SCREW	M4x12	10
11	90-0005-0000	ALLEN SCREW	M6x20	2
12	90-0006-0000	WASHER	6.4x18x2	4
23	90-0010-0000	CABLE RETAINER		1
35	90-0018-0000	CLAMP		1
44	90-0026-0000	PULL HANDLE		1
48	90-0165-0000	CAP		1
52	90-0168-0000	BASE-CABLE HOLDER		2
57	90-0032-0000	CLAMP		1
60	90-0038-0000	NUT		1
65	90-0041-0000	SPRING		6
66	90-0042-0000	WASHER		6
71	90-0044-0000	PLUG		2
73	90-0183-0000	SELF TAPPING SCREW		10
117	90-0067-0000	TOP HANDLE		1
126	90-0296-0000	KNOB		2
135	90-0235-0000	BOTTOM HANDLE		1
152	90-0101-0000	GASKET		1
153	90-0103-0000	TANK-4I		1
160	90-0110-0000	BASE VALVE		1
160a	90-0202-0000	BASE		1
160b	90-0206-0000	SEAL		1
160c	90-0210-0000	CAP-VALVE		1
161	90-0111-0000	VALVE		1
161a	90-0203-0000	BODY-VALVE		1
161b	90-0341-0000	SEAL		1
161c	90-0229-0000	SPRING		1
161d	90-0204-0000	CAP-SPRING		1
172	90-0412-0000	PLATE		1
179	90-0092-0000	NUT		1
189	33881	SLEEVE		1
224	90-0402-0000	KNOB-CABLE HOLDER-II		2
225	90-0429-0000	KNOB-CABLE HOLDER-I		2
226	90-0443-0000	KNOB-TANK HOLDER-LH		1
227	90-0444-0000	KNOB-TANK HOLDER-RH		1
228	90-0445-0000	BASE-CABLE AND TANK HOLDER		2
229	33882	GUIDE		2
230	90-0451-0000	PIPE-LH		1
231	90-0452-0000	PIPE-RH		1
281	90-0234-0000	PULL CABLE ASSY-PF		1
V4	33883	POWER CORD		1

PF MW 14

Motor, Drum and Bridge Assembly

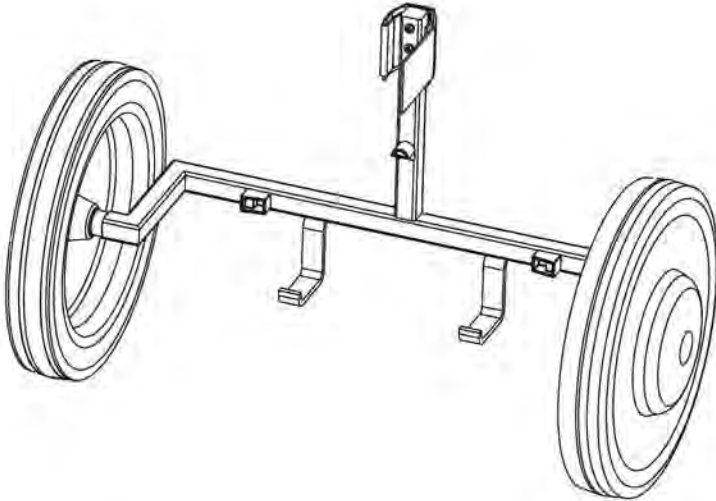


Motor, Drum and Bridge Assembly

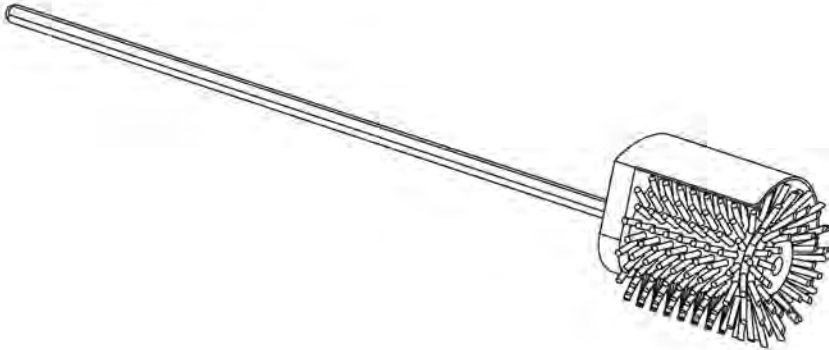
Ref. No	Part No	Description	Size	Qty
5	90-0142-0000	HEX NUT	M6	3
7	90-0143-0000	CSK SCREW	M6x14	4
8	90-0004-0000	ALLEN SCREW	M4x10	2
14	90-0146-0000	WASHER	5.2x10x1.6	2
15	90-0147-0000	WASHER	6.4x12x1.6	3
22	90-0150-0000	GRUB SCREW	M5x12	2
27	90-0015-0000	BUSH		4
28	90-0152-0000	WASHER		4
31	90-0017-0000	WASHER		6
37	90-0157-0000	SPRING		1
38	90-0158-0000	SPRING		1
50	90-0167-0000	HEX SHAFT		2
51	90-0030-0000	WASHER		2
54	90-0170-0000	TIE ROD		3
55	90-0171-0000	SHAFT		1
56	90-0172-0000	ROLLER		6
62	90-0176-0000	O' RING		12
67	90-0178-0000	BUSH		2
69	90-0180-0000	BUSH		1
70	90-0181-0000	BUSH		1
112	90-0062-0000	BRUSH SHAFT		2
134	90-0306-0000	DRUM ASSY		1
134a	90-0303-0000	DRUM		1
134b	90-0304-0000	DRUM SLEEVE		1
V1	90-0193-0000	MOTOR (110V//60Hz)		1
V6	552580186	BRIDGE-BLUE		1

Accessories

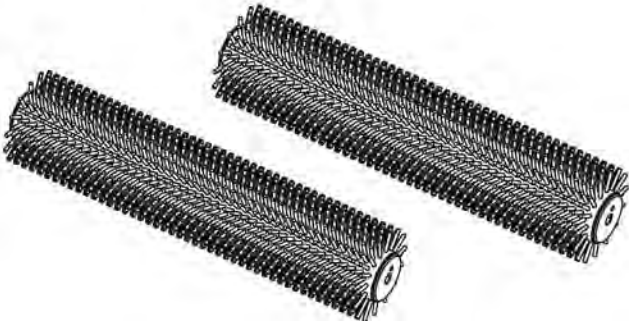
Transporter



Side Brush Group



Brush Group



Accessories

Ref. No	Part No	Description	Qty
	PFMWTC	TRANSPORTER-BLACK	1
	PFMWSB	SIDE BRUSH GROUP SIDE BRUSH GROUP STD	1
	PFMWSD	BRUSH GROUP BRUSH GROUP STD	1
	PFMWSF	BRUSH GROUP SOFT	1
	PFMWHBD	BRUSH GROUP HARD	1
	PFMWEB	BRUSH GROUP ESCALATOR (NYLON)	1

Powr-Flite[®]

COMMERCIAL FLOOR CARE EQUIPMENT

A Tacony Company

3101 Wichita Court • Ft. Worth, TX 76140-1755

Tel: 800.880.2913 • Fax: 817.551.0700

www.Powr-Flite.com