

Powr-Flite[®]

COMMERCIAL FLOOR CARE EQUIPMENT

Model PF300BP Backpack Vacuum



OPERATING INSTRUCTIONS

*COMMERCIAL AND HOUSEHOLD
BACKPACK VACUUM CLEANERS*

CONGRATULATIONS

*YOU HAVE JUST ACQUIRED A HIGH QUALITY VACUUM
CLEANER. PLEASE READ THIS MANUAL CAREFULLY,
BEFORE OPERATING YOUR NEW VACUUM CLEANER. KEEP
MANUAL ON HAND FOR FURTHER REFERENCES.*

Save These Instructions

SAVE THESE INSTRUCTIONS FOR FUTURE REFERENCE

*When using an electrical backpack vacuum cleaner, basic precautions should be followed.

*Read all instructions before using vacuum cleaner.

WARNING

To reduce risk of fire, electric shock, or injury:

- Do not use outdoors or on wet surfaces.
- Do not leave vacuum cleaner unattended when plugged in. Turn off the switch and unplug the electrical cord when not in use and before servicing.
- Do not allow to be used as a toy. Close attention is necessary when used by or near children.
- Use only as described in this manual. Use manufacturer's recommended attachments.
- Do not use with damaged cord or plug. If vacuum cleaner is not working as it should, has been dropped, damaged, left outdoors, or dropped into water, return it to a service center before using.
- Do not pull or carry by cord, use cord as a handle, close a door on cord, or pull a cord around sharp edges or corners. Keep cord away from heated surfaces.
- Do not use extension cords or outlets with inadequate current carrying capacity. (16AWG x 3 SJT extension cord)
- Turn off all controls before unplugging.
- Do not handle plug or vacuum cleaner with wet hands.
- Do not put any objects into openings. Do not use with any opening blocked, keep free of dust, lint, hair, and anything that may reduce airflow.
- This vacuum cleaner creates suction. Keep hair, loose clothing, fingers, and all parts of body away from openings.
- Do not pick up anything that is burning or smoking, such as cigarettes, matches or hot ashes. Do not use without dust bag in place. Use extra care when cleaning on stairs. Do not use to pick up flammable or combustible liquids such as gasoline, or use in areas where they may be present.
- Store your cleaner indoors in a cool, dry area.
- Do not unplug by pulling on cord. To unplug, grasp the plug, NOT THE CORD.

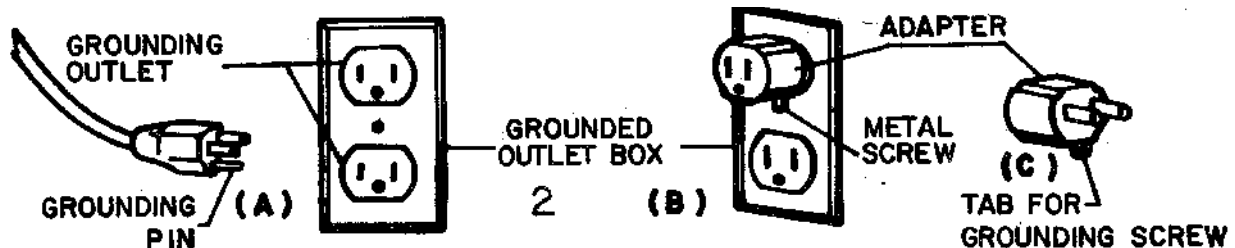
THESE MODELS ARE GROUNDED, CONNECT TO A PROPERLY GROUNDED OUTLET ONLY - SEE GROUNDING INSTRUCTIONS.

GROUNDING INSTRUCTIONS

This appliance must be grounded. If it should malfunction or breakdown, grounding provides a path of least resistance for electric current to reduce the risk of shock. This appliance is equipped with a cord having an equipment-grounding conductor and grounding plug. The plug must be inserted into an appropriate outlet that is properly installed and grounded in accordance with all local codes and ordinances.

WARNING - Improper connection of the equipment-grounding conductor can result in a risk of electric shock. Check with a qualified electrician or service person if you are in doubt as to whether the outlet is properly grounded. Do not modify the plug provided with the appliance - if it will not fit the outlet, have a proper outlet installed by a qualified electrician.

This appliance is for use on a normal 120 volt circuit, and has a grounded plug that looks like the plug illustrated in sketch A. A temporary adapter that looks like the adapter illustrated in fig B and C may be used to connect this plug to a 2-pole receptacle as shown in fig B if a properly grounded outlet is not available. The temporary adapter should be used only until a properly grounded outlet (fig A) can be installed by a qualified electrician. The green colored rigid ear, lug, or the like extending for the adapter must be connected to a permanent ground such as a properly grounded outlet box



cover. Whenever the adapter is used, it must be held in place by a metal screw.

Note: In Canada, the use of a temporary adapter is not permitted by the Canadian Electrical Code.

SAFETY PRECAUTIONS

- Do not vacuum water or liquids.
- Do not vacuum up hard or sharp objects, as they may damage the hose, vacuum bag or the vacuum motor.
- Do not drop the vacuum on the floor.
- Do not operate the vacuum while the exhaust airflow is restricted. Obstructing the exhaust airflow will cause the unit to overheat.
- Do not wash or launder the cloth vacuum bag. It would destroy the filtration capacity of the fabric.
- Do not kink or twist the power cord.
- Do not attempt to service the vacuum yourself. Repair by anyone other than an authorized repair service center may void the warranty.

MAINTENANCE

- Clean the cloth vacuum bag regularly. After emptying the vacuum bag, turn it inside out and shake as much dust out of the fabric as possible. Do not operate the vacuum without the paper bag in place.
- Use only approved paper vacuum bags.
- Check the power cord for damage. Always unwind the cable completely.
- Ensure that the vacuum hose, the extension wand and the vacuuming accessories are not blocked.
- Ensure that the electrical outlet and the plug are securely connected. Incorrect connections may cause sparking and damage to the cable socket.
- Have your Backpack Vacuum serviced by an authorized repair service center if you suspect any potential problems.
- Ensure that the flexible vacuum bag ring provides a proper seal before vacuuming.

OPERATION INSTRUCTIONS

Please read the following operating instructions carefully. They will help you to get the best performance from this professional quality vacuum cleaner and to maintain it in optimum condition.

Follow these simple steps for easy and effective operation of the Backpack vacuum.

Open the lid and ensure that the cloth bag is correctly located and the flexible ring provides a proper seal when the lid is closed. For optimum performance, it is advisable to use a paper vacuum bag in addition to the standard cloth bag.

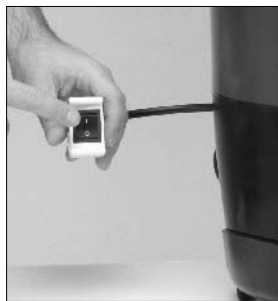
Simply insert a paper vacuum bag into the cloth bag, making sure that the cardboard disk is centered on the flexible sealing ring. When you replace the lid, the short nozzle in the center of the lid will be forced into the central hole of the cardboard disk of the paper vacuum bag thus providing a tight seal. Make sure the paper vacuum bag is tightly secured over the short nozzle before vacuuming.

Lock the lid down with the two latches. Always ensure that the vacuum bag is empty before vacuuming. Your Backpack vacuum has been fitted with a thermal overload switch to protect the motor against damage should the airflow be blocked for extended periods. This may occur if the vacuum bag is overfull, the cloth filter bag is clogged, the vacuum hose is blocked, or the exhaust airflow is blocked. The vacuum motor will stop before it can get too hot. If this happens, empty and thoroughly clean the vacuum bag or free any blockage and ensure that adequate airflow is restored. After the motor has cooled to a safe operating temperature, locate the thermal reset switch on the bottom of the unit and push it back in. There will be a slight audible click.

1. The vacuum hose is fitted into the cuff in the lid. It should not be necessary to remove the hose in normal operation.
2. Place the Backpack vacuum on your back, adjust the shoulder straps until you feel comfortable and then tighten the waist belt. The Backpack vacuum is designed to ride higher on your back for maximum comfort.
3. Plug the cord into a 110 volt, grounded outlet. Always unwind the cord completely before vacuuming. It is important to maintain the power cord in good condition. This unit ships with a 50' 16AWG x 3 conductor SJT extension cord. Always use a 16x3 SJT extension cord when operation this unit. Use care when pulling the cord around sharp edges and through doorways

Never operate the Backpack vacuum if the power cord is damaged in any way.

4. Attach the extension wand to the hose and fit the floor tool or any of the other vacuuming accessories on the wand.
5. Turn the vacuum on. The toggle switch is located on the switch box. You may clip the switch box to the waist belt.



Turn off main power switch and unplug unit from wall outlet.



Remove vacuum hose from top of unit.



Release the two latches and lift off lid.



Separate lid from paper bag insert and dispose of paper bag.

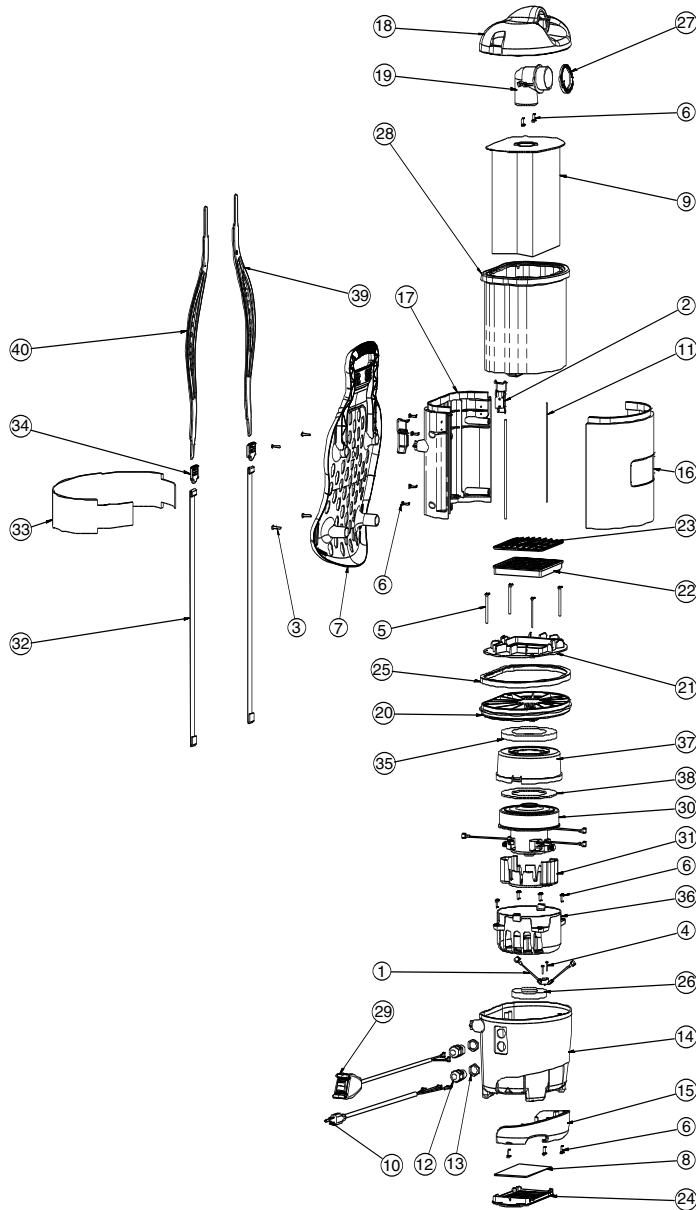


Remove cloth filter bag, clean, dust and replace.



Insert new paper bag making sure to align lid nozzle with bag hole and replace latches.

Model PF300BP Parts



ref #	item #	description
1	A328-1400	THERMAL PROTECTION SWITCH
2	A352-3300	LATCH
3	A352-8100	#10 .750 TYPE B PHILIPS PAN HEAD SCREW
4	A352-8200	#6 X .375 HI-LO PHILIPS PAN HEAD SCREW
5	A430-0205	#8-16 X 2.500 PHILIPS PAN HEAD SCREW
6	A732-8300	#8 X .625 HI-LO PHILIPS PAN HEAD SCREW
7	B352-1300	BACK REST
8	B352-2400	POST FILTER
9	B352-2500	PAPER BAG
10	B352-3200	POWER HARNESS
11	B352-6100	BAG COMPARTMENT SEAL
12	B352-600	HEYCO FITTING
13	B352-6800-NUT	HEYCO FITTING NUT
14	B352-0100	MOTOR COMPARTMENT
15	B352-0200	BUMPER
16	B352-0300	FRONT PLATE
17	B352-0400	BACK PLATE
18	B352-0500	COVER
19	B352-0600	HOSE INLET
20	B352-0700	MOTOR COVER
21	B352-0800	SECONDARY FILTER PLATE
22	B352-0900	SECONDARY FILTER FRAME
23	B352-1000	SECONDARY FILTER CAP
24	B352-1100	POST FILTER FRAME
25	B352-1200	BODY SEAL
26	B352-1900	BOTTOM MOTOR MOUNT
27	B352-4800	INLET SEAL
28	C352-1400	SHAKE OUT BAG
29	C352-2800	SWITCH HARNESS
30	A113-2600	5.1" SINGLE STAGE TEK MOTOR
31	B113-0915	TEK MOTOR SHROUD PC
32	B352-5800	SHOULDER HARNESS STRAP
33	B352-6600	WAIST BELT
34	B352-6700	SHOULDER STRAP BUCKLE
35	B352-1800	TOP MOTOR MOUNT
36	B352-5300	MOTOR SHROUD BOTTOM 5.1 - 1 STAGE
37	B352-5400	MOTOR SHROUD TOP 5.1 - 1 STAGE
38	B352-5500	MOTOR SEAL
39	B352-5600	RIGHT SHOULDER HARNESS
40	B352-5700	LEFT SHOULDER HARNESS
NOT ILLUSTRATED		
	B352-3600	CREVISE TOOL
	B352-3500	UPHOLSTRY TOOL
	B352-3700	DUST BRUSH TOOL BODY
	B352-3800	DUST BRUSH BRISTLES
	B352-4200	CARPET TOOL BODY
	B352-4300	CARPET TOOL BUMPER
	B352-4500	BARE FLOOR TOOL BODY
	B352-4600	BARE FLOOR TOLL BRUSH
	A352-3400	HOSE
	B352-3900	TELESCOP WAND
	A134-0441	50' EXTENSION CORD 16-3 SJT YELLOW

The Powr-Flite Limited Warranty

The manufacturer warrants to the original purchaser that products manufactured are free from defects, provided such goods are installed, operated and maintained in accordance with written manuals or other instructions for a period of 1 year from date of purchase on workmanship, motor, and parts. In case you, as our customer, meet any trouble with your machine, contact a Powr-Flite representative, who will be happy to be of service to you and will take care of any warranty issues. This warranty covers normal use and does not cover damage which occurs in shipment or failure resulting from alteration, accident, misuse, abuse, neglect or improper maintenance.



A Tacony Company

3101 Wichita Court • Ft. Worth, TX 76140-1710 • Call 1-800-880-2913