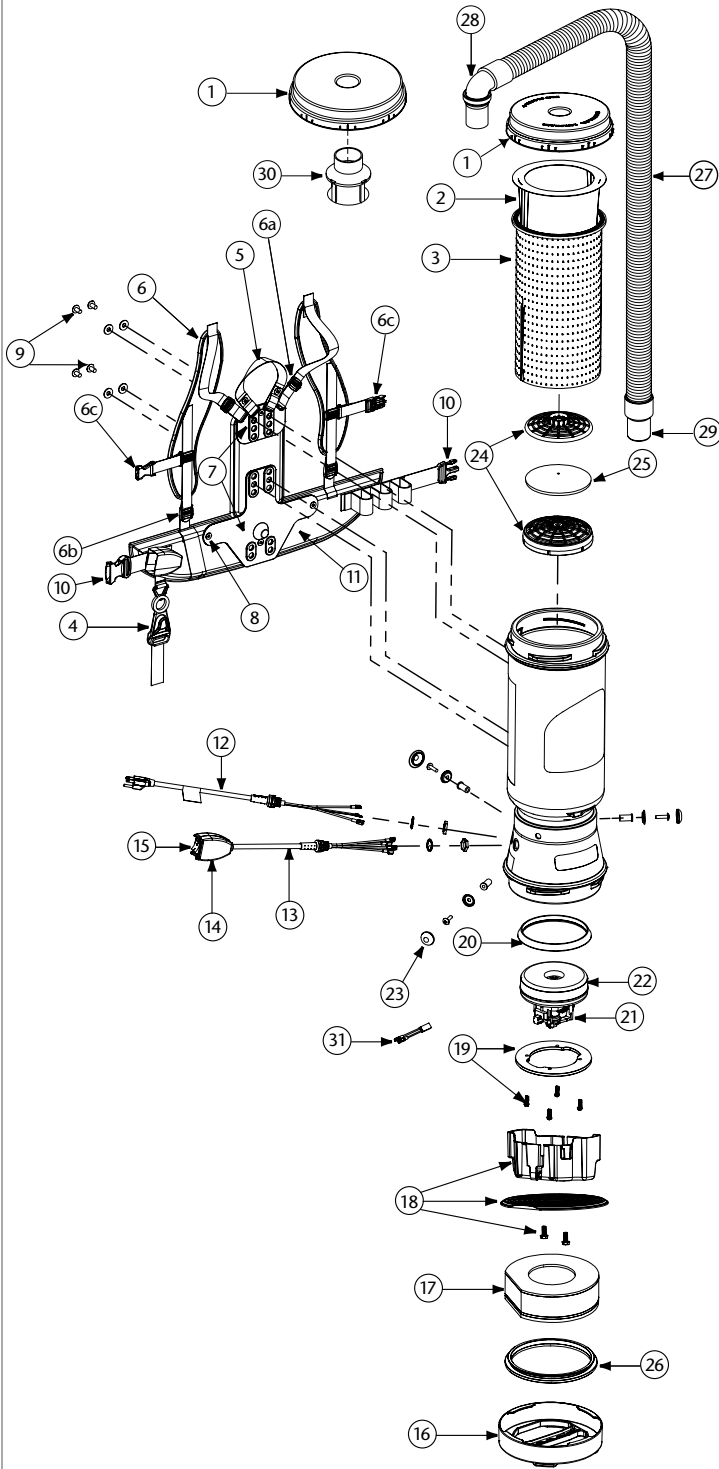


MEGAVAC PARTS



| No. | Product Name | Qty |
|-----|---|-------|
| 1 | 100320 Twist Cap (Black) | 1 ea. |
| 2 | 100331 698 Sq. In. Intercept Micro Filter | 10/pk |
| 3 | 100565 Micro Cloth Filter | 1 ea. |
| 4 | 102604 Schulte Cord Holder | 1 ea. |
| 5 | 101737 Carry Handle w/Rivet and Washer Set | 1 set |
| 6 | 100356 Shoulder Strap Assembly (includes: #6a, 6b, 6c) | 1 set |
| 6a | 100358 Shoulder Strap Plastic Adjustment Buckle (Top) | 1 ea. |
| 6b | 100357 Shoulder Strap Plastic Adjustment Buckle (Bottom) | 1 ea. |
| 6c | 103627 Sternum Strap Buckles (Latch and Keeper) | 1 set |
| 7 | 105046 Backplate (includes: #8) | 1 ea. |
| 8 | 100375 Barrel Nut Connection Set for Backplate (Replacement) | 1 set |
| 9 | 100374 Backplate Connection Set: 4 Screws w/Washers, Stand Offs | 1 set |
| 10 | 106719 Waist Belt Keeper and Latch | 1 ea. |
| 11 | 100359 Waist Belt (includes: #10) | 1 ea. |
| | 100354 Strap Assembly Complete (includes: #6, 11) | 1 set |
| | 103166 Backplate System Complete (includes: #4, 5, 6, 7, 9, 11) | 1 set |
| 12 | 100641 Power Cord (18" 14/3) Assembly | 1 set |
| 13 | 101610 Switch Cord Assembly (includes: #14,15) | 1 set |
| | 101714 Switch Cord w/Crimps | 1 ea. |
| 14 | 101472 Switch Box w/Velcro and New Lamb Switch | 1 set |
| 15 | 106066 On/Off Switch (must use with #106287) | 1 ea. |
| | 106287 Switch Box w/Velcro and Screws | 1 ea. |
| 16 | 105070 Bottom Twist Cap (Black) | 1 ea. |
| 17 | 100597 Sound Muffler | 1 ea. |
| 18 | 105044 Motor Shroud/Diffuser w/Screw Set: 2 Screws | 1 set |
| 19 | 100335 Motor Compression Ring w/Screws | 1 set |
| | 100378 Compression Ring Screw Set: 4 Screws | 1 set |
| 20 | 100014 Tetraseal | 1 ea. |
| 21 | 105164 Carbon Brush Set for MegaVac Motor (Domel Motor) | 1 set |
| | 101720 Carbon Brush Set for MegaVac Motor (Ametek Motor) | 1 set |
| 22 | 105162 Motor/Fan (120V) w/Crimps for MegaVac | 1 set |
| | 100379 Motor Ground and Wire Clamp Set w/Screws | 1 set |
| | 100380 Motor Crimp Set: 4 Female, 4 Male, Ground Crimp Connector | 1 set |
| 23 | 100368 Motor Mounting System Set: 3 Well Nuts, 3 Bolts, 3 Washers, 3 Covers | 1 set |
| 24 | 100030 Dome Filter w/Foam Media | 1 ea. |
| 25 | 100343 Foam Filter Media for Dome Filter | 1 ea. |
| | 101220 High Filtration Disk (optional) | 2/pk |
| 26 | 104998 Bottom Twist Cap Gasket | 1 ea. |
| 27 | 103048 Static-Dissipating Hose w/Cuffs (Black) | 1 ea. |
| 28 | 101928 Replacement Double Swivel Elbow Cuff (Black) | 1 ea. |
| 29 | 100694 Replacement Swivel Cuff (Black) 1 1/2" | 1 ea. |
| 30 | 101543 Filter Guard (Optional) | 1 ea. |
| 31 | 103476 Thermal Protector | 1 ea. |
| | 101678 50' Extension Cord (Not Shown) | 1 ea. |

FOR PARTS CALL TOLL FREE (877)641-2637 OR VISIT
<http://www.monsterjanitorial.com/proteam/>