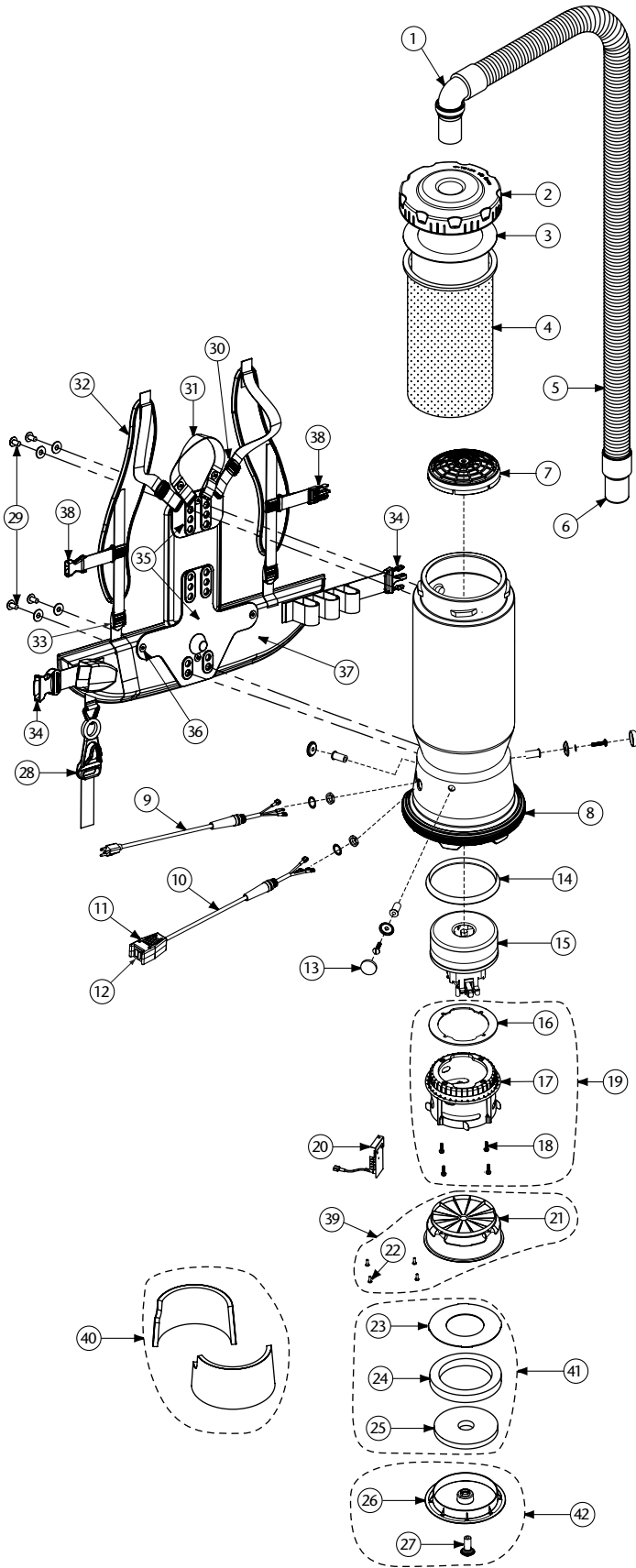


QUIETPRO BP HEPA PARTS



No.	Product Name	Qty
1	101928 Elbow Cuff, Swivel	1 ea.
2	104273 Twist Cap (Black)	1 ea.
3	100431 496 Sq. In. Intercept Micro Filter	10/pk
4	100564 Micro Cloth Filter	1 ea.
5	103048 Static-Dissipating Hose (Black) w/Cuffs 1 1/2"	1 ea.
6	100694 Replacement Swivel Cuff (Black) 1 1/2"	1 ea.
7	106526 Replacement HEPA Dome Filter	1 ea.
8	100586 Bottom Bumper	1 ea.
9	100641 Power Cord Assembly Complete w/Strain Relief	1 set
10	105748 Switch Cord Assembly Complete F/QuietPro	1 set
11	106287 Switch Box w/Velcro and Screws	1 set
12	105973 On/Off Switch	1 ea.
	105438 On/Off Switch (older style) (Hi/Lo)	1 ea.
13	100368 Motor Mounting System Set: 3 Well Nuts, 3 Bolts, 3 Washers, 3 Covers	1 set
14	100014 Tetraseal, Motor	1 ea.
15	105722 Motor, (120V), 2 Stage (includes: #16)	1 ea.
	105697 Carbon Brush Set (Domel)	1 set
	100424 Carbon Brush Set (Ametek)	1 set
16	105605 Gasket, Motor	1 ea.
17	105149 Cap, Motor	1 ea.
18	100378 Screw, 10-32 x 3/4", Self Tapping	4/pk.
19	105619 Motor Mount Assembly (includes: #16, 17, 18)	1 set
20	105653 Dual Speed Module and Schematic with Thermal Protector	1 ea.
21	105150 Exhaust Housing, Motor	1 ea.
22	104419 Screw, #8 x 1/2", Phillips, Hi/Lo	1 ea.
23	105337 Ring, Motor Housing, Large	1 ea.
24	105342 Foam, Ring, Motor Housing	1 ea.
25	105343 Foam, Cover, Motor Housing	1 ea.
26	105341 Cover, Motor Housing	1 ea.
27	105613 Motor Mount	1 ea.
28	102604 Shulte Cord Holder	1 ea.
29	100716 Backplate (Blk) Connection Set: 4 Screws w/Washers	1 set
30	100358 Shoulder Strap Plastic Adjustment (Top)	1 ea.
31	101737 Carry Handle w/Rivet and Washer Set	1 set
32	100356 Shoulder Strap Assembly: (includes: #30, 33, 38)	1 set
33	100357 Shoulder Strap Plastic Adjustment (Bottom)	1 ea.
34	106719 Waist Belt Keeper and Latch	1 ea.
35	105046 Backplate (includes: #36)	1 set
	103166 Backplate System Complete (includes: #29, 31, 32, 35, 37)	1 set
	100354 Strap Assembly Complete (includes: #32, 37)	1 set
36	100375 Barrel Nut Connection Set for Backplate (Replacement)	1 set
37	100359 Waist Belt (includes: #34)	1 ea.
38	103627 Sternum Strap Buckles (Latch and Keeper)	1 set
39	105620 Kit, Housing, Exhaust, Motor F/QuietPro (includes: #21, 22)	1 set
40	105621 Kit, Foam, Acoustical Panels	1 set
41	105622 Kit, Exhaust, Foam and Ring (includes: #23, 24, 25)	1 set
42	105623 Kit, Cover, Exhaust F/QuietPro (includes: #26, 27)	1 set
	101678 50' Extension Cord (Not Shown)	1 ea.

FOR PARTS CALL TOLL FREE (877)641-2637 OR VISIT
<http://www.monsterjanitorial.com/proteam/>