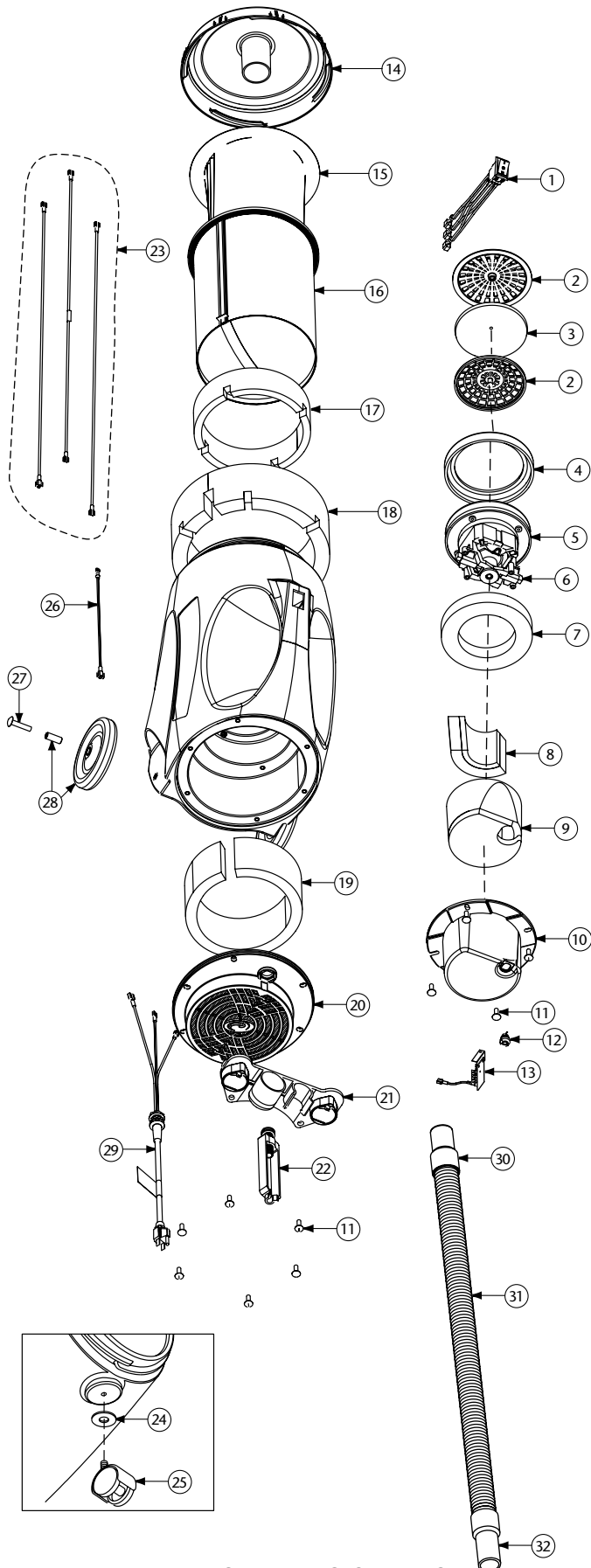


# QUIETPRO CN HEPA PA



No.	Product Name	Qty
1	105991 On/Off Switch (2 Stage)	1 ea.
2	102784 Dome Filter w/Filter Media	1 ea.
3	101949 Replacement Foam Media for Dome Filter	1 ea.
	102761 High Filtration Disk (Optional)	2/pk
4	103236 Motor Seal	1 ea.
5	106919 Motor/Fan (120V) w/Crimps (Ametek Motor)	1 ea.
6	105697 Carbon Brush Set (Domel Motor)	1 set
	106904 Carbon Brush Set (Ametek Motor) (122157-00)	1 set
7	105430 Upper Foam Compression Ring	1 ea.
8	105949 Noise Suppression Filter Assembly	1 ea.
9	105948 Noise Suppression Foam	1 ea.
10	103121 Motor Mount	1 ea.
11	103266 Motor Mount and Vented Exhaust Cover	
	Screw Kit	1 set
12	102127 Small Strain Relief	1 ea.
13	105653 Dual Speed Module and Schematic with Thermal Protector	1 ea.
14	103318 Top Cap, Black	1 ea.
15	104544 698 Sq. In. Intercept Micro Filter	10/pk
16	103115 Micro Cloth Filter	1 ea.
17	103125 Foam Inlet Damper B	1 ea.
18	103124 Foam Inlet Damper A	1 ea.
19	103256 Rear Foam Diffuser	1 ea.
20	103638 Replacement HEPA Filter Kit and Mounting Screw (includes: #29)	1 ea.
21	103117 Tool Dock	1 ea.
22	103441 Cord Lock	1 ea.
23	106203 Wire Harness Assembly: 3 Wires and Strain Relief	1 set
24	103545 Conical Washer for Swivel Caster	1 set
25	103114 Swivel Caster	1 ea.
26	106107 Ground Jumper	1 ea.
27	103268 Rear Wheel Mounting Screw Kit: 2 Screws	1 set
28	103267 Rear Wheel Assembly Kit: 2 Wheels, 2 Spacers, 2 Screws	1 set
29	103215 Power Cord (18" 14/3) Assembly w/Locknut and Washer	1 ea.
30	100694 Replacement Swivel Cuff (Black) 1 1/2"	1 ea.
31	103172 78" Static Dissipating Hose w/Cuffs (Black) 1 1/2"	1 set
32	103150 Replacement Long Swivel Cuff (Black) 1 1/2"	1 ea.
	101678 50' Extension Cord (Not Shown)	1 ea.

FOR PARTS CALL TOLL FREE (877)641-2637 OR VISIT  
<http://www.monsterjanitorial.com/proteam/>