

# ***PULLMAN-HOLT***

## ***REPLACEMENT PARTS LIST***

*Save for future reference*

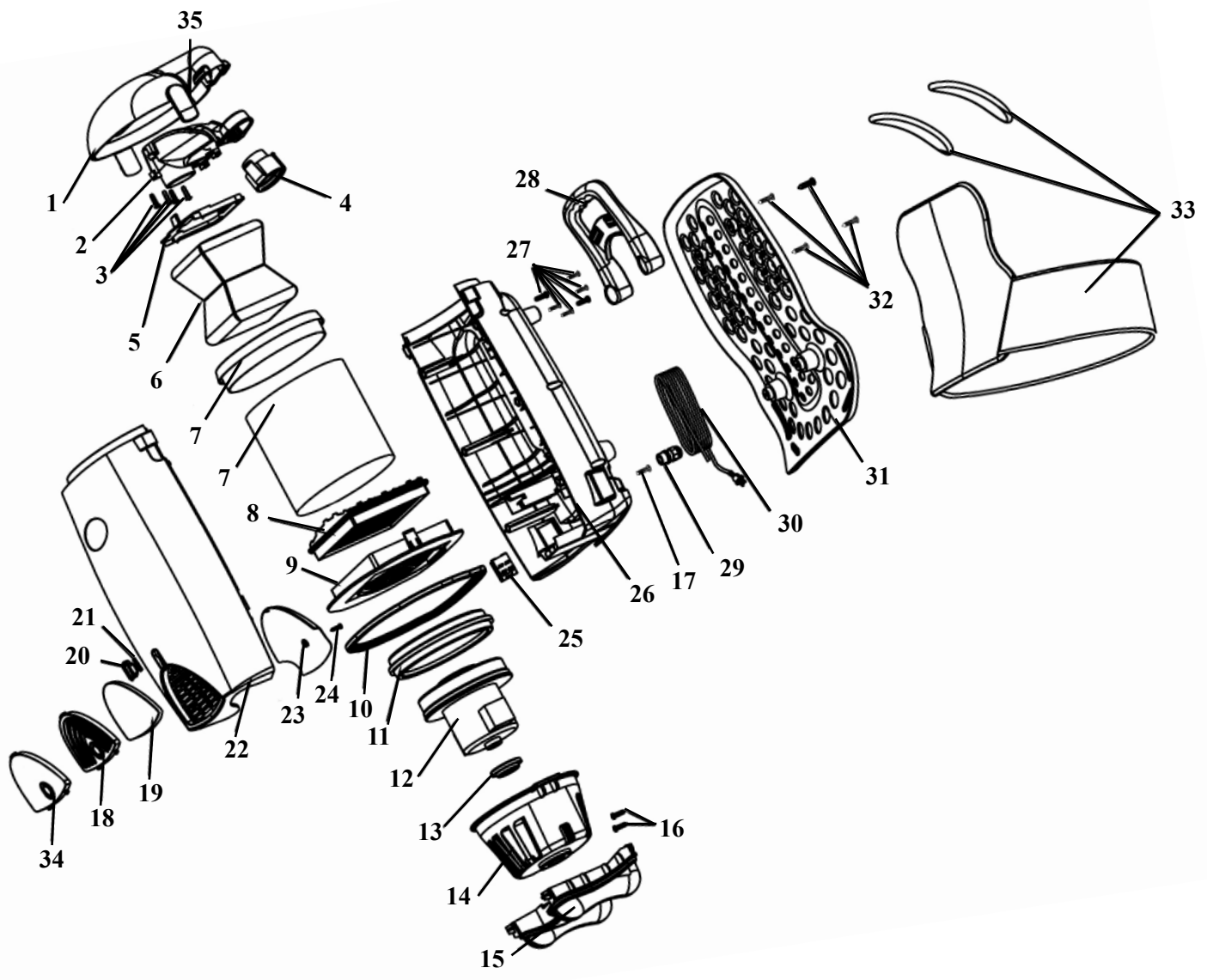
---

### **P7 Porter Vac Backpack Vacuum/Blower**



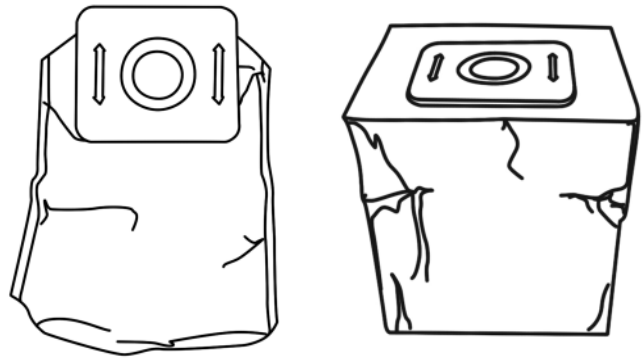
# TANK ASSEMBLY

Ref.	Part No.	Description	Qty	Ref.	Part No.	Description	Qty
1	B100361	Canister Lid	1	20		Post Filter Latch	1
2		Inlet Duct	1	21		Post Filter Latch Spring	1
3		Screws	4	22		Front Housing	1
4		Hose Cuff	1	23		Sound Suppressor	1
5	B100505	Hepa Bag Holder	1	24		Screw	1
6	B200648	Disposable Paper Filter Bag	1	25	B100510	Switch	1
7	B200651	Primary Cloth Filter Bag	1	26		Back Housing	1
8	B200652	HEPA Media Cartridge	1	27		Screws	6
9		HEPA Media Cartridge Plate	1	28		Carry Handle	1
10		HEPA Media Cartridge Seal	1	29	B100362	Strain Relief	1
11		Inlet Motor Mount	1	30	B704132	Power Cord 50'	1
12	B260982	Motor 120V	1	31		Back Board Panel	1
13		Outlet Motor Mount	1	32		Screws	4
14		Motor Shroud	1	33	B100507	Shoulder Strap & Waist Band Back Support Panel	1
15		Foot	2				
16		Screws	2	34	B200649	Blower Adaptor	1
17		Screw	1	35	B100506	Canister Lid Side Clamps	2
18	B200654	Exhaust Grill	1				
19	B200653	Exhaust Filter	1				



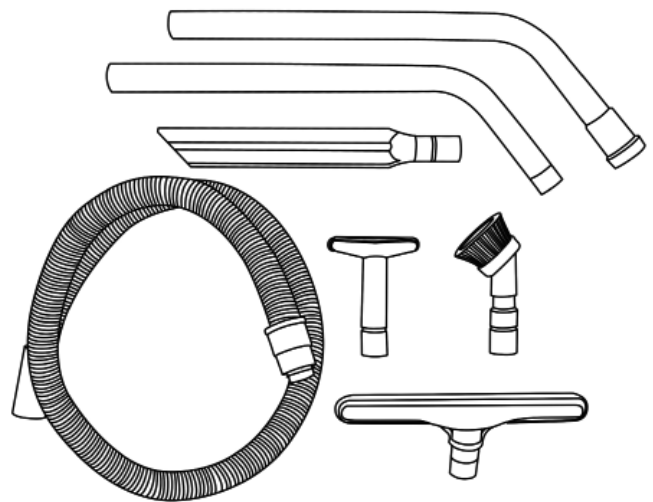
## Accessories

Part No.	Description	Qty
B200647	Disposable Cloth Filter Bag	1
B200648	Disposable Paper Filter Bag	1



## Tool Kit

Part No.	Description	Qty
B521007	5' Two-piece Wand	1
B200655	Crushproof Hose w/ Ends	1
B000394	2" Round Dusting Brush	1
B701615	17" Crevice Tool	1
B701613	Upholstery Tool	1
B527096	Rug Tool	1



**PULLMAN-HOLT**

10702 N. 46th Street • Tampa, FL 33617  
 (813) 971-2223 • Fax (813) 971-6090  
[www.pullman-holt.com](http://www.pullman-holt.com)