

PULLMAN-HOLT

REPLACEMENT PARTS LIST

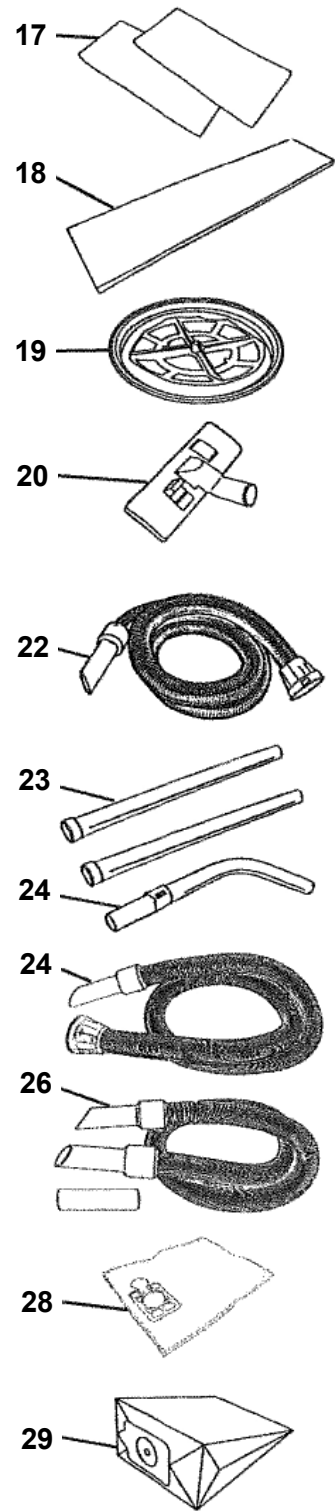
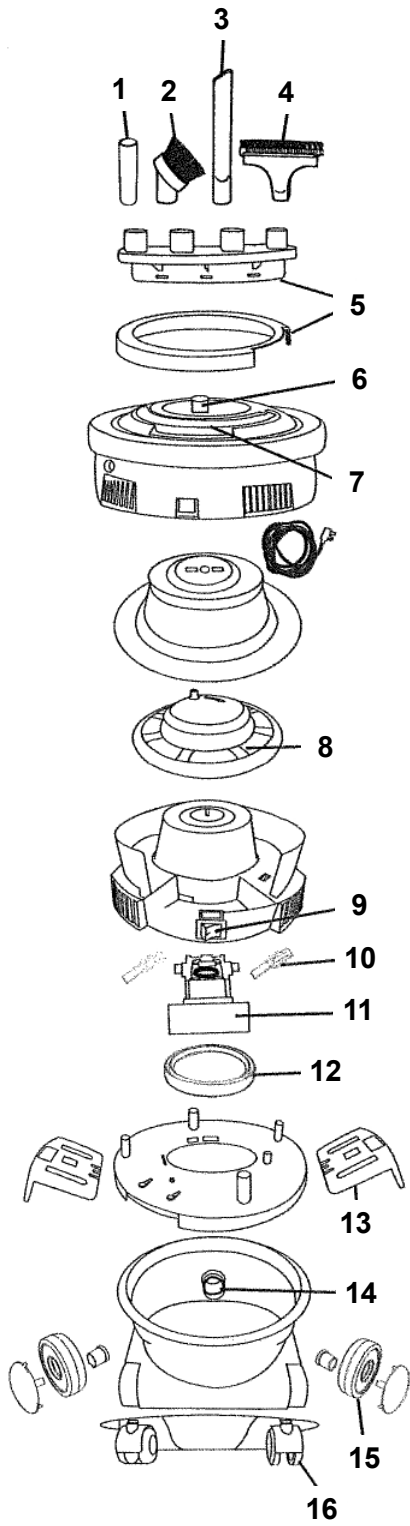
Save for future reference

Hank Jr. 1200W Commercial Canister Vacuum



VACUUM ASSEMBLY

Ref.	Part No.	Description	Qty	Ref.	Part No.	Description	Qty
1	B100609	Tool Adapter	1	16	B100623	Caster	2
2	B100610	Dusting Brush	1	17	B100625	Exhaust Filter	2
3	B100611	Crevice Tool	1	18		Motor Soundproofing	1
4	B100612	Upholstery Tool	1	19	B100504	Filter	1
5	B100613	Tool Holder/Rim	1	20	B160632	Floor Tool	1
6	B100614	Rewind Knob	1				
7	B100616	Handle	1	22	B100502	Hose Assembly 6'	1
8	B100615	Rewind Assembly	1	23	B100608	Extension Wand 5'	1
9	B100618	Switch	1	24	B100503	Curved Wand	1
10		Carbon Brushes	2	26	B100626	Hose Assembly 20' x 1.25"	1
11	B100619	Motor	1	27	B100627	Hose Assembly 30' x 1.25"	1
12	B100620	Motor Support	1	28	B100628	Microfiber Bags 10pk	1
13	B100621	Tank Clips	2	29	B100538	Large Paper Bags 10pk	1
14		Bag Connector	1		B100624	Screw Set (Not Shown)	
15	B100622	Rear Wheel	2				



NOTES:

PULLMAN-HOLT

10702 N. 46th Street • Tampa, FL 33617
(813) 971-2223 • Fax (813) 971-6090
www.pullman-holt.com