

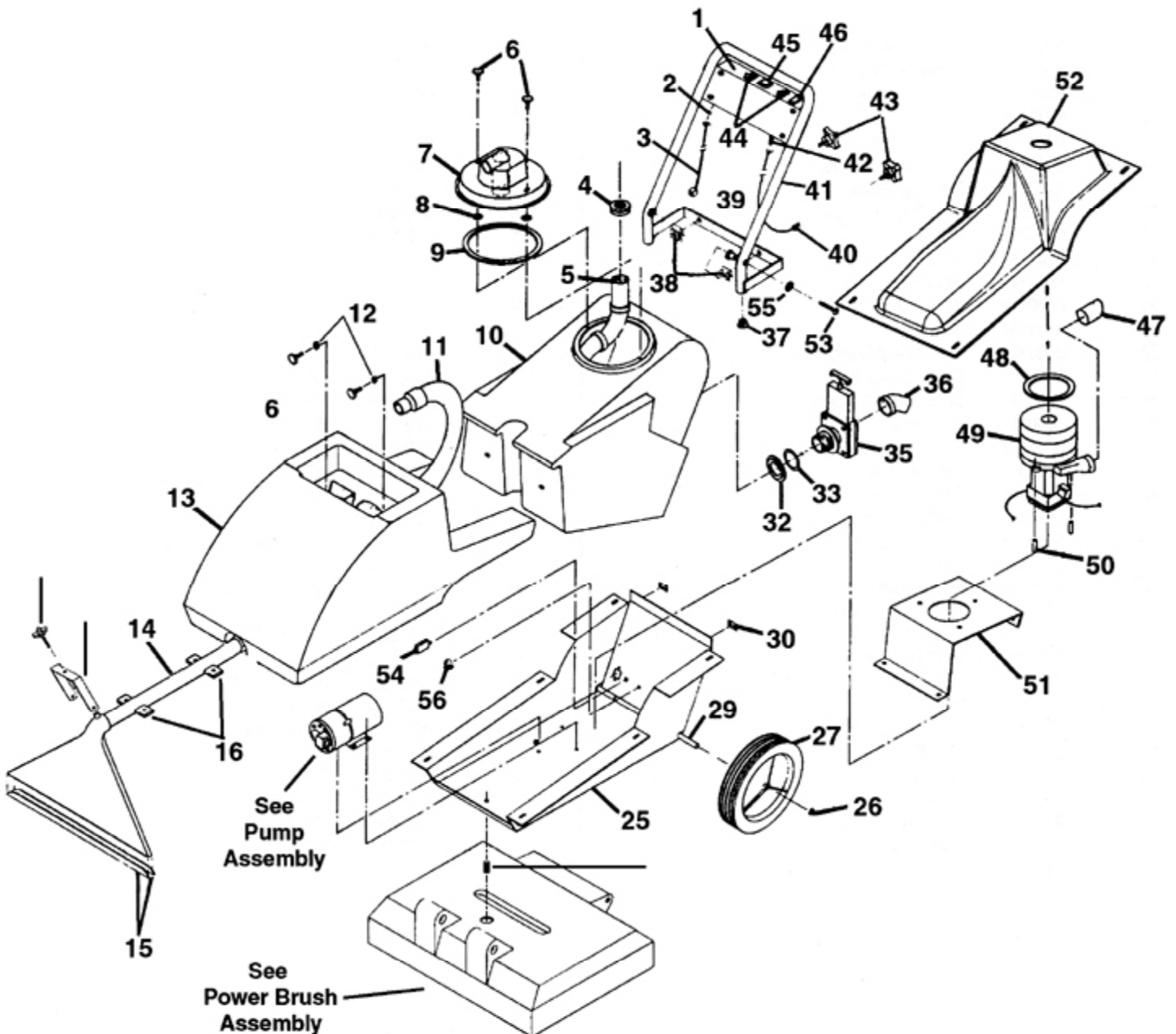
PULLMAN-HOLT

REPLACEMENT PARTS LIST

Save for future reference

Self-Contained Extractors

Models SC400 & SC600



CHASSIS ASSEMBLY

SC400

SC600

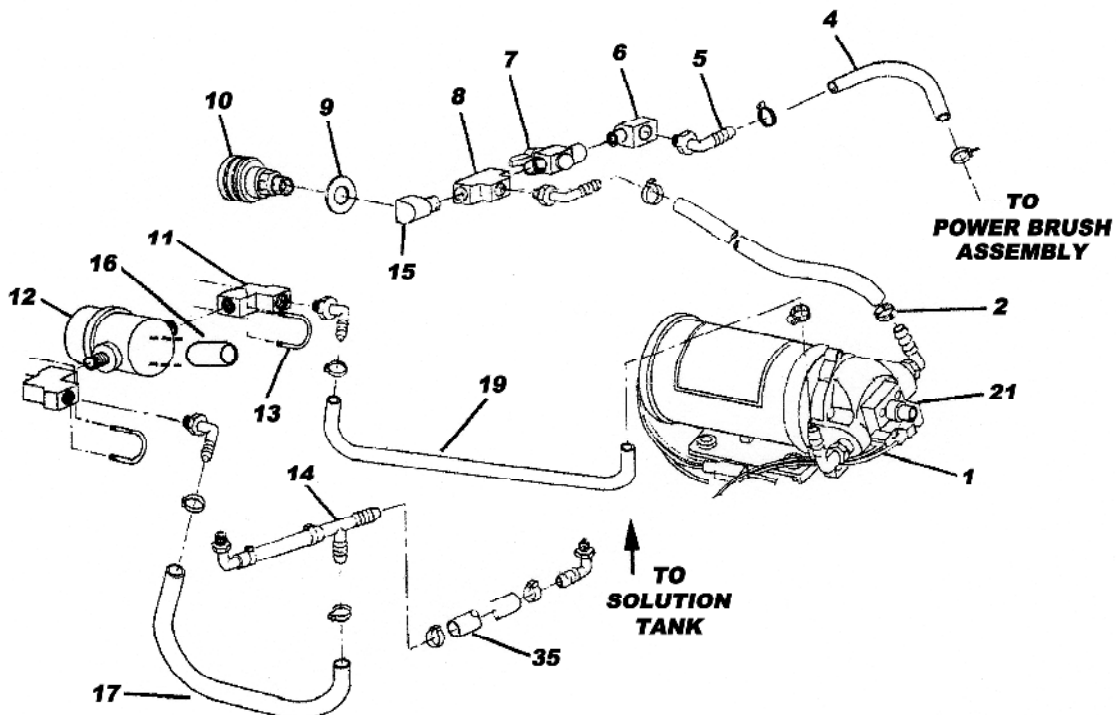
Ref.	Part No.	Description	Qty	Ref.	Part No.	Description	Qty
1	B600087	Control Panel	1	1	B600087	Control Panel	1
2	B910089	Strain Relief	1	2	B910089	Strain Relief	1
3	B230008	Wire Harness Sw/bx to Chassis	1	3	B230008	Wire Harness Sw/bx to Chassis	1
4	B230016	Stand Pipe Screen Assembly	1	4	B230016	Stand Pipe Screen Assembly	1
5	B230006	Stand Pipe Assembly	1	5	B230022	Stand Pipe Assembly	1
6	B700167	Knob	4	6	B700167	Knob	4
7	B641652	Sight Dome	1	7	B641652	Sight Dome	1
8	B700140	Washer-Nylon	2	8	B700140	Washer-Nylon	2
9	B701757	Sight Dome Gasket	1	9	B701757	Sight Dome Gasket	1
10	B701394	Recovery Tank	1	10	B702314	Recovery Tank	1
11	B600111	Hose Assembly	1	11	B600111	Hose Assembly	1
12	B932718	Washer-Nylon	1	12	B932718	Washer-Nylon	1
13	B701395	Solution Tank	1	13	B702313	Solution Tank	1
14	B600211	Vac Shoe Assembly	1	14	B600446	Vac Shoe Assembly	1
15	B700148	Shoe Lip Guard	2	15	B700148	Shoe Lip Guard	2
17	B130115	Replacement Pump	1	17	B130115	Replacement Pump	1
18	B700178	Male Hose Barb	1	18	B700178	Male Hose Barb	1
25	B600098	Frame Painted Gray	1	25	B600098	Frame Painted Gray	1
26	B703597	Cap Hub Wheel	2	26	B703597	Cap Hub Wheel	2
27	B600142	Wheel 10" x 1.75"	2	27	B600142	Wheel 10" x 1.75"	2
28	B525124	1/2" Flat Washer	2	28	B525124	1/2" Flat Washer	2
29	B230237	Wheel Shaft	1	29	B230237	Wheel Shaft	1
30	B931532	Right Hand Hinge Loose Mt. Pt.	2	30	B931532	Right Hand Hinge Loose Mt. Pt.	2
31	B700129	Connector Pan Mtg. 5 Contacts	1	31	B700129	Connector Pan Mtg. 5 Contacts	1
32	B980228	Nut Flanged Dump Valve	2	32	B980228	Nut Flanged Dump Valve	2
34	B700531	"O" Ring 1.875 x .125 X-Section	2	34	B700531	"O" Ring 1.875 x .125 X-Section	2
35	B960941	Dump Valve & Nipple	1	35	B960941	Dump Valve & Nipple	1
36	B700111	45 Drain 2"	1	36	B700111	45 Drain 2"	1
37	B700188	Handle Pipe End Plug - 1" Dia.	2	37	B700188	Handle Pipe End Plug - 1" Dia.	2
38	B700375	Self-Retaining Nut (for SC400 only)	2	40	B700128	Cord Set 16/3-35'	1
39	B600090	Hole Pivot Pin (for SC400 only)	2	41	B600154	Handle Assembly	1
40	B700128	Cord Set 16/3-35'	1	42	B700116	Strain Relief Flex Protector	1
41	B600088	Handle Assembly	1	43	B700168	Handle Knob	2
42	B700116	Strain Relief Flex Protector	1	44	B525298	Rocker Switch	2
43	B700168	Handle Knob	2	45	B700124	Switch - Push Button	1
44	B525298	Rocker Switch	2	46	B525298	Rocker Switch	1
45	B700124	Switch - Push Button	1	47	B600099	Vac Discharge	1
46	B525298	Rocker Switch	1	48	B701385	Gasket 1/4" thick	1
47	B600099	Vac Discharge	1	49	B703849	Vac Motor 115V	1
48	B701385	Gasket 1/4" thick	1	50	B703719	Vac Motor Spacer	3
49	B703849	Vac Motor 115V	1	51	B600100	Vac Motor Bracket	1
50	B703719	Vac Motor Spacer	3	52	B700632	Splash Guard	1
51	B600100	Vac Motor Bracket	1	53	B701385	Gasket 1/2" thick	1
52	B700632	Splash Guard	1	54	B980581	Knob Handle Lock	1
53	B701385	Gasket 1/2" thick	1	55	B600103	Height Adj. Bracket	1
54	B980581	Knob Handle Lock	1	56	B700115	Circuit Breaker 2A	1
55	B600103	Height Adj. Bracket	1	58	B700108	Compression Spring	1
56	B700115	Circuit Breaker 2A	1	59	B230003	Power Brush Assembly	1
58	B700108	Compression Spring	1				
59	B230003	Power Brush Assembly	1				

PUMP ASSEMBLY

SC400

SC600

Ref.	Part No.	Description	Qty	Ref.	Part No.	Description	Qty
1	B130115	Replacement Pump	1	1	B130115	Replacement Pump	1
2	B522452	Hose Clamp	10	2	B522452	Hose Clamp	10
4	B600170	Hose 7"	1	4	B600170	Hose 7"	1
5	B700144	Barbed Elbow	8	5	B700144	Barbed Elbow	8
6	B700182	Street Elbow	2	6	B700182	Street Elbow	2
7	B700122	Valve	1	7	B700122	Valve	1
8	B700183	Tee	1	8	B700183	Tee	1
9	B525124	Flat Washer	2	9	B525124	Flat Washer	2
10	B527616	Quick Disconnect	1	10	B527616	Quick Disconnect	1
11	B700194	90° Elbow	2	11	B700194	90° Elbow	2
12	B700117	Inline Filter	1	12	B700117	Inline Filter	1
13	B700322	U-Bolt	2	13	B700322	U-Bolt	2
14	B700143	Barbed Tee	1	14	B700143	Barbed Tee	1
16	B700711	Strainer Screen	1	16	B700711	Strainer Screen	1
17	B600171	Hose 17"	1	17	B600171	Hose 17"	1
18	B600172	Hose 3"	2	18	B600172	Hose 3"	2
19	B600173	Hose 10"	1	19	B600173	Hose 10"	1
20	B600174	Hose 3 1/2"	1	20	B600174	Hose 3 1/2"	1

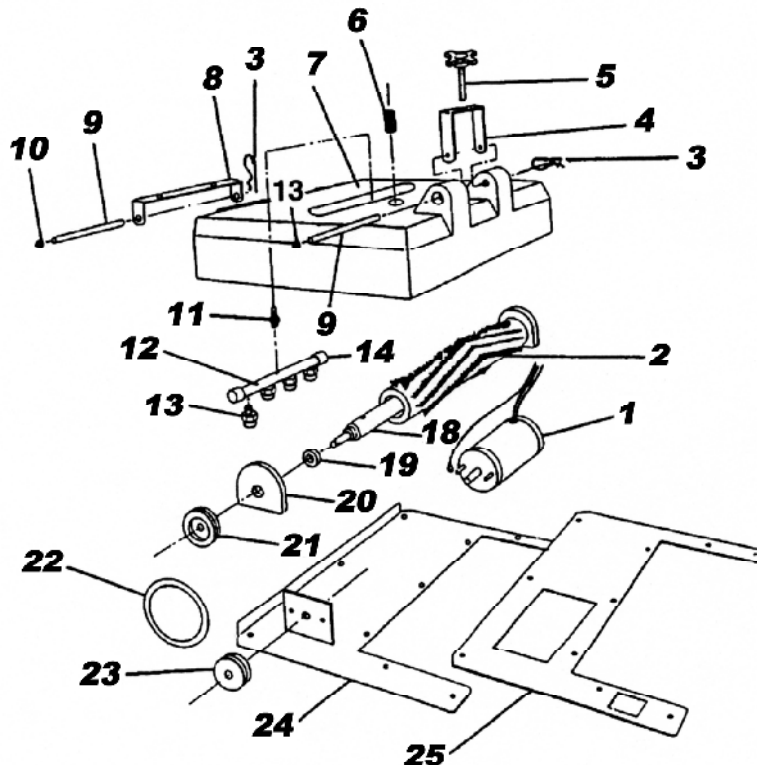


POWER BRUSH ASSEMBLY

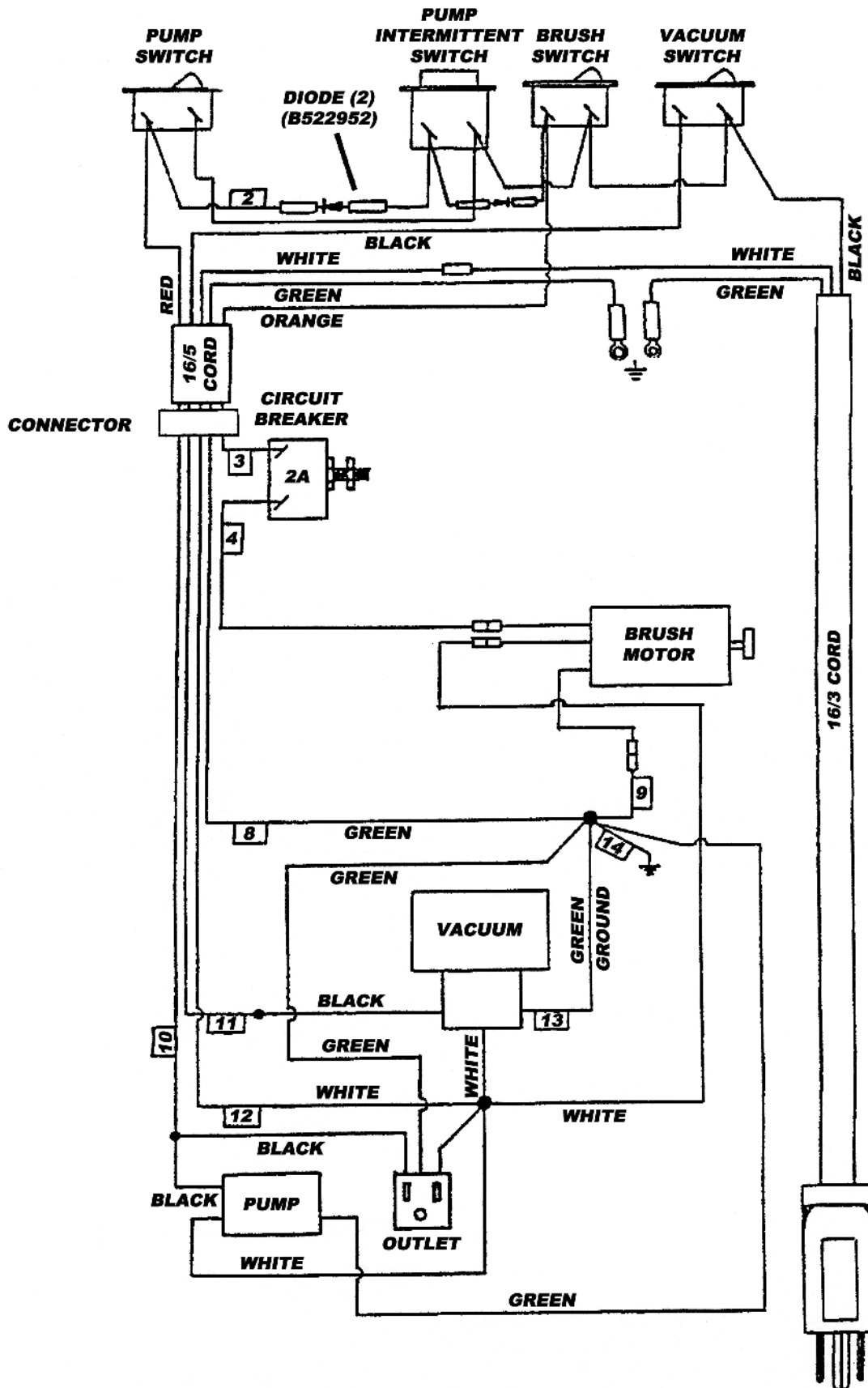
SC400

SC600

Ref.	Part No.	Description	Qty	Ref.	Part No.	Description	Qty
1	B703564	DC Motor	1	1	B703564	DC Motor	1
2	B700127	Brush	1	2	B700428	Brush	1
3	B524121	Pin Hair Style	2	3	B524121	Pin Hair Style	2
4	B600103	Adjusting Bracket	1	4	B600103	Adjusting Bracket	1
5	B980581	Adjusting Knob	1	5	B980581	Adjusting Knob	1
6	B700108	Spring	1	6	B700108	Spring	1
7	B600705	Power Brush Housing	1	7	B600706	Power Brush Housing	1
8	B600105	Power Brush Bracket	1	8	B600105	Power Brush Bracket	1
9	B702922	Axle Pivot	2	9	B702922	Axle Pivot	2
10	B702920	Hub Cap	2	10	B702920	Hub Cap	2
11	B700178	Hose Barb	1	11	B700178	Hose Barb	1
12	B600710	Manifold	1	12	B600711	Manifold	1
13	B702945	Nozzle Body Assembly	4	13	B702946	Nozzle Body Assembly	4
14	B702944	End Cap	2	14	B702944	End Cap	2
18	B700154	Brush Shaft	1	18	B700429	Brush Shaft	1
19	B700172	Bearing	2	19	B700172	Bearing	2
20	B701960	Bearing Block	2	20	B701960	Bearing Block	2
21	B701359	Brush Pulley	1	21	B701359	Brush Pulley	1
22	B701358	Belt-Timing	1	22	B701358	Belt-Timing	1
23	B701360	Motor Pulley	1	23	B701360	Motor Pulley	1
24	B700147	Brush Motor Plate	1	24	B700427	Brush Motor Plate	1
25	B600114	Brush Motor Gasket	1	25	B600153	Brush Motor Gasket	1



WIRING DIAGRAM



NOTES:

PULLMAN-HOLT

10702 N. 46th Street • Tampa, FL 33617
(813) 971-2223 • Fax (813) 971-6090
www.Pullman-Holt.com

B703832