

PULLMAN-HOLT

REPLACEMENT PARTS LIST

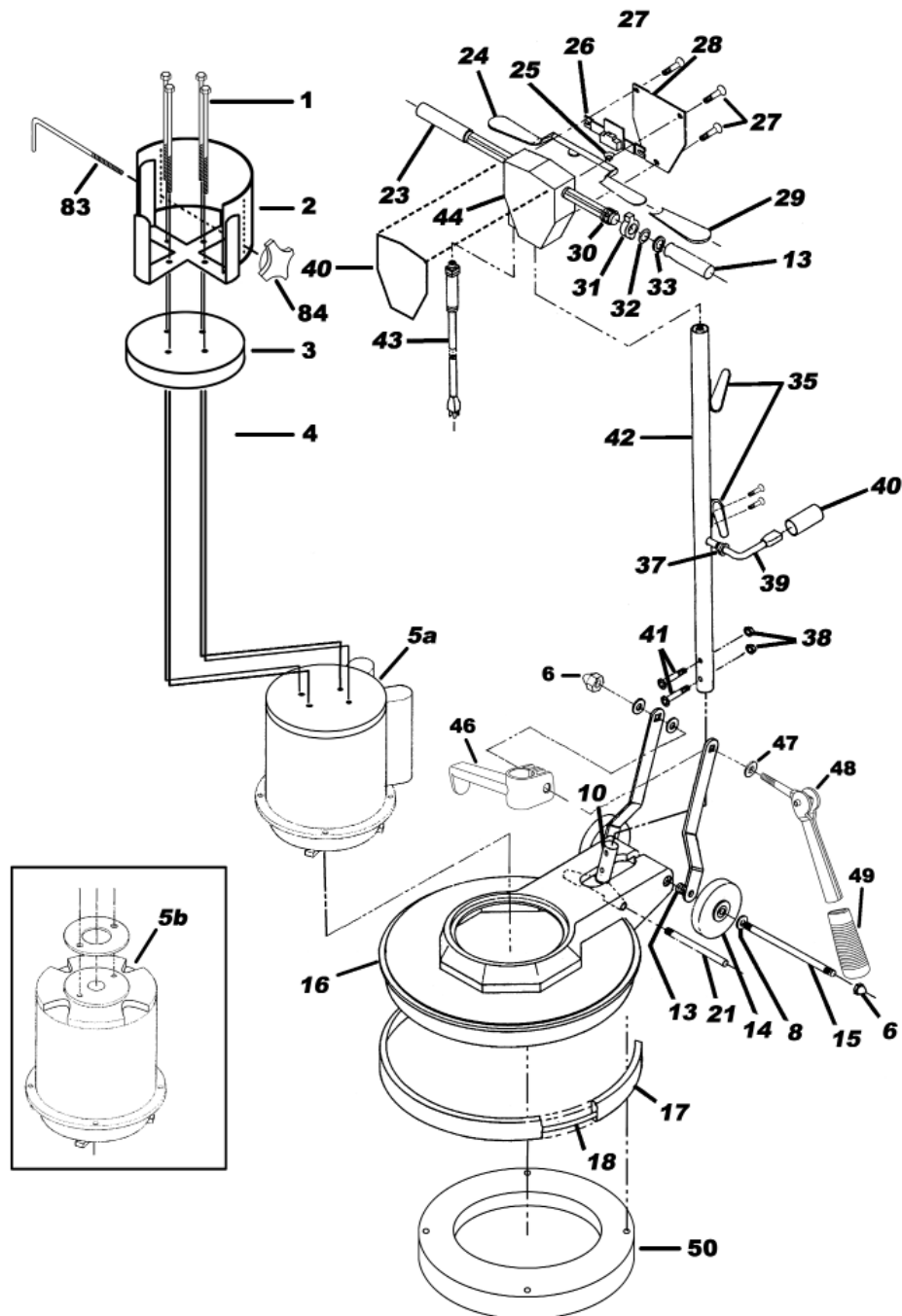
Save for future reference

STONE CARE - Floor Machines

Models

PHC17SCAW 17" SC-AC Motor w Waterfeed, PHC17SCAT 17" SC-AC Motor w Tank

PHC17SCDW 17" SC-DC Motor w Waterfeed, PHC17SCDT 17" SC-DC Motor w Tank

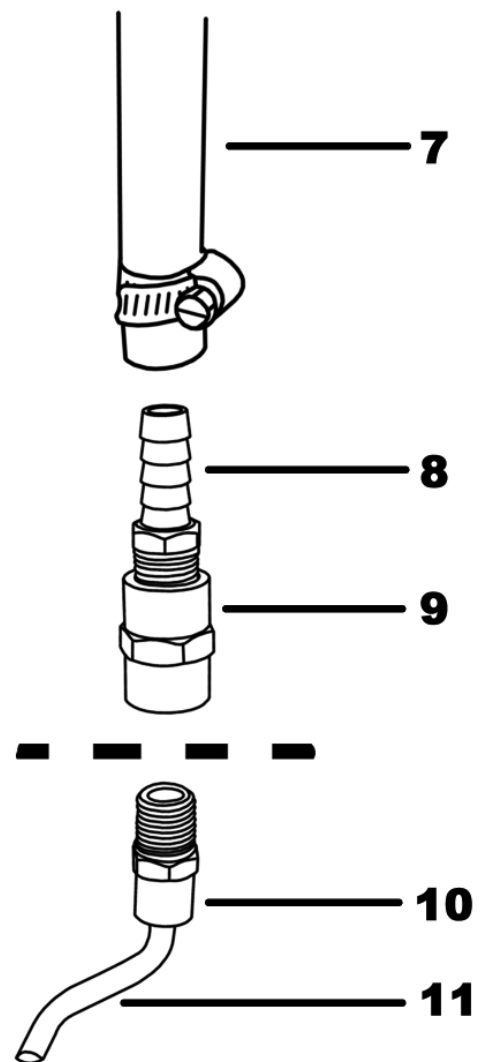
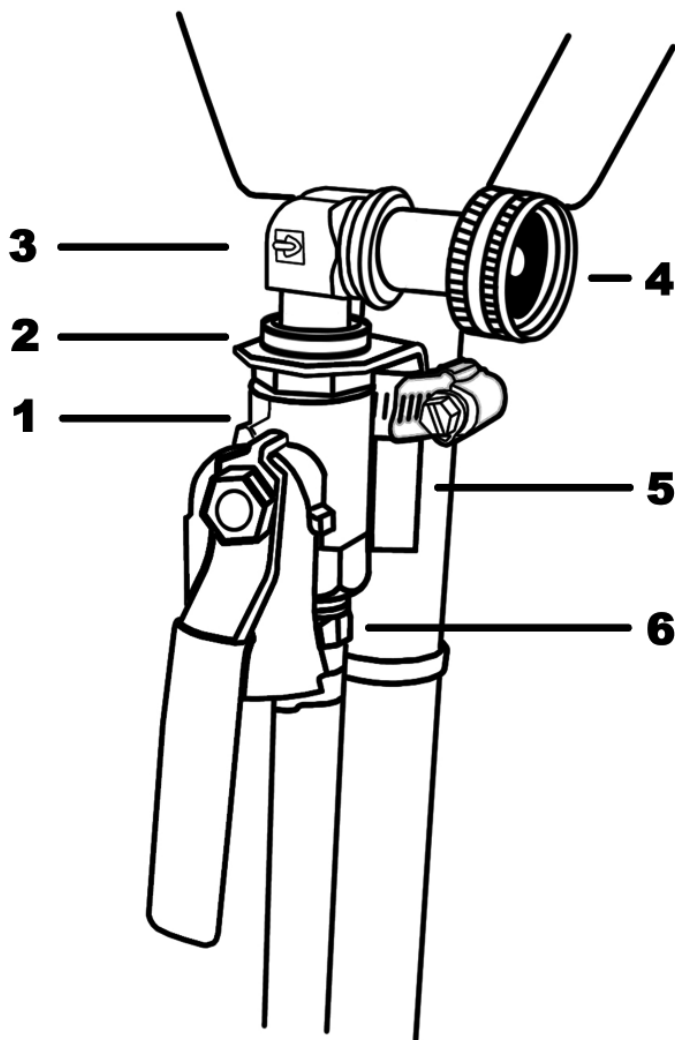


CHASSIS AND HANDLE ASSEMBLY

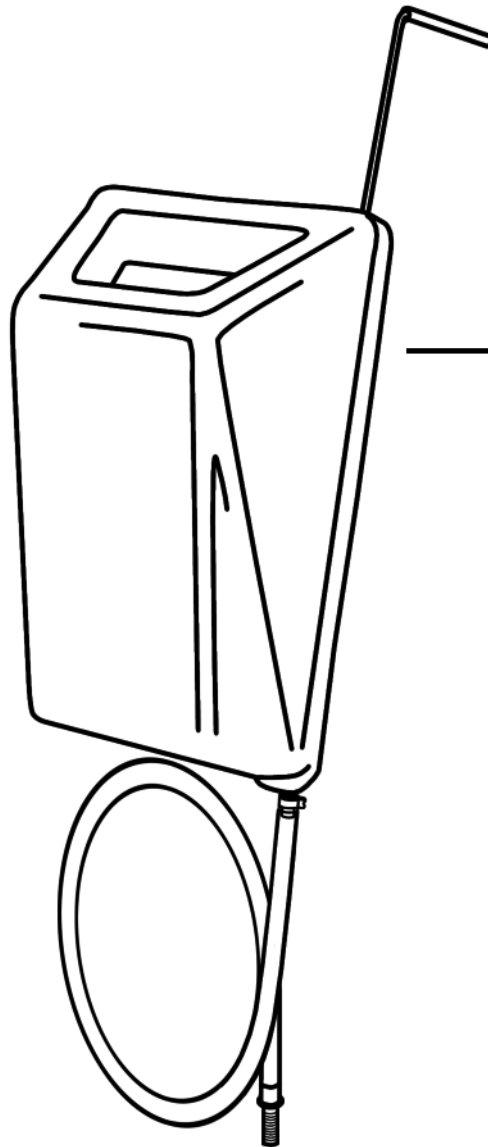
Ref.	Part No.	Description	Qty	Ref.	Part No.	Description	Qty
1a	B200683	Screw (AC)	4	28	B205079	Switch Box Cover	1
1b	B200745	Screw (DC)	4	29	B932062	Trigger Sleeve	2
2a	B200249	Canopy Weight Bracket (AC)	1	30	B524548	Safety Latch Spring	1
2b	B200749	Canopy Weight Bracket (DC)	1	31	B524244	Safety Latch	1
3a	B200748	Motor Canopy (AC)	1	32	B524825	Safety Latch Spacer	1
3b	B200748	Motor Canopy (DC)	1	33	B914705	Ring	1
5a	B200141	1.5 HP AC Motor & Gear Assembly	1	34	B524716	Handle Grip, Left	1
5b	B200747	1.5 HP DC Motor & Gear Assembly	1	35	B932090	Cord Hook	1
6	B932687	Cap Nut	2	36	B932647	Screw (8-32 x 1/2")	2
7	B600691	Star Latch	1	37	B205084	Strain Relief	1
8	B932648	Washer-Nylon	1	38	B932724	Hex Nut w/washer (1/2-20")	2
10	B980079	Handle Tee	1	39	B700547	Cord Set (14/3 x 44")	1
11	B700960	Carriage Bolt (3/8-16x5")	1	40	B525311	Restraint Shroud	1
12	B701001	Handle Adjustment Strut	2	41	B932653	Screw (1/4-20 x 1 1/2")	2
13	B700734	Compression Spring	2	42	B600670	Handle Pipe	1
14	B200533	Wheel & Spanner	2	43	B930404	Cord Set (14/3 x 50")	1
15	B701000	Wheel Axle	1	44	B527563	Switch Box	1
16	B600636	17" Chassis	1	46	B160695	Cast Aluminum Clamp	1
17	B230228	17" Bumper	1	47	B160700	Washer Clamp Double D	1
18	B200023	17" Bumper Insert	1	48	B160697	Rod and Cam Assembly	1
19	B932671	Screw (1/4-20 x 1")	4	49	B160698	Rubber Cam Grip	1
20	B932654	Lock Washer	4	50	B527690	Weight	1
21	B932536	Tee Shaft	1	80	B526148	Washer	4
22	B932079	Handle Clamp	1	82	B524064	Washer	4
23	B932046	Handle Grip, Right	2	83	B701399	Rod	1
24	B932127	Trigger	1	84	B526586	Knob	1
25	B932123	Trigger Spring	1	Parts Not Shown			
26	B930431	Switch Assembly	1	81	B600743	Spacer	1
27	B932631	Screw (8-32 x 1/2")	3				

SOLUTION HOSE ASSEMBLY

Ref.	Part No.	Description	Qty	Ref.	Part No.	Description	Qty
1	B911719	Shut-Off Valve	1	7	B700142	Hose	1
2	B700569	Seal Nut	1	8	B700571	Male Hose Barb	1
3	B700568	90 Degree Elbow	1	9	B700529	Coupling	1
4	B700567	Connector	1	10	B701334	Compression Fitting	1
5	B200075	Mounting Bracket	1	11	B600476	Solution Tube	1
6	B700570	Male Hose Barb	1				



4-Gallon Solution Tank



Solution Tank Complete
B100094

PULLMAN-HOLT

10702 N. 46th Street • Tampa, FL 33617
(813) 971-2223 • Fax (813) 971-6090
www.pullman-holt.com

B230412
06/11