

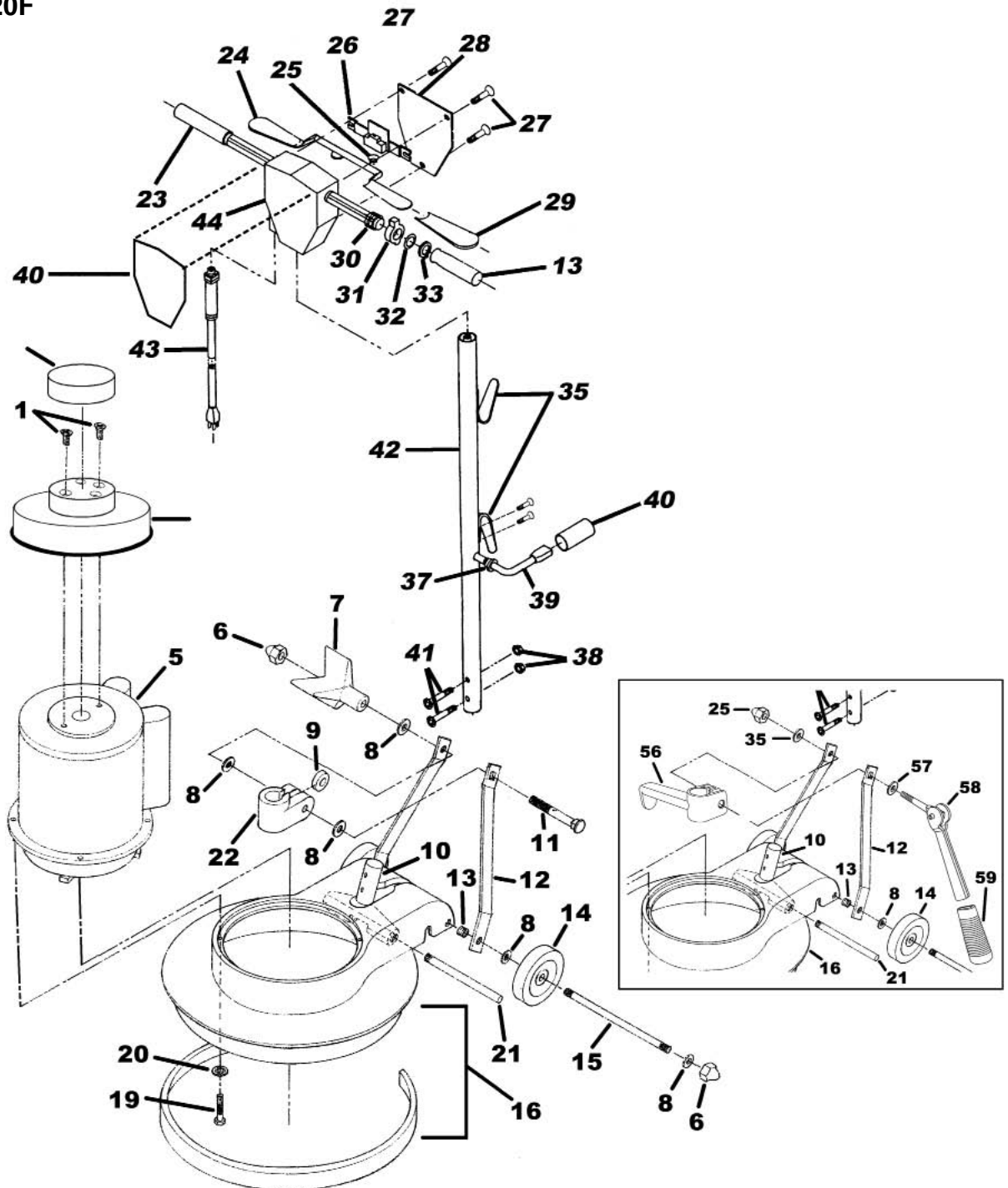
# PULLMAN-HOLT

## REPLACEMENT PARTS LIST

Save for future reference

### Floor Machines

Models B16E, B16F, B18E,  
B18F, B20E, B20F



# CHASSIS AND HANDLE ASSEMBLY

Ref.	Part No.	Description	Qty	Ref.	Part No.	Description	Qty
1	B932668	Screw (10-32 x 1/2")	2	25	B932123	Trigger Spring	1
2	B001004	Canopy Plastic Red	1	26	B930431	Switch Assembly	1
3	B001003	Motor Canopy Cap Red	1	27	B932631	Screw (8-32 x 1/2")	3
5a	B200140	Motor Assembly 1.0 HP (All E Models)	1	28	B001002	Switch Box Cover Polished	1
5b	B200141	Motor Assembly 1.5 HP (All F Models)	1	29	B932062	Trigger Sleeve	2
6	B521479	Acorn Nut	3	30	B524548	Safety Latch Spring	1
7	B600691	Star Latch	1	31	B524244	Safety Latch	1
8	B932648	Washer-Nylon	9	32	B524825	Safety Latch Spacer	1
10	B980079	Handle Tee	1	33	B914705	Ring	1
11	B700960	Carriage Bolt (3/8-16x5")	1	34	B524716	Handle Grip, Left	1
12	B700957	External Strut	2	35	B932090	Cord Hook	2
13	B520614	Compression Spring	2	36	B932647	Screw (8-32 x 1/2")	4
14	B932160	5" Wheel	2	37	B205084	Strain Relief	1
15	B700958	Wheel Axle	1	38	B932724	Hex Nut w/washer (1/2-20")	2
16	B802104	16" Chassis Assy Polished	1	39	B700547	Cord Set (14/3 x 44")	1
16	B802107	18" Chassis Assy Polished	1	40	B525311	Restraint Shroud	1
16	B802110	20" Chassis Assy Polished	1	41	B932653	Screw (1/4-20 x 1 1/2")	2
19	B932671	Screw (1/4-20 x 1")	4	42	B600670	Handle Pipe	1
20	B932654	Lock Washer	4	43	B930404	Cord Set (14/3 x 50")	1
21	B932536	Tee Shaft	1	44	B001001	Switch Box Polished	1
22	B932079	Handle Clamp	1	46	B160695	Cast Aluminum Clamp	1
23	B932046	Handle Grip, Right	2	47	B160700	Washer Clamp Double D	1
24	B932127	Trigger	1	48	B160697	Rod and Cam Assembly	1
				49	B160698	Rubber Cam Grip	1