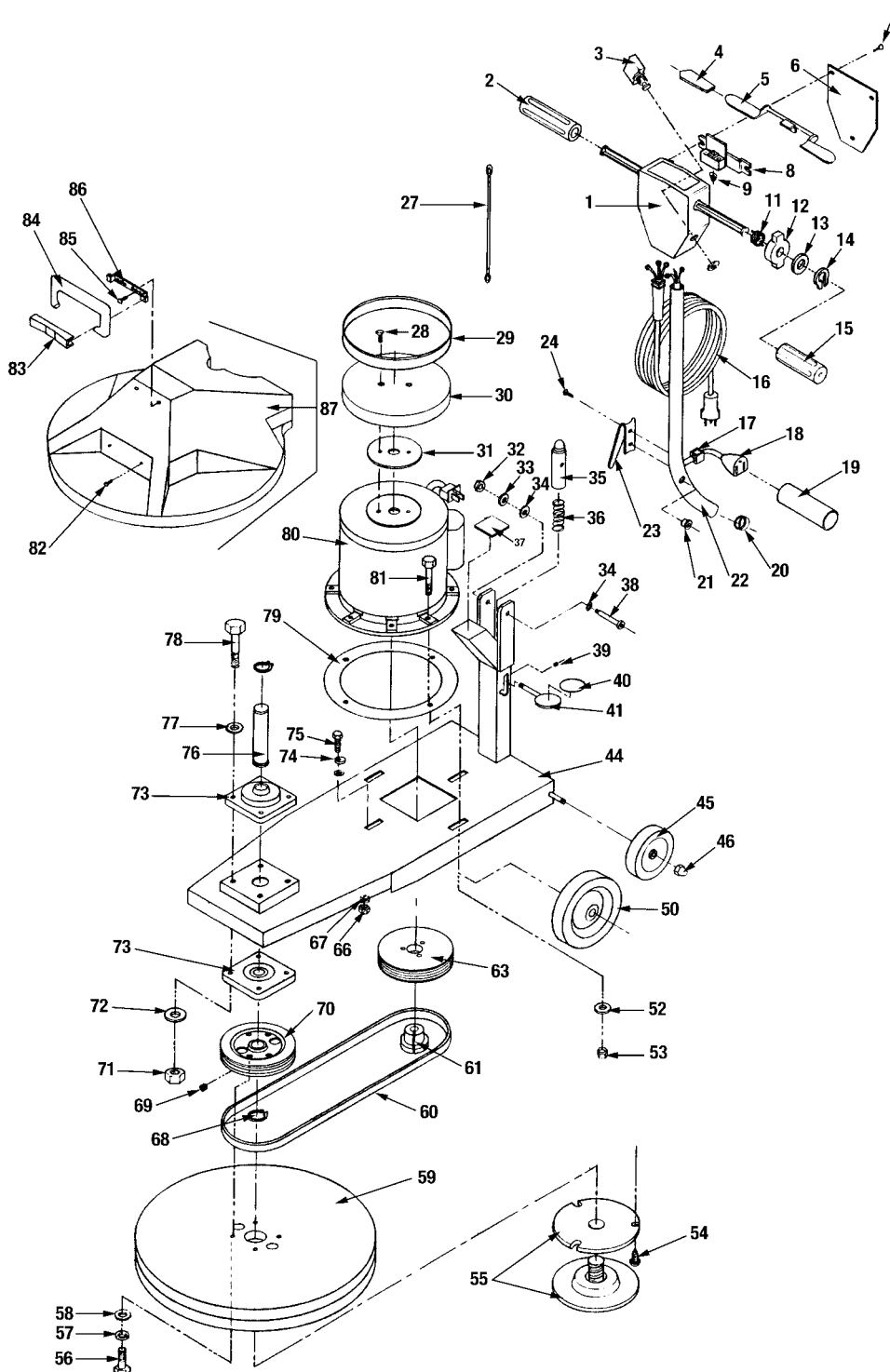


PULLMAN-HOLT

Replacement Parts List

Save For Future Reference

"Gloss Boss" Burnisher GB-1500X



REPLACEMENT PARTS LIST: CHASSIS & HANDLE ASSEMBLY

Ref. No.	B Part No.	Description	Qty.	Ref. No.	B Part No.	Description	Qty.
1	B527633	Switch Box w/Safety Latch	1	50	B980565	6" Wheel	2
2	B932046	Right Handle Grip	1	52	B960501	Flat Washer	4
3	B980547	Circuit Breaker	1	53	B932599	Nut (5/16"-18)	4
4	B932062	Trigger Sleeve	2	54	B931308	Screw (#10x1/2")	3
5	B980302	Trigger	1	55	B700378	Pad Lock Device	1
6	B205079	Switch Box Cover	1	56	B932589	Screw (5/16"-18x1 1/4")	4
7	B932631	Screw (8-32x1/2")	3	57	B932665	Split Lock Washer	4
8	B930431	Switch Assembly	1	58	B960501	Flat Washer	4
9	B932123	Trigger Spring	1	59	B980559	Pad Driver	1
11	B524548	Safety Latch Spring	1	60	B522774	Drive Belt	1
12	B524244	Safety Latch	1	61	B980550	Tapered Bushing	1
13	B524825	Safety Latch Spacer	1	63	B522768	Motor Pulley	1
14	B914705	Ring	1	66	B932599	Lock Nut (5/16"-18)	1
15	B524716	Left Handle Grip	1	67	B932664	Flat Washer	3
16	B930404	Cord Set (14/3x50ft)	1	68	B914705	Retaining Ring	2
17	B205084	Strain Relief	1	69	B914679	Setscrew (5/16"-18)	2
18	B525046	Cordset (14/3x33")	1	70	B980586	Driven Pulley	1
19	B525311	Restraint Shroud	1	71	B932684	Lock Nut (3/8" - 16)	4
20	B524399	Handle Plug	1	72	B960501	Flat Washer	4
21	B524393	Bushing	2	73	B521111	Flange Bearing	2
22	B525022	Handle Pipe	1	74	B980570	Cam Tensioner	1
23	B932090	Cord Hook	1	75	B932679	Screw (5/16-18x1")	1
24	B932647	Screw (8-32x3/8")	2	76	B980554	Shaft Bearing	1
27	B800037	Lead Assembly	2	77	B932648	Flat Washer	4
28	B932668	Screw (10-32x1/2")	2	78	B980571	Screw (3/8"-16x2")	4
29	B527092	Canopy Bumper	1	79	B932969	Motor Gasket	1
30	B205081	Motor Canopy	1	80	B980548	1.5 HP Motor	1
31	B930522	Canopy Spacer	1	81	B932679	Screw (5/16"-18x1")	4
32	B932599	Nut (5/16" - 18)	1	82	B932702	Screw (10-24x3/4")	6
33	B932664	Flat Washer	1	83	B980564	Handle Cap	1
34	B932648	Flat Washer	2	84	B980562	Handle	1
35	B524356	Handle Latch Pin	1	85	B980563	Handle Bracket	1
36	B524384	Handle Release Spring	1	86	B932716	Screw (8-32)	2
37	B522102	Bumper Pad	1	87	B524866	Shroud Assembly	1
38	B524320	Shoulder Bolt (3/8-16x2")	1				
39	B980257	Screw (1/2"-20x5/16")	1				
40	B526149	2" Pedal Disc	1				
41	B524856	Pedal Release	1				
44	B200519	Chassis	1				
45	B932159	4" Wheel	2				
46	B932661	Acorn Nut (3/8" -16)	2				

	Motor Parts Not Shown B527360 Capacitor (run) B527353 Capacitor (start) B527345 Stationary Switch B527348 Rotor Switch
--	---

Trouble Shooting Guide

Symptom	Possible Cause(s)	Corrective Action
Motor Won't Run	1) Circuit breaker open on handle	1) Reset circuit breaker
	2) Blown fuse or tripped circuit	2) Replace fuse or reset circuit breaker
	3) Defective switch	3) Replace switch
	4) Defective power cord	4) Replace power cord
	5) Low in voltage	5) If voltage under recommended minimum, check size of wiring from main switch. If okay, contact power company.
	6) Defective motor capacitor	6) Refer to service center
	7) Pad loaded, heavily soiled	7) Clean or replace pad
	8) Loose or broken belt	8) Tighten or replace belt
Machine Noisy	1) Defective motor	1) Return to service center
	2) Dry bearings	2) Replace the bearing or return to service center.
Machine Vibrates	1) Pad	1) Check pad for unevenness. Change if necessary
	2) Drive block	2) Check wooden drive block for cracks, chips or wax and dirt build-up. Replace or clean block.

WARNING : Always disconnect power cable from electrical outlet when working on this machine.

PULLMAN-HOLT

10702 N 46th Street • Tampa, FL 33617
 (813)971-2223 • toll free (800) 237-7582
 fax (813) 971-6090 • order entry fax (800) 833-8875
www.pullmanholtcorp.com

B703453 1/99