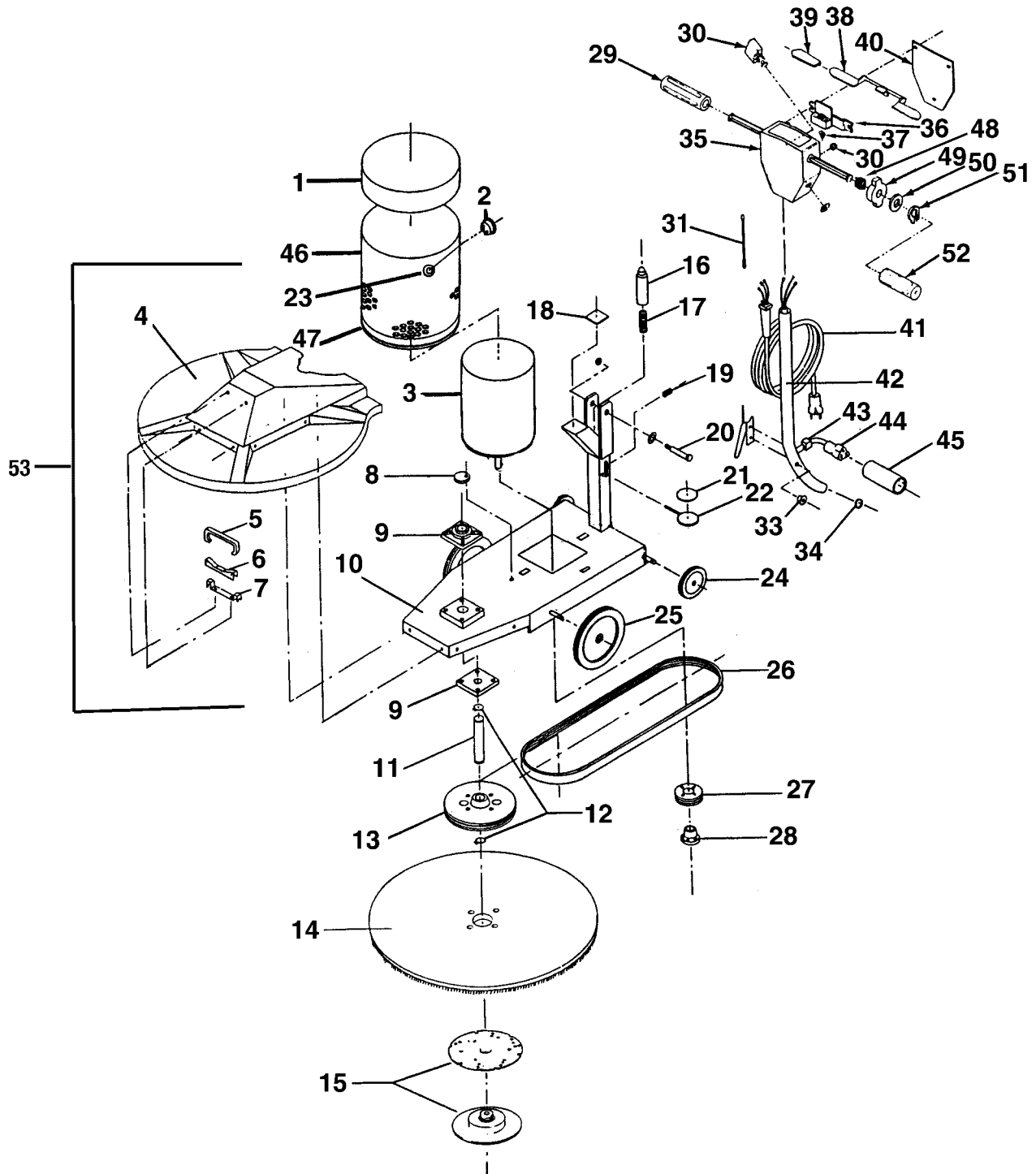


# PULLMAN-HOLT

## Replacement Parts List

Save For Future Reference

### "Gloss Boss" Burnisher GB-2000DC



# REPLACEMENT PARTS LIST

Ref. No.	B Part No.	Description	Qty.	Ref. No.	B Part No.	Description	Qty.
1	B600417	Motor Canopy	1	27	B527651	Motor Pulley	1
2	B700434	Neon Lamp	1	28	B980550	Tapered Bushing	1
3	B200034	Motor Assembly	1	29	B932046	Handle Grip	1
4	B521113	Pad Drive Shroud	1	30	B980547	Circuit Breaker	1
5	B980562	Lift Handle	1	31	B800037	Jumper Lead Assembly	1
6	B980564	Handle Cap	1	32	B932090	Cord Hook	1
7	B980563	Handle Bracket	1	33	B524393	Bushing	2
8	B980570	Cam Tensioner	1	34	B524399	Cap	1
9	B521111	Flange Bearing	2	35	B527633	Switch Box	1
10	B527518	Chassis	1	36	B930431	Switch Assembly	1
11	B980554	Shaft	1	37	B932123	Trigger Spring	1
12	B914705	Retainer Ring	2	38	B980302	Trigger	1
13	B980586	Drive Pulley	1	39	B932062	Trigger Sleeve	2
14	B980559	Pad Driver	1	40	B205079	Switch Box Cover	1
15	B700378	Pad Holder	1	41	B930404	Cord Set	1
16	B524356	Latch Pin	1	42	B525022	Handle Pipe	1
17	B524384	Spring	1	43	B205084	Strain Relief	1
18	B522102	Handle Bumper	1	44	B525046	Cord Set	1
19	B980257	Set Screw	1	45	B525311	Shroud Restraint	1
20	B524320	Shoulder Bolt	1	46	B600521	Motor Shield	1
21	B526149	Pedal Pad	1	47	B200029	Gasket	1
22	B524856	Pedal	1	48	B524548	Spring	1
23	B700748	Grommet	1	49	B524244	Safety Latch	1
24	B932159	4" Wheel	2	50	B524825	Spacer	1
25	B980565	6" Wheel	2	51	B914705	Ring	1
26	B522774	Drive Belt	1	52	B524716	Handle Grip S/L	1
				53	B524866	Shroud Assembly	1

## PULLMAN-HOLT

10702 N 46th Street • Tampa, FL 33617  
 (813)971-2223 • toll free (800) 237-7582  
 fax (813) 971-6090 • order entry fax (800) 833-8875  
[www.pullmanholtcorp.com](http://www.pullmanholtcorp.com)