

PULLMAN-HOLT

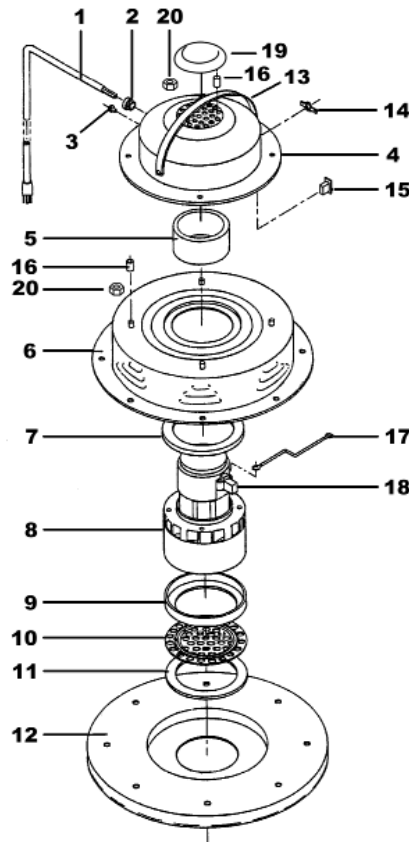
REPLACEMENT PARTS LIST

Save for future reference

102ASB-12P Dry Asbestos Vacuum

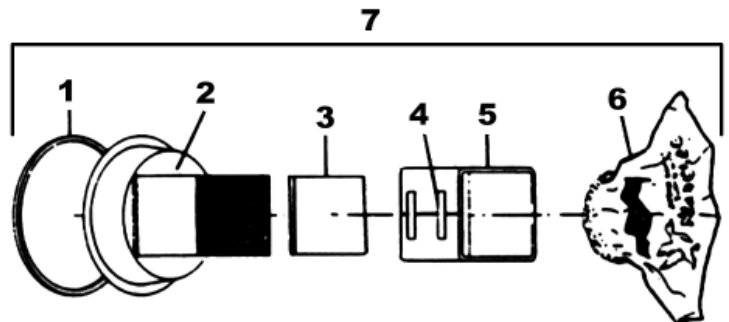
Motorhead Assembly

Ref.	Part No.	Description	Qty
1	B701062	Cord Set	1
2	B701063	Strain Relief	1
3	B910014	Ground Screw	1
4	B522099	Dome	1
5	B521533	Gasket	1
6	B527458	Blower Chamber Assemblies	1
7	B911083	Gasket	1
8A	B527297	Motor 115V	1
8B	B701293	Motor 230V	1
9	B910091	Gasket	1
10	B913397	Screen Fan Guard	1
11	B911803	Gasket	1
12	B600257	Can Cap	1
13	B911974	Handle	1
14	B910008	Switch Plate	1
15	B701061	Rocker Switch	1
16	B910055	Spacer	7
17	B910004	Wire Assembly	1
18	B700628	Brush Mechanism	2
19	B600404	Splash Guard	1
20	B524231	Spacer Nuts	7
	B160244	Complete Head Assembly	1



16" Hepa Filter

Ref.	Part No.	Description	Qty
1	B000404	Air Seal Gasket	1
2		16" Plastic HEPA	1
3	B700017	HEPA Preflter	1
4	B527383	Velcro	2
5	B700306	Outer Filter	1
6	B000517	Never Clog Bag	1
7	B160009	HEPA Filter Assembly	1
	B524253	Paper Bag (not shown)	
	B524263	Poly Bag (not shown)	



NOTE: Using replacement HEPA filters other than original factory replacement filters supplied by Pullman-Holt will nullify all warranties, specific or implied.

VACMOBILE ASSEMBLY

Ref. Part No.	Description	Qty	Ref. Part No.	Description	Qty		
1	B911992	Handle	1	15	B980228	Flange Nut	1
2	B520915	Handle Clamp	2	17	B910035	Acorn Nut	5
3	B520104	Handle Support	2	18	B260562	Inlet Connector	1
4	B932637	Bolt .25-20 x 1.25	2	19	B520376	Inlet Gasket	1
5	B703544	Wheel	2	20	B600664	Scoop	1
5*	B701575	Wheel - Prior to June 2010	2	21	B521454	Vac Head Clamp	3
6	B910073	Hub Cap	2	22	B911577	Screw	5
7	B980557	Hex Nut	2	23	B521088	Back Up Plate	2
8	B521101	Frame	1	24	B521086	Handle Bracket	2
9	B980556	Washer	2	25	B703549	Hub Cap Cover	2
10	B910518	Non-Lock, Caster	2	26	B910013	Nut	2
11	B520353	Trim Plug	2	27	B910028	Bolt 10-24 x .50	2
13	B960941	Dump Valve	1	28	B521114	12 Gal. Poly Tank Assembly	1
14	B700531	Gasket	2				

