

PULLMAN-HOLT

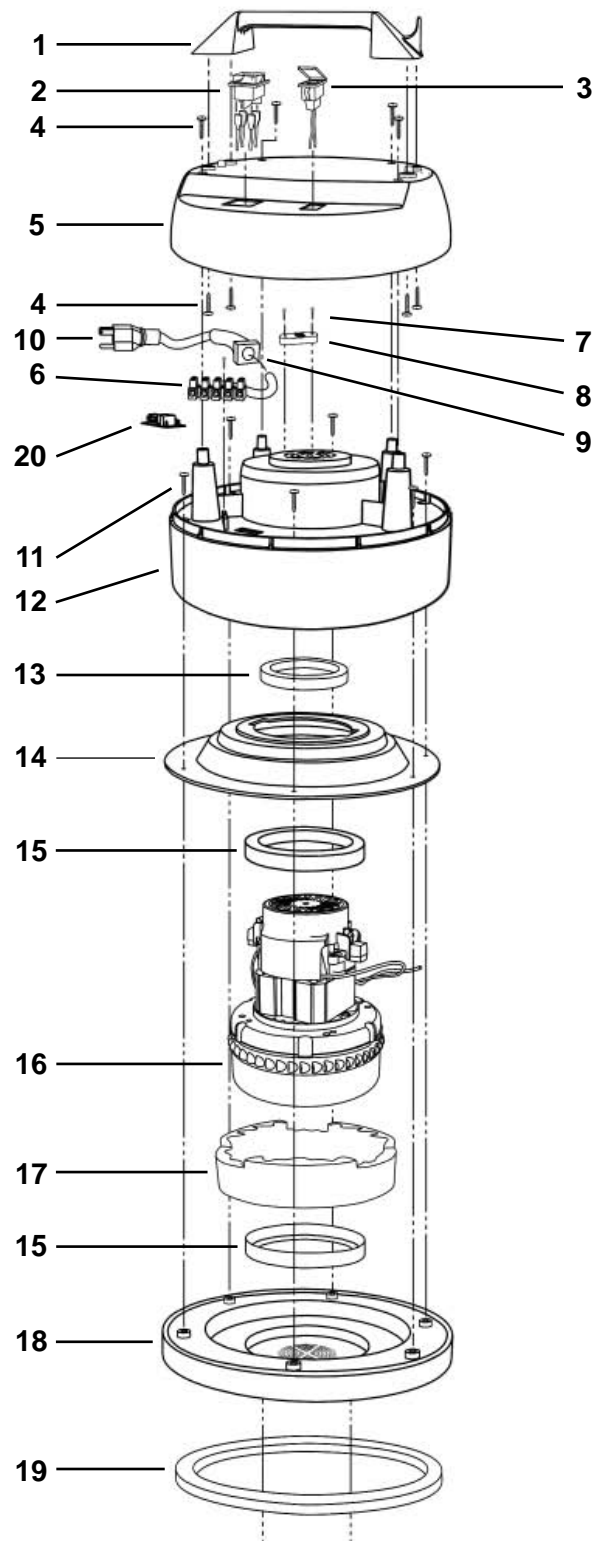
REPLACEMENT PARTS LIST

Save for future reference

45-HEPA 10TT Dry Tool Trigger Vacuum

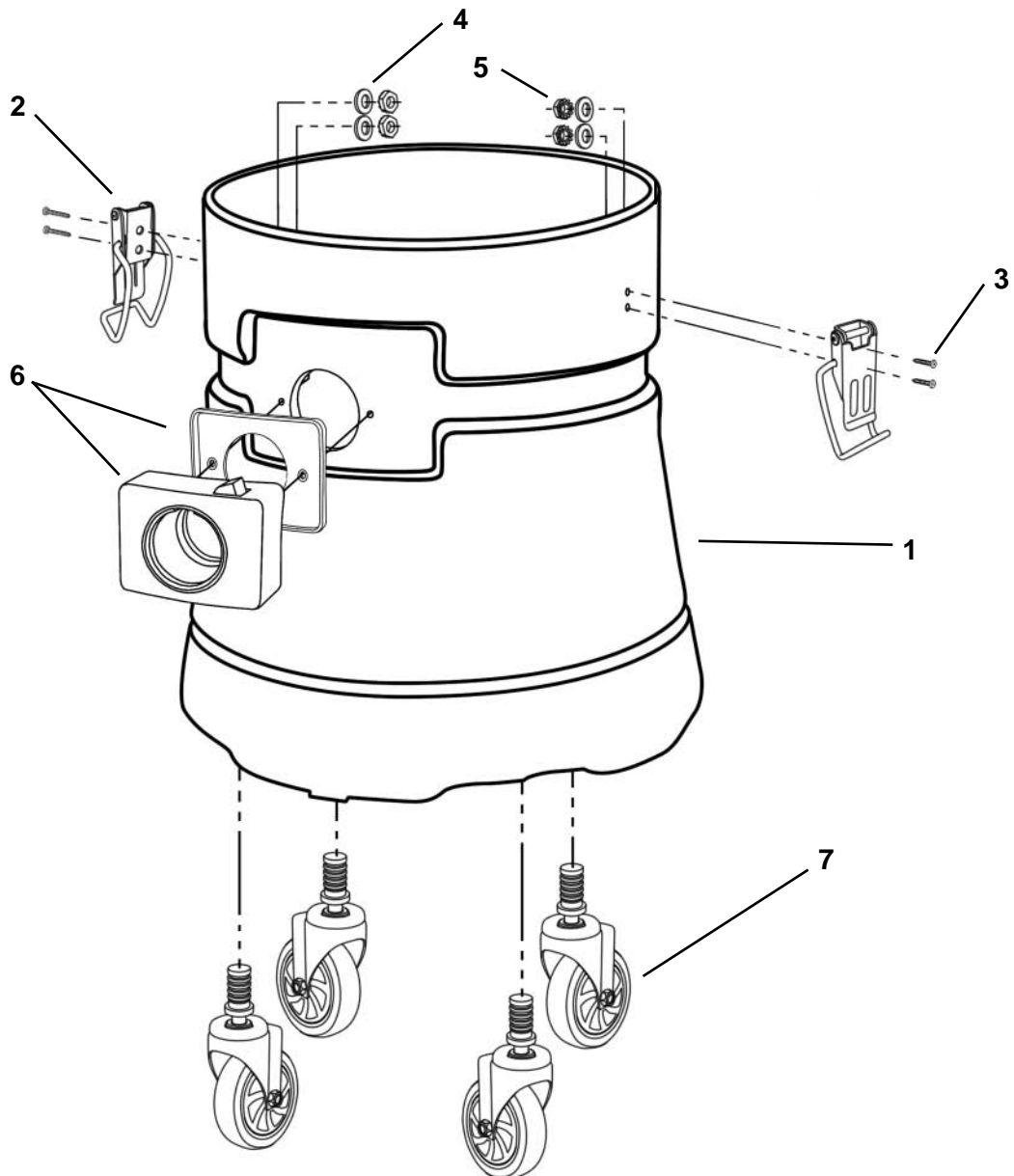
Motorhead Assembly

Ref.	Part No.	Description	Qty
1	B160644	Top Handle	1
2	B701881	Switch	1
3	B110029	Outlet	1
4	B160646	Screw 4.8 x 15mm	8
5	B160647	Dome	1
6	B160648	Terminal Strip	1
7	B701892	Screw 2.9 x 19mm	3
8	B701893	Cord Restraint	1
9	B160649	Rubber Strain Relief	1
10	B110019	Cord Set 16/3-50'	1
11	B702390	Screw 4.8 x 19mm	6
12	B160650	Blower Chamber	1
13	B701897	Motor Cooling Gasket	1
14	B701896	Top Motor Adaptor	1
15	B701898	Motor Housing Gasket	2
16	B527297	Motor 120 volt	1
17	B701883	Foam	1
18	B701900	Can Cap	1
19	B701901	Gasket Can Cap	1
20	B100427	Circuit Board	1



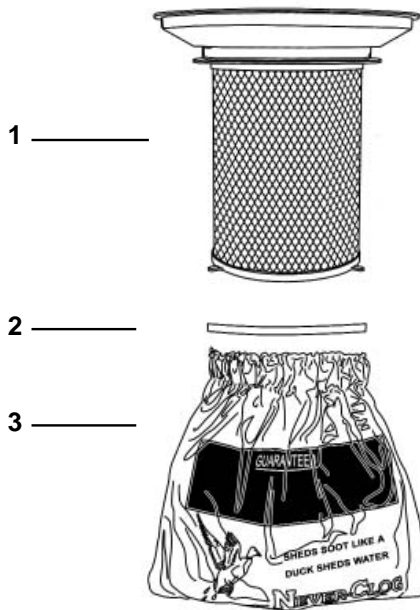
TANK ASSEMBLY

Ref.	Part No.	Description	Qty	Ref.	Part No.	Description	Qty
1	B701905	10 Gallon Tank	1	5	B932635	Nut 10-24	4
2	B100464	Clamp	2	6	B701889	Hose Inlet w/Gasket	1
3	B700191	Stainless Steel Screw	4	7	B100463	Caster	4
4	B910068	Washer	4				



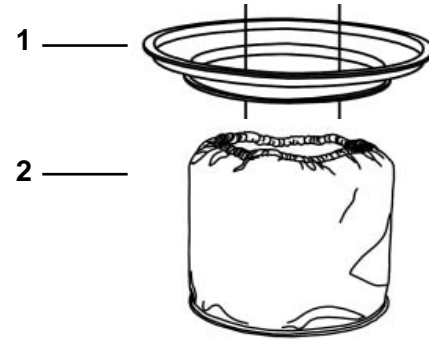
HEPA Filter Assembly

Ref.	Part No.	Description	Qty
1	B702340	HEPA Filter	1
2	B702343	Bag Retainer - Rubber	1
3	B000517	Never Clog Filter Bag	1



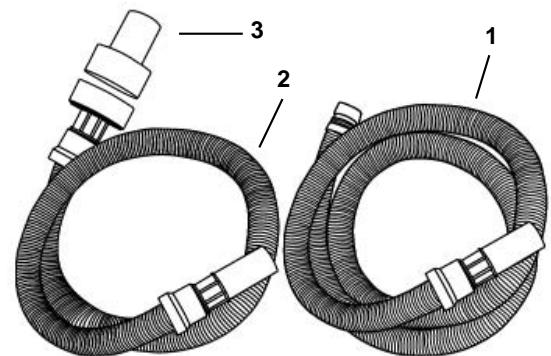
Modular Filter Assembly

Ref.	Part No.	Description	Qty
1	B701885	Filter Ring	1
2	B701904	Cloth Filter	1



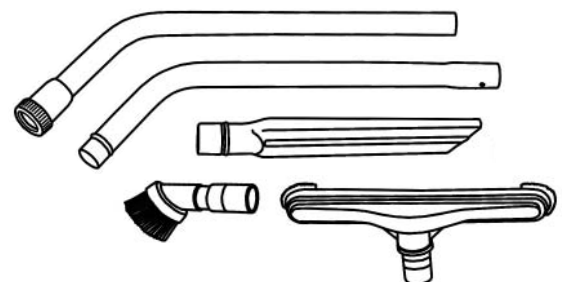
Hoses

Ref.	Part No.	Description	Qty
1	B110026	10' Crushproof Hose w Ends	1
2	B110022	4' Hose w/o Adaptor	1
3	B110021	Hose Adapter	1
4	B110027	4' Crushproof Hose Assy Complete w Adaptor	1

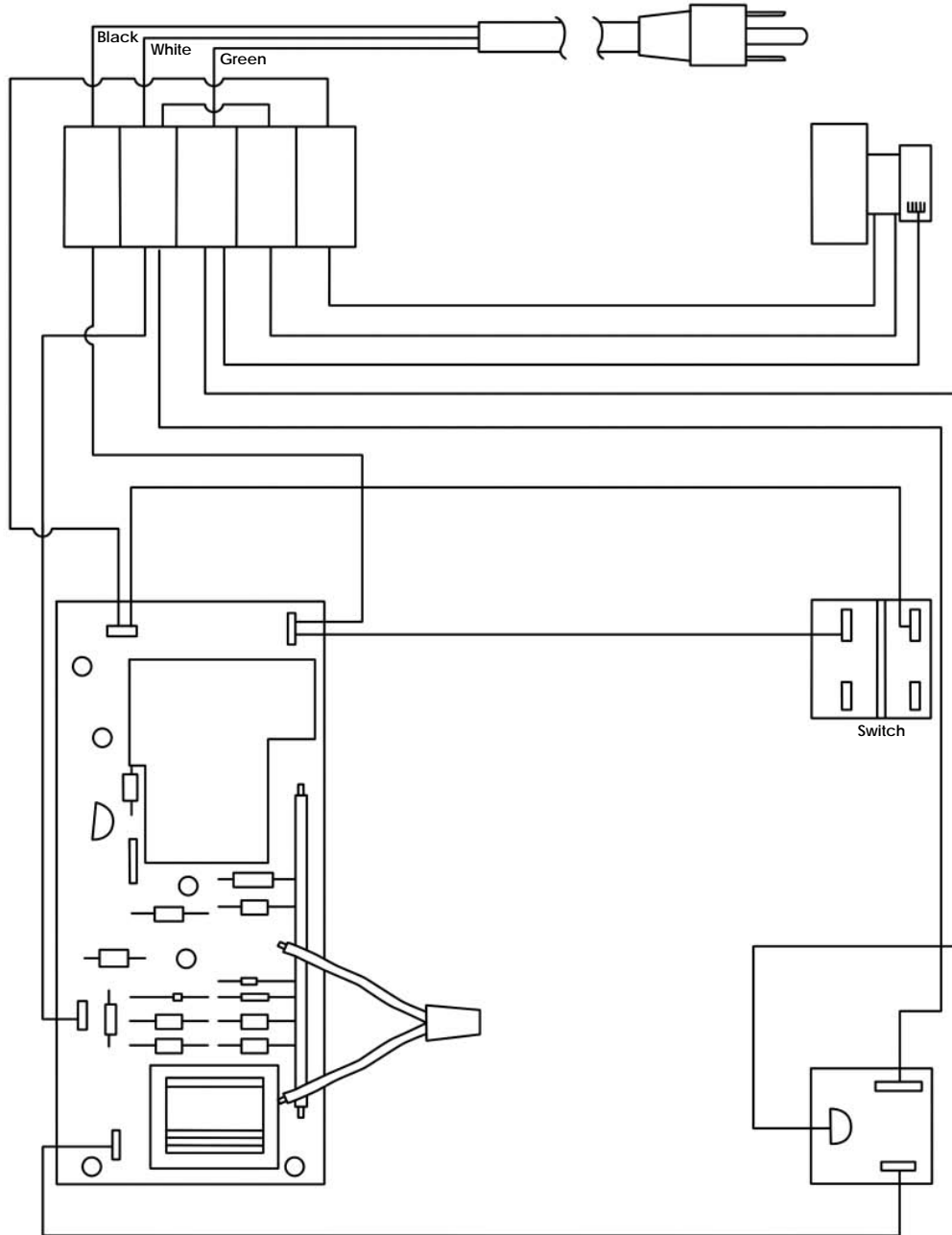


Optional Tool Kit

Part No.	Description	Qty
B521007	5' Two Piece Wand	1
B000394	2" Dusting Brush	1
B701615	17" Crevice Tool	1
B527095	Floor Brush	1



WIRING DIAGRAM



PULLMAN-HOLT

10702 N. 46th Street • Tampa, FL 33617
(813) 971-2223 • Fax (813) 971-6090
www.pullman-holt.com

B110034
06/12