

PULLMAN-HOLT

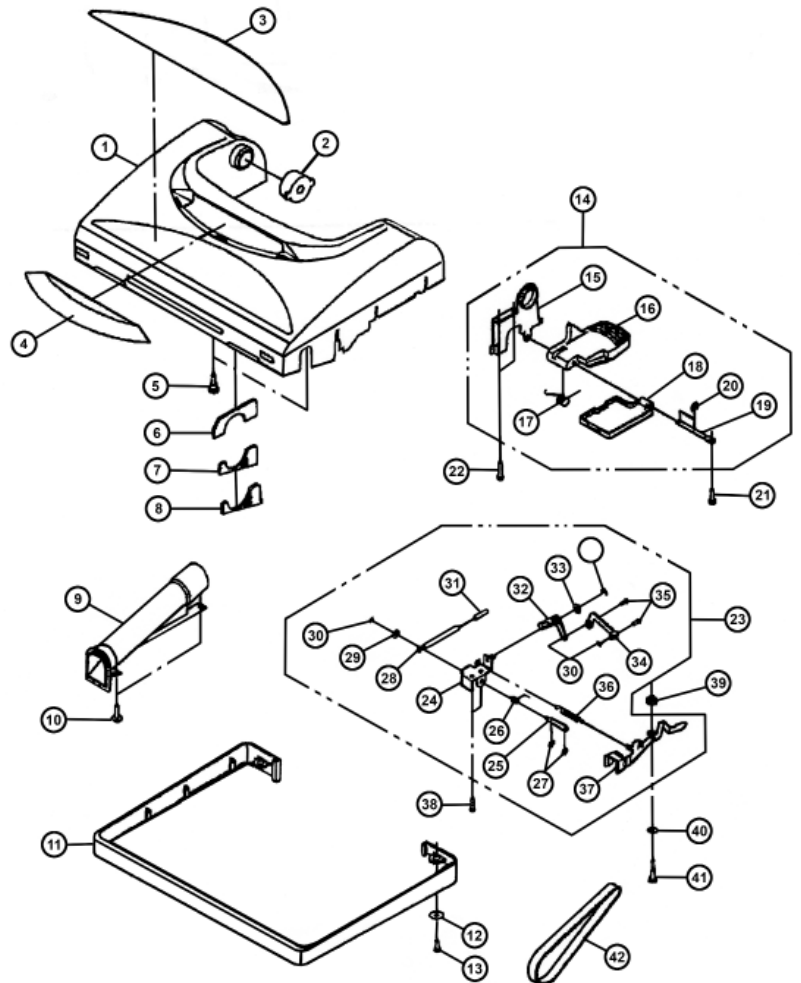
REPLACEMENT PARTS LIST

Save for future reference

Model UV9 Vacuum

Brush Housing Assembly

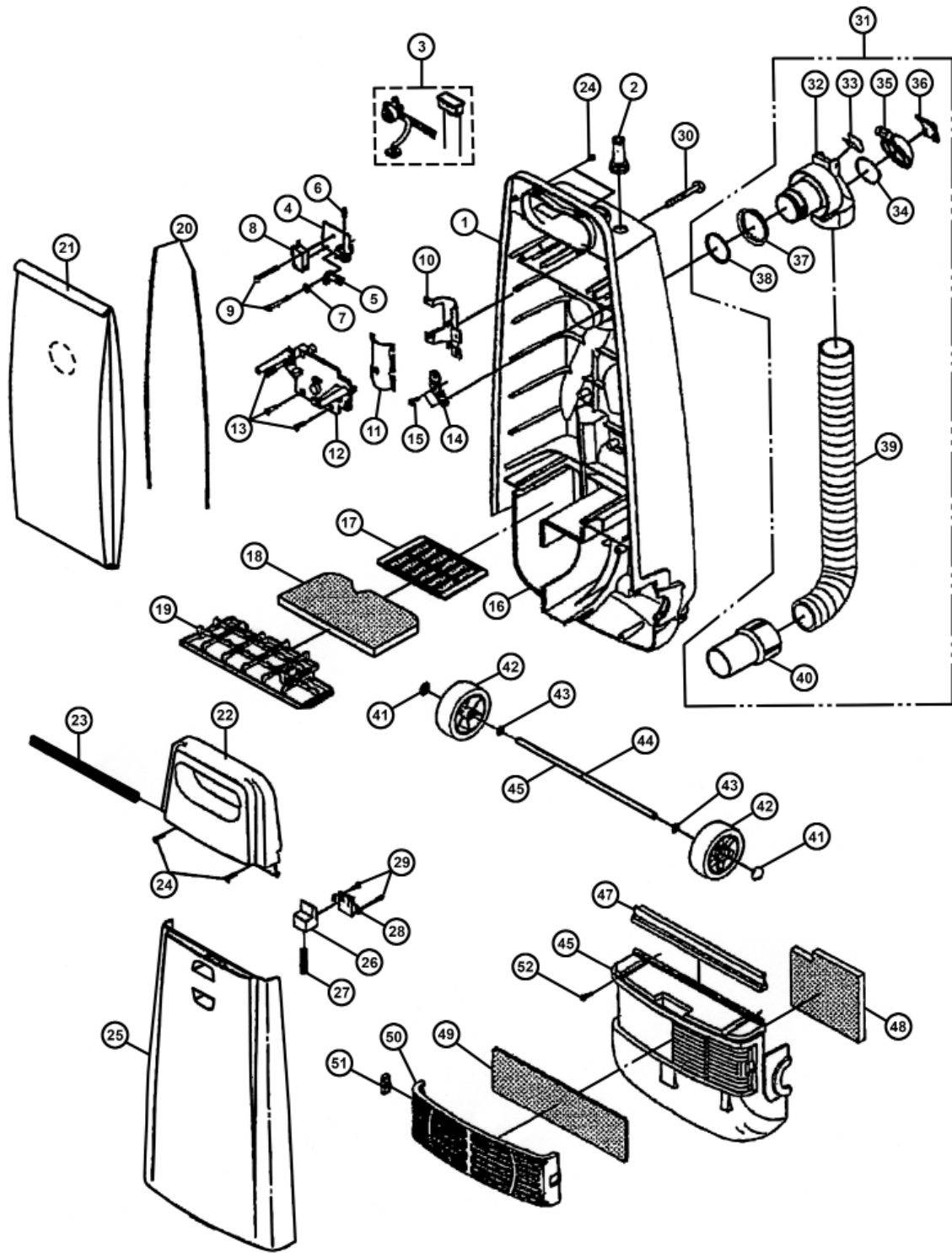
Ref.	Part No.	Description	Qty
1	B260965	Brush Nozzle Base Housing	1
2		Plastic Bushing	1
3		Top Mark	1
4	B260961	Light Bulb	1
5		Bottom Plate Lock Screw	2
6		Nozzle Housing Felt Packing	1
7		Vented Support Felt Packing	1
8		Vented Support Fitting	1
9		Nozzle Inlet	1
10		Set Screw	2
11		Furniture Guard	1
12		Washer	1
13		Set Screw	1
14		Foot Pedal Complete	1
15		Pedal Frame	1
16		Foot Pedal	1
17		Foot Pedal Spring	1
18		Rear Belt Cover	1
19		Foot Pedal Shaft	1
20		E-Clip	2
21		Set Screw	1
22		Set Screw	2
23		Clutch Crank Rod Frame Complete	1
24		Clutch Crank Rod Frame	1
25		Clutch Crank Rod Frame Shaft	1
26		Rod Frame Shaft Spring	1
27		E-Clip	3
28		Clutch Lever	1
29		Washer	1
30		E-Clip	3
31		Clutch Lever Boot	1
32		Clutch Crank Rod	1
33		Washer	1
34		Clutch Crank Rod	1
35		Clutch Crank Rod Pin	2
36		Belt Controller Plate Spring	1
37		Belt Controller Plate	1
38		Set Screw	2
39		Belt Controller Plate Washer	1
40		Washer	1
41		Belt Controller Plate Screw	1
42	B260953	Belt	1



Filter Housing Assembly

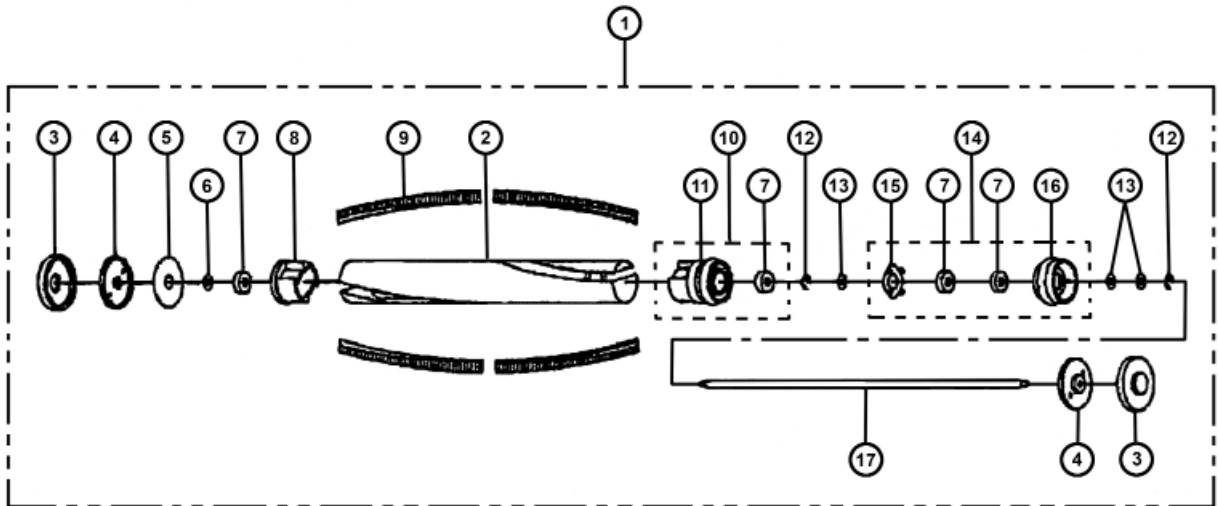
Ref.	Part No.	Description	Qty	Ref.	Part No.	Description	Qty
1		Dust Compartment	1	32		Attachment Connecting Device	1
2		SJT Rubber Boot	1	33		Suction Inlet Cover Spring	1
3		Vacuum Sensor & Fullbag Indicator	1	34		Suction Inlet Cover Seal	1
4		Switch Mounting Plate	1	35		Magnet Holder Cover	1
5		Switch Activator	1	36		Magnet Holder	1
6		Switch Activator Spring	1	37		Attach. Connecting Device Seal (lg)	1
7		Plastic Washer	1	38		Attach. Connecting Device Seal (sm)	1
8		Switch	1	39		Stretch Hose	1
9		Set Screw	2	40		Hose Cuff	1
10		Handle Fitting (rear)	1	41		Cap Nut	2
11		Handle Fitting (front)	1	42		TPR Rear Wheel	2
12		P.C. Board Holder	1	43		Washer	2
13		Set Screw	3	44		Set Screw	1
14		Cord Holder	1	45		Rear Wheel Shaft	1
15		Set Screw	2	46		Motor Cover	1
16		Motor Compartment Seals	1	47		Motor Cover Seal	1
17		Filter Supporter Screen	1	48		Exhaust Filter	1
18	B260955	Secondary Filter	1	49	B260954	Post Cover Filter	1
19	B260956	Bag Supporter	1	50		Post Cover	1
20		Dust Compartment Side Seals	1	51		Post Cover Knob	1
21		Disposable Dust Bag	1	52		Set Screw	4
22		Switch Housing Cover	1				
23		Dust Cover Seal	1				
24		Set Screw	4				
25	B260952	Dust Cover	1				
26		Cover Release Button	1	53		Magnet	1
27		Cover Release Button Spring	1				
28		Release Button Cover	1				
29		Set Screw	2				
30		Handle Screw	1				
31		Stretch Hose Complete	1				

PARTS NOT SHOWN



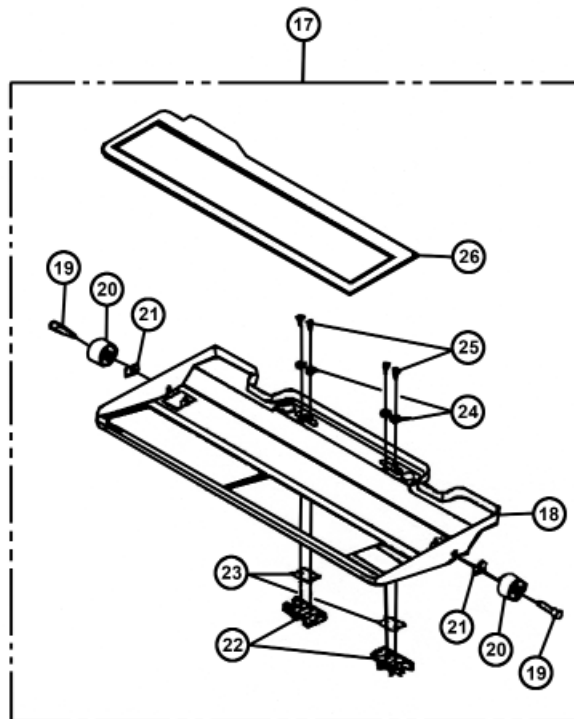
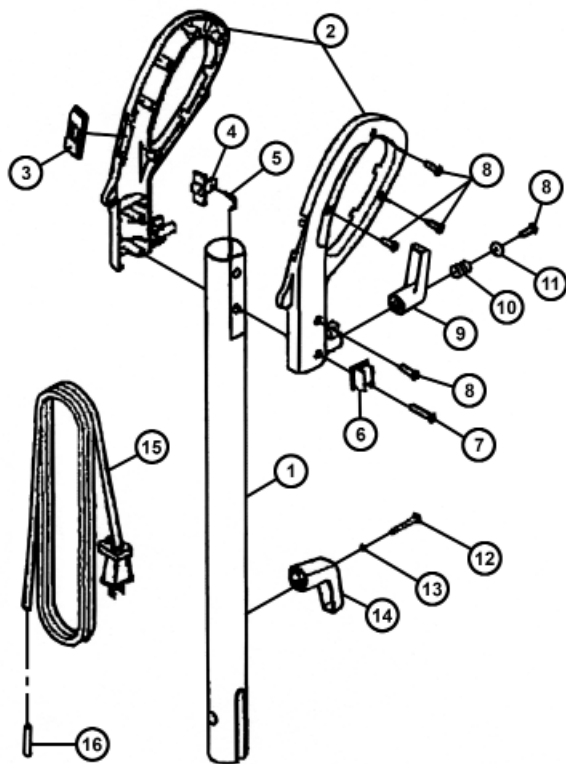
Brush Assembly

Ref.	Part No.	Description	Qty	Ref.	Part No.	Description	Qty
1	B260963	Brush Roller Assembly	1	10		Clutch Pulley (large) Complete	1
2		Agitator Core (metal)	1	11		Clutch Pulley (large)	1
3		Rubber End Cover	2	12		E-Clip	2
4		End Cap	2	13		Washer	3
5		Agitator Felt Washer	1	14		Clutch Pulley (small) Complete	1
6		Washer	1	15		Clutch Pulley Cover	1
7		Agitator Bearing	4	16		Clutch Pulley (small)	1
8		Agitator Bearing Holder	1	17		Agitator Shaft	1
9	B260962	Agitator Brush	6				



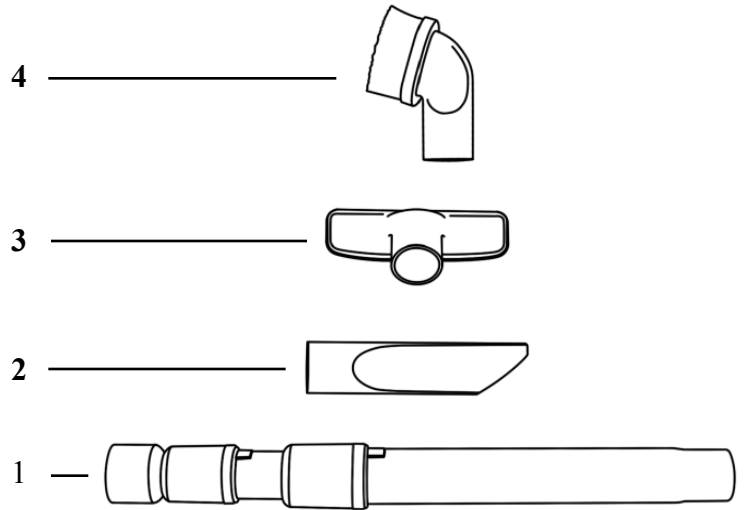
Handle Assembly

Ref.	Part No.	Description	Qty	Ref.	Part No.	Description	Qty
1		Handle Tube	1	14		Set Screw	1
2		Handle Grip	1	15	B260964	Power Cord 50ft. orange	1
3		Switch Window	1	16		Cord Protection Tube	1
4		Switch Knob	1	17		Bottom Plate Assembly (lock)	1
5		Handle Lever Rod	1	18		Bottom Plate (lock)	1
6		Large Handle Side Clip	1	19		Bottom Plate Wheel Pin	2
7		Set Screw	1	20		Bottom Plate Wheel (TPR)	2
8		Set Screw	5	21		Push-on Nut	2
9		Large Upper Cord Hook	1	22		Bottom Plate Latch	2
10		Cord Hook Spring	1	23		Bottom Plate Latch Spring	2
11		Washer	1	24		Bottom Plate Latch Washer	4
12		Large Lower Cord Hook	2	25		Set Screw	4
13		Spring Washer	2	26		Packing Grip	1



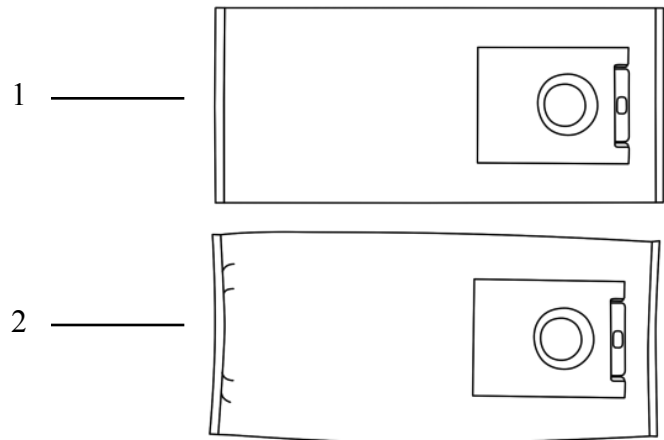
Tools

Ref.	Part No.	Description	Qty
1	B260957	Telescoping Wand	1
2	B260958	Crevice Tool	1
3	B260960	Upholstery Tool	1
4	B260959	Dusting Brush	1



Bags

Ref.	Part No.	Description	Qty
1	B260951	Multifilter Paper Bag	1
2	B260950	Premium Filter Bag (5 pk)	1



NOTES:

PULLMAN-HOLT

10702 N. 46th Street • Tampa, FL 33617
(813) 971-2223 • Fax (813) 971-6090
www.pullman-holt.com