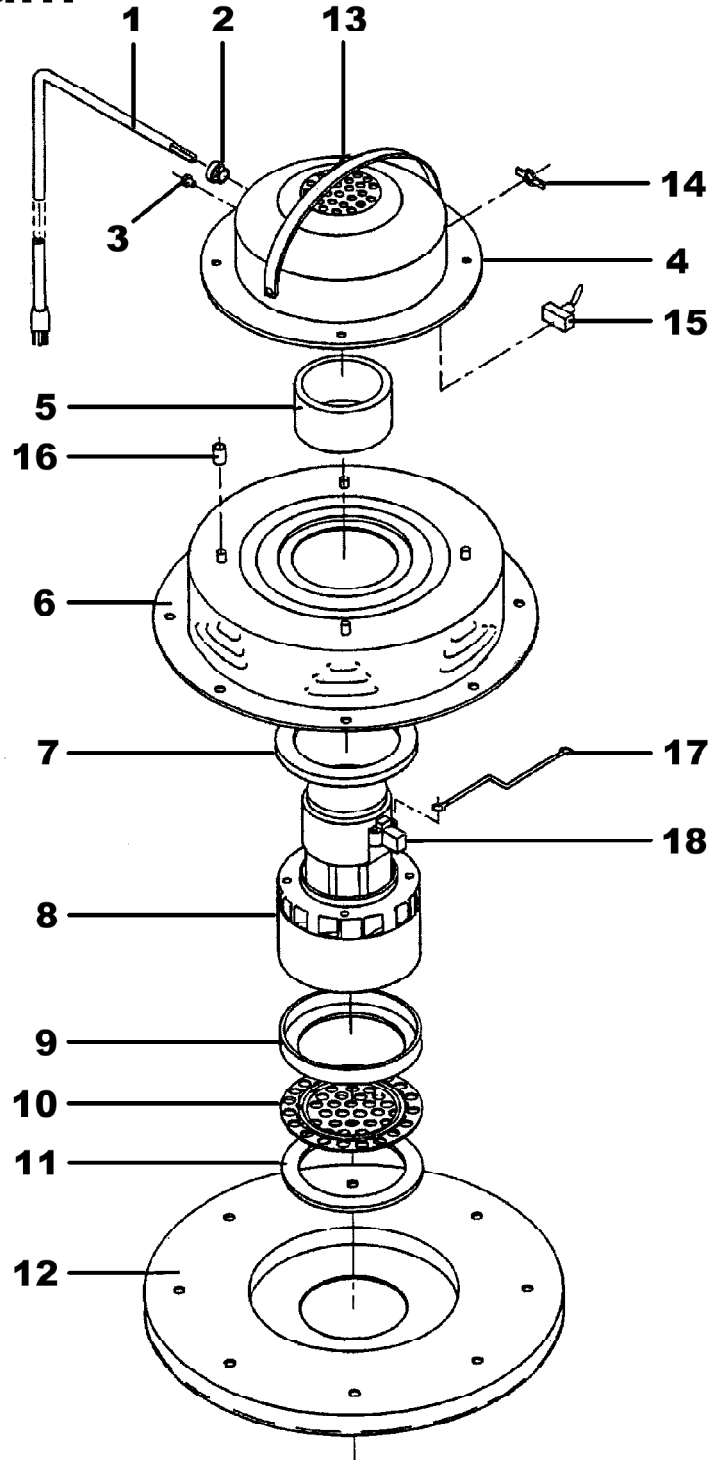


PULLMAN-HOLT

REPLACEMENT PARTS LIST

Save for future reference

102-12P Wet/Dry Vacuum



Motorhead Assembly

Ref.	Part No.	Description	Qty
1	B701062	Cord Set	1
2	B701063	Strain Relief	1
3	B910014	Ground Screw	1
4	B260366	Dome	1
5	B521533	Gasket	1
6	B527457	Blower Chamber Assembly	1
7	B911083	Gasket	1
8A	B527297	Motor 115V	1
8B	B701293	Motor 220V	1
9	B910091	Gasket	1
10	B913397	Screen Fan Guard	1
11	B911803	Gasket	1
12	B260361	Can Cap	1
13	B911974	Handle	1
14	B910008	Switch Plate	1
15	B701061	Switch	1
16	B910055	Spacer	4
17	B910004	Wire Assembly	1
18	B700628	Brush Mechanism	2

VACMOBILE ASSEMBLY

Ref.	Part No.	Description	Qty	Ref.	Part No.	Description	Qty
1	B911992	Handle	1	14	B700531	Gasket	1
2	B520915	Handle Clamp	2	15	B980228	Flange Nut	1
3	B520104	Handle Support	2	16	B230293	12 Gal. Poly Tank Assembly	1
5	B701575	Wheel	2	17	B910035	Acorn Nut	5
6	B910073	Hub Cap	2	18	B260562	Inlet Connector	1
7	B980557	Hex Nut	2	19	B520376	Inlet Gasket	1
8	B521101	Frame	1	20	B600664	Scoop	1
9	B703549	Hub Cap	2	21	B521454	Vac Head Clamp	3
10	B910518	Non-Lock, Caster	2	22	B911577	Screw	1
11	B520353	Trim Plug	2	23	B521088	Back Up Plate	2
12	B960941	Dump Valve	1	24	B521086	Handle Bracket	2
13	B700531	Gasket	1	25	B703549	Hub Cap	2

