

PULLMAN-HOLT

REPLACEMENT PARTS LIST

Save for future reference

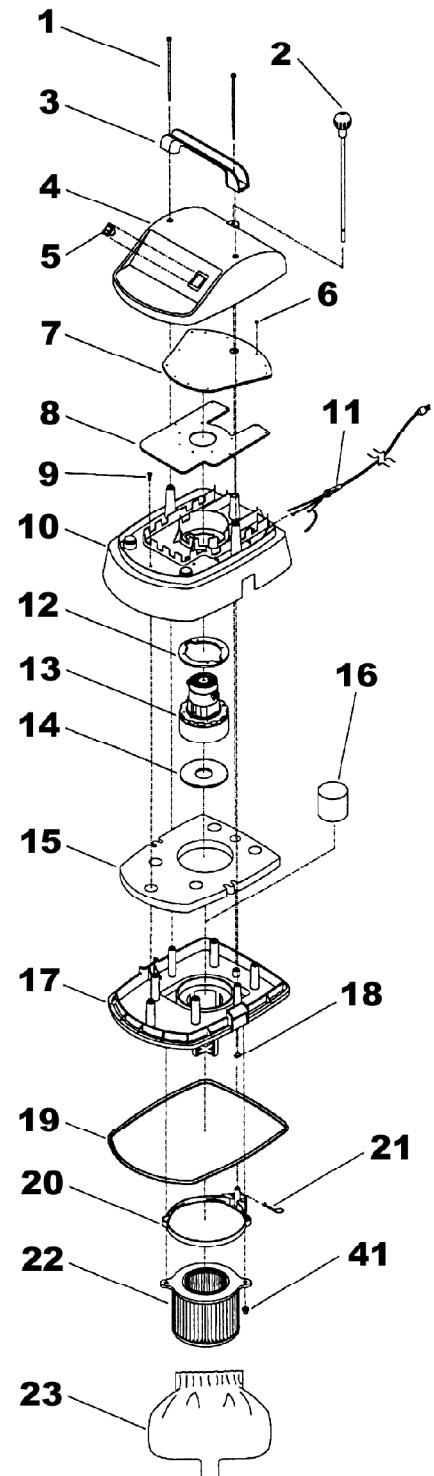
EVAC 15 & 20 Gallon Wet/Dry Vacuum Cleaners

Motorhead Assembly

Ref.	Part No.	Description	Qty
1	B703036	Screw	2
2	B260781	Filter Cleaning Knob Assembly	1
3	B703067	Handle	1
4	B703078	Dome	1
5	PV30004	Switch	1
6	B703061	Push On Gasket Retainer	12
7	B703069	Gasket Upper Motor Cooling	1
8	B703068	Gasket Lower Motor Cooling	1
9	B703051	Screw	5
10	B703077	Blower Chamber	1
11	B703773	Cord Set 120 Volt	1
12	B701100	Gasket Motor Top	1
13A	B527297	Motor 120 Volt	1
13B	B701293	Motor 220 Volt	1
14	B703081	Gasket Motor Top	1
15	B703129	Sound Dampening Pad	1
16	B703054	Float	1
17	B703076	Can Cap	1
18	B703048	Tee Nut	2
19	B703053	Can Cap Gasket	1
20	B703079	Filter Cleaning Ring	1
21	B703050	Hair Pin	1
22	B703372	Cartridge Filter	1
23	B703326	Never-Clog Filter Bag	1
41	B703417	Thumb Screw w/Captive Wa.	2

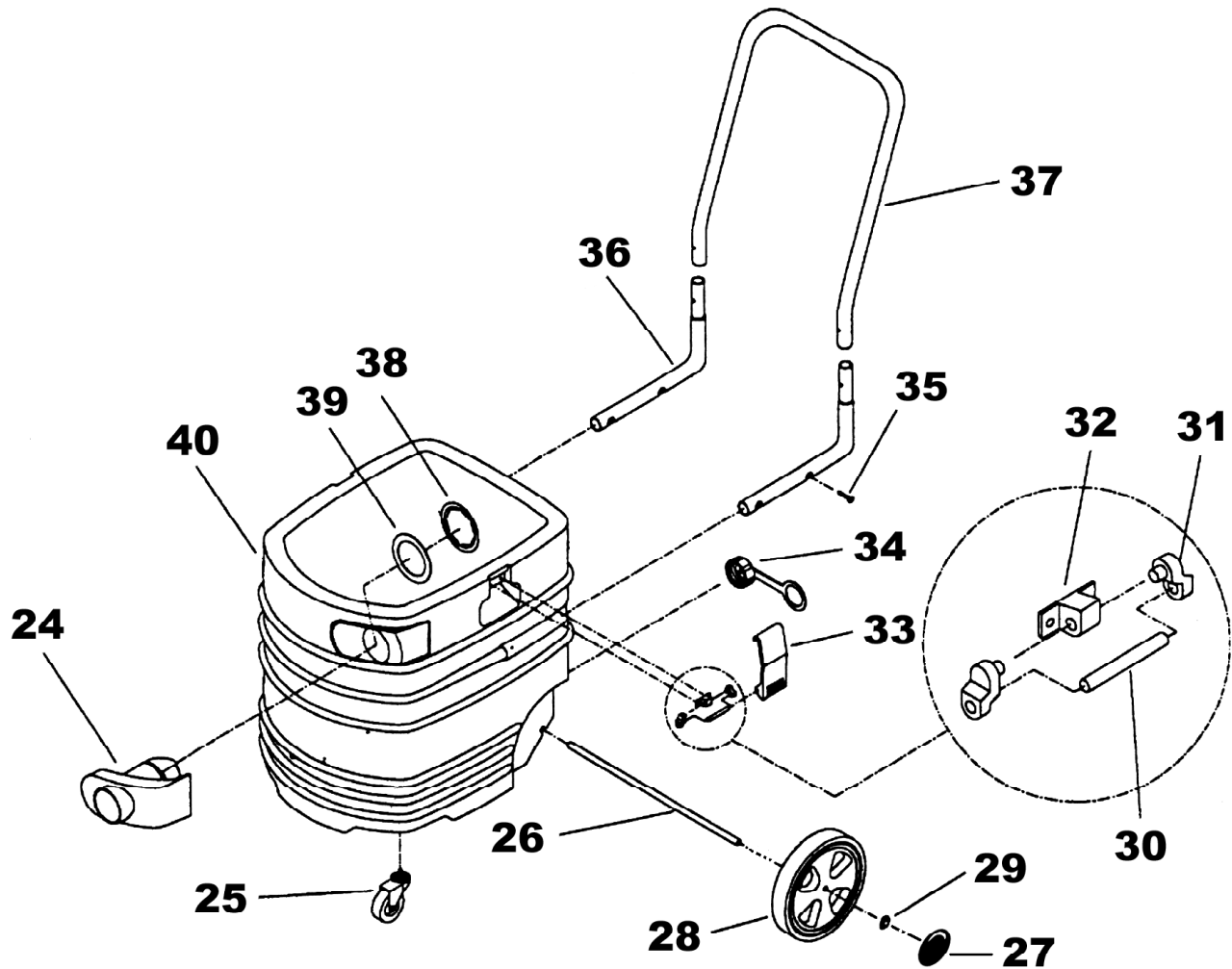
Parts Not Shown

24	B703430	Hose Strap	1
25	B703431	Cord Strap	1



VACMOBILE ASSEMBLY

Ref.	Part No.	Description	Qty	Ref.	Part No.	Description	Qty
24	B703082	Can Inlet	1	33	B703065	Clamp Body	2
25	B703060	Caster	2	34	PV30024	Drain Cap Assembly	1
26	B703055	Axle	1	35	PV30066	Screw	4
27	B703549	Hub Cap	2	36	B703062	Mounting Handle	2
28	B703544	Wheel	2	37	B703063	Handle	1
29	B910073	Hub Cap	2	38	B703356	Retainer Washer	1
30	B703059	Latch Pin	2	39	B703357	Flat Washer	1
31	B703064	Link for Clamp	4	40	B260777	Tank 15 Gallon	1
32	B703066	Tank Mount for Clamp	2	40	B260780	Tank 20 Gallon	1



PULLMAN-HOLT

REPLACEMENT PARTS LIST

Save for future reference

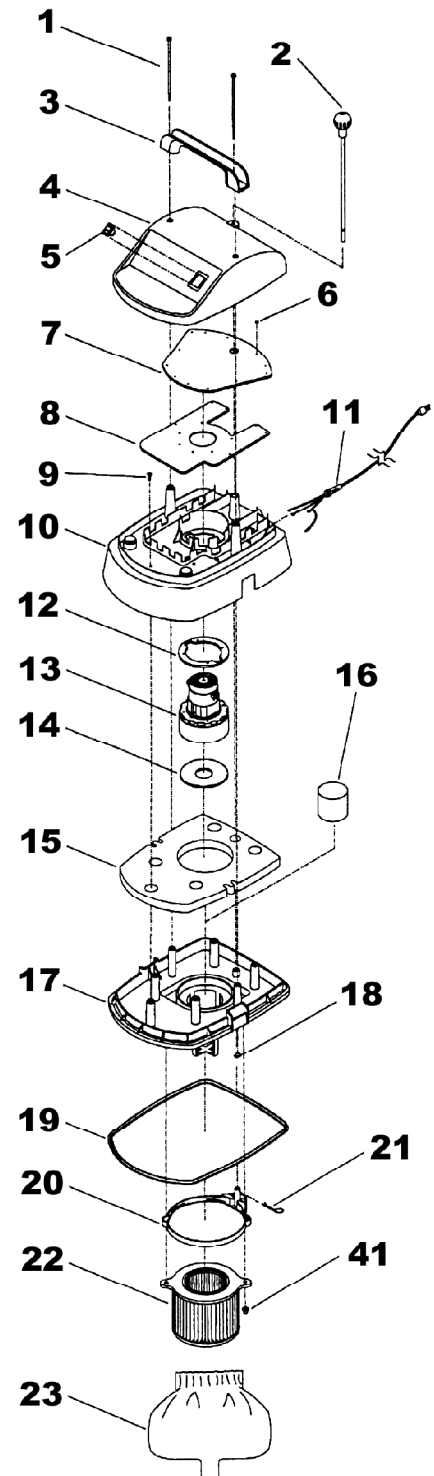
EVAC 15 & 20 Gallon Wet/Dry Vacuum Cleaners

Motorhead Assembly

Ref.	Part No.	Description	Qty
1	B703036	Screw	2
2	B260781	Filter Cleaning Knob Assembly	1
3	B703067	Handle	1
4	B703078	Dome	1
5	PV30004	Switch	1
6	B703061	Push On Gasket Retainer	12
7	B703069	Gasket Upper Motor Cooling	1
8	B703068	Gasket Lower Motor Cooling	1
9	B703051	Screw	5
10	B703077	Blower Chamber	1
11	B703773	Cord Set 120 Volt	1
12	B701100	Gasket Motor Top	1
13A	B527297	Motor 120 Volt	1
13B	B701293	Motor 220 Volt	1
14	B703081	Gasket Motor Top	1
15	B703129	Sound Dampening Pad	1
16	B703054	Float	1
17	B703076	Can Cap	1
18	B703048	Tee Nut	2
19	B703053	Can Cap Gasket	1
20	B703079	Filter Cleaning Ring	1
21	B703050	Hair Pin	1
22	B703372	Cartridge Filter	1
23	B703326	Never-Clog Filter Bag	1
41	B703417	Thumb Screw w/Captive Wa.	2

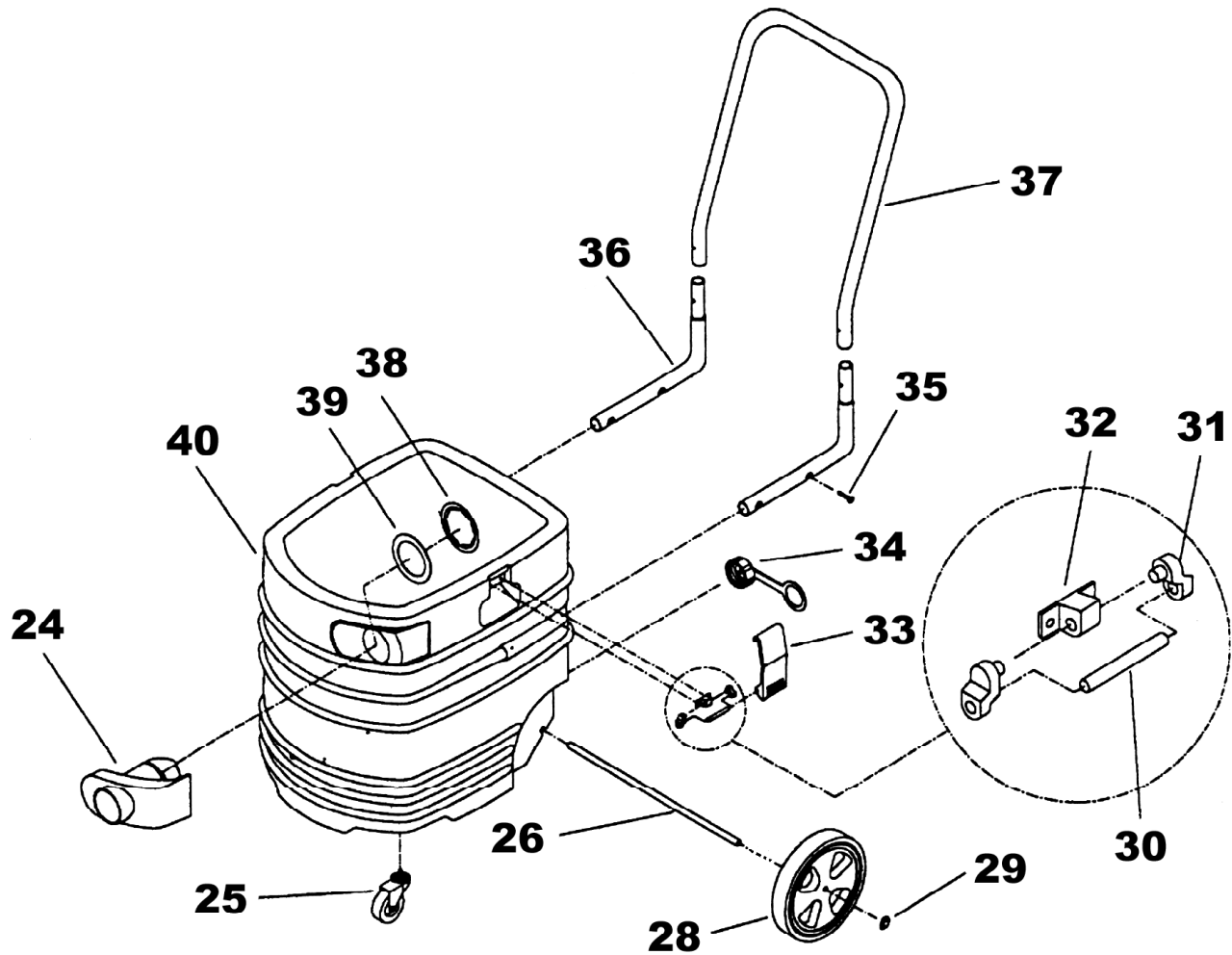
Parts Not Shown

24	B703430	Hose Strap	1
25	B703431	Cord Strap	1



VACMOBILE ASSEMBLY

Ref.	Part No.	Description	Qty	Ref.	Part No.	Description	Qty
24	B703082	Can Inlet	1	34	PV30024	Drain Cap Assembly	1
25	B703060	Caster	2	35	PV30066	Screw	4
26	B703055	Axle	1	36	B703062	Mounting Handle	2
28	B703544	Wheel	2	37	B703063	Handle	1
29	B910073	Hub Cap	2	38	B703356	Retainer Washer	1
30	B703059	Latch Pin	2	39	B703357	Flat Washer	1
31	B703064	Link for Clamp	4	40	B260777	Tank 15 Gallon	1
32	B703066	Tank Mount for Clamp	2	40	B260780	Tank 20 Gallon	1
33	B703065	Clamp Body	2				

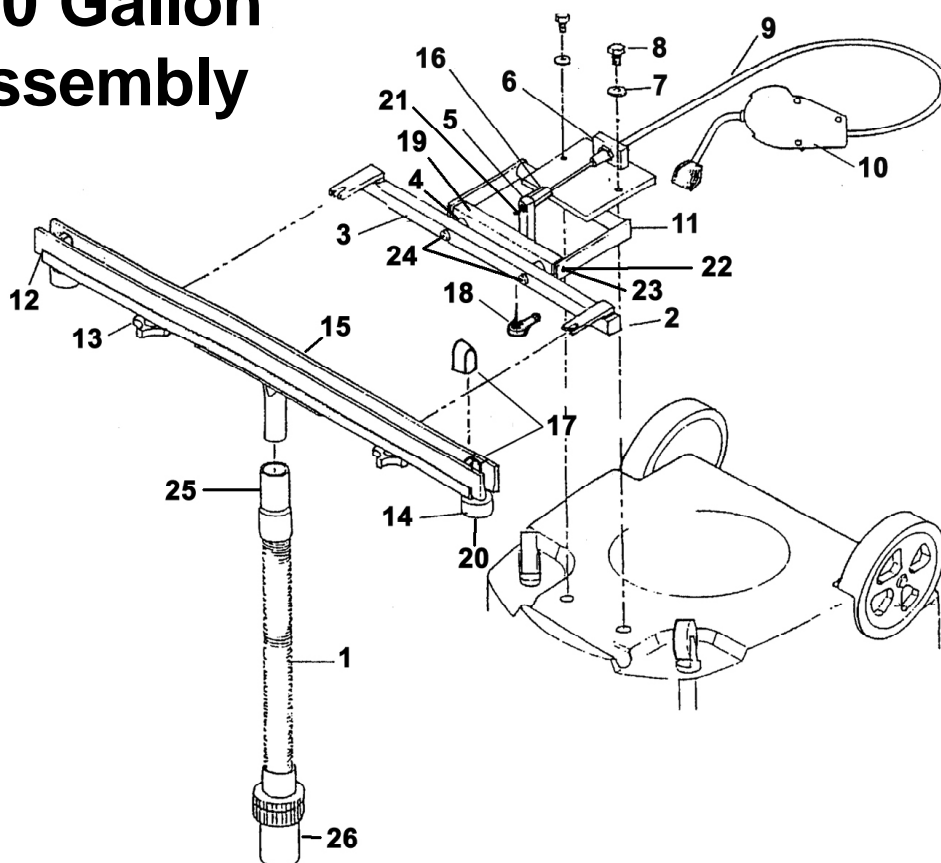


PULLMAN-HOLT

REPLACEMENT PARTS LIST

Save for future reference

EVAC 15 & 20 Gallon Squeegee Assembly



Ref.	Part No.	Description	Qty	Ref.	Part No.	Description	Qty
1	B703367	Hose and Cuff	1	14	B911020	Wheel	2
2	B520353	End Cap	2	15	B701543	Blade Set	1
3	B260733	Arm Assy	1	16	B600736	Cable End	1
4	B260735	Spacer	2	17	B600740	Skid-Squeegee End	2
5	B260743	Link	1	18	B703342	Spherical Rod End	1
6	B260736	Cable Hold Down	1	19	B260737	Swivel Mount	1
7	B703347	Washer	2	20	B701404	Screw	2
8	B703359	Bolt	2	21	B703376	Nut (not incl. w/swivel mount)	2
9	B703339	Cable Assy	1	22	B703349	Bolt	2
10	B703338	Lift Control	1	23	B703345	Washer (inside swivel mount)	2
11	B260741	Bracket	1	24	B703350	Bolt	2
12	B260742	Squeegee Head Assy Comp.	1	25	B911013	Hose End	1
13	B526586	Knob	2	26	PV10008	Swivel Cuff	1