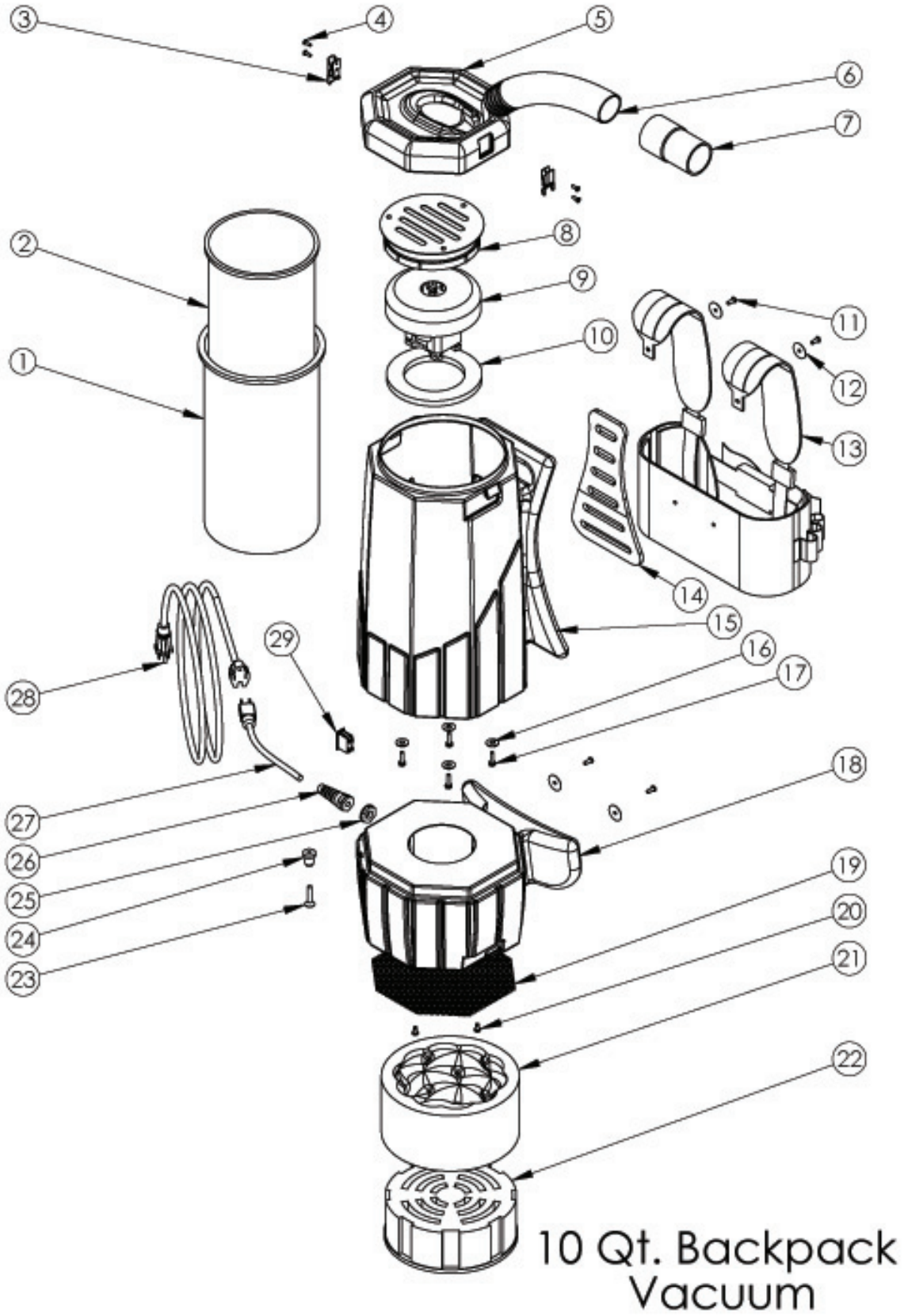


Your Ultimate Choice in
Profitable Cleaning Performance!

Sandia 10-Quart Raven Backpack Schematic Drawing



**Your Ultimate Choice in
Profitable Cleaning Performance!**

Item No.	Item Description	Quantity	# on Schematic
10-0007-10	10qt. Cloth Bag for Backpack	1	1
10-0006	10qt. Paper Bags/ 10 pack	0.1	2
10-0003	Lid Latch	2	3
10-0004	Lid Rivet	4	4
BP-10-L-GRYGRAN	10qt. Backpack Lid Gray Granite	1	5
10-0024	1 1/2" Black Vacuum Hose	4	6
10-0195	Swivel Cuff	1	7
10-0008-B	Dome Filter w/ Bag Support	1	8
10-0013	Super Motor	1	9
10-0199	Vacuum Motor Gasket	1	10
10-0022	Shoulder & Waist Belt Screw	4	11
10-0023	Shoulder & Waist Belt Washer	4	12
10-0021	Shoulder & Waist Belt	1	13
10-0020	Cushioned Back Pad	1	14
BP-10-T-GRYGRAN	10qt. Backpack Tank Gray Granite	1	15
10-0015	1/4" Flat Washer	4	16
10-0014	Motor Screw	4	17
BP-10-B-BLKGRAN	10qt. Backpack Bottom Blk Granite	1	18
10-0016-10	10 qt. Deflector Plate	1	19
10-0017	Deflector Screw	3	20
10-0018	Sound Dampening Band	1	21
10-0019	10qt. Dual Cell Noise Filter	1	22
10-0070	Screw for Well Nut	1	23
10-0069	Well Nut for Cord Lock	1	24
10-0027-A	Strain Relief Nut	1	25
10-0027	Pigtail Strain Relief	1	26
10-0026	17" Power Cord	1	27
10-0028	50' Electrical Cord	1	28
10-0025	On/Off Switch	1	29
10-0204-B	Washer for Rivet 10-0205	6	Not Pictured
10-0205	Body Rivet for Backpack	6	Not Pictured

**Your Ultimate Choice in
Profitable Cleaning Performance!**

Item No.	Item Description	Quantity	# on Schematic
10-0007-10	10qt. Cloth Bag for Backpack	1	1
10-0006	10qt. Paper Bags/ 10 pack	0.1	2
10-0003	Lid Latch	2	3
10-0004	Lid Rivet	4	4
BP-10-L-GRYGRAN	10qt. Backpack Lid Gray Granite	1	5
10-0024	1 1/2" Black Vacuum Hose	4	6
10-0195	Swivel Cuff	1	7
10-0008-B	Dome Filter w/ Bag Support	1	8
10-0013	Super Motor	1	9
10-0199	Vacuum Motor Gasket	1	10
10-0022	Shoulder & Waist Belt Screw	4	11
10-0023	Shoulder & Waist Belt Washer	4	12
10-0021	Shoulder & Waist Belt	1	13
10-0020	Cushioned Back Pad	1	14
BP-10-T-GRYGRAN	10qt. Backpack Tank Gray Granite	1	15
10-0015	1/4" Flat Washer	4	16
10-0014	Motor Screw	4	17
BP-10-B-BLKGRAN	10qt. Backpack Bottom Blk Granite	1	18
10-0016-10	10 qt. Deflector Plate	1	19
10-0017	Deflector Screw	3	20
10-0018	Sound Dampening Band	1	21
10-0019	10qt. Dual Cell Noise Filter	1	22
10-0070	Screw for Well Nut	1	23
10-0069	Well Nut for Cord Lock	1	24
10-0027-A	Strain Relief Nut	1	25
10-0027	Pigtail Strain Relief	1	26
10-0026	17" Power Cord	1	27
10-0028	50' Electrical Cord	1	28
10-0025	On/Off Switch	1	29
10-0031	5" Upholstery Tool	1	Not Pictured
10-0032	14" Scalloped Floor Tool	1	Not Pictured
10-0033	17" Crevice Tool	1	Not Pictured
10-0037	3" Round Dust Brush	1	Not Pictured
10-0029	2 PC 2 Bend Button Lock Wand	1	Not Pictured
10-0165	Copper Ring	1	Not Pictured
10-0204-B	Washer for Rivet 10-0205	6	Not Pictured
10-0205	Body Rivet for Backpack	6	Not Pictured
10-0223-A	2-Piece Head Attachment	1	Not Pictured

**Your Ultimate Choice in
Profitable Cleaning Performance!**

Item No.	Item Description	Quantity	# on Schematic
10-0007-10	10qt. Cloth Bag for Backpack	1	1
10-0006	10qt. Paper Bags / 10 Pack	0.1	2
10-0003	Lid Latch	2	3
10-0004	Lid Rivet	4	4
BP-10-L-GRYGRAN	10qt. Backpack Lid Gray Granite	1	5
10-0024	1 1/2" Black Vacuum Hose	4	6
10-0195	Swivel Cuff	1	7
10-0008-B	Dome Filter w/ Bag Support	1	8
10-0013	Super Motor	1	9
10-0199	Vacuum Motor Gasket	1	10
10-0022	Shoulder & Waist Belt Screw	4	11
10-0023	Shoulder & Waist Belt Washer	4	12
10-0021	Shoulder & Waist Belt	1	13
10-0020	Cushioned Back Pad	1	14
BP-10-T-GRYGRAN	10qt. Back Pad Tank Gray Granite	1	15
10-0015	1/4" Flat Washer	4	16
10-0014	Motor Screw	4	17
BP-10-B-BLKGRAN	10qt. Backpack Bottom Blk Granite	1	18
10-0016-10	10 qt. Deflector Plate	1	19
10-0017	Deflector Screw	3	20
10-0018	Sound Dampening Band	1	21
10-0019	10qt. Dual Cell Noise Filter	1	22
10-0070	Screw for Well Nut	1	23
10-0069	Well Nut for Cord Lock	1	24
10-0027-A	Strain Relief Nut	1	25
10-0027	Pigtail Strain Relief	1	26
10-0026	17" Power Cord	1	27
10-0028	50' Electrical Cord	1	28
10-0025	On/Off Switch	1	29
10-0204-B	Washer for Rivet 10-0205	6	Not Pictured
10-0205	Body Rivet for Backpack	6	Not Pictured
10-0164	Powerhead Kit	1	Not Pictured
10-0422	Powerhead Connection Kit	1	Not Pictured

**Your Ultimate Choice in
Profitable Cleaning Performance!**

Item No.	Item Description	Quantity	# on Schematic
10-0007-10	10qt. Cloth Bag for Backpack	1	1
10-0006	10qt. Paper Bags/ 10 pack	0.1	2
10-0003	Lid Latch	2	3
10-0004	Lid Rivet	4	4
BP-10-L-GRYGRAN	10qt. Backpack Lid Gray Granite	1	5
10-0024	1 1/2" Black Vacuum Hose	4	6
10-0195	Swivel Cuff	1	7
10-0008-B	Dome Filter w/ Bag Support	1	8
10-0013	Super Motor	1	9
10-0199	Vacuum Motor Gasket	1	10
10-0022	Shoulder & Waist Belt Screw	4	11
10-0023	Shoulder & Waist Belt Washer	4	12
10-0021	Shoulder & Waist Belt	1	13
10-0020	Cushioned Back Pad	1	14
BP-10-T-GRYGRAN	10qt. Backpack Tank Gray Granite	1	15
10-0015	1/4" Flat Washer	4	16
10-0014	Motor Screw	4	17
BP-10-B-BLKGRAN	10qt. Backpack Bottom Blk Granite	1	18
10-0016-10	10 qt. Deflector Plate	1	19
10-0017	Deflector Screw	3	20
10-0018	Sound Dampening Band	1	21
10-0019	10qt. Dual Cell Noise Filter	1	22
10-0070	Screw for Well Nut	1	23
10-0069	Well Nut for Cord Lock	1	24
10-0027-A	Strain Relief Nut	1	25
10-0027	Pigtail Strain Relief	1	26
10-0026	17" Power Cord	1	27
10-0028	50' Electrical Cord	1	28
10-0025	On/Off Switch	1	29
10-0031	5" Upholstery Tool	1	Not Pictured
10-0032	14" Scalloped Floor Tool	1	Not Pictured
10-0033	17" Crevice Tool	1	Not Pictured
10-0037	3" Round Dust Brush	1	Not Pictured
10-0029	2 PC 2 Bend Button Lock Wand	1	Not Pictured
10-0165	Copper Ring	1	Not Pictured
10-0204-B	Washer for Rivet 10-0205	6	Not Pictured
10-0205	Body Rivet for Backpack	6	Not Pictured
10-0223-A	2-Piece Head Attachment	1	Not Pictured
10-0164	Powerhead Kit	1	Not Pictured
10-0422	Powerhead Connection Kit	1	Not Pictured