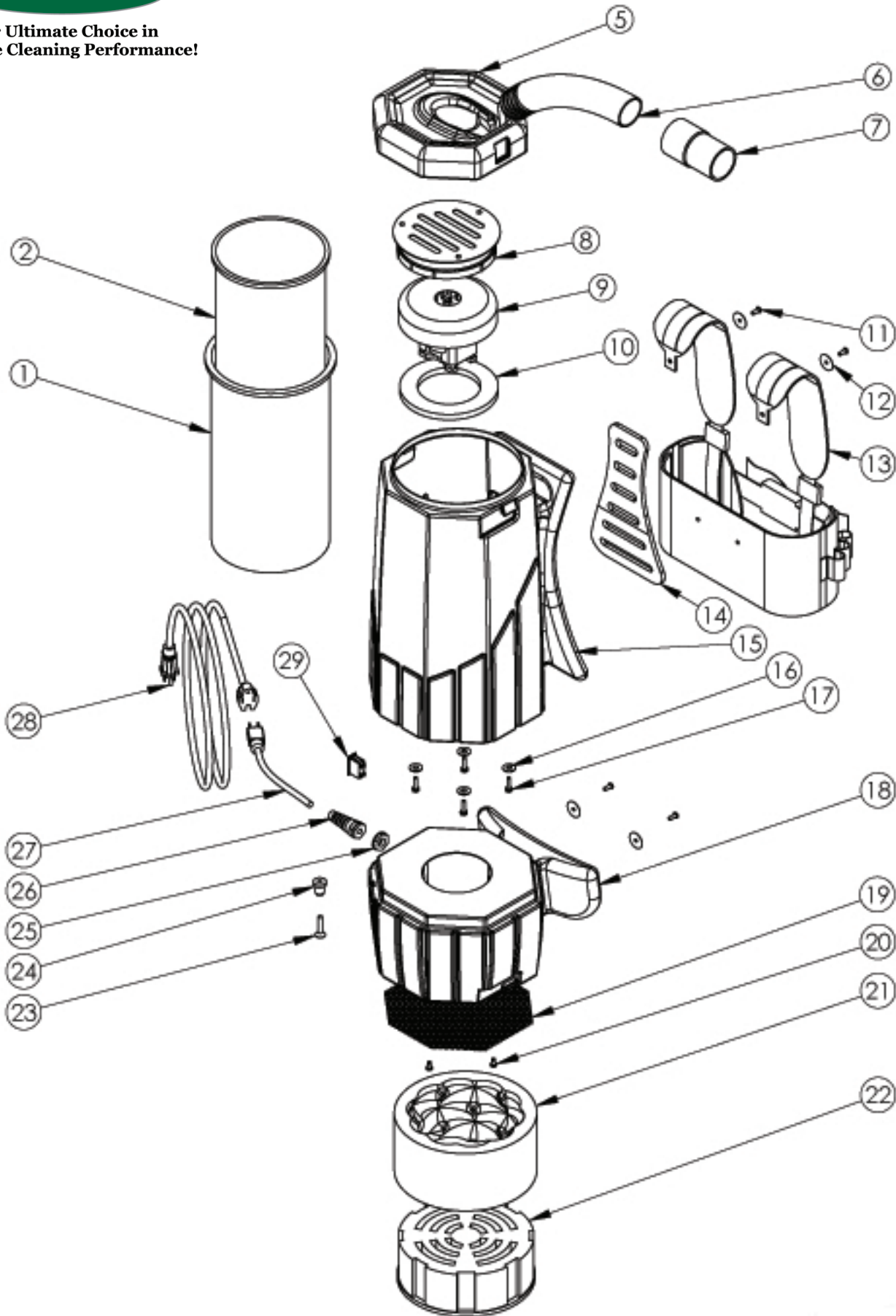


Your Ultimate Choice in Profitable Cleaning Performance!

## Sandia 6-Quart Raven Backpack Schematic Drawing



**Your Ultimate Choice in  
Profitable Cleaning Performance!**

Item No.	Item Description	Quantity	# on Schematic
10-0007-6	6qt. Cloth Bag for 6qt. Raven	1	1
10-0012	Whisper Motor	1	9
10-0014	Motor Screw	4	17
10-0015	1/4" Flat Washer for Motor	4	16
10-0016-6	6qt. Deflector Plate	1	19
10-0017	Deflector Screw	3	20
10-0018	Sound Dampening Band	1	21
10-0019-6	6qt. Dual Cell Noise Filter	1	22
10-0020	Cushioned Back Pad	1	14
10-0021	Shoulder & Waist Belt	1	13
10-0022	Shoulder & Waist Belt Screw	4	11
10-0023	Shoulder & Waist Belt Washer	4	12
10-0024	1 1/2" Black Vacuum Hose	4	6
10-0025	On/Off Switch	1	29
10-0026	17" Power Cord (cord only no connectors)	1	27
10-0027	Pigtail Strain Relief	1	26
10-0027-A	Strain Relief Nut	1	25
10-0028	50' Electrical Cord	1	28
10-0069	Well Nut for Cord Lock	1	24
10-0070	Screw for Well Nut	1	23
10-0155	Hose Cuff Straight	1	Not Pictured
10-0195	Swivel Cuff	1	7
10-0197	6qt. Paper Bags/10 Pack	0.1	2
10-0199	Vacuum Motor Gasket	1	10
10-0204-B	Washer for Rivet 10-0205	4	Not Pictured
10-0205	Body Rivet for Backpack	4	Not Pictured
10-0219-6	Complete HEPA Filter 6qt	1	8
BP-6-B-BLKGRAN	6qt Backpack Bottom Black Gran	1	18
BP-6-L-GRYGRAN	6qt Backpack Lid Gray Gran	1	5
BP-6-T-GRYGRAN	6qt Backpack Tank Gray Gran	1	15

Item No.	Item Description	Quantity	# on Schematic
10-0007-6	6qt. Cloth Bag for 6qt. Raven	1	1
10-0012	Whisper Motor	1	9
10-0014	Motor Screw	4	17
10-0015	1/4" Flat Washer for Motor	4	16
10-0016-6	6qt. Deflector Plate	1	19
10-0017	Deflector Screw	3	20
10-0018	Sound Dampening Band	1	21
10-0019-6	6qt. Dual Cell Noise Filter	1	22
10-0020	Cushioned Back Pad	1	14
10-0021	Shoulder & Waist Belt	1	13
10-0022	Shoulder & Waist Belt Screw	4	11
10-0023	Shoulder & Waist Belt Washer	4	12
10-0024	1 1/2" Black Vacuum Hose	4	6
10-0025	On/Off Switch	1	29
10-0026	17" Power Cord (cord only no connectors)	1	27
10-0027	Pigtail Strain Relief	1	26
10-0027-A	Strain Relief Nut	1	25
10-0028	50' Electrical Cord	1	28
10-0029	2-Piece 2-Bend Button Lock Wand	1	Not Pictured
10-0031	5" Upholstery Tool	1	Not Pictured
10-0032	14" Scalloped Floor Tool	1	Not Pictured
10-0033	17" Crevice Tool	1	Not Pictured
10-0037	3" Round Dust Brush	1	Not Pictured
10-0069	Well Nut for Cord Lock	1	24
10-0070	Screw for Well Nut	1	23
10-0155	Hose Cuff Straight	1	Not Pictured
10-0195	Swivel Cuff	1	7
10-0197	6qt. Paper Bags/10 Pack	0.1	2
10-0199	Vacuum Motor Gasket	1	10
10-0204-B	Washer for Rivet 10-0205	4	Not Pictured
10-0205	Body Rivet for Backpack	4	Not Pictured
10-0219-6	Complete HEPA Filter 6qt	1	8
10-0223-A	2-Piece Head Attachment for Wand	1	Not Pictured
BP-6-B-BLKGRAN	6qt Backpack Bottom Black Gran	1	18
BP-6-L-GRYGRAN	6qt Backpack Lid Gray Gran	1	5
BP-6-T-GRYGRAN	6qt Backpack Tank Gray Gran	1	15



**Your Ultimate Choice in  
Profitable Cleaning Performance!**

## 70-4002 HEPA Raven 6-Quart Backpack with Power Head Accessory Parts List

Item No.	Item Description	Quantity	# on Schematic
10-0007-6	6qt. Cloth Bag for 6qt. Raven	1	1
10-0012	Whisper Motor	1	9
10-0014	Motor Screw	4	17
10-0015	1/4" Flat Washer for Motor	4	16
10-0016-6	6qt. Deflector Plate	1	19
10-0017	Deflector Screw	3	20
10-0018	Sound Dampening Band	1	21
10-0019-6	6qt. Dual Cell Noise Filter	1	22
10-0020	Cushioned Back Pad	1	14
10-0021	Shoulder & Waist Belt	1	13
10-0022	Shoulder & Waist Belt Screw	4	11
10-0023	Shoulder & Waist Belt Washer	4	12
10-0024	1 1/2" Black Vacuum Hose	4	6
10-0025	On/Off Switch	1	29
10-0026	17" Power Cord (cord only no connectors)	1	27
10-0027	Pigtail Strain Relief	1	26
10-0027-A	Strain Relief Nut	1	25
10-0028	50' Electrical Cord	1	28
10-0069	Well Nut for Cord Lock	1	24
10-0070	Screw for Well Nut	1	23
10-0155	Hose Cuff Straight	1	Not Pictured
10-0164	Powerhead Kit	1	Not Pictured
10-0195	Swivel Cuff	1	7
10-0197	6qt. Paper Bags/10 Pack	0.1	2
10-0199	Vacuum Motor Gasket	1	10
10-0204-B	Washer for Rivet 10-0205	4	Not Pictured
10-0205	Body Rivet for Backpack	4	Not Pictured
10-0219-6	Complete HEPA Filter 6qt	1	8
10-0422	Powerhead Connection Kit	1	Not Pictured
BP-6-B-BLKGRAN	6qt Backpack Bottom Black Gran	1	18
BP-6-L-GRYGRAN	6qt Backpack Lid Gray Gran	1	5
BP-6-T-GRYGRAN	6qt Backpack Tank Gray Gran	1	15



**Your Ultimate Choice in  
Profitable Cleaning Performance!**

## 70-4003 HEPA Raven 6-Quart Backpack with Power Head Accessory and Standard Tool Kit Parts List

Item No.	Item Description	Quantity	# on Schematic
10-0007-6	6qt. Cloth Bag for 6qt. Raven	1	1
10-0012	Whisper Motor	1	9
10-0014	Motor Screw	4	17
10-0015	1/4" Flat Washer for Motor	4	16
10-0016-6	6qt. Deflector Plate	1	19
10-0017	Deflector Screw	3	20
10-0018	Sound Dampening Band	1	21
10-0019-6	6qt. Dual Cell Noise Filter	1	22
10-0020	Cushioned Back Pad	1	14
10-0021	Shoulder & Waist Belt	1	13
10-0022	Shoulder & Waist Belt Screw	4	11
10-0023	Shoulder & Waist Belt Washer	4	12
10-0024	1 1/2" Black Vacuum Hose	4	6
10-0025	On/Off Switch	1	29
10-0026	17" Power Cord (cord only no connectors)	1	27
10-0027	Pigtail Strain Relief	1	26
10-0027-A	Strain Relief Nut	1	25
10-0028	50' Electrical Cord	1	28
10-0029	2-Piece 2-Bend Button Lock Wand	1	Not Pictured
10-0031	5" Upholstery Tool	1	Not Pictured
10-0032	14" Scalloped Floor Tool	1	Not Pictured
10-0033	17" Crevice Tool	1	Not Pictured
10-0037	3" Round Dust Brush	1	Not Pictured
10-0069	Well Nut for Cord Lock	1	24
10-0070	Screw for Well Nut	1	23
10-0155	Hose Cuff Straight	1	Not Pictured
10-0164	Powerhead Kit	1	Not Pictured
10-0195	Swivel Cuff	1	7
10-0197	6qt. Paper Bags/10 Pack	0.1	2
10-0199	Vacuum Motor Gasket	1	10
10-0204-B	Washer for Rivet 10-0205	4	Not Pictured
10-0205	Body Rivet for Backpack	4	Not Pictured
10-0219-6	Complete HEPA Filter 6qt	1	8
10-0223-A	2-Piece Head Attachment for Wand	1	Not Pictured
10-0422	Powerhead Connection Kit	1	Not Pictured
BP-6-B-BLKGRAN	6qt Backpack Bottom Black Gran	1	18
BP-6-L-GRYGRAN	6qt Backpack Lid Gray Gran	1	5
BP-6-T-GRYGRAN	6qt Backpack Tank Gray Gran	1	15