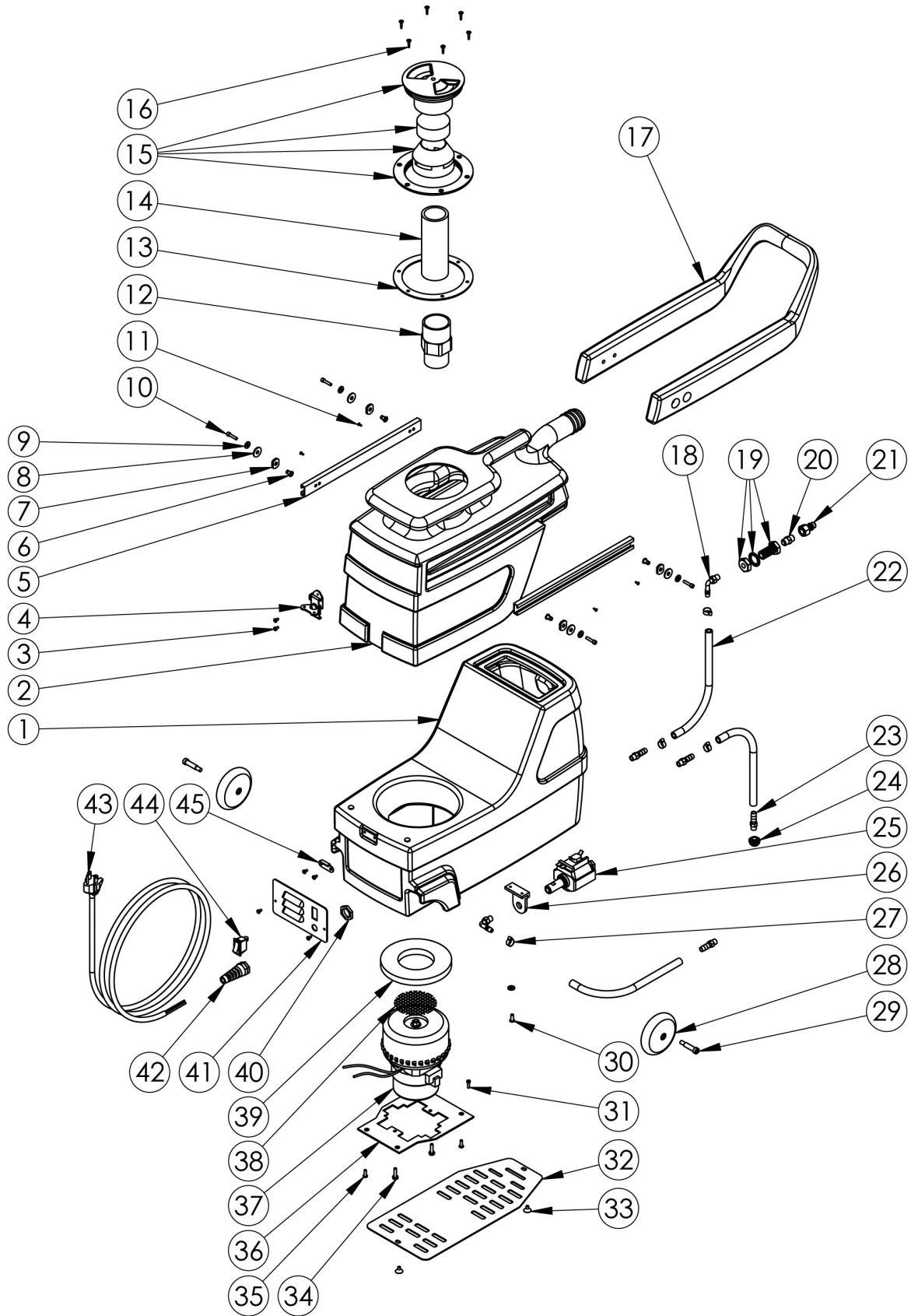


Your Ultimate Choice in Profitable Cleaning Performance!



Item No.	Item Description	Quantity	# on Schematic
SP-3-ST-BLKGRAN	Black Granite 3 Gal. Sol. Tank	1	1
SP-3-RT-GRYGRAN	Grey Granite 3 Gal. Rec. Tank	1	2
10-0383	6-32 x 1/4 Phil Pan Screw	6	3
10-0400-D	Latch for Sniper	1	4
10-0412	C-Channel for Spotter Handle	2	5
10-0414	Rivet for Spotter Handle	4	6
10-0384	.125 Thick Nylon Washer	4	7
10-0385	.06 Thick Nylon Washer	4	8
10-0074	Flat Washer #8 SAE	5	9
10-0216	Allen Head Screw for Backpack	4	10
10-0379	8-32 x 3/8 Screw	4	11
10-0405	1-1/2" PVC SCH40 Slip Thread	1	12
10-0302-A	Hatch Cover Gasket for Spotter	1	13
10-0416-A	1-1/2" Black ABS Stand Pipe	0.6	14
10-0304	Spotter Cap & Float Assembly	1	15
10-0419	Screw for Spotter Hatch	6	16
SP-3-H-BLK	3-Gallon Spotter Black Handle	1	17
10-0406	Nylon Barb 90 1/8" NPT 1/4"	2	18
80-0017	Bulk Head fitting for Sniper	1	19
10-0403	1/8" Brass Female Coupler	1	20
10-0870	1/4" Male QD	1	21
10-0434	Threaded Hose for Spotter	2.2	22
10-0407	1/8" Strait Nylon Barb NPT	3	23
10-0845-2	1/8" Strainer for Spotter	1	24
10-0300	55 psi Pump for Spotter	1	25
10-0301	L Bracket for Spotter	1	26
10-0435	Oetiker Clamp	4	27
10-0303	Roller Blade Wheel for Spotter	2	28
10-0387	5/16 x 1 in. Spotter Wheel Bolt	2	29
10-0022	Shoulder & Waist Belt Screw	1	30
10-0017	Deflector Screw	1	31
10-1028	Bottom Base Plate for Spotter	1	32
10-0492	Screw for Plates on Spotter	2	33
10-0014	Motor Screw	2	34
10-0380	10-32 x 3/8" Screw	2	35
10-1024	Motor Mount Plate for Spotter	1	36
10-0354	3-Gallon Spotter Motor	1	37
10-0386	Stamped Motor Screen	1	38
10-1030	Spotter Motor Gasket	1	39
10-0027-A	Strain Relief Nut	1	40
10-1026	Switch Plate for 3 Gal. w/ Heat	1	41
10-0027	Pigtail Strain Relief	1	42
10-0448	20 ft. Spotter/Air Mover Cord	1	43
10-0025	On/Off Switch	2	44
10-0400-C	Keeper Latch for Sniper	1	45
10-0500-I	4 in. Clear View Upholstery Tool	1	Not Pictured

<b>Item No.</b>	<b>Item Description</b>	<b>Quantity</b>	<b># on Schematic</b>
SP-3-ST-BLKGRAN	Black Granite 3 Gal. Sol. Tank	1	1
SP-3-RT-GRYGRAN	Grey Granite 3 Gal. Rec. Tank	1	2
10-0383	6-32 x 1/4 Phil Pan Screw	6	3
10-0400-D	Latch for Sniper	1	4
10-0412	C-Channel for Spotter Handle	2	5
10-0414	Rivet for Spotter Handle	4	6
10-0384	.125 Thick Nylon Washer	4	7
10-0385	.06 Thick Nylon Washer	4	8
10-0074	Flat Washer #8 SAE	5	9
10-0216	Allen Head Screw for Backpack	4	10
10-0379	8-32 x 3/8 Screw	4	11
10-0405	1-1/2" PVC SCH40 Slip Thread	1	12
10-0302-A	Hatch Cover Gasket for Spotter	1	13
10-0416-A	1-1/2" Black ABS Stand Pipe	0.6	14
10-0304	Spotter Cap & Float Assembly	1	15
10-0419	Screw for Spotter Hatch	6	16
SP-3-H-BLK	3-Gallon Spotter Black Handle	1	17
10-0406	Nylon Barb 90 1/8" NPT 1/4"	2	18
80-0017	Bulk Head fitting for Sniper	1	19
10-0403	1/8" Brass Female Coupler	1	20
10-0870	1/4" Male QD	1	21
10-0434	Threaded Hose for Spotter	2.2	22
10-0407	1/8" Strait Nylon Barb NPT	3	23
10-0845-2	1/8" Strainer for Spotter	1	24
10-0300	55 psi Pump for Spotter	1	25
10-0301	L Bracket for Spotter	1	26
10-0435	Oetiker Clamp	4	27
10-0303	Roller Blade Wheel for Spotter	2	28
10-0387	5/16 x 1 in. Spotter Wheel Bolt	2	29
10-0022	Shoulder & Waist Belt Screw	1	30
10-0017	Deflector Screw	1	31
10-1028	Bottom Base Plate for Spotter	1	32
10-0492	Screw for Plates on Spotter	2	33
10-0014	Motor Screw	2	34
10-0380	10-32 x 3/8" Screw	2	35
10-1024	Motor Mount Plate for Spotter	1	36
10-0354	3-Gallon Spotter Motor	1	37
10-0386	Stamped Motor Screen	1	38
10-1030	Spotter Motor Gasket	1	39
10-0027-A	Strain Relief Nut	1	40
10-1026	Switch Plate for 3 Gal. w/ Heat	1	41
10-0027	Pigtail Strain Relief	1	42
10-0448	20 ft. Spotter/Air Mover Cord	1	43
10-0025	On/Off Switch	2	44
10-0400-C	Keeper Latch for Sniper	1	45
10-0501	4 in. Stainless Steel Upholstery Tool	1	Not Pictured

**Your Ultimate Choice in  
Profitable Cleaning Performance!**

<b>Item No.</b>	<b>Item Description</b>	<b>Quantity</b>	<b># on Schematic</b>
SP-3-ST-BLKGRAN	Black Granite 3 Gal. Sol. Tank	1	1
SP-3-RT-GRYGRAN	Grey Granite 3 Gal. Rec. Tank	1	2
10-0383	6-32 x 1/4 Phil Pan Screw	6	3
10-0400-D	Latch for Sniper	1	4
10-0412	C-Channel for Spotter Handle	2	5
10-0414	Rivet for Spotter Handle	4	6
10-0384	.125 Thick Nylon Washer	4	7
10-0385	.06 Thick Nylon Washer	4	8
10-0074	Flat Washer #8 SAE	5	9
10-0216	Allen Head Screw for Backpack	4	10
10-0379	8-32 x 3/8 Screw	4	11
10-0405	1-1/2" PVC SCH40 Slip Thread	1	12
10-0302-A	Hatch Cover Gasket for Spotter	1	13
10-0416-A	1-1/2" Black ABS Stand Pipe	0.6	14
10-0304	Spotter Cap & Float Assembly	1	15
10-0419	Screw for Spotter Hatch	6	16
SP-3-H-BLK	3-Gallon Spotter Black Handle	1	17
10-0406	Nylon Barb 90 1/8" NPT 1/4"	2	18
80-0017	Bulk Head fitting for Sniper	1	19
10-0403	1/8" Brass Female Coupler	1	20
10-0870	1/4" Male QD	1	21
10-0434	Threaded Hose for Spotter	2.2	22
10-0407	1/8" Strait Nylon Barb NPT	3	23
10-0845-2	1/8" Strainer for Spotter	1	24
10-0300	55 psi Pump for Spotter	1	25
10-0301	L Bracket for Spotter	1	26
10-0435	Oetiker Clamp	4	27
10-0303	Roller Blade Wheel for Spotter	2	28
10-0387	5/16 x 1 in. Spotter Wheel Bolt	2	29
10-0022	Shoulder & Waist Belt Screw	1	30
10-0017	Deflector Screw	1	31
10-1028	Bottom Base Plate for Spotter	1	32
10-0492	Screw for Plates on Spotter	2	33
10-0014	Motor Screw	2	34
10-0380	10-32 x 3/8" Screw	2	35
10-1024	Motor Mount Plate for Spotter	1	36
10-0354	3-Gallon Spotter Motor	1	37
10-0386	Stamped Motor Screen	1	38
10-1030	Spotter Motor Gasket	1	39
10-0027-A	Strain Relief Nut	1	40
10-1026	Switch Plate for 3 Gal. w/ Heat	1	41
10-0027	Pigtail Strain Relief	1	42
10-0448	20 ft. Spotter/Air Mover Cord	1	43
10-0025	On/Off Switch	2	44
10-0400-C	Keeper Latch for Sniper	1	45

**Your Ultimate Choice in  
Profitable Cleaning Performance!**

Item No.	Item Description	Quantity	# on Schematic
SP-3-ST-BLKGRAN	Black Granite 3 Gal. Sol. Tank	1	1
SP-3-RT-GRYGRAN	Grey Granite 3 Gal. Rec. Tank	1	2
10-0383	6-32 x 1/4 Phil Pan Screw	6	3
10-0400-D	Latch for Sniper	1	4
10-0412	C-Channel for Spotter Handle	2	5
10-0414	Rivet for Spotter Handle	4	6
10-0384	.125 Thick Nylon Washer	4	7
10-0385	.06 Thick Nylon Washer	4	8
10-0074	Flat Washer #8 SAE	5	9
10-0216	Allen Head Screw for Backpack	4	10
10-0379	8-32 x 3/8 Screw	4	11
10-0405	1-1/2" PVC SCH40 Slip Thread	1	12
10-0302-A	Hatch Cover Gasket for Spotter	1	13
10-0416-A	1-1/2" Black ABS Stand Pipe	0.6	14
10-0304	Spotter Cap & Float Assembly	1	15
10-0419	Screw for Spotter Hatch	6	16
SP-3-H-BLK	3-Gallon Spotter Black Handle	1	17
10-0406	Nylon Barb 90 1/8" NPT 1/4"	2	18
80-0017	Bulk Head fitting for Sniper	1	19
10-0403	1/8" Brass Female Coupler	1	20
10-0870	1/4" Male QD	1	21
10-0434	Threaded Hose for Spotter	2.2	22
10-0407	1/8" Strait Nylon Barb NPT	3	23
10-0845-2	1/8" Strainer for Spotter	1	24
10-0300	55 psi Pump for Spotter	1	25
10-0301	L Bracket for Spotter	1	26
10-0435	Oetiker Clamp	4	27
10-0303	Roller Blade Wheel for Spotter	2	28
10-0387	5/16 x 1 in. Spotter Wheel Bolt	2	29
10-0022	Shoulder & Waist Belt Screw	1	30
10-0017	Deflector Screw	1	31
10-1028	Bottom Base Plate for Spotter	1	32
10-0492	Screw for Plates on Spotter	2	33
10-0014	Motor Screw	2	34
10-0380	10-32 x 3/8" Screw	2	35
10-1024	Motor Mount Plate for Spotter	1	36
10-0354	3-Gallon Spotter Motor	1	37
10-0386	Stamped Motor Screen	1	38
10-1030	Spotter Motor Gasket	1	39
10-0027-A	Strain Relief Nut	1	40
10-1026	Switch Plate for 3 Gal. w/ Heat	1	41
10-0027	Pigtail Strain Relief	1	42
10-0448	20 ft. Spotter/Air Mover Cord	1	43
10-0025	On/Off Switch	2	44
10-0400-C	Keeper Latch for Sniper	1	45
10-0500-I	4 in. Clear View Upholstery Tool	1	Not Pictured

**Your Ultimate Choice in  
Profitable Cleaning Performance!**

Item No.	Item Description	Quantity	# on Schematic
SP-3-ST-BLKGRAN	Black Granite 3 Gal. Sol. Tank	1	1
SP-3-RT-GRYGRAN	Grey Granite 3 Gal. Rec. Tank	1	2
10-0383	6-32 x 1/4 Phil Pan Screw	6	3
10-0400-D	Latch for Sniper	1	4
10-0412	C-Channel for Spotter Handle	2	5
10-0414	Rivet for Spotter Handle	4	6
10-0384	.125 Thick Nylon Washer	4	7
10-0385	.06 Thick Nylon Washer	4	8
10-0074	Flat Washer #8 SAE	5	9
10-0216	Allen Head Screw for Backpack	4	10
10-0379	8-32 x 3/8 Screw	4	11
10-0405	1-1/2" PVC SCH40 Slip Thread	1	12
10-0302-A	Hatch Cover Gasket for Spotter	1	13
10-0416-A	1-1/2" Black ABS Stand Pipe	0.6	14
10-0304	Spotter Cap & Float Assembly	1	15
10-0419	Screw for Spotter Hatch	6	16
SP-3-H-BLK	3-Gallon Spotter Black Handle	1	17
10-0406	Nylon Barb 90 1/8" NPT 1/4"	2	18
80-0017	Bulk Head fitting for Sniper	1	19
10-0403	1/8" Brass Female Coupler	1	20
10-0870	1/4" Male QD	1	21
10-0434	Threaded Hose for Spotter	2.2	22
10-0407	1/8" Strait Nylon Barb NPT	3	23
10-0845-2	1/8" Strainer for Spotter	1	24
10-0300	55 psi Pump for Spotter	1	25
10-0301	L Bracket for Spotter	1	26
10-0435	Oetiker Clamp	4	27
10-0303	Roller Blade Wheel for Spotter	2	28
10-0387	5/16 x 1 in. Spotter Wheel Bolt	2	29
10-0022	Shoulder & Waist Belt Screw	1	30
10-0017	Deflector Screw	1	31
10-1028	Bottom Base Plate for Spotter	1	32
10-0492	Screw for Plates on Spotter	2	33
10-0014	Motor Screw	2	34
10-0380	10-32 x 3/8" Screw	2	35
10-1024	Motor Mount Plate for Spotter	1	36
10-0354	3-Gallon Spotter Motor	1	37
10-0386	Stamped Motor Screen	1	38
10-1030	Spotter Motor Gasket	1	39
10-0027-A	Strain Relief Nut	1	40
10-1026	Switch Plate for 3 Gal. w/ Heat	1	41
10-0027	Pigtail Strain Relief	1	42
10-0448	20 ft. Spotter/Air Mover Cord	1	43
10-0025	On/Off Switch	2	44
10-0400-C	Keeper Latch for Sniper	1	45
10-0501	4 in. Stainless Steel Upholstery Tool	1	Not Pictured