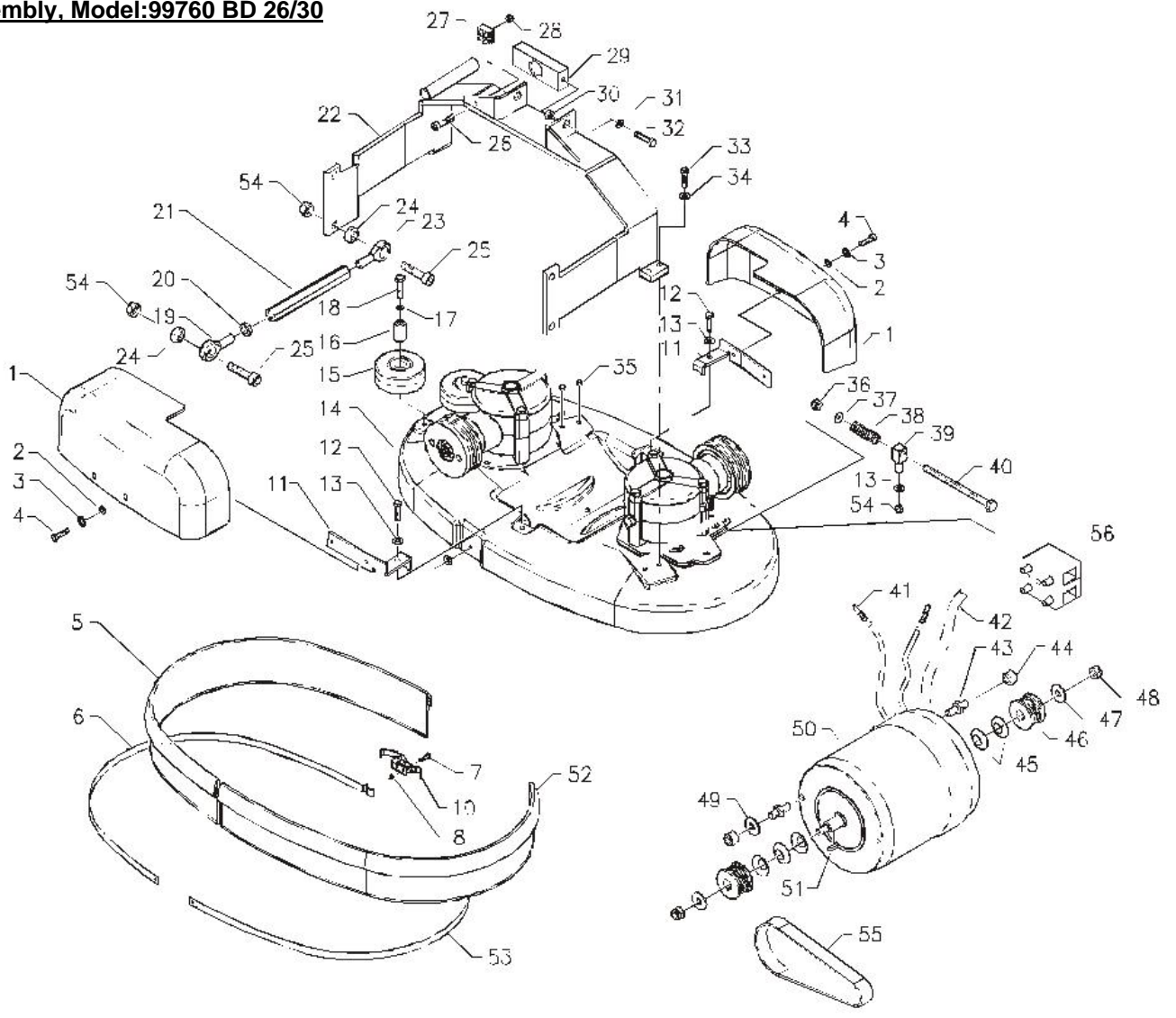


Brush Base Assembly

Model :99760 BD 26/30

	Number	Description	Qty Req.
1	20302120	BELT COVER	2
2	60305005	WASHER	4
3	60505001	WASHER, LOCK	4
4	60110502	SCREW	4
5	48603010	SPLASH GUARD RIGHT	1
6	20602020	BLADE SPLASH GUARD WITH RING	1
7	60110403	SCREW S.S.	2
8	60220401	NUT, LOCK	2
10	62200004	CLOSING LEVER, ADJUSTABLE S.S.	2
11	20302090	COVER SUPPORT	2
12	60110807	SCREW	2
13	60512004	WASHER, LOCK	3
14	48503010	BRUSH BASE	1
15	46541010	WHEEL, BUMPER GREY	2
16	47101040	BUSHING	2
17	60308009	WASHER	2
18	60110823	SCREW	2
19	61451202	ARTICULATION HEAD	4
20	60211201	NUT	4
21	20603040	ARM, BRUSH BASE CONTROL	4
22	20603010	SUPPORT, ARM BRUSH BASE	1
23	61451201	ARTICULATION HEAD	4
24	47006010	SPACER	8
25	60131209	SCREW	8
26	60130608	SCREW	1
27	49400020	BOARD, TERMINAL	1
28	60220601	NUT, LOCK	1
29	20603050	JOINT, BRUSH BASE CONTROL	1
30	47103080	BUSHING	2
31	60508005	WASHER	2
32	60110807	SCREW	2
33	60110809	SCREW	4
34	60508001	WASHER, LOCK	4
35	62030002	CAP	2
36	60221003	NUT, LOCK	1
37	60310002	WASHER	1
38	47210140	SPRING, COMPRESSION	1
39	20302160	BOLT, STUD	1
40	60111035	SCREW	1
41	62511003	TERMINAL	2
42	47807080	SHEATH	1
43	20302080	PIN, MOTOR	2
44	47103030	BUSHING	2
45	47251801	WASHER, CUPPED	5
46	46920090	PULLEY, MOTOR	2
47	60311001	WASHER	2
48	60221002	NUT, LOCK	2
49	60312001	WASHER	2
50	46230010	MOTOR	1
51	60905051	KEY	2
52	48603020	SPLASH GUARD LEFT	1
53	20602010	BLADE SPLASH GUARD WITH RING	1
54	60221201	NUT, LOCK	9
55	61610005	BELT	2
56	49400010	BOARD, TERMINAL	1

Brush Base Assembly, Model:99760 BD 26/30

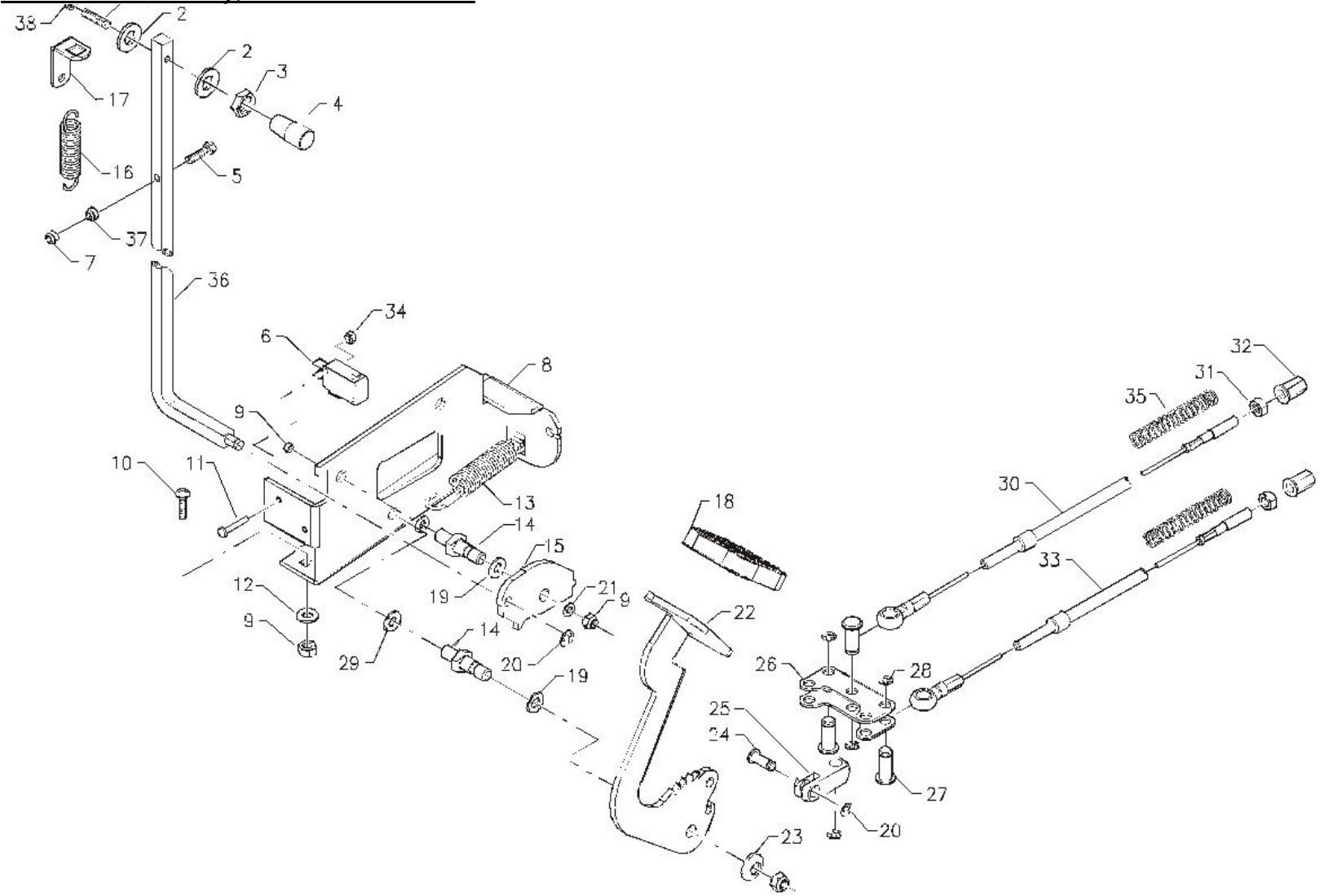


Brake Pedal Assembly

Model :99760 BD 26/30

	Number	Description	Qty Req.
1	60160603	DOWEL	1
2	20102210	WASHER	2
3	60210601	NUT S.S.	1
4	61810004	KNOB	1
5	60110406	SCREW S.S.	1
6	63409001	MICROSWITCH	1
7	60220401	NUT, LOCK	1
8	20608030	SUPPORT, BRAKE PEDAL	1
9	60220801	NUT, LOCK	3
10	60100802	SCREW	1
11	60140306	SCREW	1
12	60309002	WASHER	1
13	47220130	SPRING, TRACTION	1
14	20608040	PIN, BRAKE PEDAL	2
15	20608020	LEVER, BLOCKING	1
16	47220040	SPRING, TRACTION	1
17	20608110	COUPLER, SPRING	1
18	20103040	COVER, PEDAL	1
19	60508004	WASHER, CONICAL	2
20	62120603	SPRING FOR PIN	2
21	47250802	WASHER, CUPPED	1
22	20608010	PEDAL, BRAKE	1
23	47250802	WASHER, CUPPED	1
24	62120602	PIN	1
25	20608060	FORK, BRAKE	1
26	20608070	ROCKER ARM, BRAKE	1
27	62120801	PIN	3
28	62120802	SPRING FOR PIN	3
29	60308004	WASHER	1
30	62401006	CABLE, BRAKE RIGHT	1
31	60210601	NUT S.S.	2
32	62406016	INSERT	2
33	62401002	CABLE, BRAKE LEFT	1
34	60220301	NUT, LOCK	1
35	47210230	SPRING, COMPRESSION	2
36	20608080	ROD, PARKING BRAKE	1
37	60210402	NUT	1
38	60220601	NUT, LOCK	1

Brake Pedal Assembly, Model:99760 BD 26/30

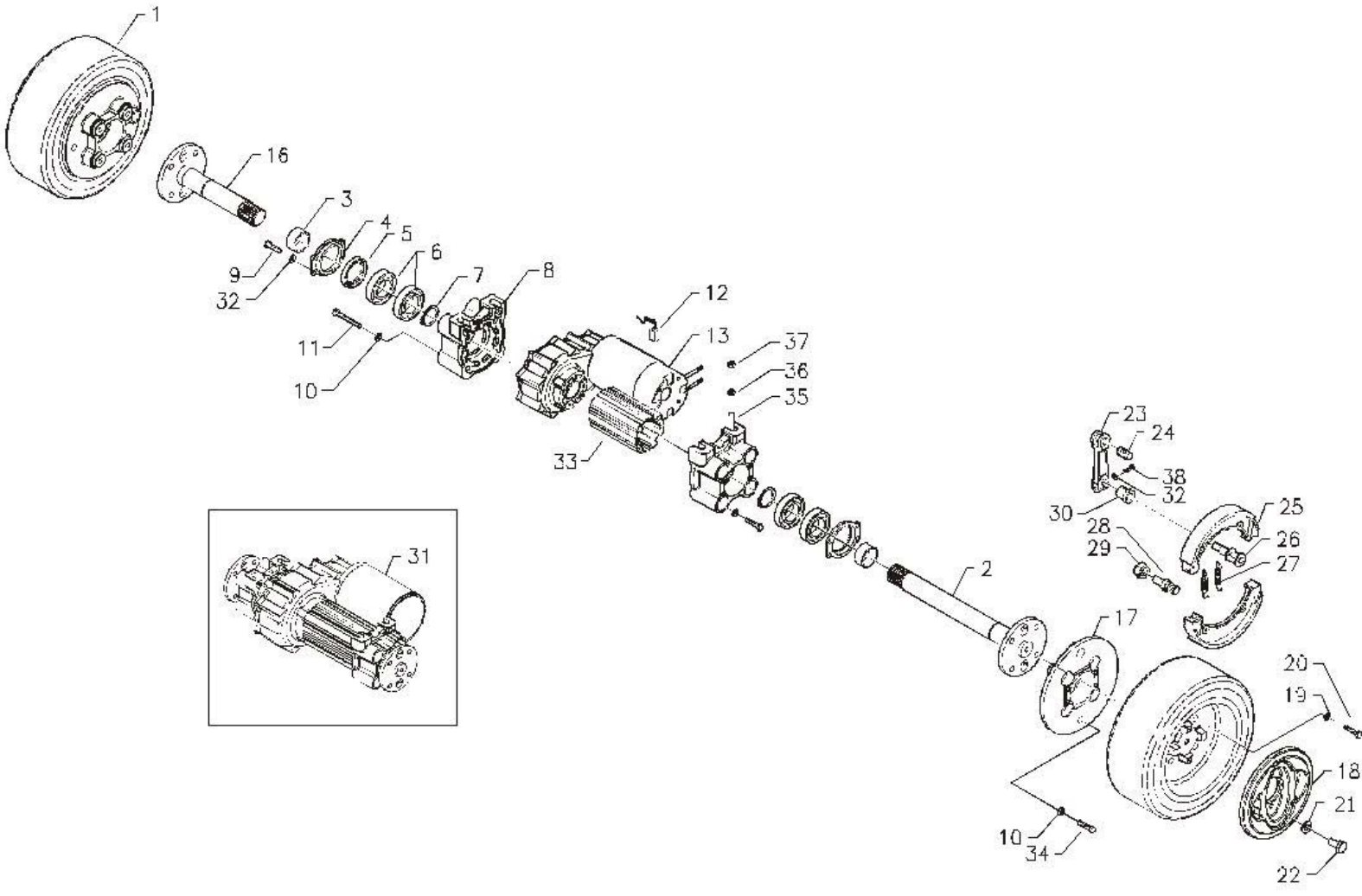


Brake Wheels Geared Motor Assembly

Model :99760 BD 26/30

	Number	Description	Qty Req.
1	46524010	WHEEL WITH HUB	2
2	46706020	LONG AXLE SHAFT, RIGHT	1
3	47103120	BUSHING	2
4	20307020	COVER, SUPPORT	2
5	61235501	OIL SEAL	2
6	61413001	BEARING	4
7	61123001	RING, SEEGER	2
8	20607030	SUPPORT, AXLE SHAFT	2
9	60130601	SCREW	2
10	60508004	WASHER, CONICAL	6
11	60110836	SCREW	2
12	63610181	CARBON BRUSH, MOTOR	4
13	46200200	MOTOR, GEARED STANDARD	1
16	46706010	SHORT AXLE SHAFT, LEFT	1
17	20607010	SUPPORT, BRAKE	2
18	20307040	COVER, WHEEL	2
19	60510006	WASHER, LOCK	8
20	60111003	SCREW	8
21	60306003	WASHER	2
22	60100690	SCREW	2
23	62403003	LEVER, STRAIGHT BRAKE	2
24	20608090	PIN, DRILLED	2
25	62403001	BLOCK, BRAKE	4
26	62403002	PIN, DIVARICATION	2
27	62403004	SPRING WITH HOOKS	4
28	20608050	BOLT, STUD	2
29	60221003	NUT, LOCK	2
30	47106040	BUSHING	2
31	V6206010	GEARED MOTOR ASSEMBLY, STANDARD	1
32	60506004	WASHER, LOCK	2
33	20607020	EXTRUDER	1
34	60110850	SCREW	4
35	20607040	BOLT, STUD	4
36	60310002	WASHER	4
37	60221002	NUT, LOCK	4
38	60110617	SCREW	2

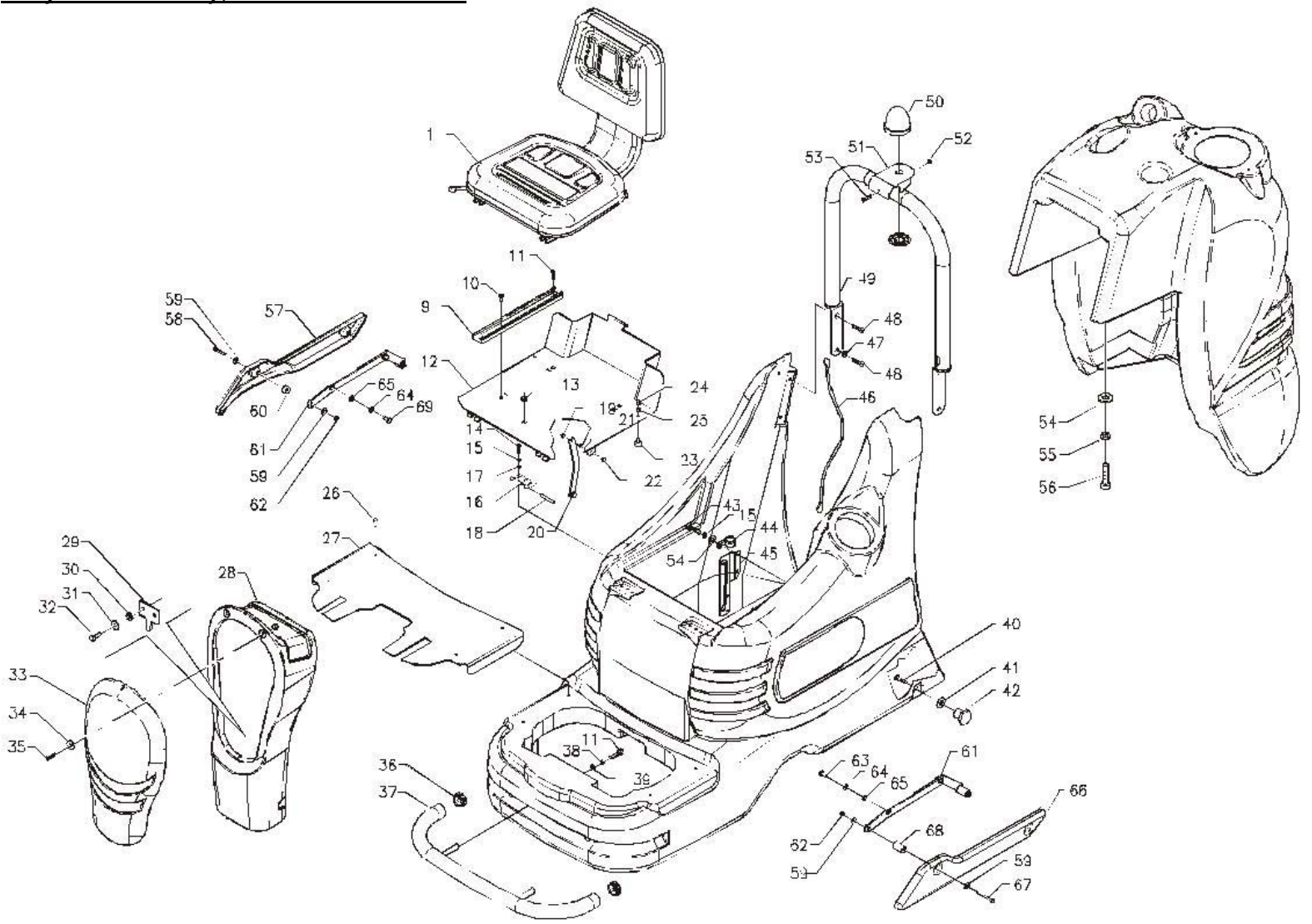
Brake Wheels Gearing Motor Assembly, Model:99760 BD 26/30



Bodywork Assembly

Model :99760 BD 26/30

	Number	Description	Qty Req.
1	62408002	SEAT WITH GUIDES AND MICROSWITCH	1
9		SEAT GUIDE	1
10	60130801	SCREW	1
11	60110807	SCREW	2
12	20611140	BASE, SEAT	1
13	63713001	FAIRLEAD	1
14	60110608	SCREW	1
15	60506004	WASHER, LOCK	2
16	62409001	HINGE S.S.	2
17	60306007	WASHER	1
18		SPRING PIN	2
19	60220601	NUT, LOCK	1
20	20611060	PROP SEAT, BASE	1
21	60210601	NUT S.S.	1
22	60110612	SCREW	1
23	62405001	CAP, VIBRATION-DAMPING	2
24	60230601	NUT, CAP	1
25	60210608	NUT	1
26	60180603	SCREW S.S.	4
27	20611040	PLATE, BOTTOM	1
28	20611010	COVERING, FRONT	1
29	20611030	SUPPORT, FRONT COVER	1
30	60506002	WASHER, LOCK	1
31	60306007	WASHER	1
32	60110612	SCREW	1
33	20611020	COVER, FRONT	1
34	60306003	WASHER	1
35	60130606	SCREW	1
36	62010002	CAP	2
37	20611080	BUMPER	1
38	60309002	WASHER	1
39	60508005	WASHER	1
40	60100808	SCREW	2
41	47103130	BUSHING	2
42	47103130	BUSHING	2
43	60110608	SCREW	1
44	61940001	CLIP FOR PIPE	1
45	20611100	GUIDE, PROP SEAT	1
46	20610070	CABLE, TANK RECOVERY	1
47	47106050	BUSHING	1
48	60180802	SCREW	2
49	20611070	ROLLBAR	1
50	63709005	LIGHT, WINKING	1
51	20611090	SUPPORT, WINKING LIGHT	1
52	60220601	NUT, LOCK	1
53	60110623	SCREW	1
54	60306007	WASHER	2
55	60506004	WASHER, LOCK	1
56	60110608	SCREW	1
57	20611170	COVER, RIGHT SIDE	1
58	60110619	SCREW	1
59	60306008	SCREW S.S.	4
60	47006030	SPACER	1
61	20611150	SUPPORT, COVER	2
62	60220602	NUT, LOCK S.S.	2
63	60110803	SCREW	1
64	60508001	WASHER, LOCK	2
65	60308004	WASHER	2
66	20611180	COVER, LEFT SIDE	1
67	60110624	SCREW	1
68	47006040	SPACER	1
69	60110801	SCREW	1

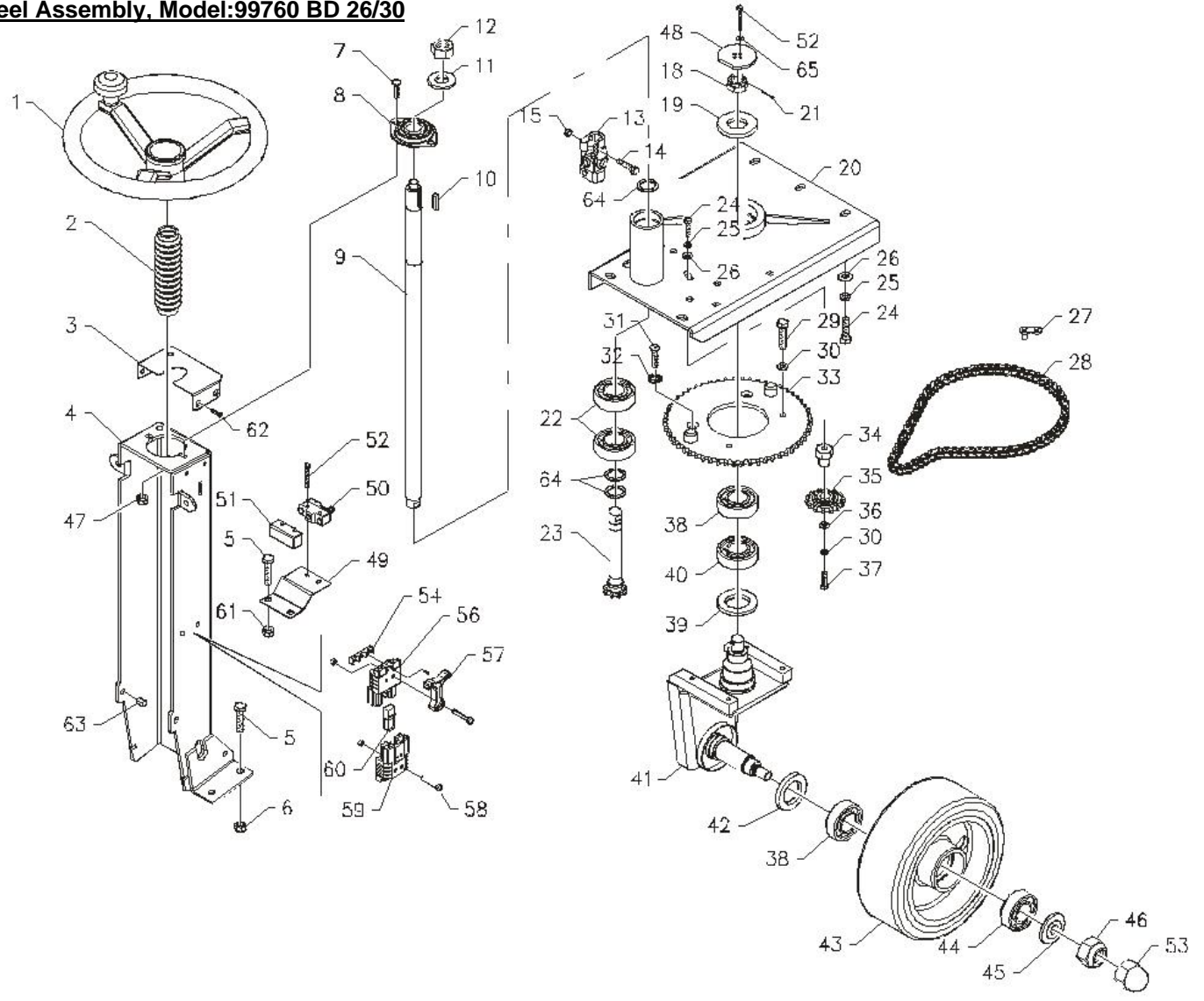


Steering Wheel Assembly

Model :99760 BD 26/30

	Number	Description	Qty Req.
1	49206010	DRIVE WHEEL WITH KNOB	1
2	47650020	FOLDING RUBBER HOSE	1
3	20611110	COVER, FRONT FRAME	1
4	46106200	FRONT FRAME	1
5	60111006	SCREW	4
6	60221003	NUT, LOCK	2
7	60100802	SCREW	2
8	61442501	BEARING SUPPORT	1
9	20609050	SHAFT, DRIVE WHEEL	1
10	60905051	KEY	1
11	60514001	WASHER, CONICAL	1
12	60211403	NUT	1
13	62407001	JOINT, UNIVERSAL	1
14	60110812	SCREW	1
15	60220801	NUT, LOCK	1
18	60242001	NUT	1
19	60321001	WASHER	1
20	20609030	SUPPORT, STEERING WHEEL	1
21	60704010	PIN, SPLIT	1
22	61412001	BEARING	2
23	20609040	SHAFT, PINION	1
24	60111006	SCREW	6
25	60510006	WASHER, LOCK	6
26	60311001	WASHER	6
27	61520001	JOINT, CHAIN	1
28	61510001	CHAIN	1
29	60110807	SCREW	2
30	60508001	WASHER, LOCK	3
31	60180806	SCREW	2
32	60508003	WASHER, LOCK	2
33	46820010	CROWN GEAR, STEERING WHEEL	1
34	20609060	TIGHTENER, PIN CHAIN	1
35	46860010	TIGHTENER, PINION CHAIN	1
36	60309002	WASHER	1
37	60110807	SCREW	1
38	61413005	BEARING	2
39	61252801	OIL SEAL	1
40	61424501	BEARING	1
41	20609010	SUPPORT, FRONT WHEEL	1
42	61238621	OIL SEAL	1
43	46524020	WHEEL	1
44	61412502	BEARING	1
45	20609020	WASHER	1
46	60221601	NUT, LOCK	1
47	60220801	NUT, LOCK	1
48	20609070	CAM, WHEEL	1
49	20609080	SUPPORT, MICROSWITCH	1
50	63409005	MICROSWITCH	1
51	63499005	PROTECTION CAP	1
52	60110403	SCREW S.S.	3
53	62040004	NUT COVER	1
54	63140002	FAIRLEAD	1
56	63120004	LEVER, CONNECTOR	1
57	60190418	SCREW	1
58	63110015	CONNECTOR	1
59	63140001	POLARIZER ASSEMBLY	1
60	49802023	CABLES	1
61	60221002	NUT, LOCK	2
62	60170504	SCREW	4
63	62406016	INSERT	2
64	60428002	SHIM	3
65	60504001	WASHER, LOCK	1

Steering Wheel Assembly, Model:99760 BD 26/30

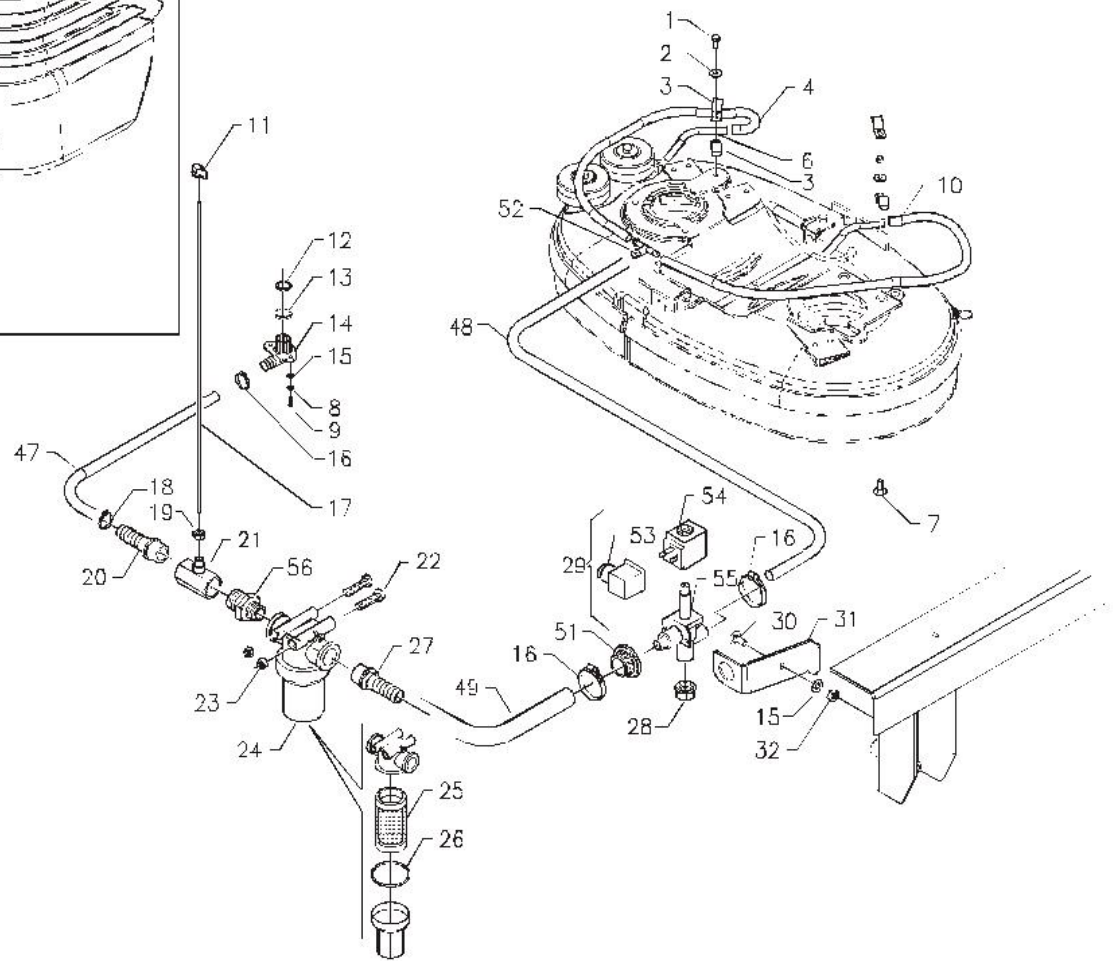
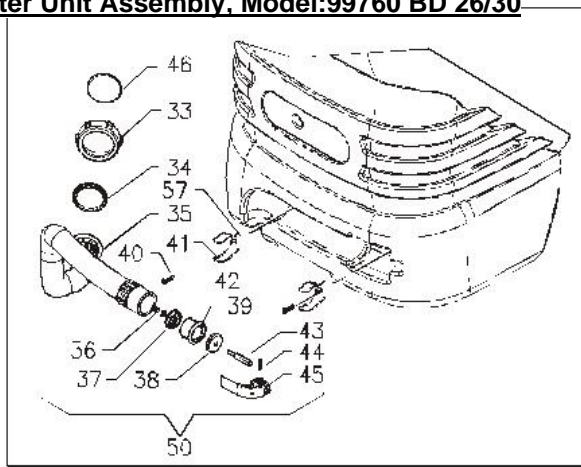


Water Unit Assembly

Model :99760 BD 26/30

	Number	Description	Qty Req.
1	60110608	SCREW	1
2	60306007	WASHER	1
3	61940001	CLIP FOR PIPE	5
4	47630220	HOSE	1
6	20302110	WATER OUTLET, PIPE	2
7	60100601	SCREW	1
8	60506004	WASHER, LOCK	1
9	60110608	SCREW	1
10	47630230	HOSE	1
11	61810010	KNOB, ADJUSTMENT	1
12	20310060	COVER, FITTING	1
13	62370004	GASKET	1
14	20310070	FITTING, FLANGED	1
15	60306007	WASHER	2
16	61930002	WRENCH, CLAMP HOSE	3
17	20610020	ROD, SOLUTION VALVE CONTROL	1
18	61930008	CLAMP, HOSE WRENCH	1
19	60210608	NUT	1
20	62340100	FITTING, STRAIGHT	1
21	62310002	BODY, SOLUTION VALVE	1
22	60110834	SCREW	2
23	60220801	NUT, LOCK	2
24	47900020	FILTER	1
25	47900030	CARTRIDGE, FILTER	1
26	47900040	GASKET, FILTER	1
27	62340080	FITTING, STRAIGHT	1
28	62030003	CAP	1
29	47533010	VALVE, SOLENOID	1
30	60100601	SCREW	1
31	20601020	SUPPORT, SOLENOID VALVE	1
32	60220601	NUT, LOCK	1
33	62340090	RING NUT, HOSE EXHAUST	1
34	20610060	FLANGE, HOSE EXHAUST	1
35	47610240	EXHAUST, HOSE	1
36	60220604	NUT, LOCK	1
37	20110140	PLUG, BOTTOM EXHAUST	1
38	20110130	PLUG, COVER EXHAUST	1
39	20610040	PLUG, RUBBER, EXHAUST	1
40	60180603	SCREW S.S.	2
41	47230080	COUPLER, SPRING MUFF	2
42	60306008	SCREW S.S.	1
43	20110170	PLUG, TIE ROD EXHAUST	1
44	60604004	PIN, PARALLEL S.S.	1
45	61820003	LEVER, EXHAUST PLUG	1
46	47800040	GASKET, HOSE EXHAUST	1
47	47630250	HOSE	1
48	47630240	HOSE	1
49	47630210	HOSE	1
50	V0610001	EXHAUST PLUG ASSEMBLY	1
51	62370001	COLLAR	1
52	62320010	T-FITTING	1
53	47592010	CONNECTOR	1
54	47523010	COIL	1
55	47512020	BODY, SOLENOID VALVE	1
56	62360020	NIPPLE, REDUCED	1
57	62010006	CAP	1

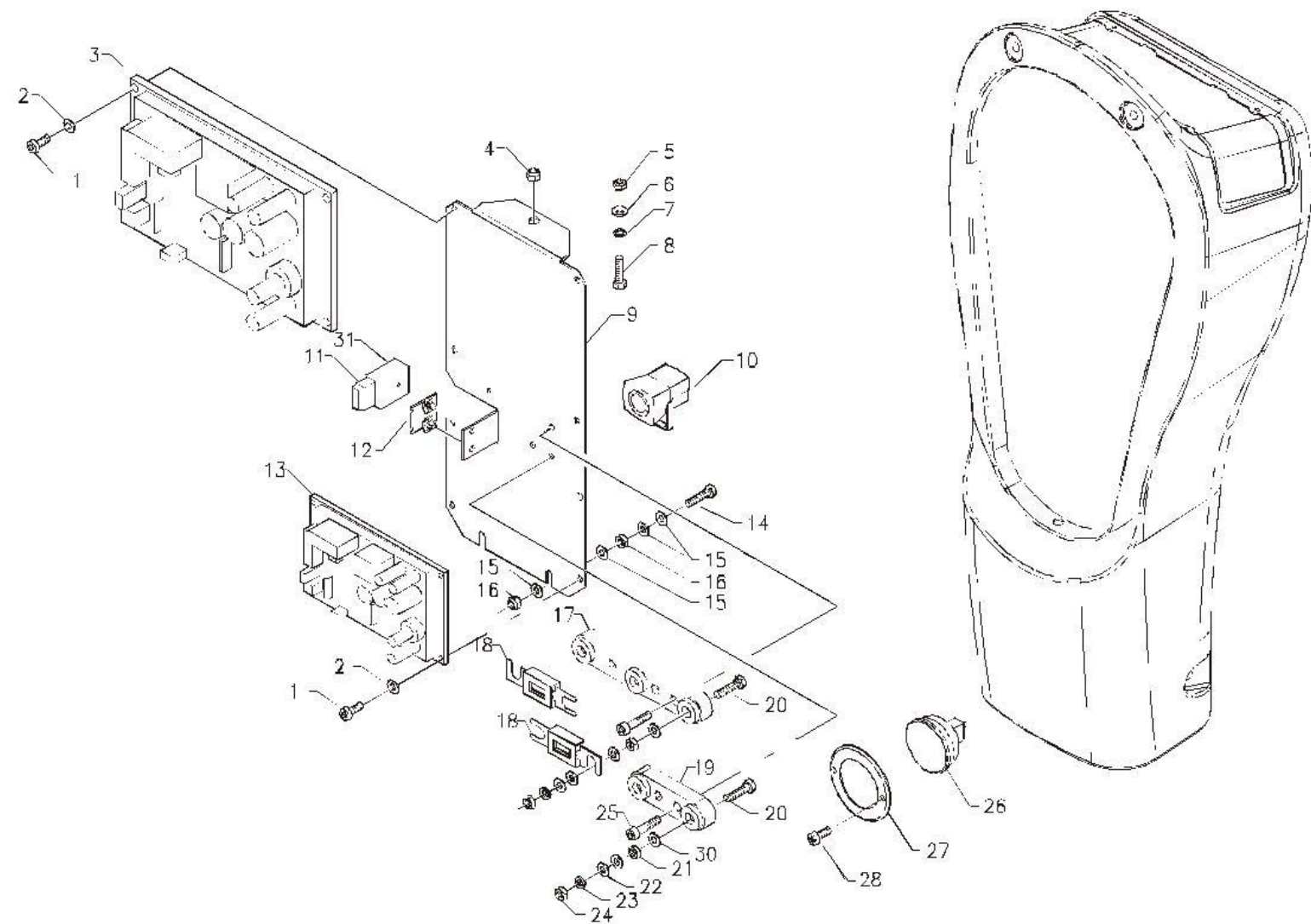
Water Unit Assembly, Model:99760 BD 26/30



Electrical Layout Assembly

Model :99760 BD 26/30

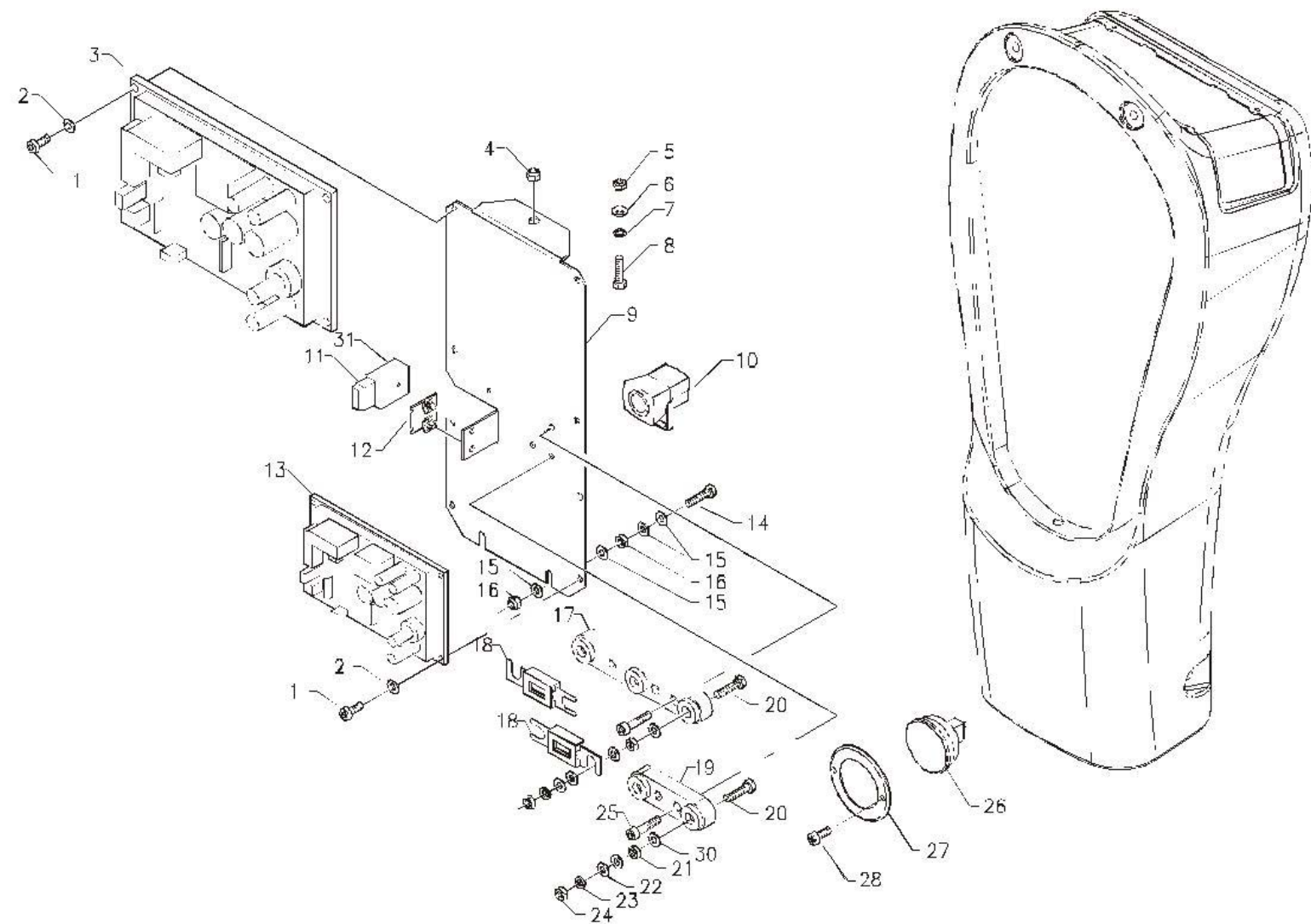
	Number	Description	Qty Req.
1	60140404	SCREW	2
2	60504001	WASHER, LOCK	2
3	49704010	CHECK CARD CONTROL	1
4	60220801	NUT, LOCK	1
5	60210805	NUT	1
6	60309002	WASHER	1
7	60508004	WASHER, CONICAL	1
8	60110807	SCREW	1
9	20612010	PANEL	1
10	63709003	HORN	1
11	62800301	FUSE	1
12	63717002	FIXING PLAQUE	1
13	49701040	CHOPPER CARD, STANDARD	1
14	60110617	SCREW	1
15	60306007	WASHER	4
16	60220601	NUT, LOCK	2
17	62800003	FUSEHOLDER, DOUBLE	1
18	62808001	FUSE, LEMALLAR	2
19	62800004	FUSEHOLDER, SINGLE	1
20	60110812	SCREW	2
21	60210804	NUT, BRASS	2
22	60308005	WASHER, BRASS	4
23	60508001	WASHER, LOCK	2
24	60210805	NUT	2
25	60130506	SCREW	2
26	63310030	LIGHT	1
27	20612030	FLANGE	1
28	60190423	SCREW	2
30	60508002	WASHER, LOCK	2
31	62800001	FUSEHOLDER, 1-WAY	1

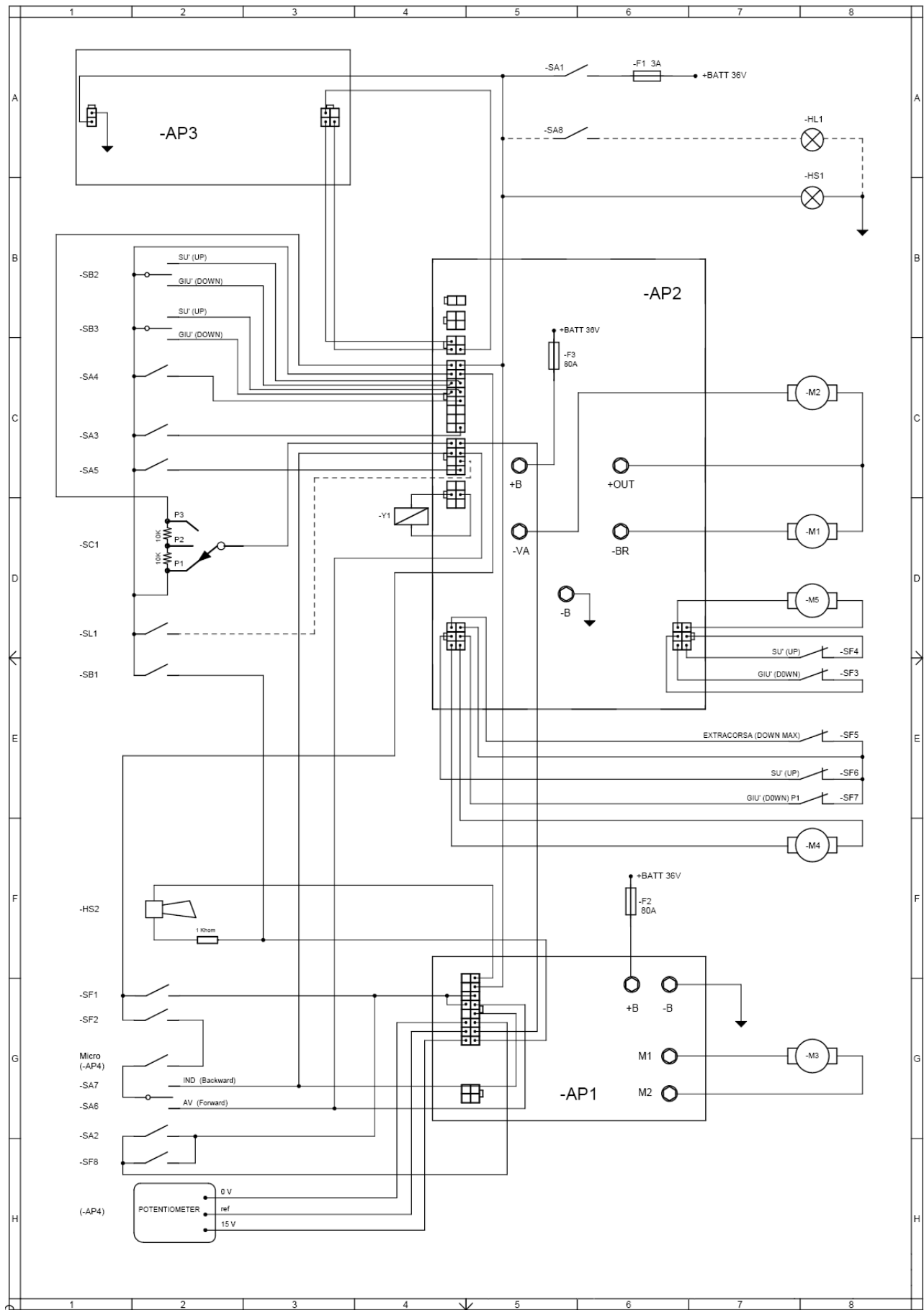


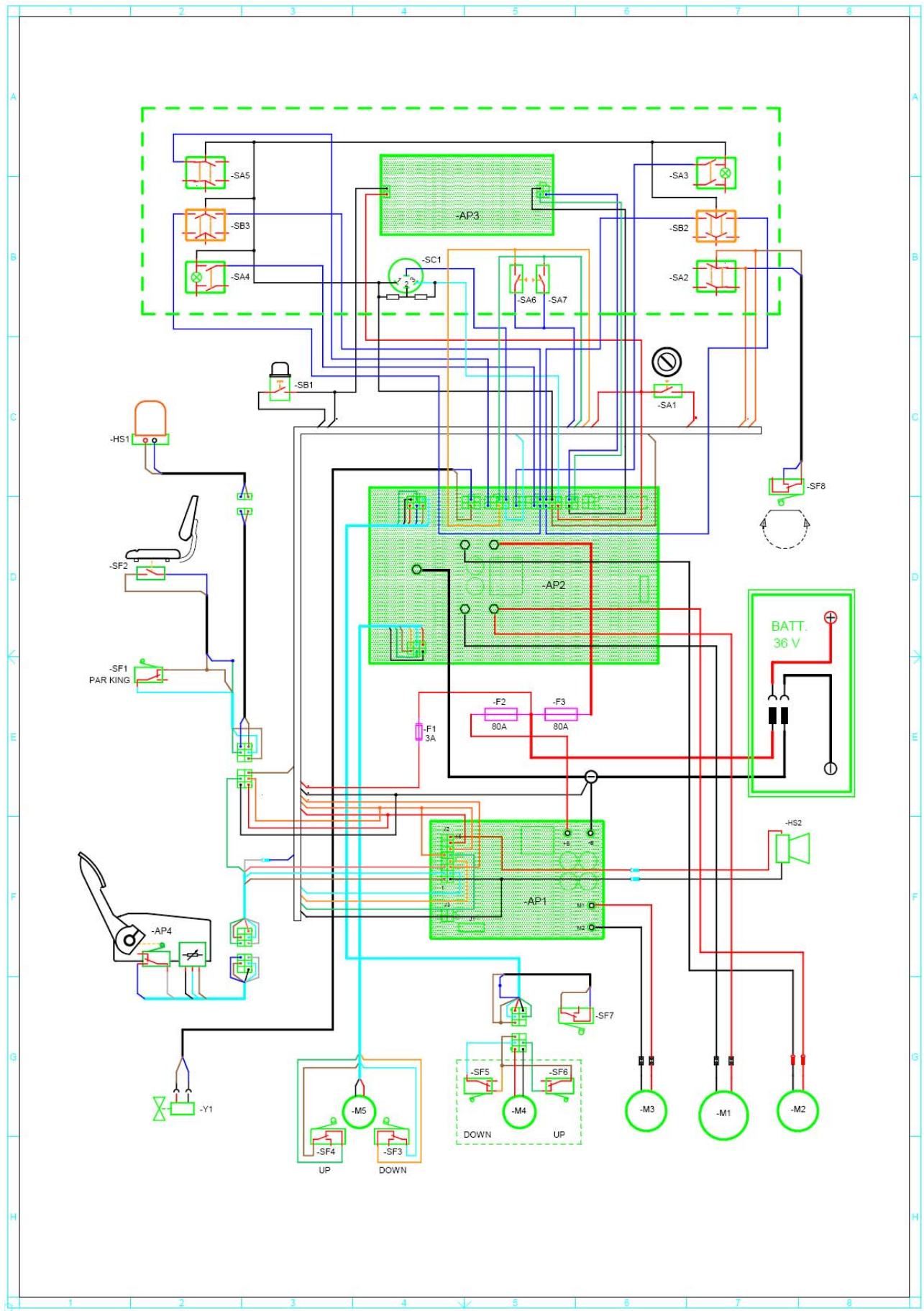
Electrical Layout Assembly

Model :99760 BD 26/30

	Number	Description	Qty Req.
1	60140404	SCREW	2
2	60504001	WASHER, LOCK	2
3	49704010	CHECK CARD CONTROL	1
4	60220801	NUT, LOCK	1
5	60210805	NUT	1
6	60309002	WASHER	1
7	60508004	WASHER, CONICAL	1
8	60110807	SCREW	1
9	20612010	PANEL	1
10	63709003	HORN	1
11	62800301	FUSE	1
12	63717002	FIXING PLAQUE	1
13	49701040	CHOPPER CARD, STANDARD	1
14	60110617	SCREW	1
15	60306007	WASHER	4
16	60220601	NUT, LOCK	2
17	62800003	FUSEHOLDER, DOUBLE	1
18	62808001	FUSE, LEMALLAR	2
19	62800004	FUSEHOLDER, SINGLE	1
20	60110812	SCREW	2
21	60210804	NUT, BRASS	2
22	60308005	WASHER, BRASS	4
23	60508001	WASHER, LOCK	2
24	60210805	NUT	2
25	60130506	SCREW	2
26	63310030	LIGHT	1
27	20612030	FLANGE	1
28	60190423	SCREW	2
30	60508002	WASHER, LOCK	2
31	62800001	FUSEHOLDER, 1-WAY	1





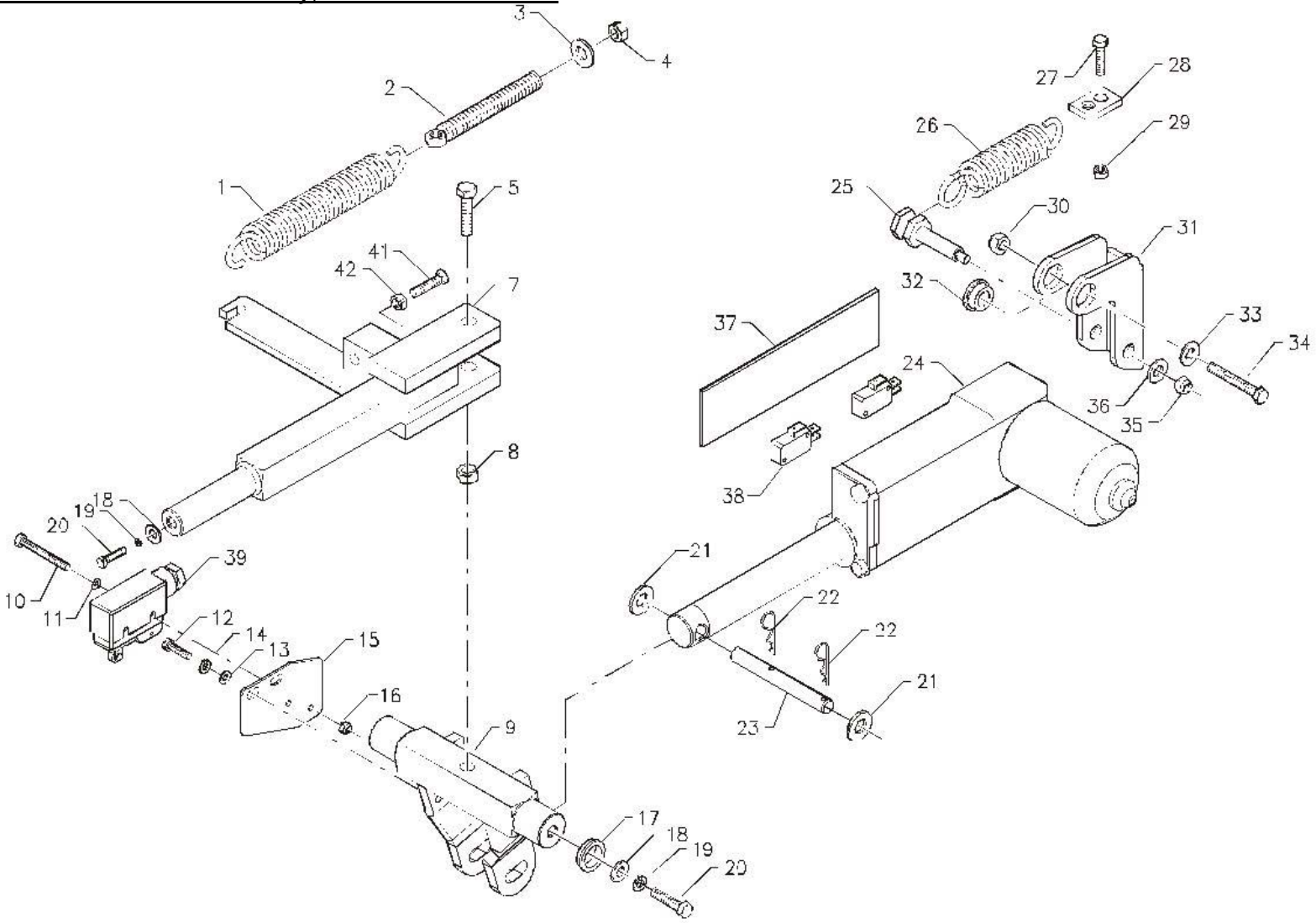


Brush Base Control Assembly

Model :99760 BD 26/30

	Number	Description	Qty Req.
1	47220120	SPRING, TRACTION	1
2	20603110	SPRING, TIE ROD	1
3	60309002	WASHER	1
4	60210810	NUT	1
5	60111025	SCREW	1
7	20603150	ARM, BRUSH BASE CONTROL	1
8	60221003	NUT, LOCK	1
9	20603070	SHAFT, BRUSH BASE CONTROL	1
10	60110411	SCREW S.S.	1
11	60304002	WASHER	1
12	60110604	SCREW	1
13	60306003	WASHER	1
14	60506004	WASHER, LOCK	1
15	20603130	SUPPORT, MICROSWITCH	1
16	60220401	NUT, LOCK	1
17	47106010	BUSHING	2
18	60308009	WASHER	2
19	60508001	WASHER, LOCK	2
20	60110807	SCREW	2
21	60310002	WASHER	2
22	60800003	CLIP	2
23	20603030	PIN, ACTUATOR BODY	1
24	46330010	ACTUATOR	1
25	20603090	PIN, ACTUATOR BODY	1
26	47220110	SPRING, TRACTION	1
27	60110807	SCREW	1
28	20603100	SPRING, COUPLER PRESSURE	1
29	60220801	NUT, LOCK	1
30	60221002	NUT, LOCK	1
31	20603080	ROCKER ARM	1
32	47106020	BUSHING	2
33	60311001	WASHER	1
34	60111020	SCREW	1
35	60220601	NUT, LOCK	1
36	60306007	WASHER	1
37	63802001	SUPPORT, PLATE	1
38	63409020	MICROSWITCH, ACTUATOR	2
39	63409005	MICROSWITCH	1
41	60101004	SCREW	1
42	60211001	NUT	1

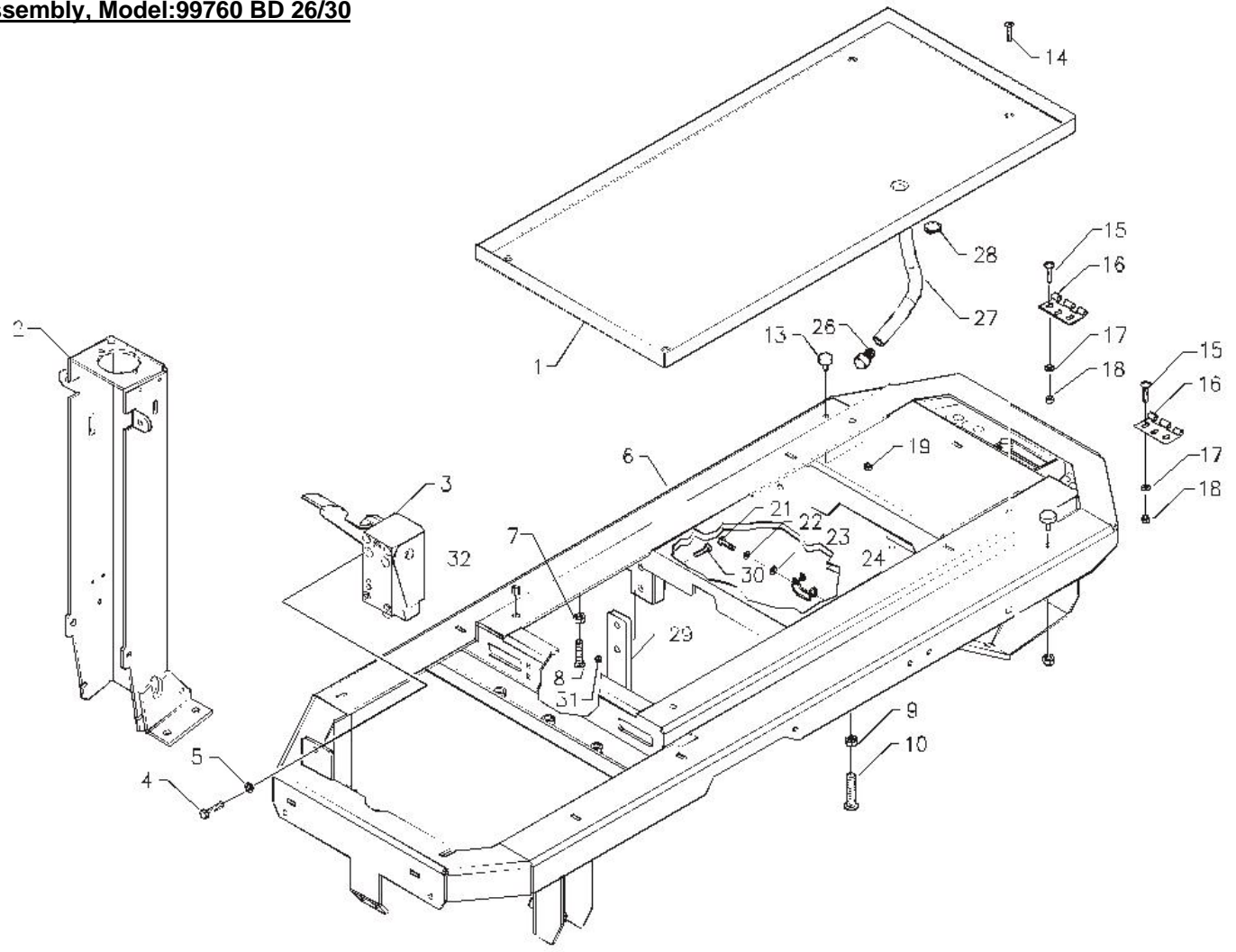
Brush Base Control Assembly, Model:99760 BD 26/30



Frame Assembly

Model :99760 BD 26/30

	Number	Description	Qty Req.
1	48006010	BASE BATTERY	1
2	46106200	FRONT FRAME	1
3	63416001	PEDAL DRIVE CONTROL	1
4	60110807	SCREW	1
5	60508001	WASHER, LOCK	1
6	46106300	FRAME	1
7	60211001	NUT	1
8	60101004	SCREW	1
9	60211001	NUT	1
10	60101006	SCREW	1
13	62405001	CAP, VIBRATION-DAMPING	2
14	60180603	SCREW S.S.	4
15	60100601	SCREW	2
16	62409002	HINGE	2
17	60306007	WASHER	2
18	60220601	NUT, LOCK	2
19	60210608	NUT	1
21	60110604	SCREW	1
22	60506002	WASHER, LOCK	1
23	60306007	WASHER	1
24	47230060	COUPLING SPRING	1
26	20701080	CAP	1
27	47630060	HOSE	1
28	61910004	CLAMP	1
29	20601030	STOP	1
30	60111009	SCREW	1
31	60221002	NUT, LOCK	1
32	62406016	INSERT	1

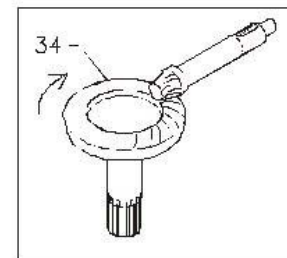
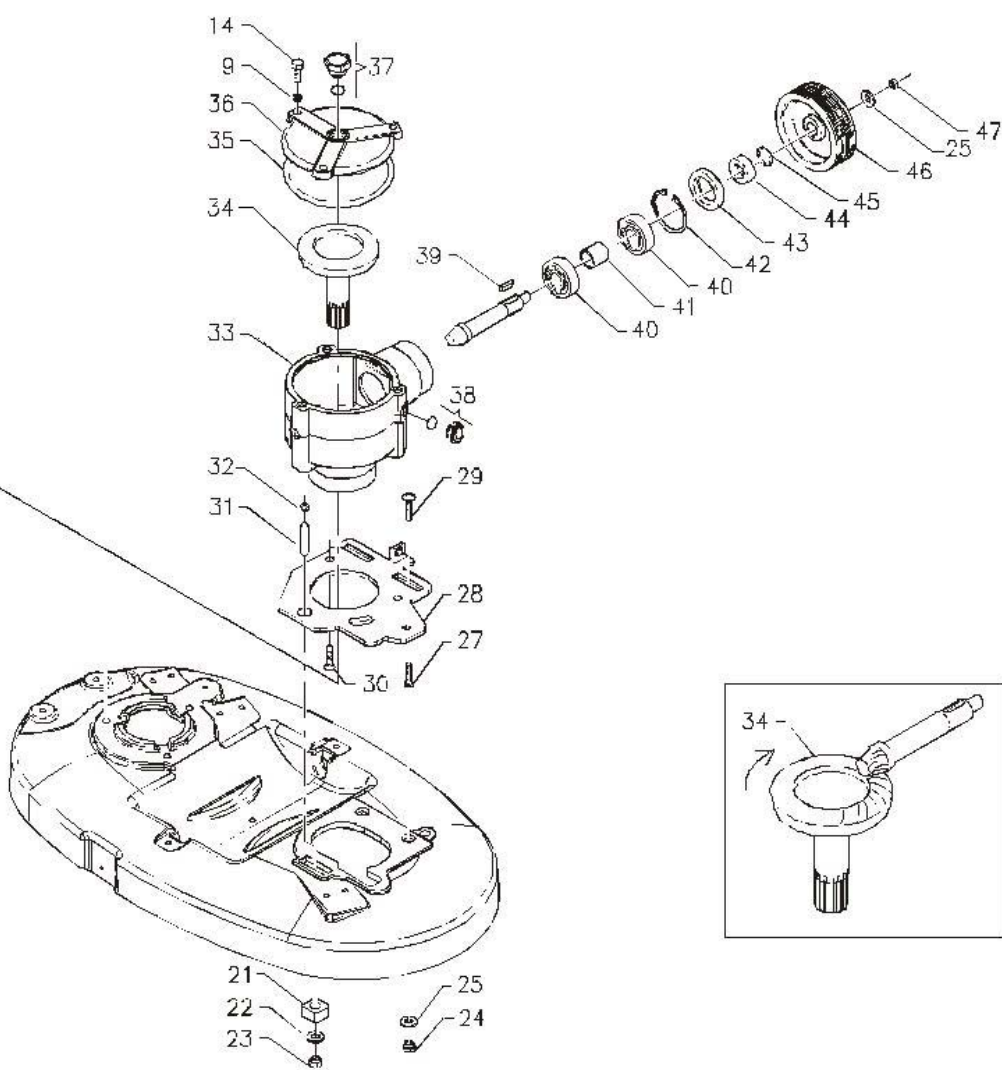
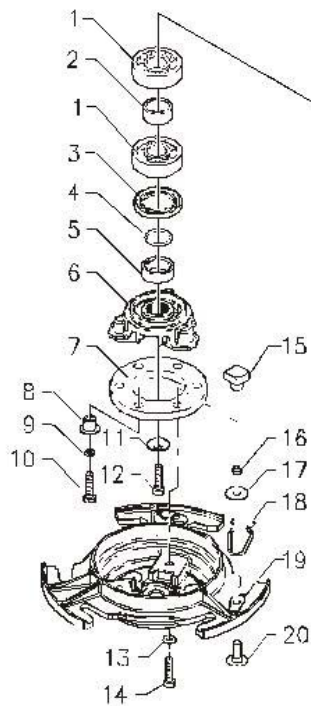
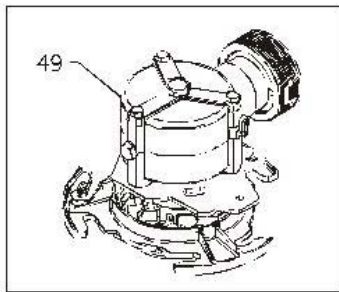


Reduction Gear Assembly Left

Model :99760 BD 26/30

	Number	Description	Qty Req.
1	61412501	BEARING	2
2	47003020	SPACER	1
3	61235521	SEAL, OIL	1
4	61302501	O-RING	1
5	47003010	SPACER, CHROMATED	1
6	20302030	FLANGE, REDUCTION GEAR	1
7	20302050	COUPLING, FLEXIBLE	1
8	47103020	BUSHING	3
9	60508001	WASHER, LOCK	4
10	60110809	SCREW	3
11	60510005	WASHER, CONICAL	1
12	60131004	SCREW	1
13	60508004	WASHER, CONICAL	3
14	60110809	SCREW	4
15	47103010	BUSHING	3
16	60220601	NUT, LOCK	1
17	60306010	WASHER	1
18	47230050	BLOCKING SPRING, BRUSH	1
19	20302040	PLATE BRUSHHOLDER	1
20	60100601	SCREW	1
21	47103040	BUSHING	1
22	60308009	WASHER	1
23	60220801	NUT, LOCK	1
24	60221002	NUT, LOCK	1
25	60311001	WASHER	2
27	60100601	SCREW	1
28	20302170	PLAQUE, REDUCTION GEAR	1
29	60101004	SCREW	1
30	60180802	SCREW	1
31	60160803	DOWEL	1
32	60210805	NUT	1
33	20302010	GEAR BOX, REDUCTION	1
34	46850090	BEVEL GEAR PAIR LEFT	1
35	61310701	O-RING	1
36	20302020	GEAR BOX, COVER REDUCTION	1
37	62350003	CAP WITH BREATHER	1
38	62350004	PLUG, OIL LEVER	1
39	60905041	KEY	1
40	61411702	BEARING	2
41	47003030	SPACER	1
42	61114701	RING, SEEGER	1
43	61230471	SEAL, OIL	1
44	47003040	SPACER, CHROMATED	1
45	61301701	O-RING	1
46	46920100	DRIVEN PULLEY	1
47	60221002	NUT, LOCK	1
49	V6603002	REDUCTION GEAR, LEFT	1

Reduction Gear Assembly Left, Model:99760 BD 26/30

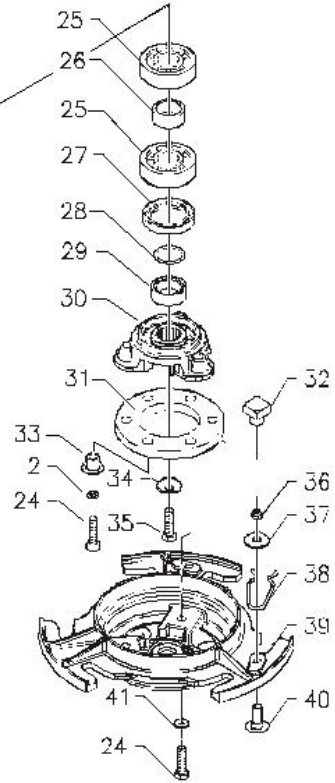
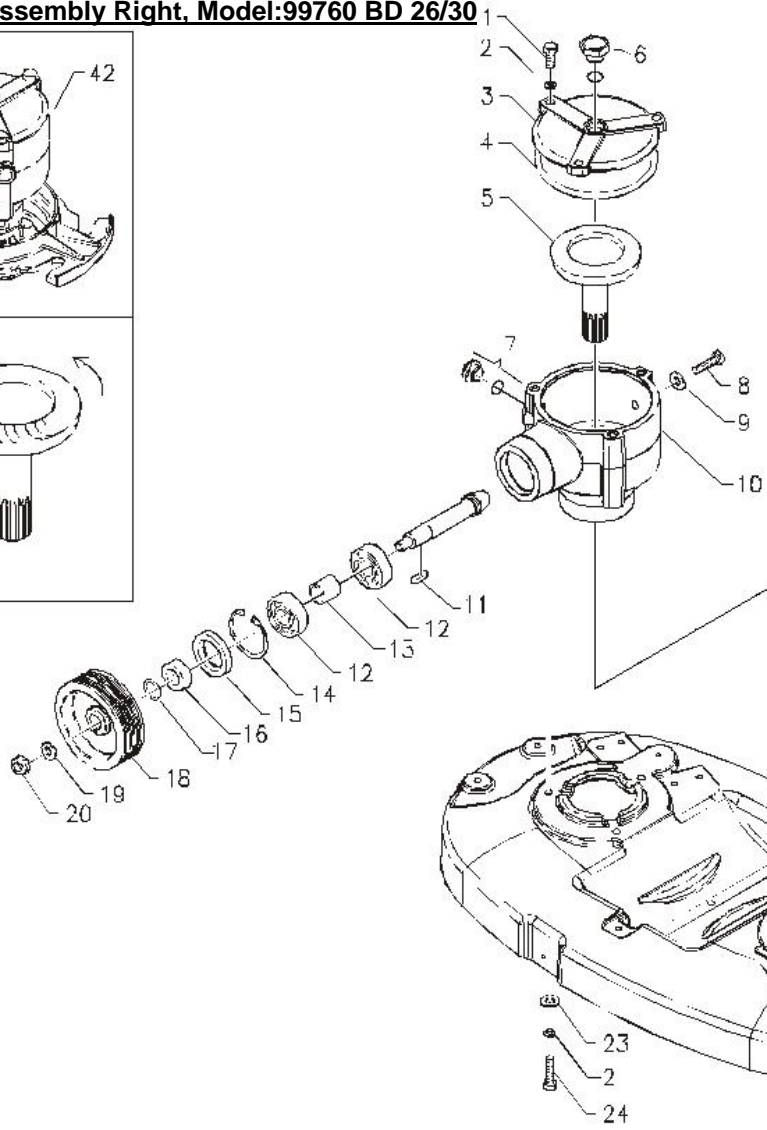
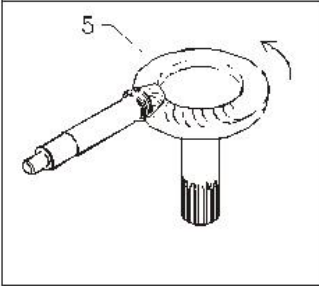
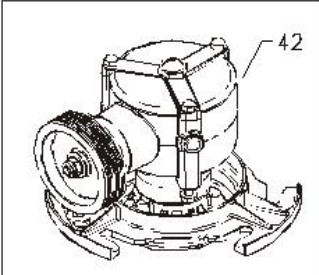


Reduction Gear Assembly Right

Model :99760 BD 26/30

	Number	Description	Qty Req.
1	60110809	SCREW	3
2	60508001	WASHER, LOCK	5
3	20302020	GEAR BOX, COVER REDUCTION	1
4	61310701	O-RING	1
5	46850060	BEVEL GEAR PAIR RIGHT	1
6	62350003	CAP WITH BREATHER	1
7	62350004	PLUG, OIL LEVER	1
8	60111003	SCREW	1
9	60310001	WASHER, ALUMINUM	1
10	20302010	GEAR BOX, REDUCTION	1
11	60905041	KEY	1
12	61411702	BEARING	2
13	47003030	SPACER	1
14	61114701	RING, SEEGER	1
15	61230471	SEAL, OIL	1
16	47003040	SPACER, CHROMATED	1
17	61301701	O-RING	1
18	46920100	DRIVEN PULLEY	1
19	60311001	WASHER	1
20	60221002	NUT, LOCK	1
23	60309002	WASHER	1
24	60110809	SCREW	3
25	61412501	BEARING	2
26	47003020	SPACER	1
27	61235521	SEAL, OIL	1
28	61302501	O-RING	1
29	47003010	SPACER, CHROMATED	1
30	20302030	FLANGE, REDUCTION GEAR	1
31	20302050	COUPLING, FLEXIBLE	1
32	47103010	BUSHING	1
33	47103020	bushing	1
34	60510005	WASHER, CONICAL	1
35	60131004	SCREW	1
36	60220601	NUT, LOCK	1
37	60306010	WASHER	1
38	47230050	BLOCKING SPRING, BRUSH	1
39	20302040	PLATE BRUSHHOLDER	1
40	60100601	SCREW	1
41	60508004	WASHER, CONICAL	1
42	V6603001	REDUCTION GEAR, RIGHT	1

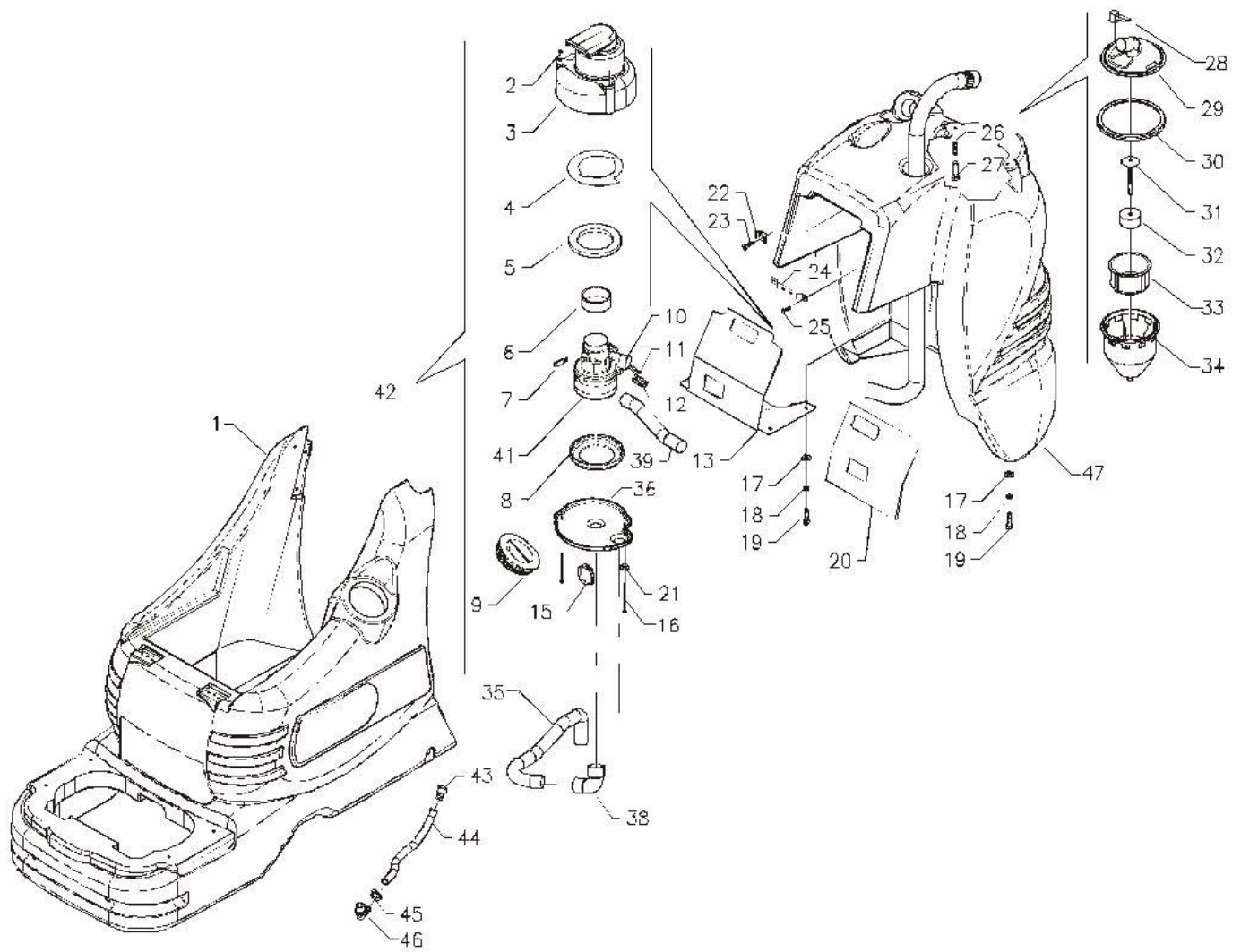
Reduction Gear Assembly Right, Model:99760 BD 26/30



Tank and Vacuum Assembly

Model :99760 BD 26/30

	Number	Description	Qty Req.
1	47306010	SOLUTION TANK	1
2	60220601	NUT, LOCK	1
3	20610120	VACUUM MOTOR CASING	1
4	20110080	PROTECTION RING, INNER	1
5	48106020	VIBRATION-DAMPING	1
6	48103010	SEPARATOR VACUUM MOTOR	1
7	63608111	CARBON BRUSH MOTOR	2
8	47804010	GASKET, VACUUM MOTOR	1
9	62350001	CAP, SOLUTION TANK	1
10	61910002	CLAMP	2
11	63130001	CONNECTOR CONTACT	2
12	63110004	CONNECTOR RED	2
13	20610110	SUPPORT, VACUUM MOTOR	1
15	61930005	WRENCH, CLAMP HOSE	1
16	60110636	SCREW	2
17	60306007	WASHER	2
18	60506004	WASHER, LOCK	2
19	60110608	SCREW	2
20	48106020	DEADENING VACUUM SUPPORT	1
21	60306007	WASHER	2
22	63714001	SUPPORT, SADDLE	1
23	60190424	SCREW	1
24	20610030	BLADE, HOSE FIXING	1
25	60190424	SCREW	1
26	47210080	SPRING, COMPRESSION S.S.	1
27	60110618	SCREW S.S.	1
28	61820002	LEVER, BLOCKING	1
29	20110040	CAP, FILTER	1
30	47800010	CAP, GASKET FILTER	1
31	20110060	ROD WITH PLATE	1
32	20110070	FLOAT	1
33	47900010	FLOAT, FILTER	1
34	20110050	PROTECTION, FILTER	1
35	47610150	HOSE, VACUUM	1
36	20110130	PLUG, COVER EXHAUST	1
38	62320020	FITTING, BENT	1
39	47610260	HOSE	1
41	49330070	VACUUM MOTOR	1
42	V0610005	VACUUM MOTOR ASSEMBLY	1
43	20701080	CAP	1
44	47630490	HOSE	1
45	61930003	CLAMP	1
46	62340020	FITTING, BENT	1
47	47306020	TANK, RECOVERY	1

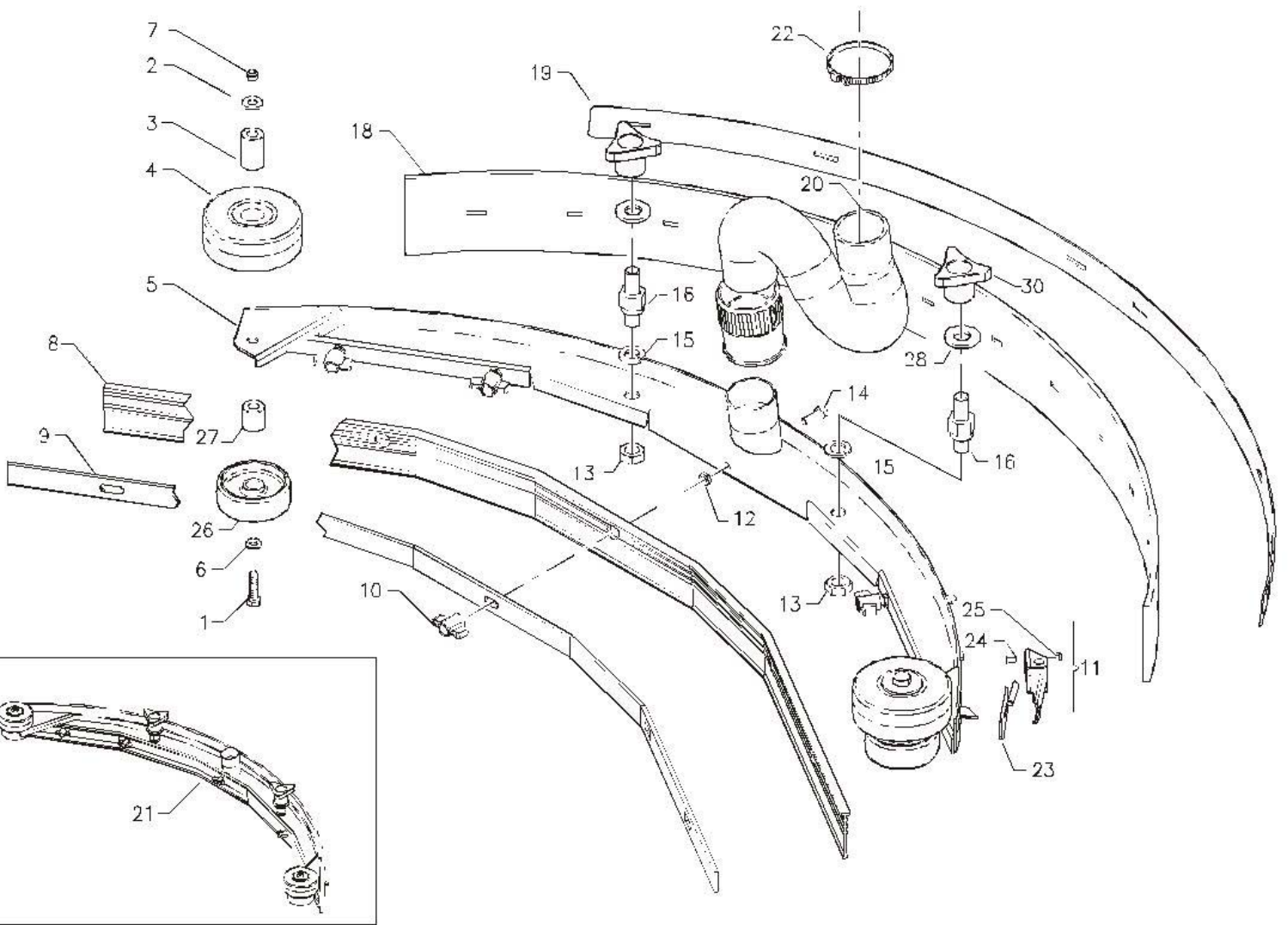


Squeegee Assembly

Model :99760 BD 26/30

	Number	Description	Qty Req.
1	60110835	SCREW S.S.	2
2		WASHER	2
3	47101040	BUSHING	2
4	46541010	WHEEL, BUMPER GREY	2
5	48206100	BODY, SQUEEGEE S.S.	1
6		WASHER	2
7	60220803	NUT, LOCK S.S.	2
8	48403020	SQUEEGEE, RUBBER FRONT	1
9	48306110	BLADE, RUBBER FRONT S.S.	1
10	61706004	NUT, WING S.S.	4
11	62200001	HOOK	1
12	60210601	NUT S.S.	4
13	60211203	NUT S.S.	2
14	60110610	SCREW	4
15	60512005	WASHER, LOCK	2
16		BOLT, STUD	2
16		BOLT, STUD	2
18	48406100	SQUEEGEE, REAR RUBBER	1
19	48306100	BLADE, REAR RUBBER	1
20	47610120	HOSE, SQUEEGEE	1
21	V8206120	SQUEEGEE ASSEMBLY, IRON	1
22	61910004	CLAMP	1
23	20104010	ADJUSTER, REAR BLADE	1
24	60170303	SCREW S.S.	1
25	60220301	NUT, LOCK	1
26	46511060	WHEEL, BUMPER GREY	2
27	47106060	BUSHING	2
28	60313003	WASHER S.S.	2
30	61712002	HANDWHEEL	2

Squeegee Assembly, Model:99760 BD 26/30

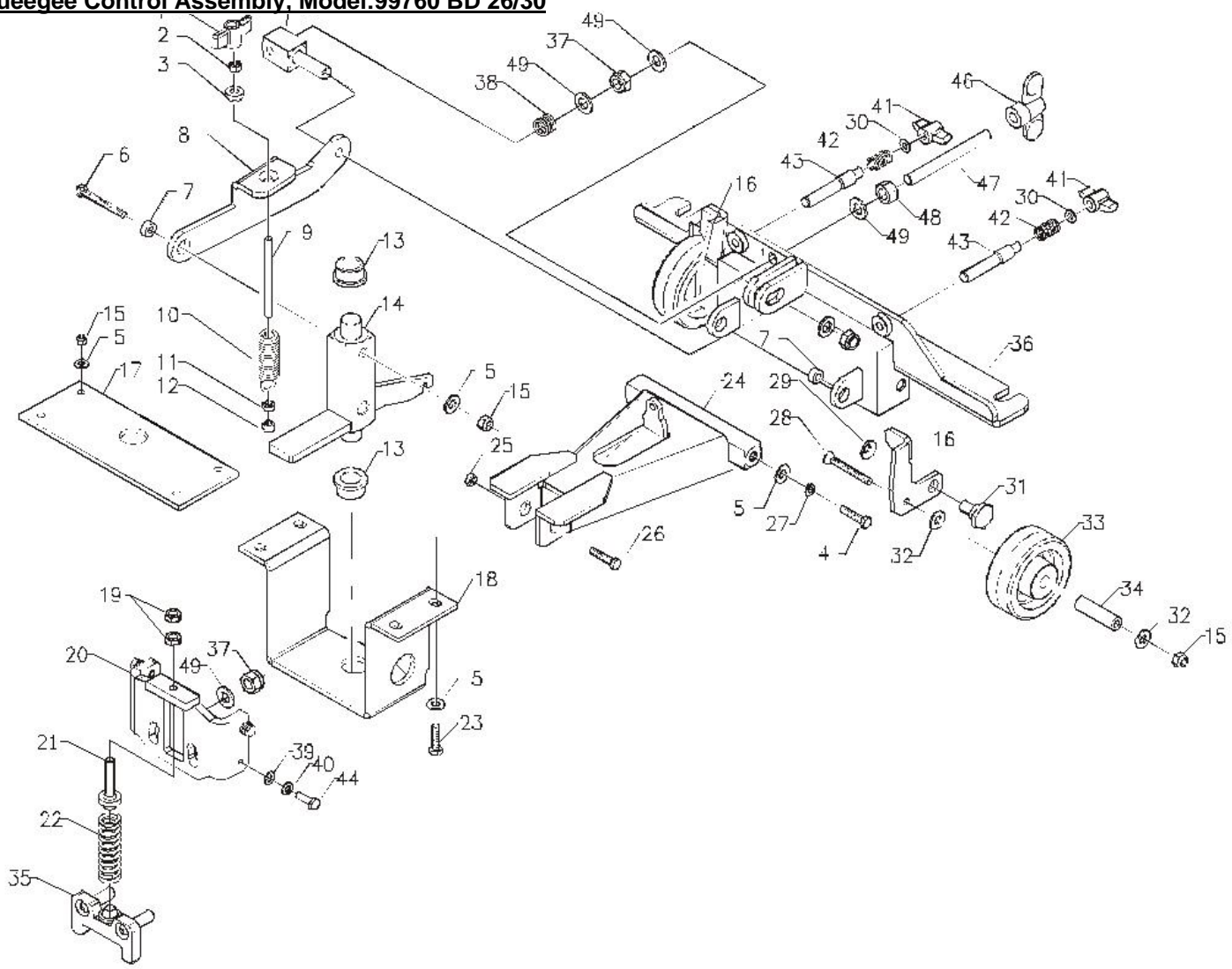


Squeegee Control Assembly

Model :99760 BD 26/30

	Number	Description	Qty Req.
1	61706003	NUT, WING	1
2	60210601	NUT S.S.	1
3	47106030	BUSHING	1
4	60110809	SCREW	1
5	60309002	WASHER	10
6	60110824	SCREW	1
7	47103080	BUSHING	3
8	20605120	ARM	1
9	20205040	TIE ROD	1
10	47220030	SPRING, TRACTION	1
11	60210607	NUT	1
12	60220601	NUT, LOCK	1
13	47103090	BUSHING	2
14	20605020	ARM JOINT	1
15	60220801	NUT, LOCK	6
16	20605050	SUPPORT, WHEEL	2
17	20301050	PLAQUE ARM JOINT	1
18	20601040	SUPPORT, ARM JOINT	1
19	60210805	NUT	2
20	20605170	SUPPORT, BRACKET	1
21	20605160	ADJUSTER	1
22	20605180	SPRING, COMPRESSION	1
23	60110811	SCREW	4
24	20605010	ARM, SQUEEGEE	1
25	60221201	NUT, LOCK	1
26	60111210	SCREW	1
27	60508001	WASHER, LOCK	1
28	60110829	SCREW	2
29	60510004	WASHER, CONICAL S.S.	2
30	60308007	WASHER S.S.	2
31	20305100	PIN, WHEEL SUPPORT	2
32	60309002	WASHER	4
33	46511030	WHEEL, RUBBER	2
34	47103140	BUSHING S.S.	2
35	20605150	COUPLER	1
36	20605130	SUPPORT, SQUEEGEE	1
37	60221003	NUT, LOCK	2
38	47210030	SPRING, COMPRESSION S.S.	1
39	60506005	WASHER, LOCK	1
40	60306003	WASHER	1
41	61708002	NUT, WING	2
42	47210100	SPRING, COMPRESSION	2
43	20305090	ADJUSTER, WHEEL	2
44	60110612	SCREW	1
45	20605140	ADJUSTER	1
46	61710003	HANDWHEEL	1
47	62406006	BAR	1
48	60211006	NUT, LOCK	1
49	60310004	WASHER	2

Squeegee Control Assembly, Model:99760 BD 26/30



Squeegee Control Geared Motor Assembly

Model :99760 BD 26/30

	Number	Description	Qty Req.
1	46200100	MOTOR, GEARED ASSEMBLY	1
2	60110617	SCREW	1
3	60220601	NUT, LOCK	1
9	60220601	NUT, LOCK	1
10	60110612	SCREW	1
11	61510002	CHAIN	1
12	60905051	KEY	1
13	60604005	PIN, PARALLEL	1
15	60506004	WASHER, LOCK	1
16	60110608	SCREW	1
17	60220401	NUT, LOCK	4
18	60304002	WASHER	8
19	63409005	MICROSWITCH	2
20	20605110	SUPPORT, MICROSWITCH	1
21	60110411	SCREW S.S.	4
23	60306010	WASHER	1
24	60210810	NUT	1
25	60130801	SCREW	1
26	20610080	PROTECTION, RUBBER	1
27	20605080	CONTROL ROLLER	1
28	63499005	CAP	2
29	60210601	NUT S.S.	1
30	61520001	JOINT, CHAIN	1

